



US00D787916S

(12) **United States Design Patent**
Yuan

(10) **Patent No.:** **US D787,916 S**

(45) **Date of Patent:** **** May 30, 2017**

(54) **SUPPORT BRACKET**

(71) Applicant: **Kevin Yuan**, Riverside, CA (US)

(72) Inventor: **Kevin Yuan**, Riverside, CA (US)

(73) Assignee: **Group-A Autosports, Inc.**, Norco, CA (US)

(**) Term: **14 Years**

(21) Appl. No.: **29/509,806**

(22) Filed: **Nov. 21, 2014**

(51) **LOC (10) Cl.** **08-05**

(52) **U.S. Cl.**
USPC **D8/354; D12/223**

(58) **Field of Classification Search**
USPC D8/339, 349, 350-353, 371, 373, 380,
D8/382-383, 394, 396, 404, 499;
D12/223

CPC A45C 13/26; A47F 11/10; A47F 5/0068;
A61C 15/043; A61C 19/003; A61C 7/14;
A61C 7/141; A61C 7/285; A61C 7/30;
F21V 21/02; G01F 15/14; G09F 3/204;
Y10T 16/4571

See application file for complete search history.

(56) **References Cited**

U.S. PATENT DOCUMENTS

D267,471 S * 1/1983 Mundorf D15/5
D276,410 S * 11/1984 Taylor D8/380

D311,859 S * 11/1990 Bohringer D8/380
D394,632 S * 5/1998 Miller D12/223
D478,544 S * 8/2003 McCoy D12/223
D547,255 S * 7/2007 Savage D12/223
D564,419 S * 3/2008 Clontz D12/114
D600,627 S * 9/2009 Toll D12/411
D638,280 S * 5/2011 Mcalonan D8/349
D652,365 S * 1/2012 Lindloff D12/223
D691,459 S * 10/2013 Waugh D8/354
D691,461 S * 10/2013 Waugh D8/354

* cited by examiner

Primary Examiner — Rosemary K Tarca

Assistant Examiner — Nathaniel D Buckner

(74) *Attorney, Agent, or Firm* — Steven N. Fox, Esq.

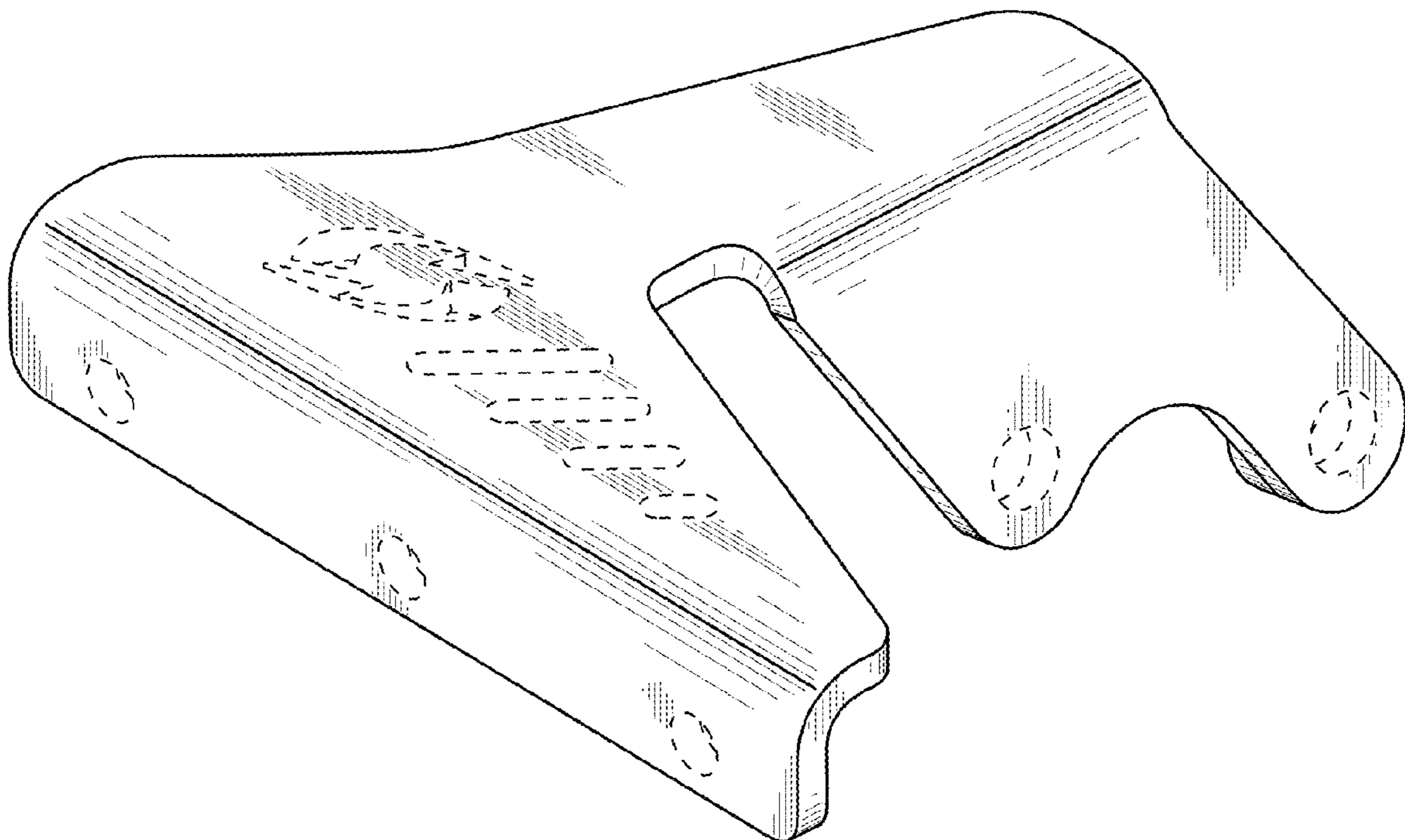
(57) **CLAIM**

The ornamental design for a support bracket, as shown and described.

DESCRIPTION

FIG. 1 is a front perspective view of a support bracket according to the present invention;
FIG. 2 is a top view thereof;
FIG. 3 is a front view thereof;
FIG. 4 is a rear view thereof;
FIG. 5 is a bottom view thereof;
FIG. 6 is a left side view thereof; and,
FIG. 7 is a right side view thereof.
The broken lines in the figures represent portions of the article which form no part of the claim.

1 Claim, 4 Drawing Sheets



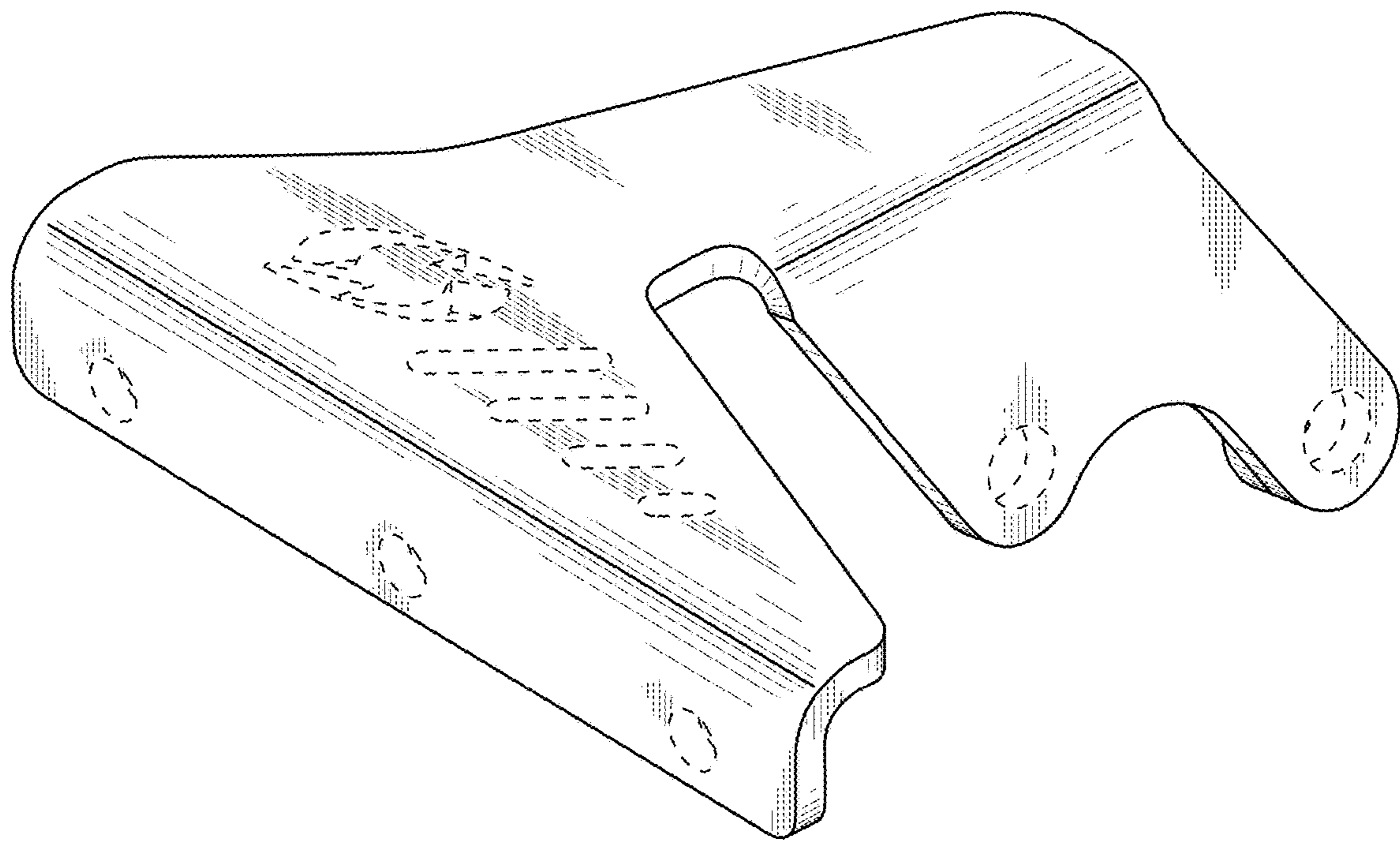


FIG. 1

FIG. 2

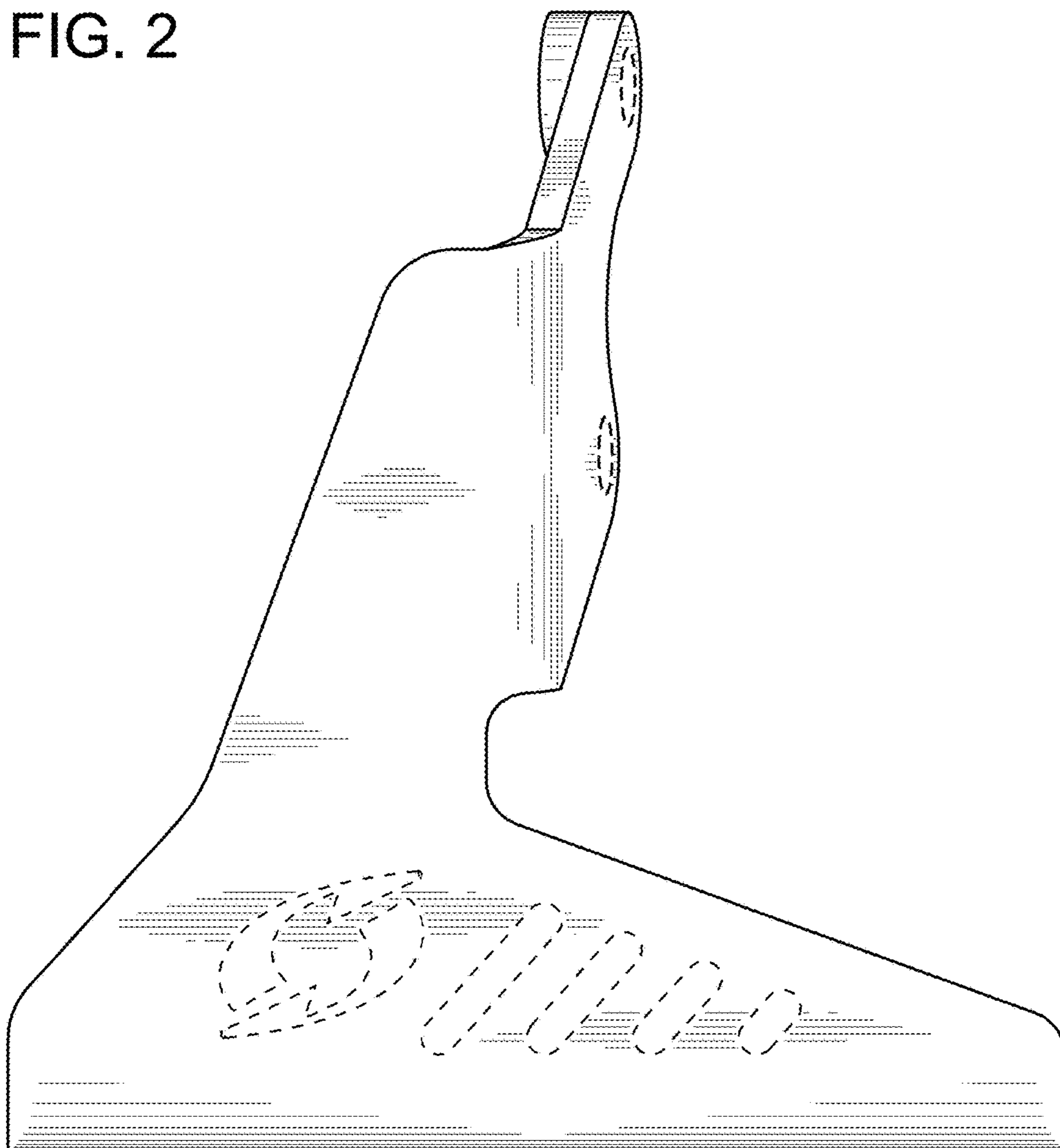


FIG. 3

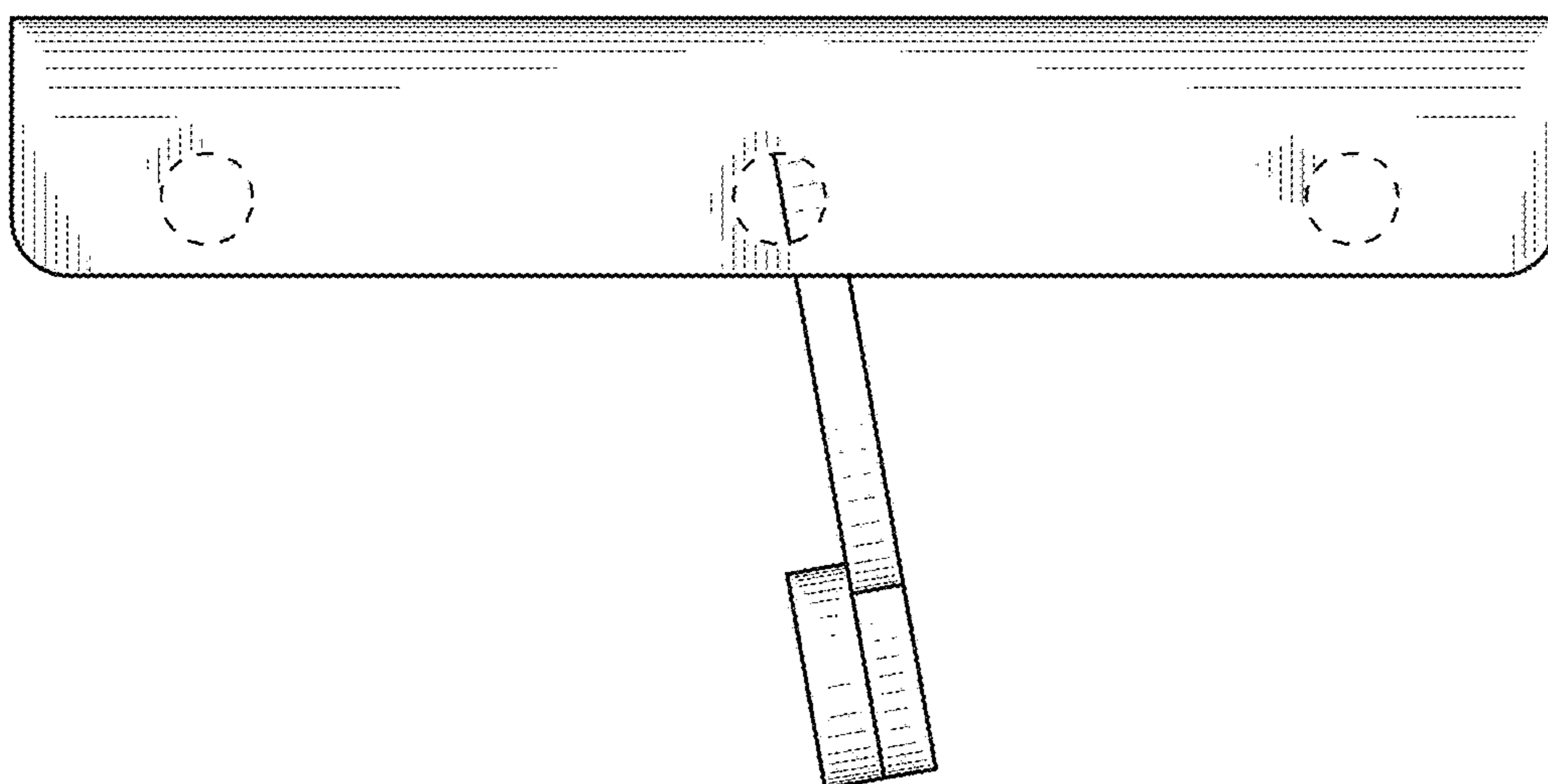


FIG. 4

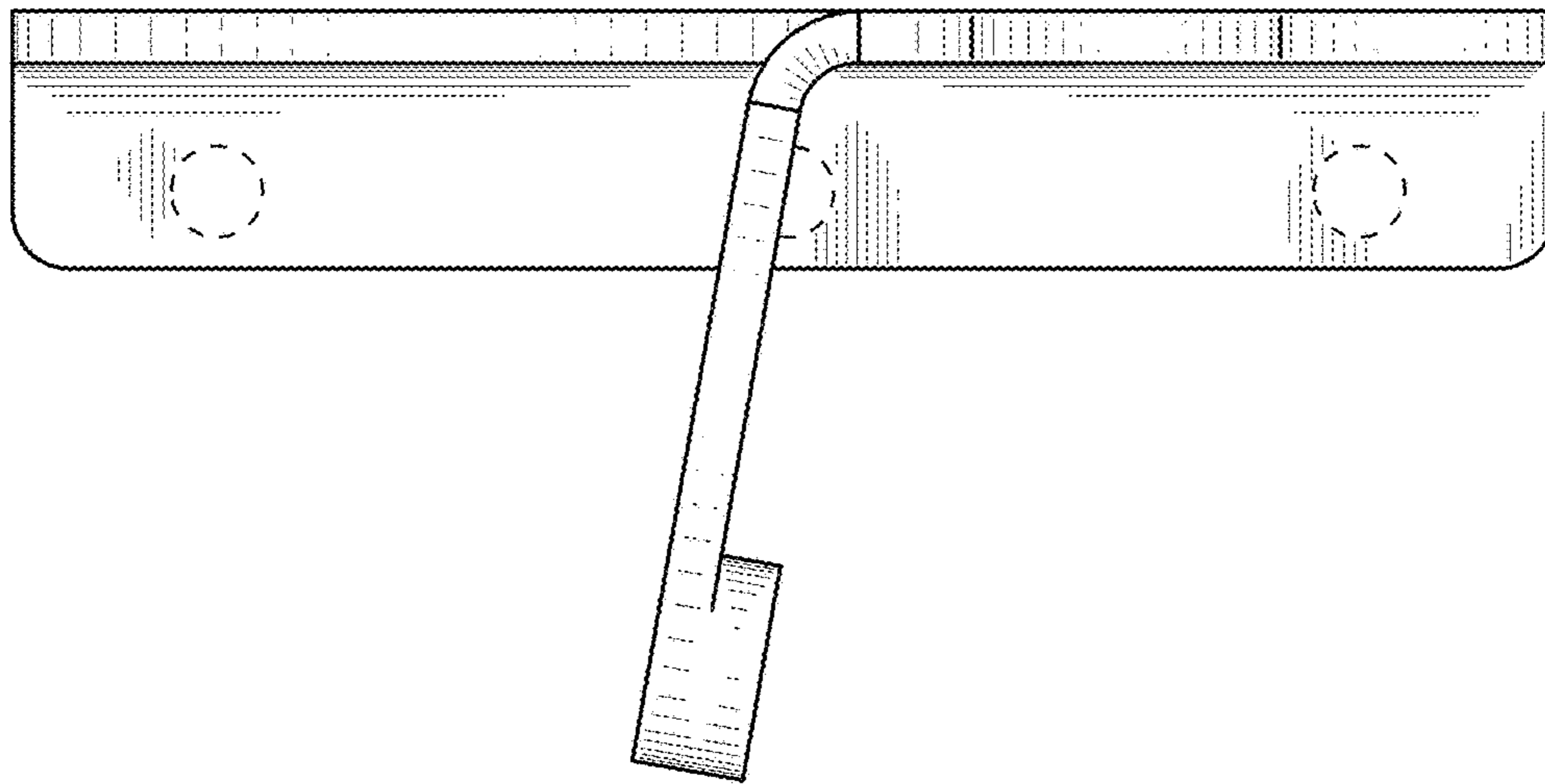


FIG. 5

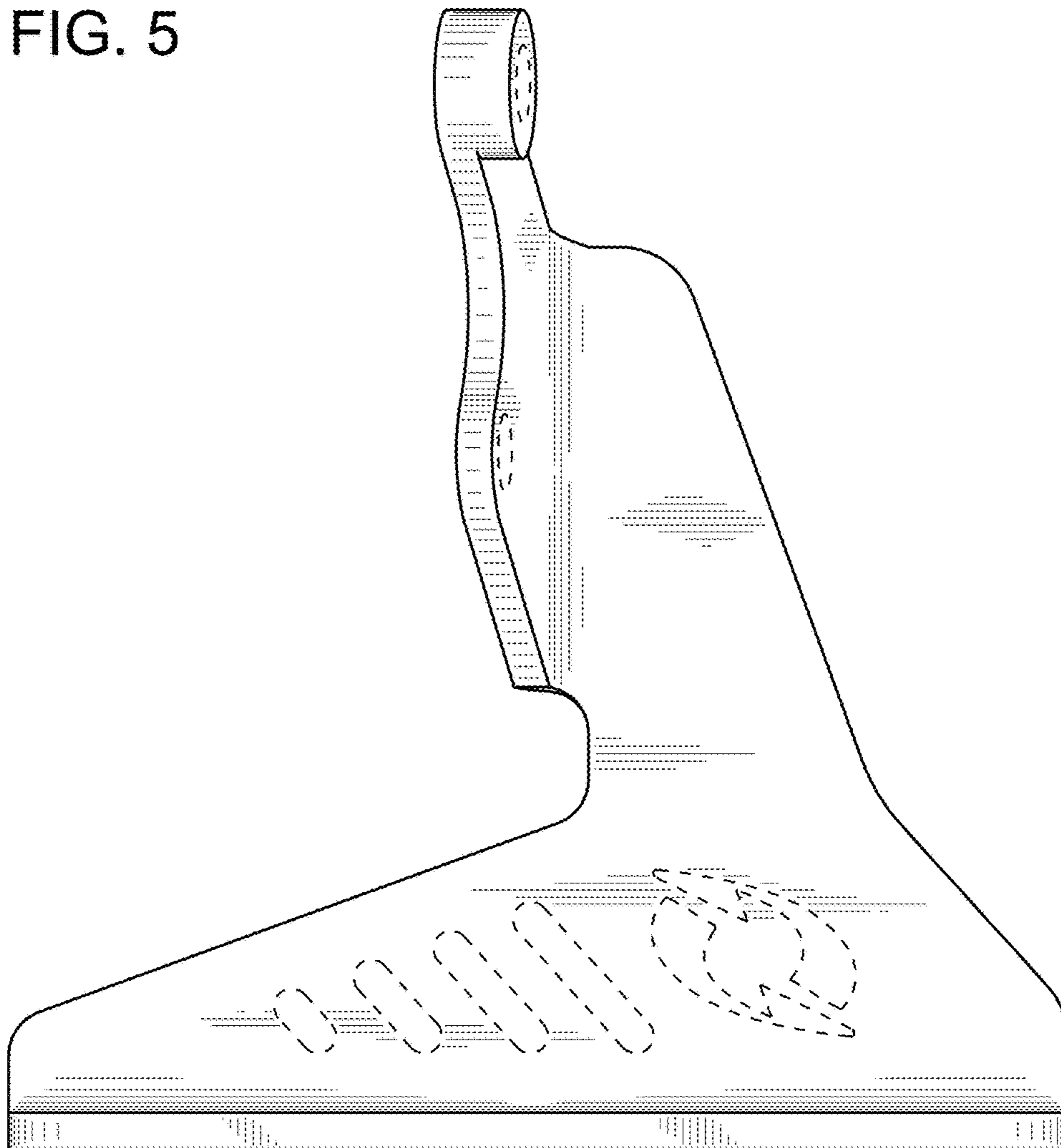


FIG. 6

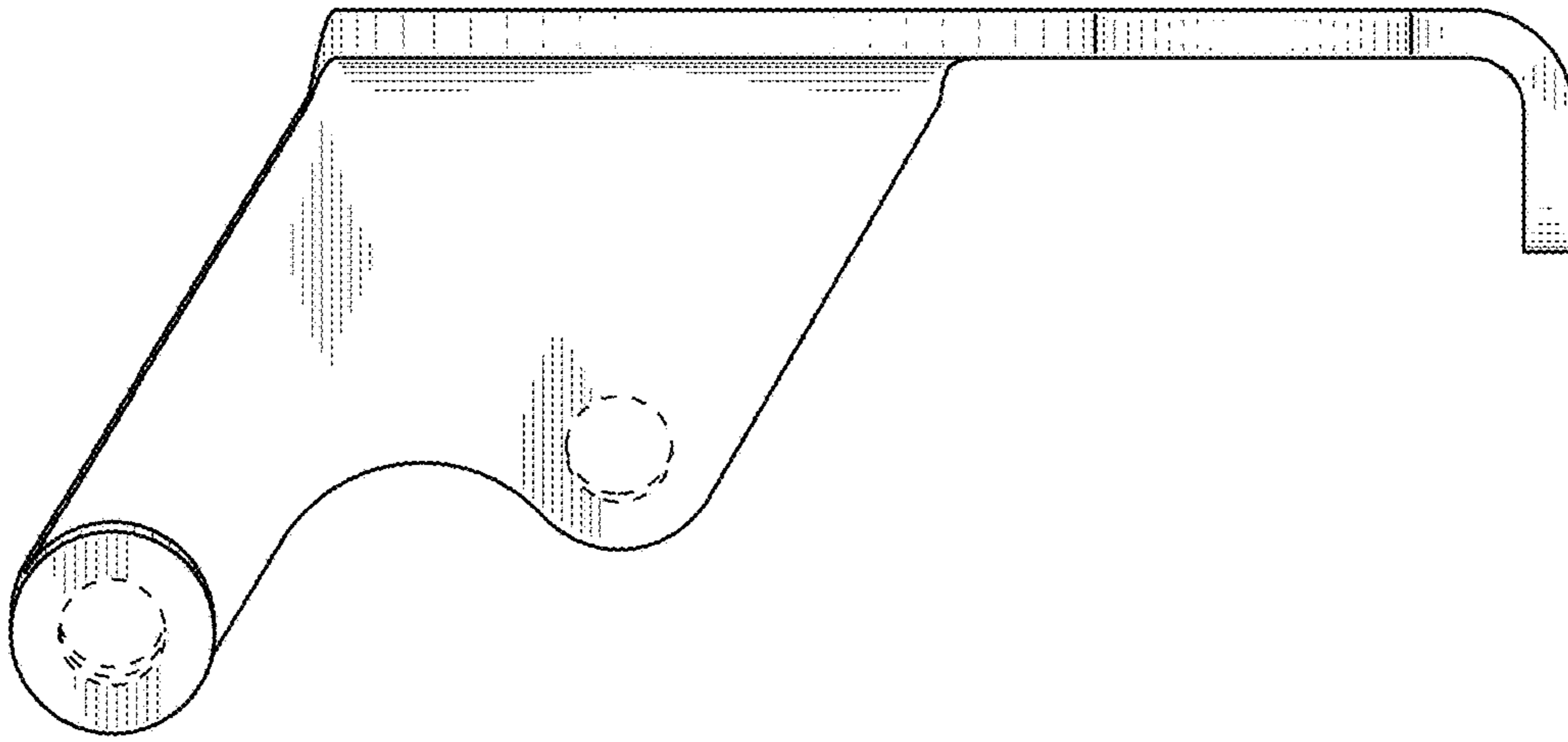


FIG. 7

