



US00D787915S

(12) **United States Design Patent**  
**Hollmann**

(10) **Patent No.:** **US D787,915 S**

(45) **Date of Patent:** **\*\* May 30, 2017**

(54) **LOCKING AND CLOSING DEVICE**

(71) Applicants: **PERI GMBH**, Weipfenhorn (DE);  
**POLYTECH SRL**, Bolzano (IT)

(72) Inventor: **Kai Hollmann**, Costermano (IT)

(\*\*) Term: **15 Years**

(21) Appl. No.: **35/500,710**

(22) Filed: **Nov. 27, 2015**

(80) **Hague Agreement Data**

Int. Filing Date: **Nov. 27, 2015**

Int. Reg. No.: **DM/089582**

Int. Reg. Date: **Nov. 27, 2015**

Int. Reg. Pub. Date: **Mar. 11, 2016**

(51) **LOC (10) Cl.** ..... **08-07**

(52) **U.S. Cl.**  
USPC ..... **D8/338**

(58) **Field of Classification Search**  
USPC ..... D8/88, 94, 107, 300-309, 330-346, 400,  
D8/DIG. 4, DIG. 7, DIG. 10  
CPC ..... E05B 1/0015; E05B 1/003; E05B 3/04;  
E05B 3/06; E05B 3/065; E05B 3/08;  
E05B 9/084; E05B 15/02; E05B 5/003  
See application file for complete search history.

(56) **References Cited**

U.S. PATENT DOCUMENTS

D5,294	S	*	9/1871	Wilbur	.....	D8/88
3,234,765	A	*	2/1966	Kerr	.....	E05B 5/003 70/208
3,452,564	A	*	7/1969	Hallgren	.....	E05B 15/02 292/356
D230,007	S	*	1/1974	Cramer	.....	D8/98
D238,928	S	*	2/1976	Kipp	.....	D23/252
D255,981	S	*	7/1980	Carbo	.....	D8/107
4,373,263	A	*	2/1983	Ayers	.....	A61B 17/32093 30/294

D298,411	S	*	11/1988	Castiglioni	.....	D8/301
D312,310	S	*	11/1990	Michelson	.....	D24/147
4,991,414	A	*	2/1991	Moore	.....	E05B 13/106 70/215
D317,706	S	*	6/1991	Boeri	.....	D8/308
5,122,152	A	*	6/1992	Mull	.....	A61B 17/06161 30/124
D348,820	S	*	7/1994	Carsello	.....	D8/308
6,029,484	A	*	2/2000	Jetton	.....	E05B 3/06 292/348
D529,783	S	*	10/2006	Corcino	.....	D8/301
D534,784	S	*	1/2007	Veltz	.....	D8/308
D569,218	S	*	5/2008	Montague	.....	D8/307
D572,112	S	*	7/2008	Schlumbom	.....	D8/337
D621,682	S	*	8/2010	Roberts, III	.....	D8/308
D630,490	S	*	1/2011	Lundstrom	.....	D8/300
D691,449	S	*	10/2013	Weathersby	.....	D8/301
D733,518	S	*	7/2015	Maltzan	.....	D8/308
D737,645	S	*	9/2015	Jordan	.....	D8/40
D740,642	S	*	10/2015	Carlsson	.....	D8/301

(Continued)

*Primary Examiner* — Elizabeth Albert

(57) **CLAIM**

The ornamental design for a locking and closing device, as shown and described.

**DESCRIPTION**

1. Locking and closing device

Fig. 1.1 shows a perspective view of the locking and closing device;

Fig. 1.2 shows a top view of the locking and closing device;

Fig. 1.3 shows a bottom view of the locking and closing device;

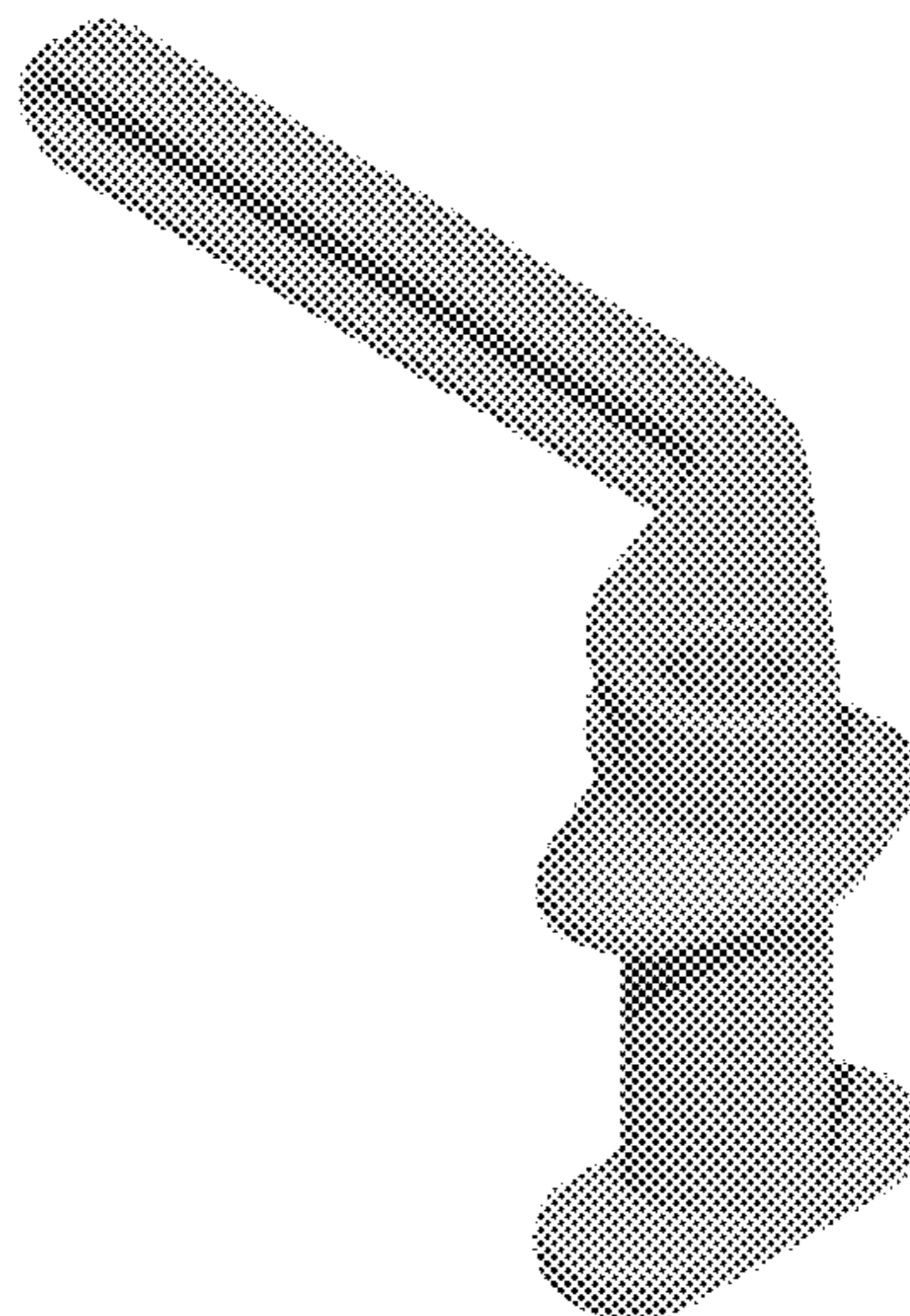
Fig. 1.4 shows a left side view of the locking and closing device;

Fig. 1.5 shows a right side view of the locking and closing device;

Fig. 1.6 shows a front view of the locking and closing device, and

Fig. 1.7 shows a rear view of the locking and closing device in accordance with the invention.

**1 Claim, 7 Drawing Sheets**



(56)

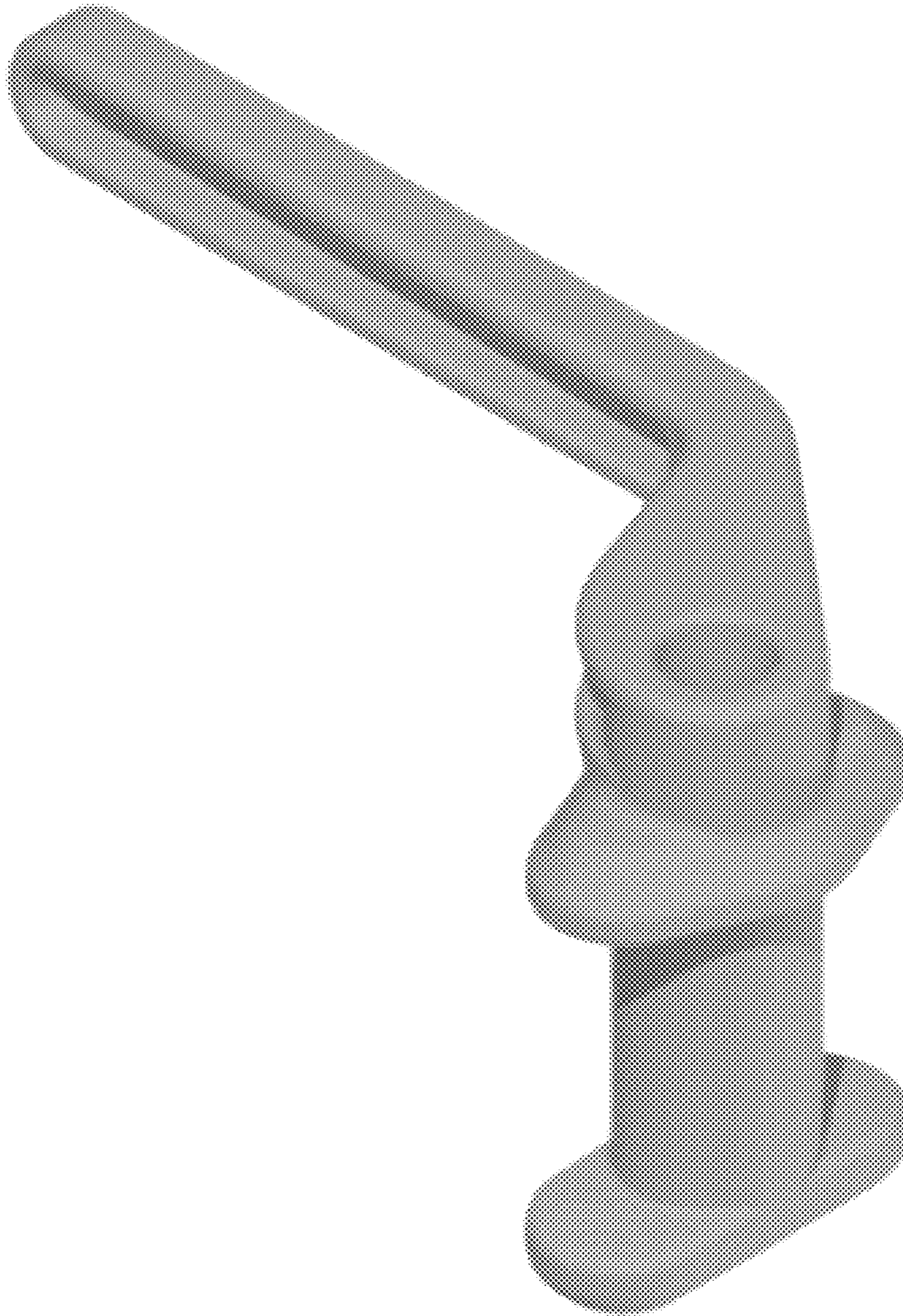
**References Cited**

U.S. PATENT DOCUMENTS

D770,880 S \* 11/2016 Taylor ..... D8/330  
9,482,032 B2 \* 11/2016 Bedoian ..... E05B 1/003  
2017/0016252 A1 \* 1/2017 Uhlmann ..... E05B 47/068

\* cited by examiner

**1.1**



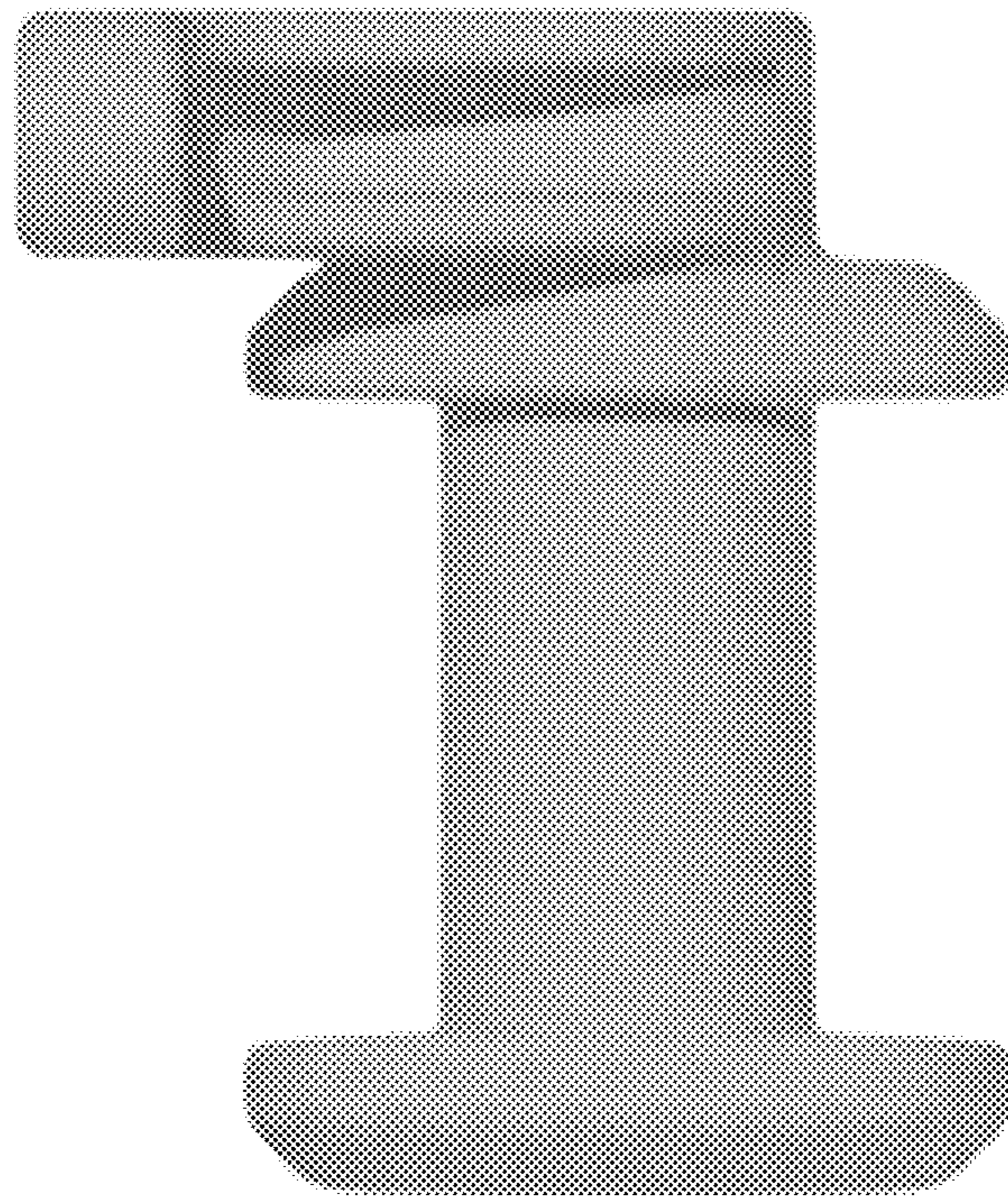
**1.2**



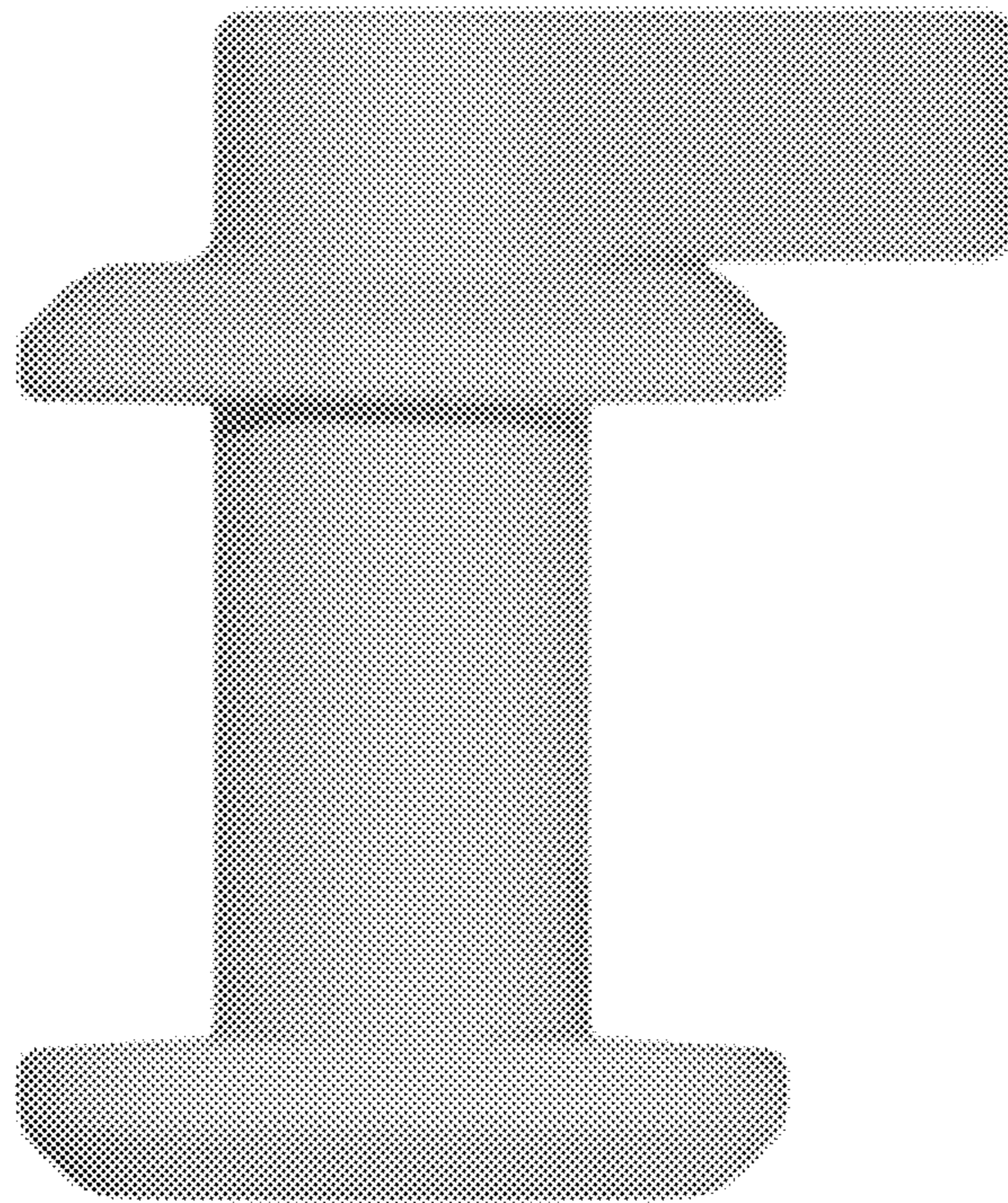
**1.3**



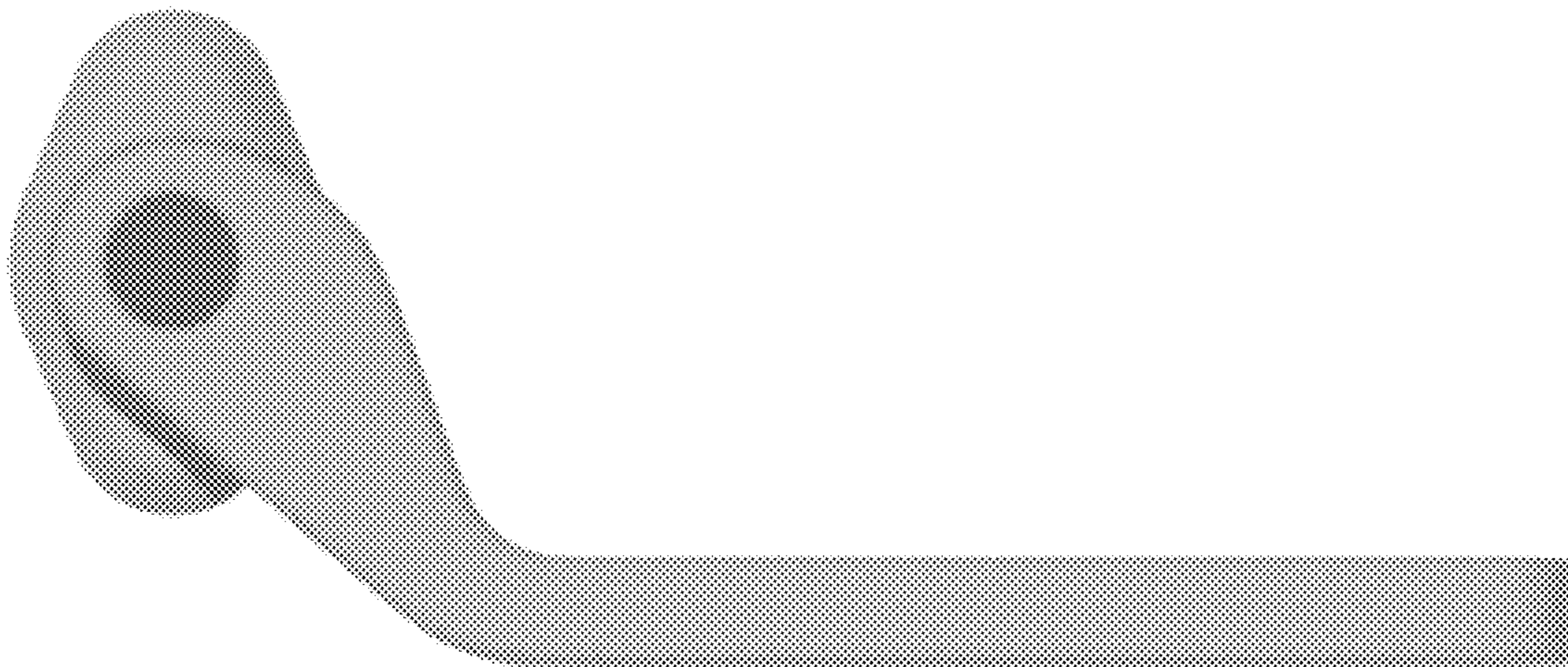
**1.4**



**1.5**



**1.6**





**1.7**

