



US00D787911S

(12) **United States Design Patent**  
**Hsu et al.**

(10) **Patent No.:** **US D787,911 S**

(45) **Date of Patent:** **\*\* May 30, 2017**

(54) **HANDLESET**

85/12; E05B 85/10; E05B 7/00; E05B  
1/0053; E05B 77/265

(71) Applicant: **Spectrum Brands, Inc.**, Middleton, WI  
(US)

See application file for complete search history.

(72) Inventors: **Wei Hsu**, Lake Forest, CA (US); **Andy  
Chen**, Xiamen (CN)

(56) **References Cited**

U.S. PATENT DOCUMENTS

(73) Assignee: **Spectrum Brands, Inc.**, Middleton, WI  
(US)

D178,660	S	*	9/1956	Hillgren	.....	D8/302
D300,113	S	*	3/1989	Halsted	.....	D8/302
D300,114	S		3/1989	Halsted et al.		
D300,115	S		3/1989	Halsted et al.		
D300,202	S	*	3/1989	Halsted	.....	D8/302
D300,204	S	*	3/1989	Halsted	.....	D8/302
D350,890	S	*	9/1994	Boeri	.....	D8/302
D351,980	S	*	11/1994	Molteni	.....	D8/302
D471,423	S	*	3/2003	Ellis	.....	D8/301
D521,355	S		5/2006	Gehry		
D554,972	S		11/2007	Pezzetta		
D579,302	S		10/2008	Roberts, III		
D596,918	S		7/2009	Menzies		

(\*\*) Term: **15 Years**

(21) Appl. No.: **29/552,425**

(22) Filed: **Jan. 22, 2016**

(51) **LOC (10) Cl.** ..... **08-06**

(52) **U.S. Cl.**  
USPC ..... **D8/302**

(58) **Field of Classification Search**  
USPC ..... D8/300-302, 307-309, 310, 311,  
D8/DIG. 10, 331, 338; D23/250, 252;  
292/336.3; 74/523, 543; 70/192, 201,  
70/206, 207; 16/110.1, 412, 416,  
16/DIG. 30

CPC ..... Y10T 16/44; Y10T 74/20612; Y10T  
74/20732; Y10T 16/458; Y10T 16/498;  
Y10T 16/469; Y10T 16/476; Y10T  
74/20744; Y10T 74/20864; Y10T  
16/4628; Y10T 74/20642; Y10T 16/473;  
Y10T 74/20762; Y10T 74/2042; Y10T  
74/20828; Y10T 16/459; Y10T 16/4713;  
Y10T 74/2014; Y10T 16/50; Y10T  
74/20438; Y10T 74/20582; Y10T  
74/20738; Y10T 16/48; Y10T 74/20618;  
Y10T 74/20684; Y10T 74/20624; Y10T  
74/20468; Y10T 16/61; Y10T 16/4719;  
Y10T 16/86; Y10S 16/30; Y10S 292/31;  
Y10S 292/53; Y10S 16/12; Y10S 292/23;  
Y10S 292/27; Y10S 292/30; Y10S  
292/63; E05B 85/16; E05B 1/0015; E05B  
77/06; E05B 79/06; E05B 85/18; E05B

(Continued)

*Primary Examiner* — Derrick Holland

*Assistant Examiner* — Lauren Calve

(74) *Attorney, Agent, or Firm* — Banner & Witcoff, Ltd.

(57) **CLAIM**

The ornamental design for a handset, as shown and described.

**DESCRIPTION**

FIG. 1 is a front perspective view of a handset showing our new design;

FIG. 2 is a front view thereof;

FIG. 3 is a right side view thereof;

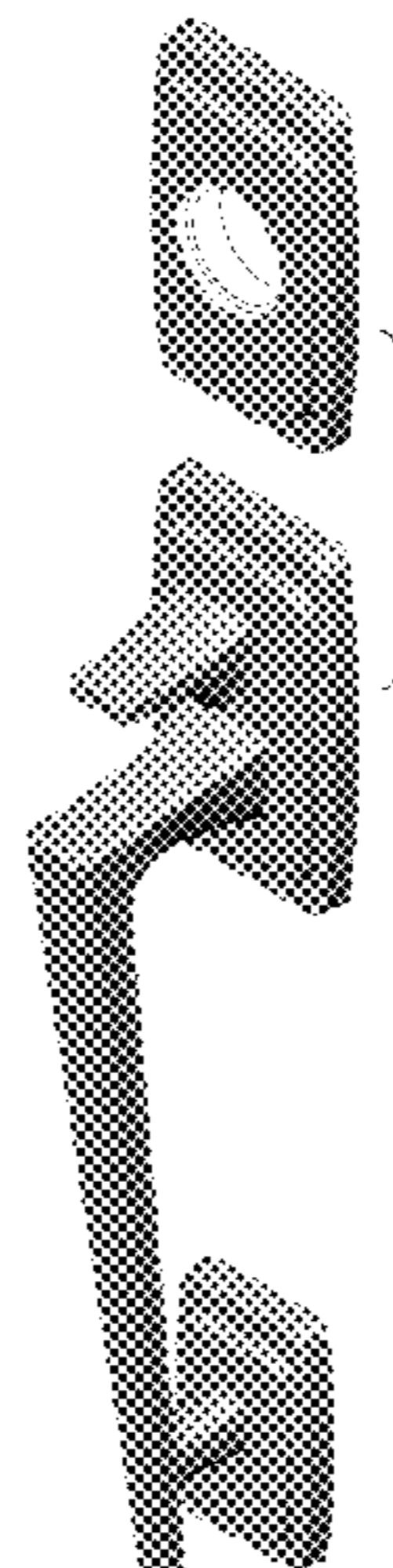
FIG. 4 is a left side view thereof;

FIG. 5 is a top plan view thereof; and,

FIG. 6 is a bottom view thereof.

The broken line showing of the interior well surfaces of the handset, including the unshaded region immediately adjacent the circular edge, is for environmental purposes only and forms no part of the claimed design.

**1 Claim, 4 Drawing Sheets**



(56)

**References Cited**

U.S. PATENT DOCUMENTS

D648,613 S	11/2011	Ortiz-Ochoa	
D680,414 S	4/2013	Han	
D697,385 S *	1/2014	Roberts, III .....	D8/301
D739,203 S *	9/2015	Schneider .....	D8/302
2004/0004359 A1 *	1/2004	Wartian .....	E05C 1/12 292/336.3

\* cited by examiner

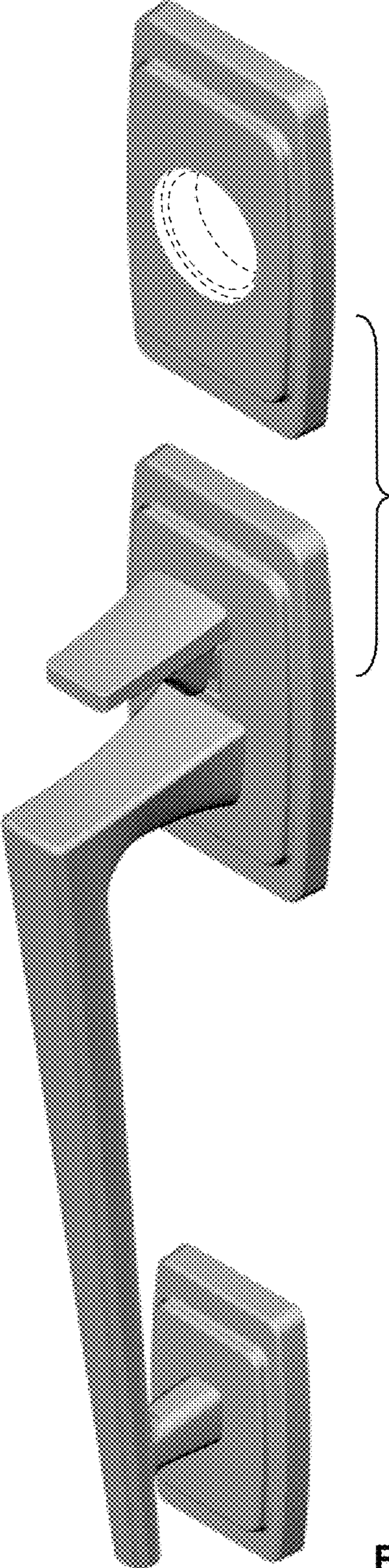


FIG. 1

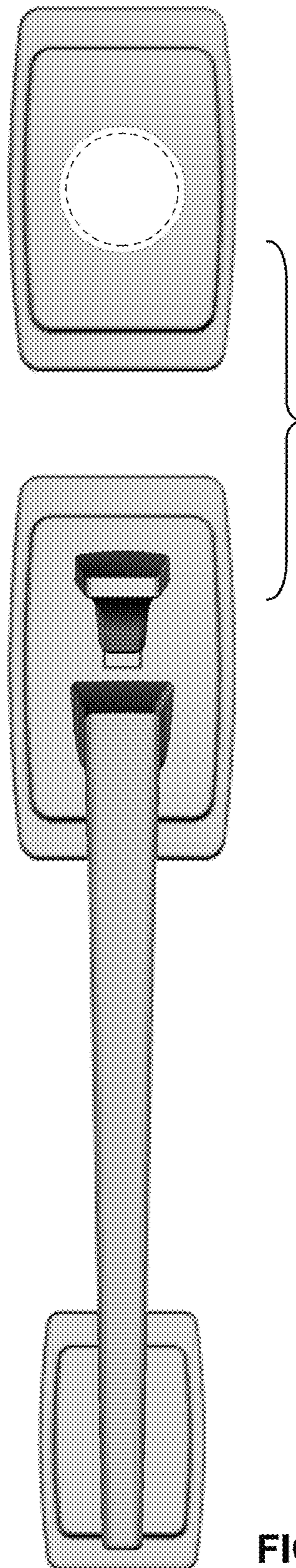


FIG. 2

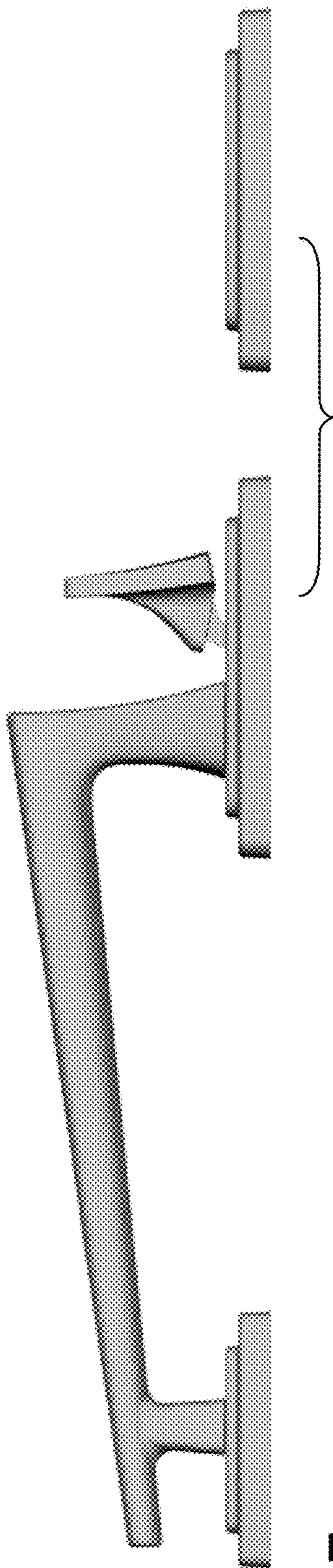


FIG. 3

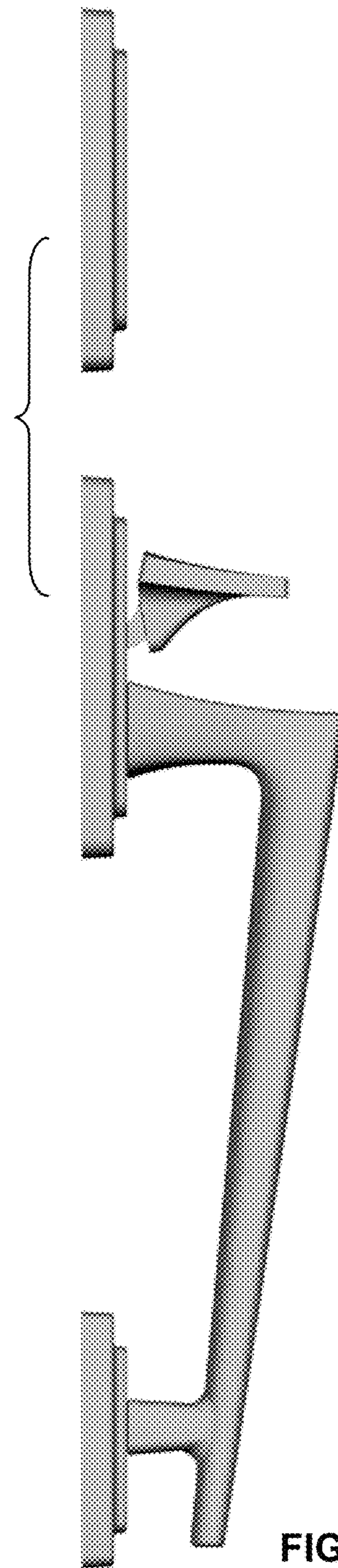


FIG. 4

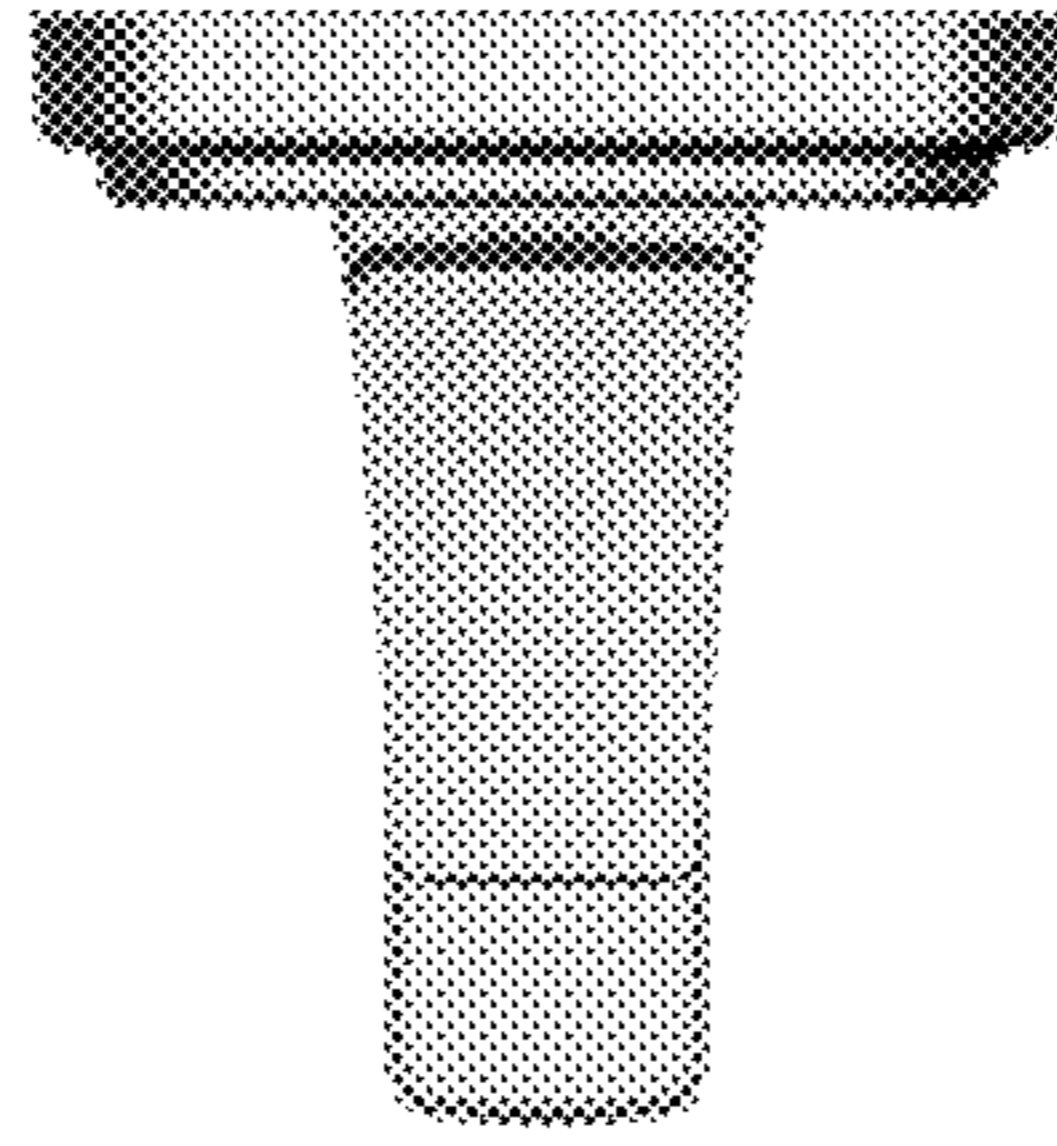


FIG. 5

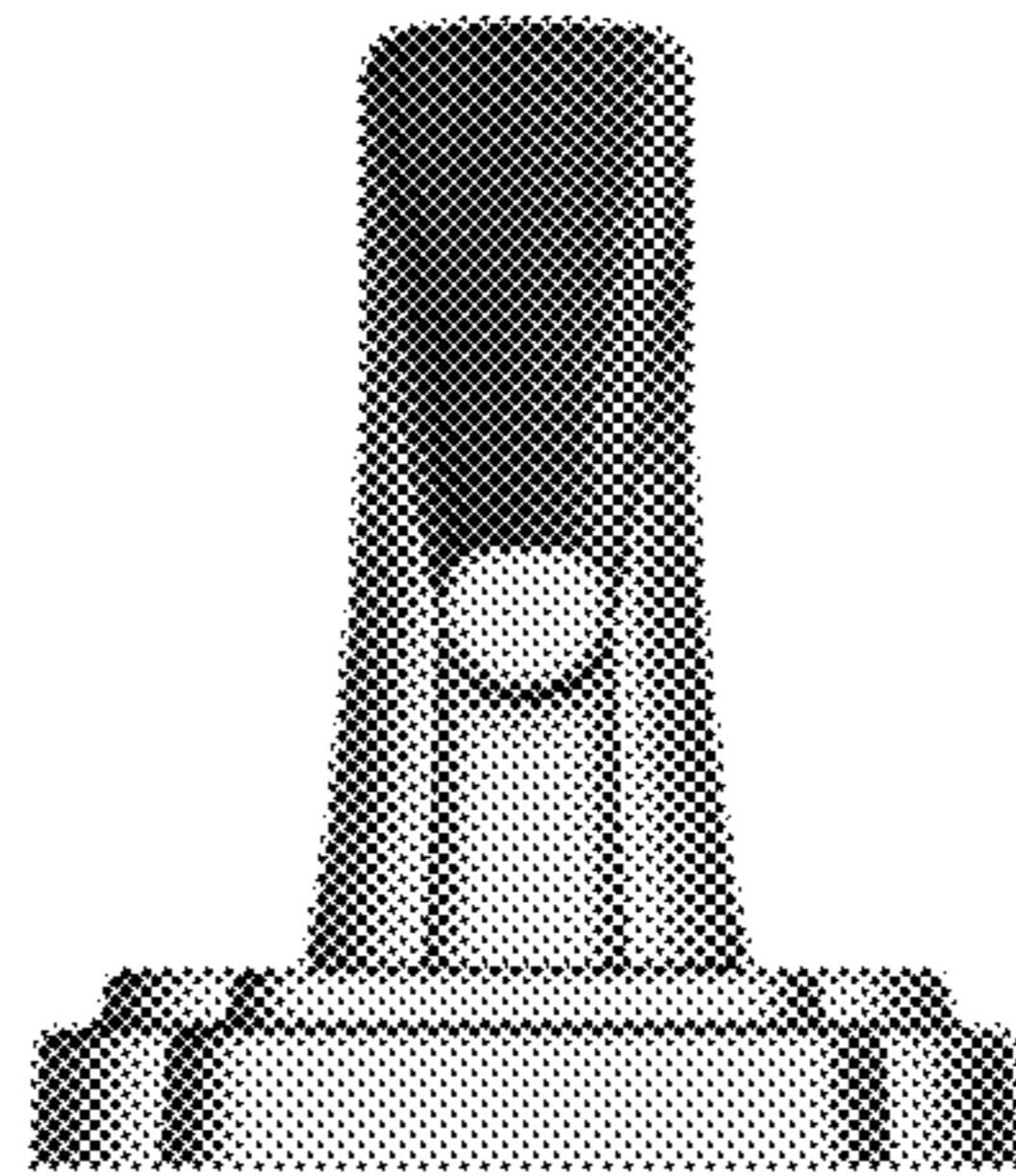


FIG. 6