



US00D787909S

(12) **United States Design Patent** (10) **Patent No.:** **US D787,909 S**
Hsu (45) **Date of Patent:** **** May 30, 2017**

(54) **SCREWDRIVER BIT**
(71) Applicant: **Shao-Hsien Hsu**, Taichung (TW)
(72) Inventor: **Shao-Hsien Hsu**, Taichung (TW)
(**) Term: **15 Years**
(21) Appl. No.: **29/568,024**
(22) Filed: **Jun. 14, 2016**
(51) **LOC (10) Cl.** **08-04**
(52) **U.S. Cl.**
USPC **D8/86**
(58) **Field of Classification Search**
USPC D8/70, 82, 85-87, 105; D15/139;
81/53.1-53.2, 125, 177.1-177.7, 436,
81/438-439, 451, 460-461
CPC ... B25B 15/001; B25B 15/005; B25B 15/008;
B25B 15/02; B25B 23/0007; B25B
23/0035; B25B 23/0042; B25B 23/021;
B25G 1/085; F16B 23/0053; G02C
13/001
See application file for complete search history.

(56) **References Cited**
U.S. PATENT DOCUMENTS
4,515,046 A * 5/1985 Johnson B25B 15/02
81/177.4
4,989,480 A * 2/1991 Chen B25F 1/02
81/177.4
5,528,966 A * 6/1996 Coppejans B25B 15/007
81/439

6,425,307 B1 * 7/2002 Chen B25B 15/00
81/438
D525,634 S * 7/2006 Kotala D15/132
D546,157 S * 7/2007 Schluter D8/86
7,272,997 B1 * 9/2007 Lee B25B 13/56
81/177.1
2013/0269492 A1 * 10/2013 Su B25B 15/005
81/438
2013/0340577 A1 * 12/2013 Su B25B 23/0035
81/438
2016/0039084 A1 * 2/2016 Tsai B25G 1/085
81/438

* cited by examiner

Primary Examiner — Philip S Hyder
Assistant Examiner — Roselynn Cody
(74) *Attorney, Agent, or Firm* — Rosenberg, Klein & Lee

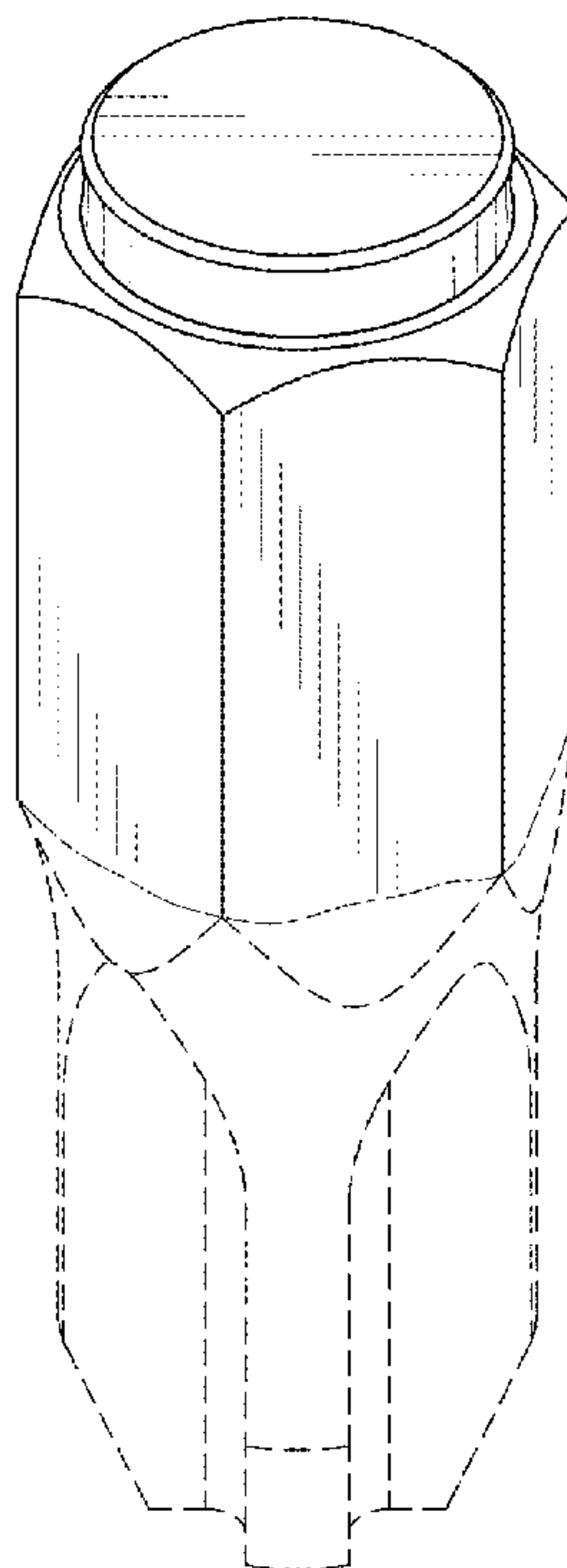
(57) **CLAIM**

The ornamental design for a screwdriver bit, as shown and described.

DESCRIPTION

FIG. 1 is a front-right-top perspective view of the screwdriver bit showing my new design;
FIG. 2 is a front elevational view thereof;
FIG. 3 is a rear front elevational view thereof;
FIG. 4 is a left side elevational view thereof;
FIG. 5 is a right side elevational view thereof;
FIG. 6 is a top plan view thereof; and,
FIG. 7 is a bottom plan view thereof.
The broken lines in the drawings depict portions of the screwdriver bit that form no part of the claim.

1 Claim, 6 Drawing Sheets



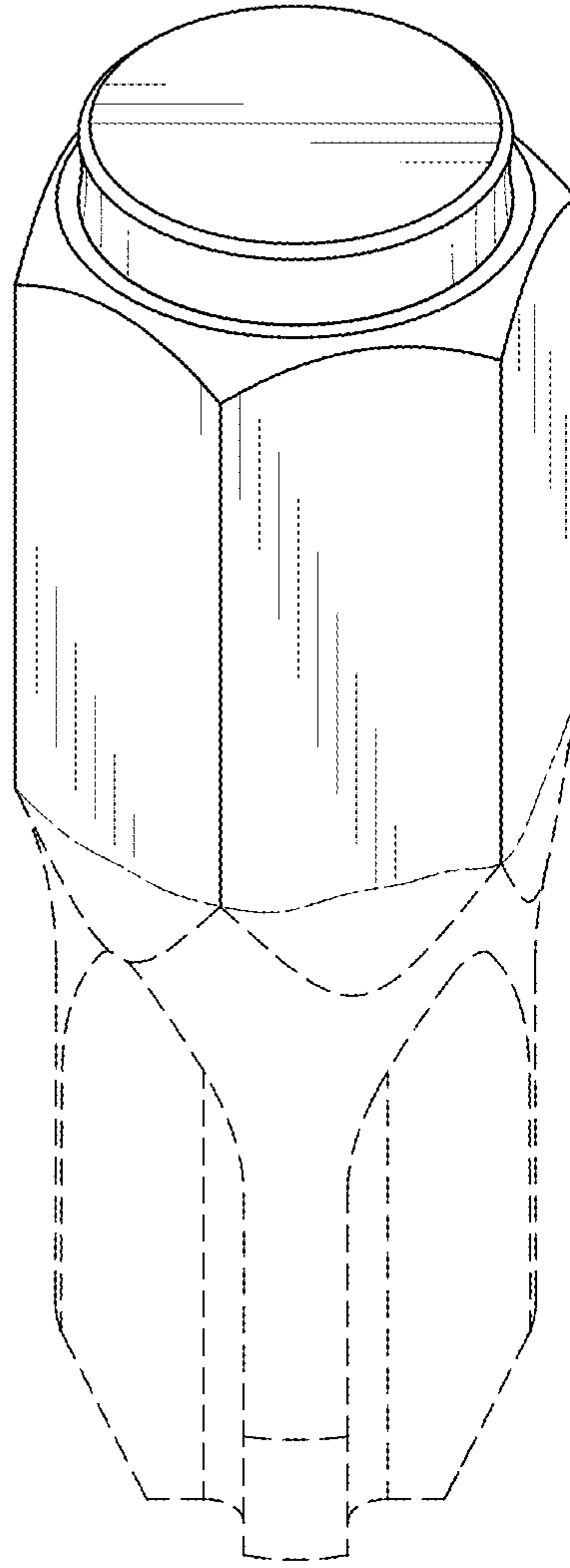


FIG.1

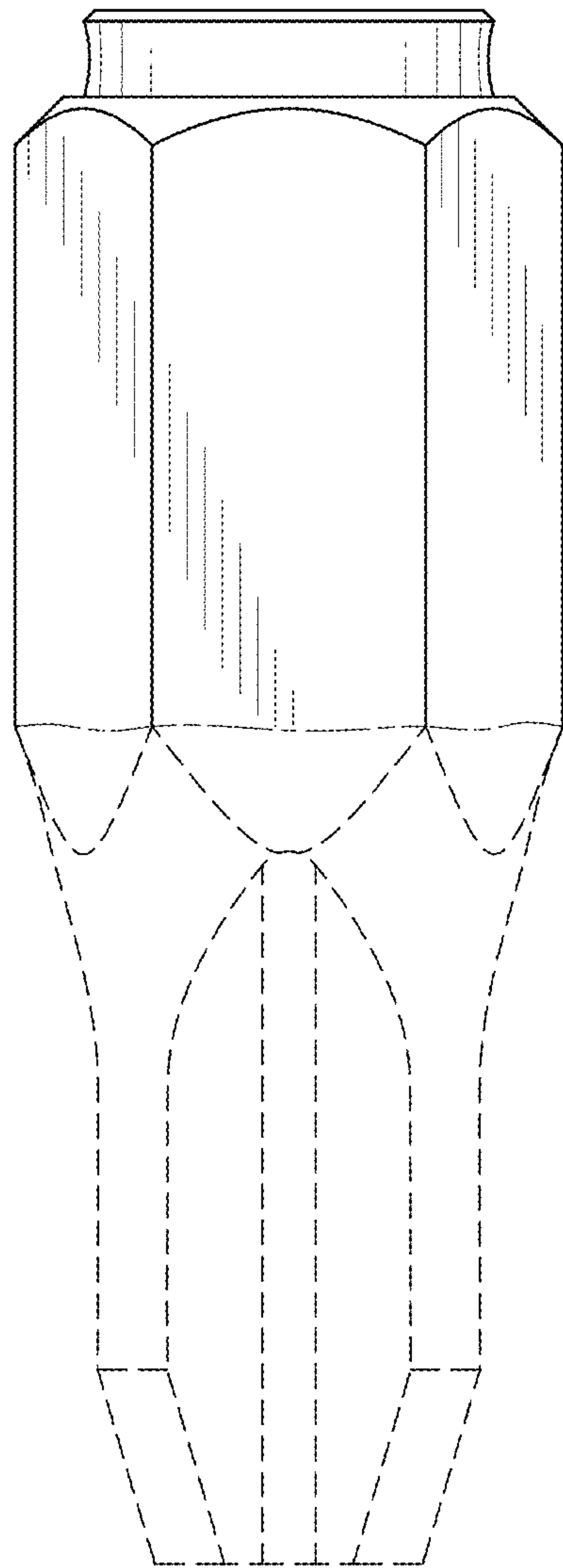


FIG. 2

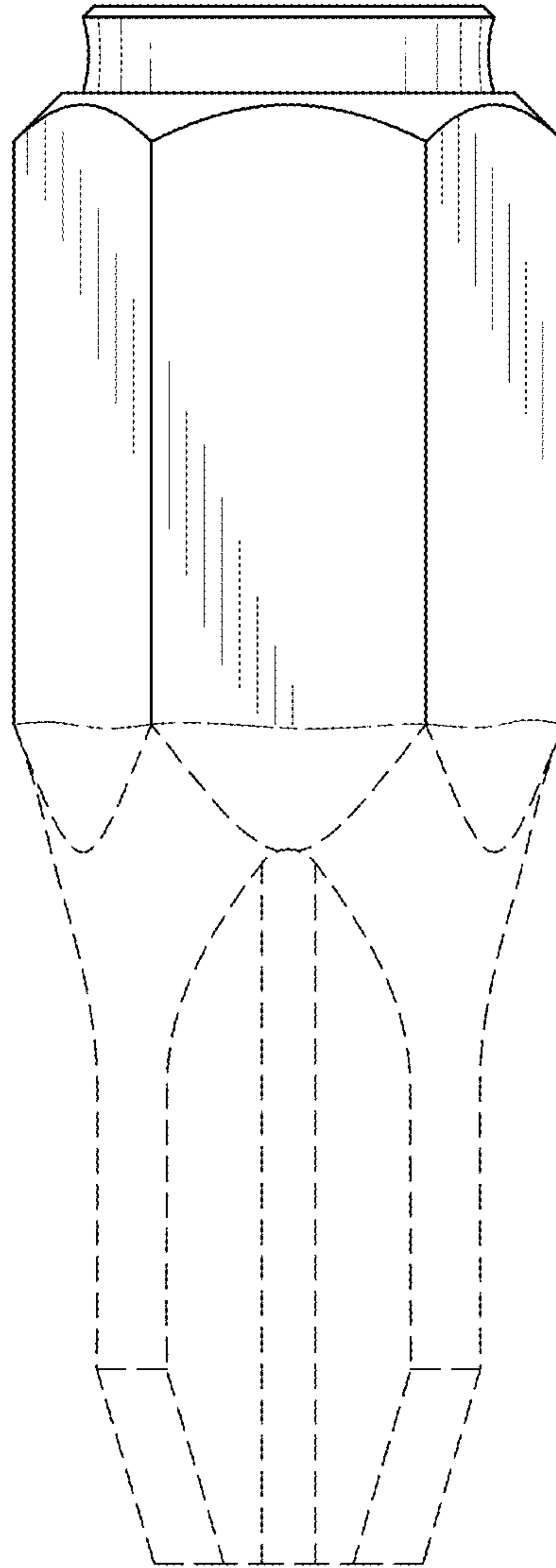


FIG.3

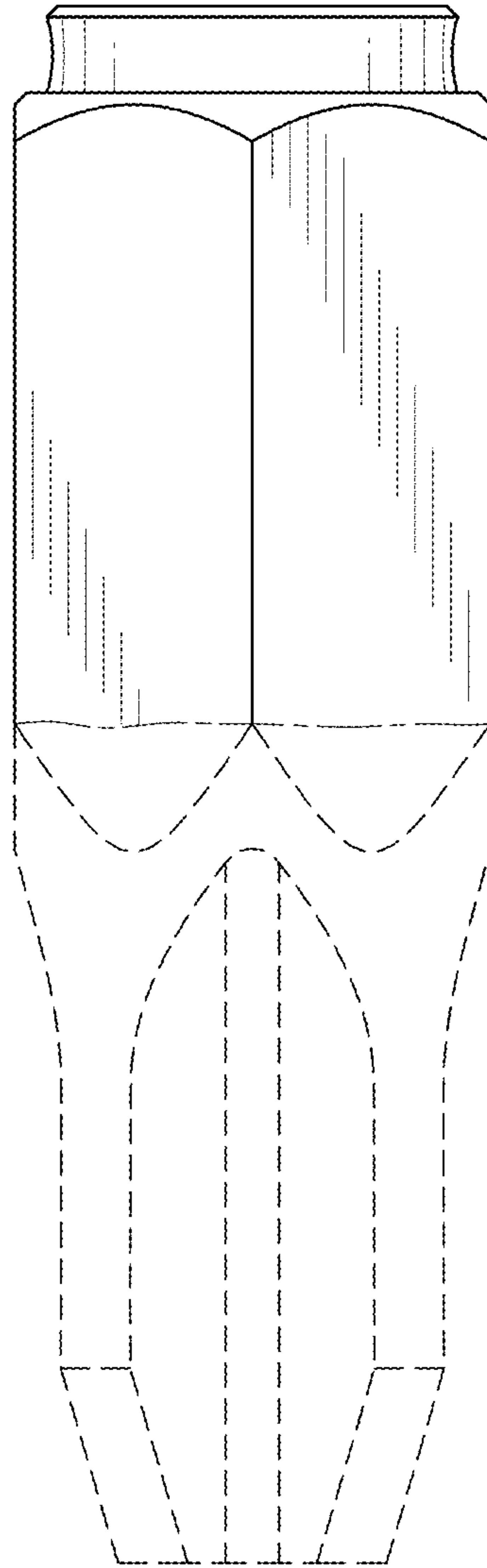


FIG.4

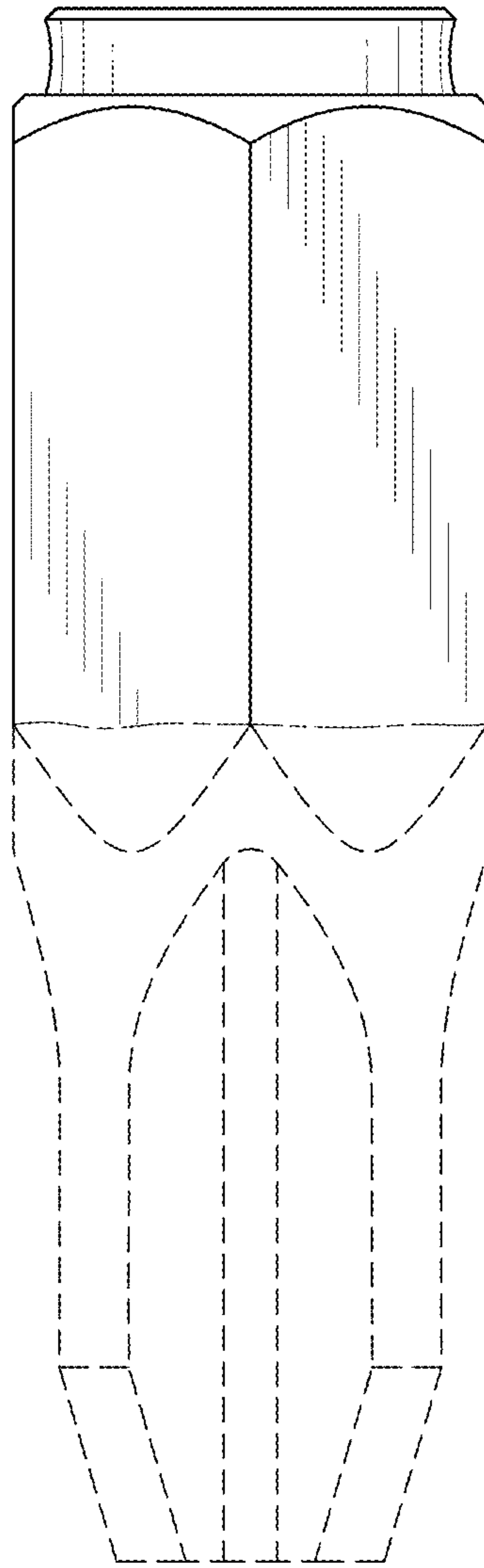


FIG.5

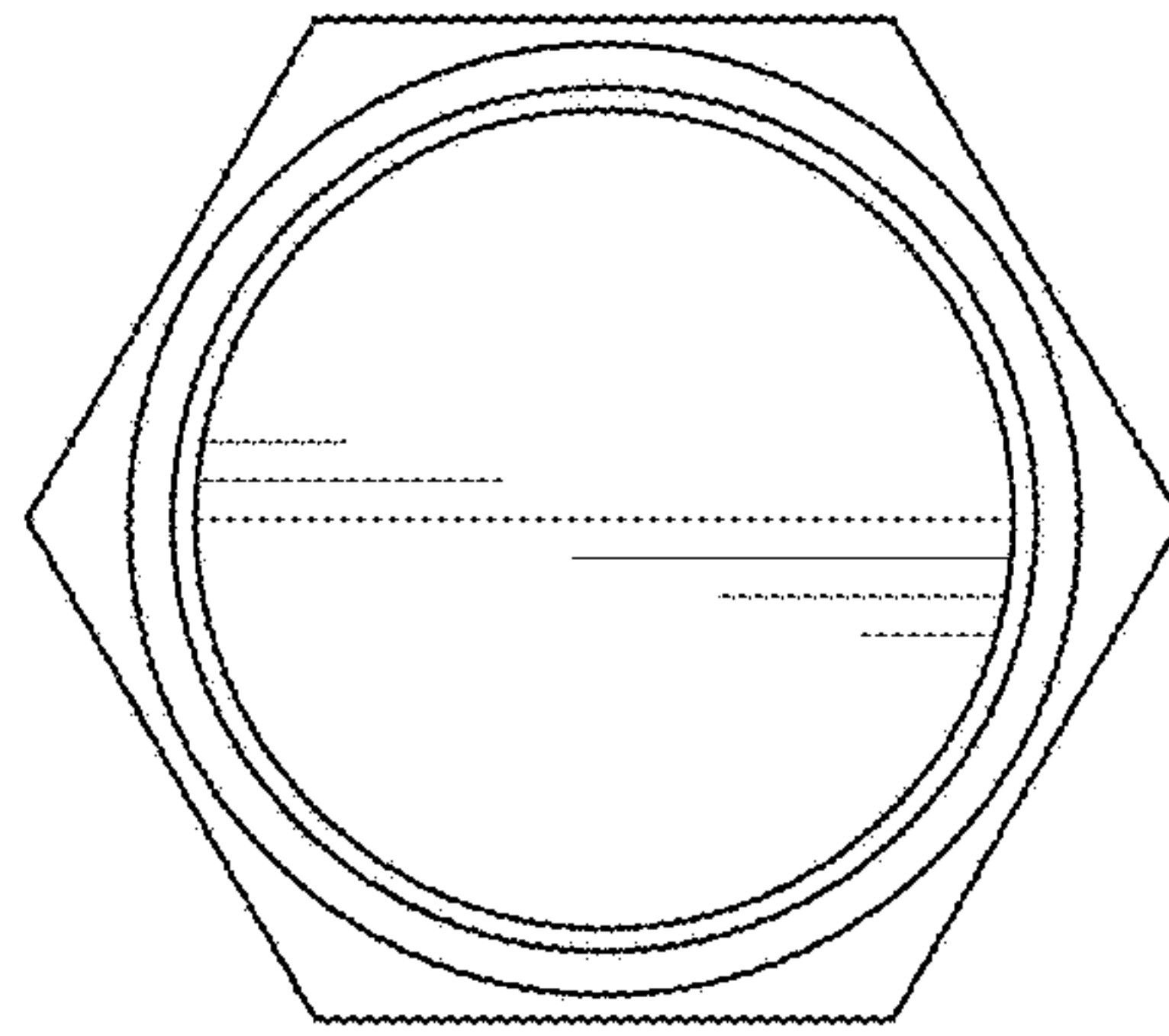


FIG. 6

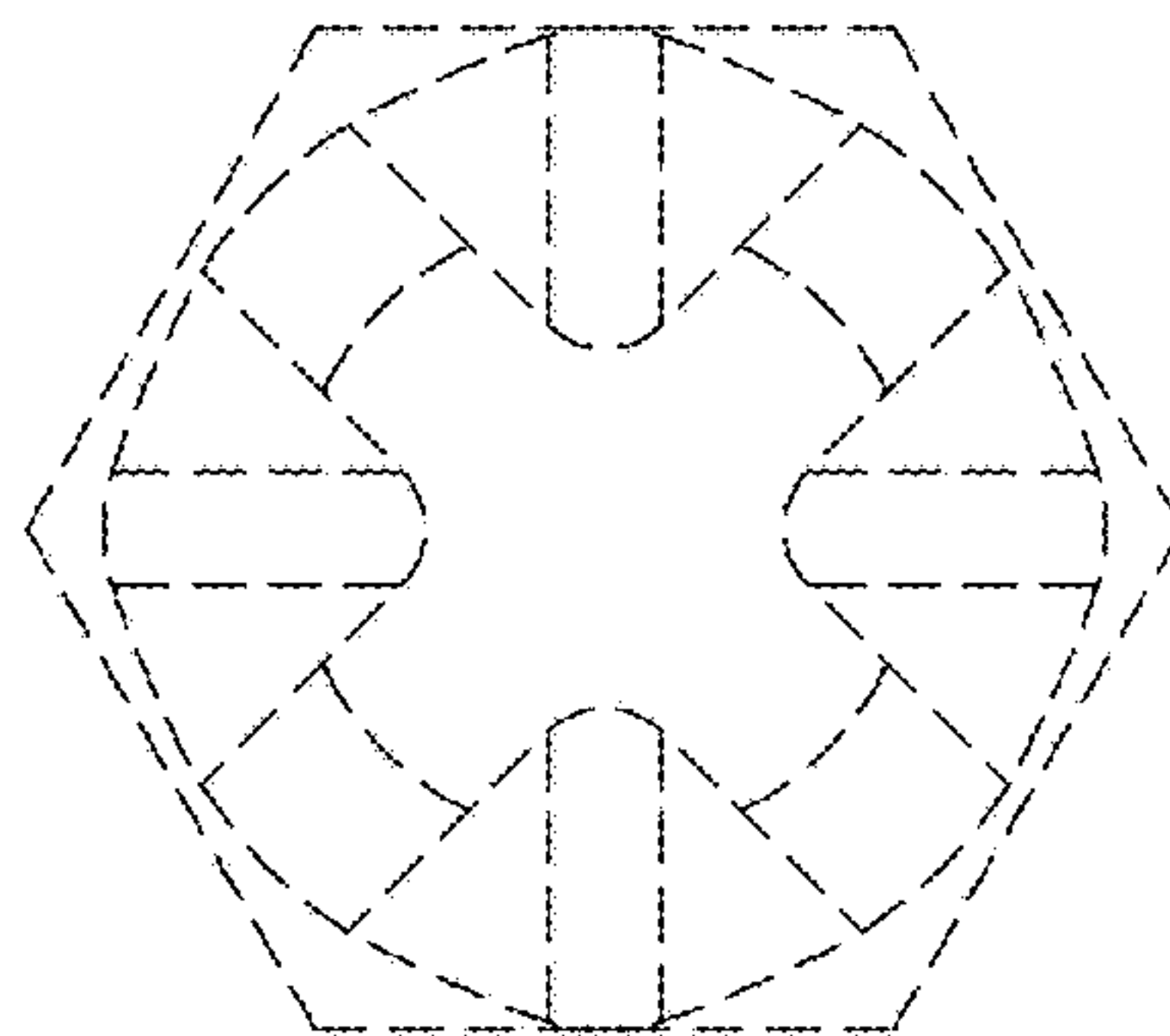


FIG. 7