



US00D787908S

(12) **United States Design Patent**  
**Hebert**

(10) **Patent No.:** **US D787,908 S**

(45) **Date of Patent:** **\*\* May 30, 2017**

(54) **ELECTRIC PORTABLE WET SAW**

(71) Applicant: **Joseph Hebert**, Omaha, NE (US)

(72) Inventor: **Joseph Hebert**, Omaha, NE (US)

(\*\*) Term: **15 Years**

(21) Appl. No.: **29/505,756**

(22) Filed: **Feb. 1, 2016**

(51) **LOC (10) Cl.** ..... **08-03**

(52) **U.S. Cl.**  
USPC ..... **D8/62**

(58) **Field of Classification Search**  
USPC .... D8/69, 68, 67, 66, 64, 61, 70; 83/698.41,  
83/747, 166.3, 374, 373, 375, 376, 391,  
83/377, 390, 388, 389; 125/13.01;  
144/218; D21/532

CPC ..... B24B 23/028; B24B 47/12; B24B 7/186;  
B25F 5/001; B25F 5/02

See application file for complete search history.

D631,718 S	2/2011	Aglassinger	
D637,057 S *	5/2011	Schomisch	D8/62
D638,681 S	5/2011	Yamada et al.	
D660,118 S *	5/2012	Bast	D8/62
D685,241 S *	7/2013	Waldron	D8/62
D705,629 S	5/2014	Schoch	
D707,516 S *	6/2014	Aglassinger	D8/62
D707,517 S *	6/2014	Aglassinger	D8/62
D708,031 S *	7/2014	Aglassinger	D8/62
D710,170 S *	8/2014	Aglassinger	D8/62
D710,171 S *	8/2014	Aglassinger	D8/62
8,839,778 B2	9/2014	South	
D715,616 S *	10/2014	Aglassinger	D8/62
D731,869 S	6/2015	Hoggarth	
D746,118 S *	12/2015	Xu	D8/62

\* cited by examiner

*Primary Examiner* — Austin Murphy

(74) *Attorney, Agent, or Firm* — Suzanne Kikel

(57) **CLAIM**

The ornamental design for an electric portable wet saw, as shown and described.

**DESCRIPTION**

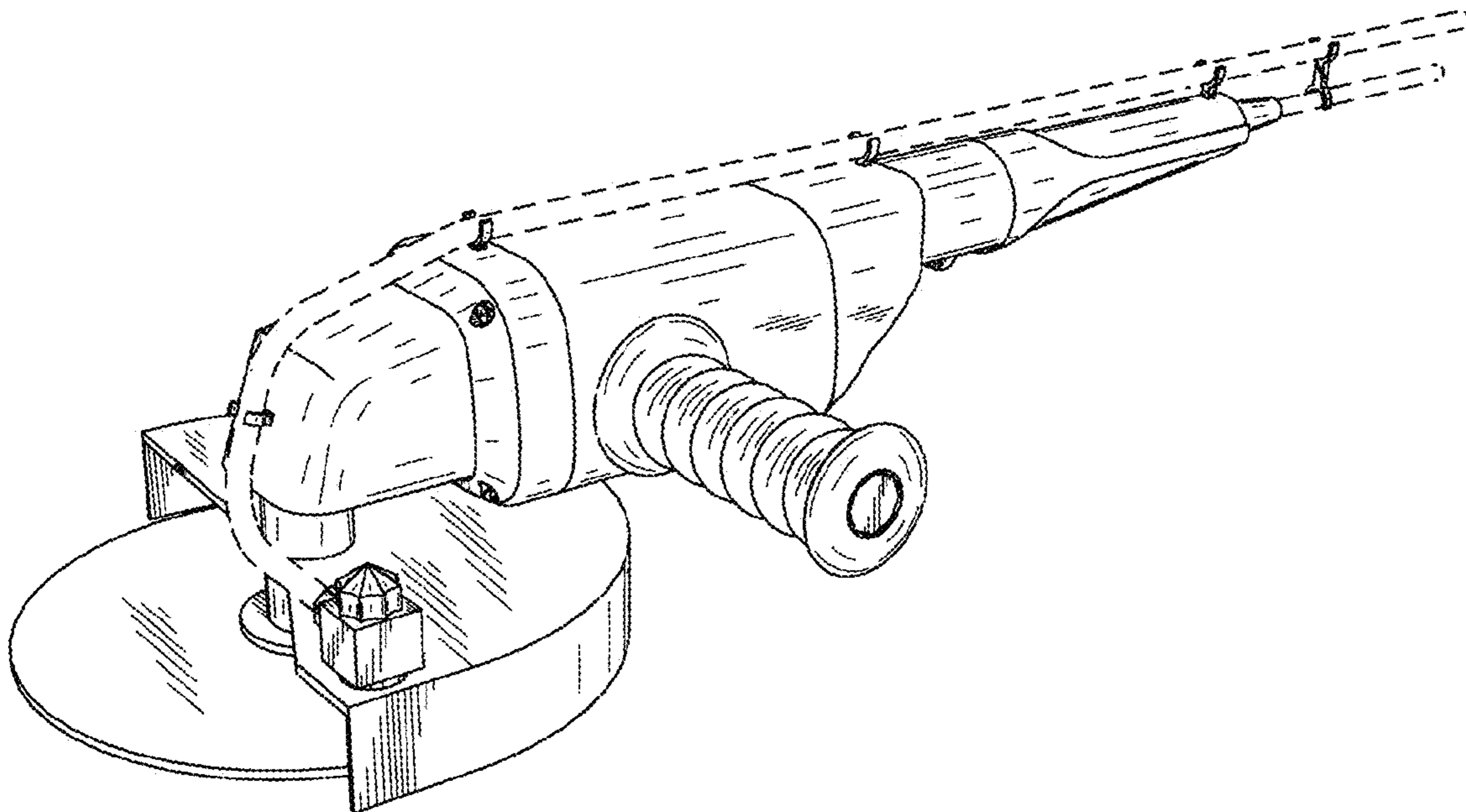
FIG. 1 is a perspective view of an electric portable wet saw. FIG. 2 is a top plan view thereof. FIG. 3 is a bottom plan view thereof. FIG. 4 is a right side elevational view thereof. FIG. 5 is a left side elevational view thereof. FIG. 6 is a front elevational view thereof; and, FIG. 7 is a rear elevational view thereof. The broken lines in the drawings showing a hose and an electrical cord represent unclaimed portions of the electric portable wet saw and form no part of the claimed design.

**1 Claim, 5 Drawing Sheets**

(56) **References Cited**

**U.S. PATENT DOCUMENTS**

3,896,783 A	7/1975	Manning	
4,570,609 A	2/1986	Hogue	
4,870,946 A	10/1989	Long et al.	
D315,854 S	4/1991	Kawakami et al.	
D502,373 S	3/2005	Wu	
D504,297 S	4/2005	Tillman et al.	
D559,645 S	1/2008	Okuda et al.	
D567,612 S	4/2008	Wright et al.	
D630,075 S *	1/2011	Wright	D8/62
D630,483 S *	1/2011	Aglassinger	D8/62
D631,717 S	2/2011	Aglassinger	



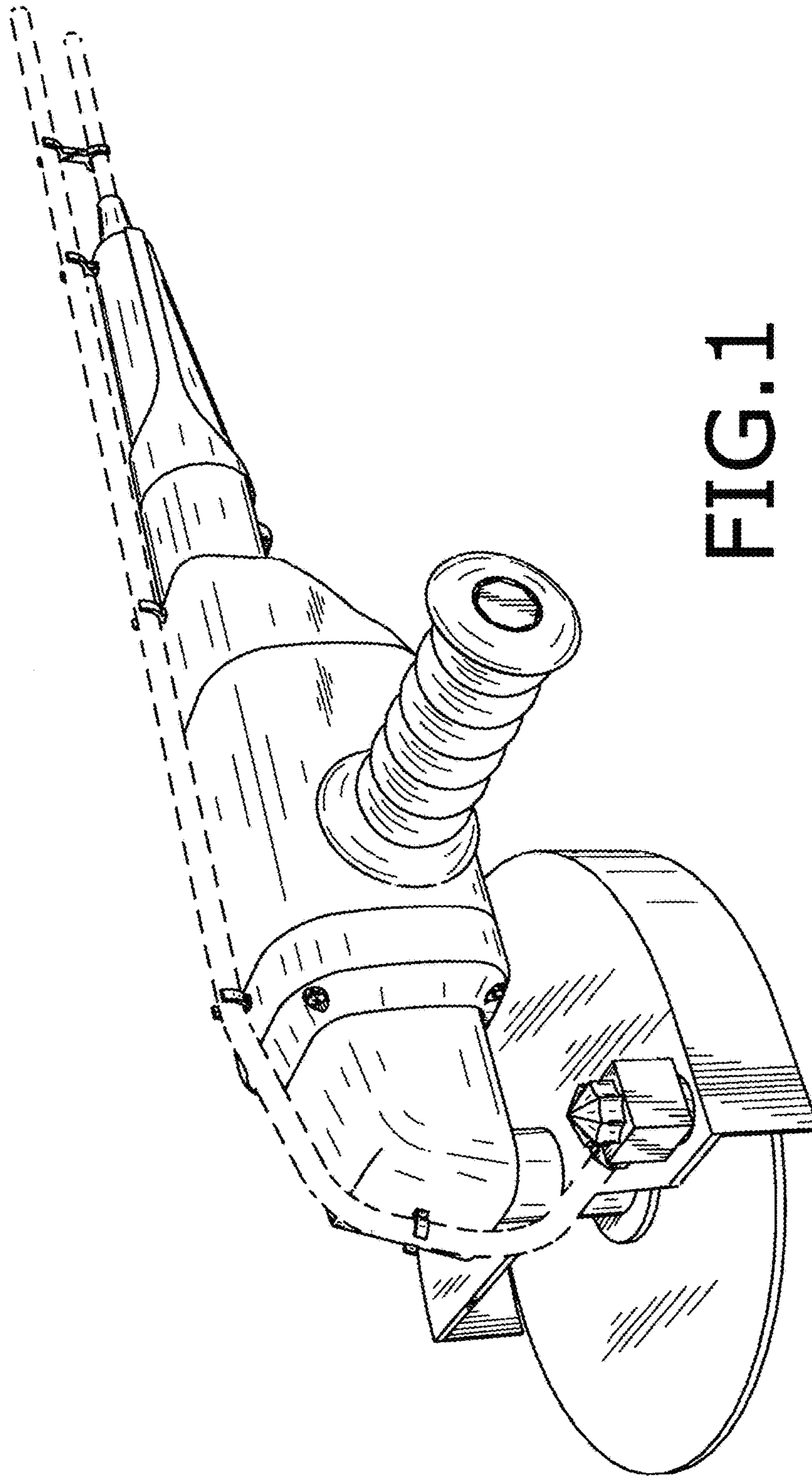


FIG. 1

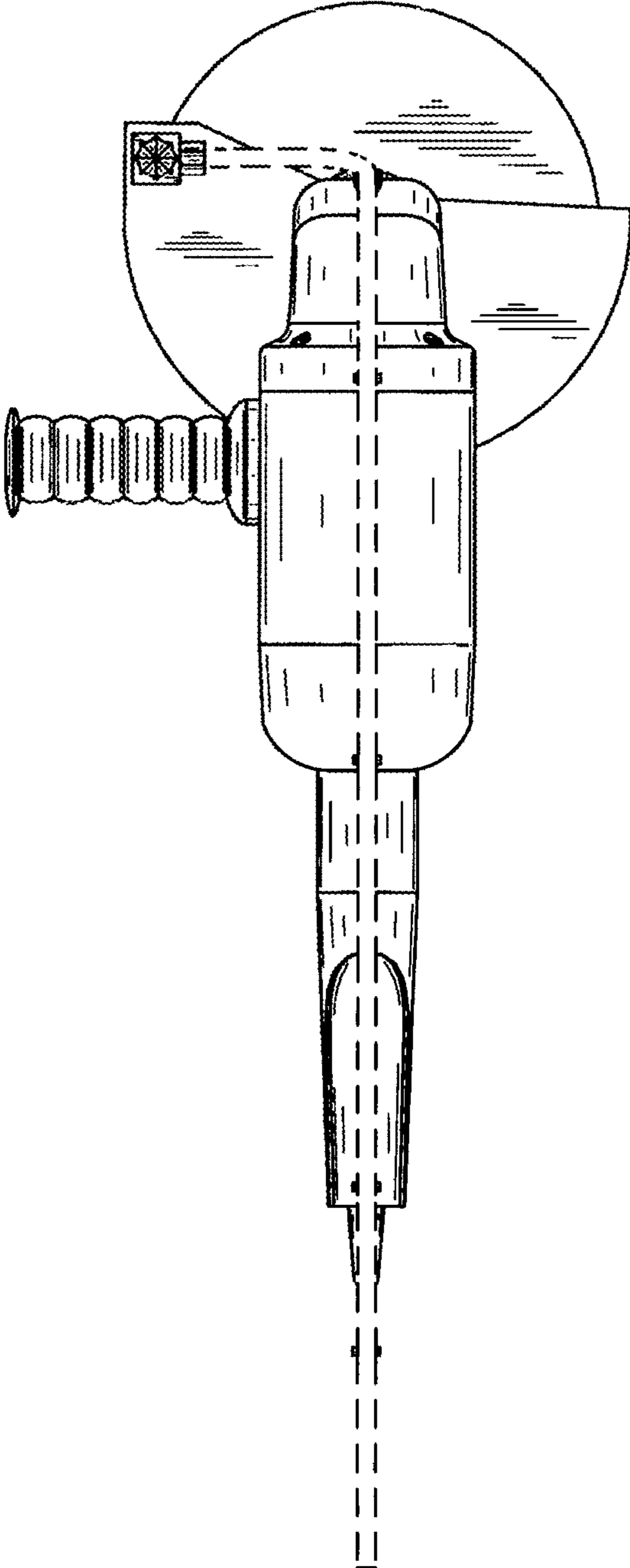


FIG. 2

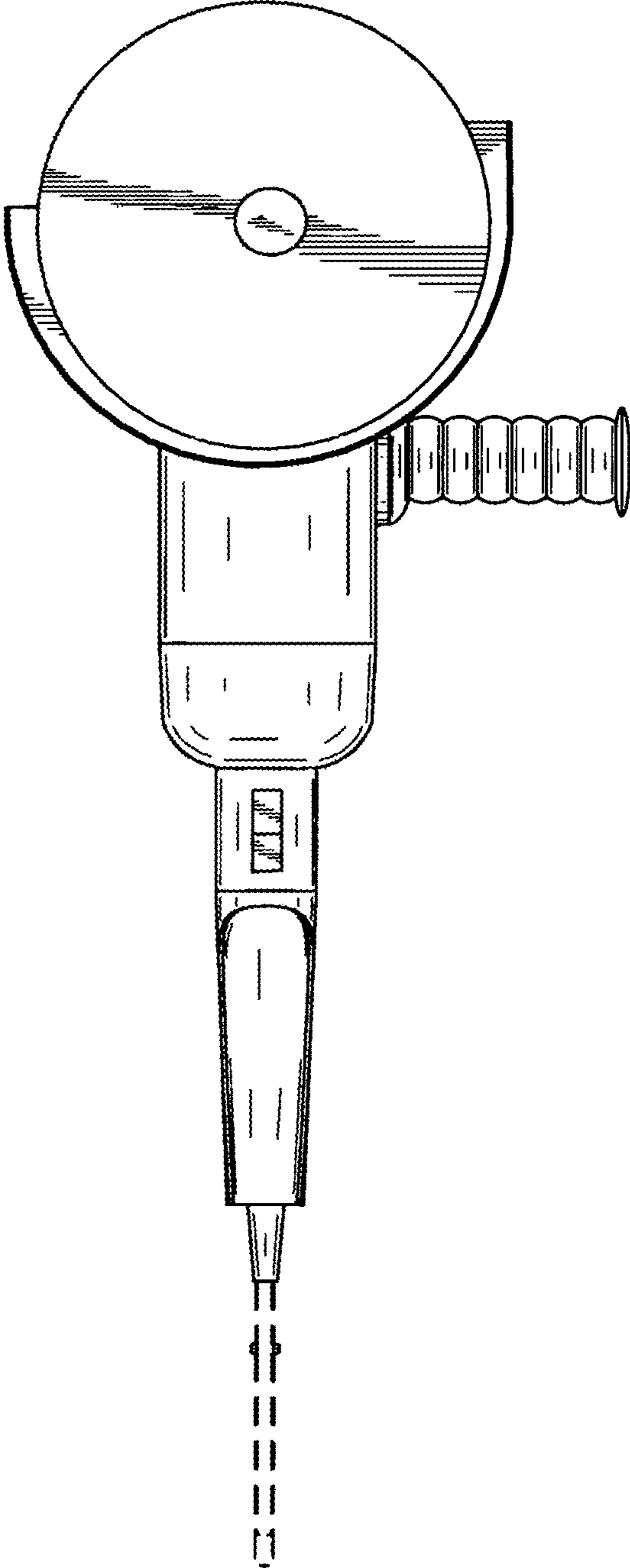


FIG. 3

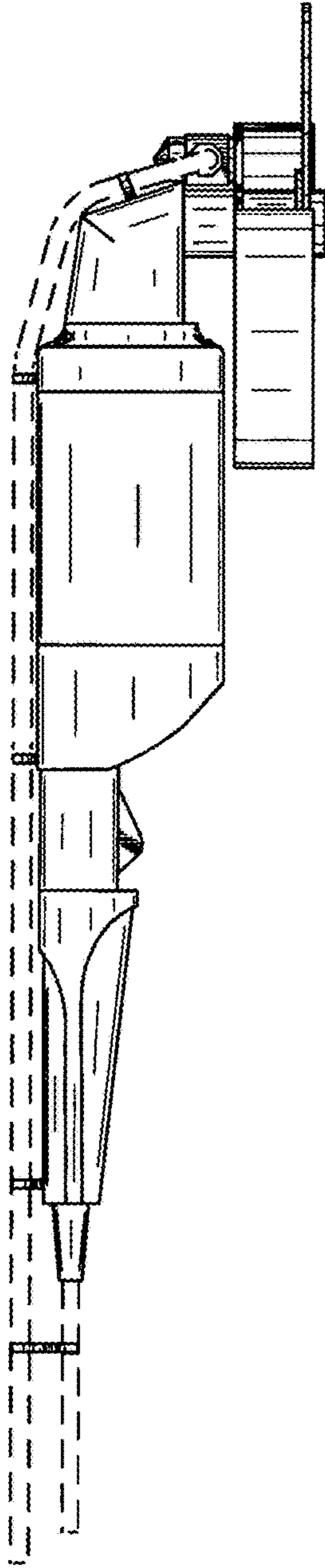


FIG. 4

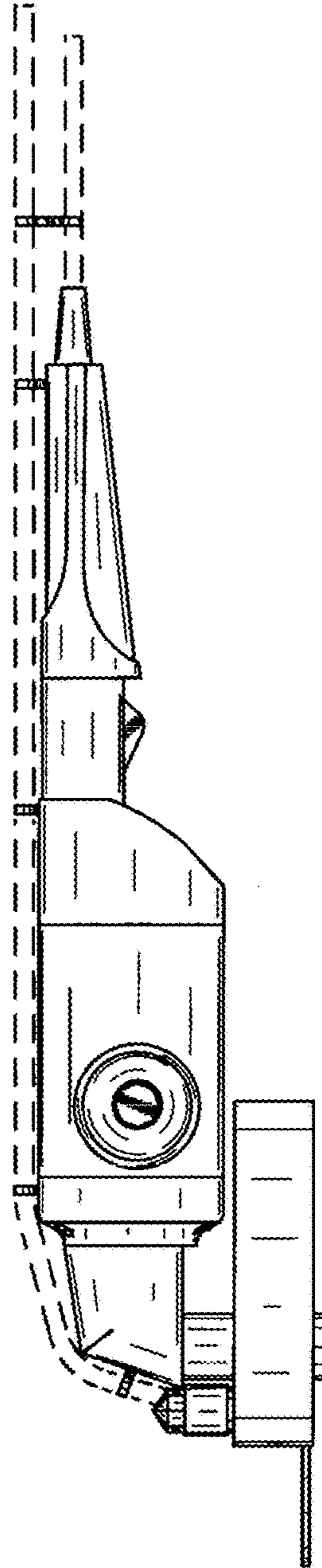


FIG. 5

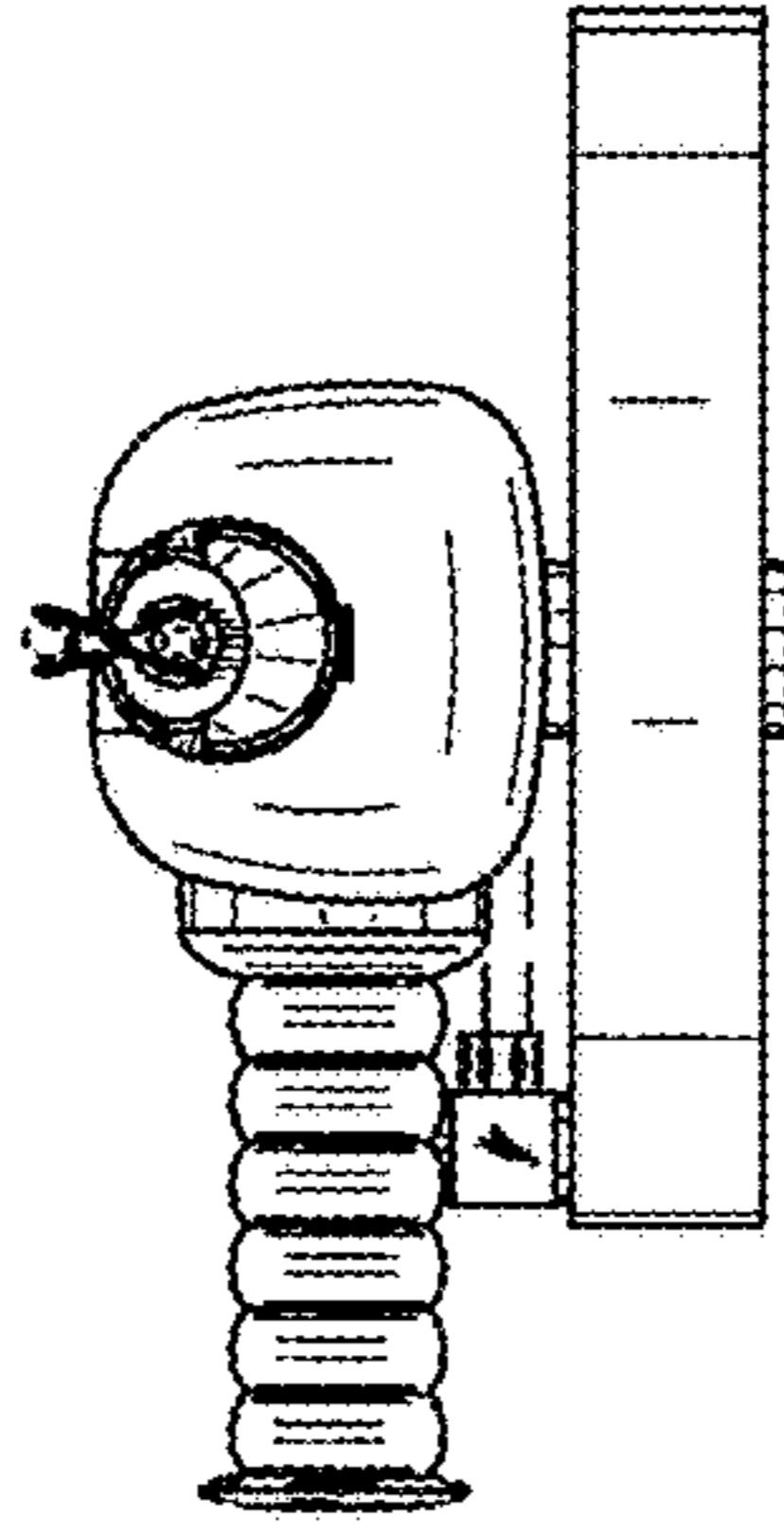


FIG. 6

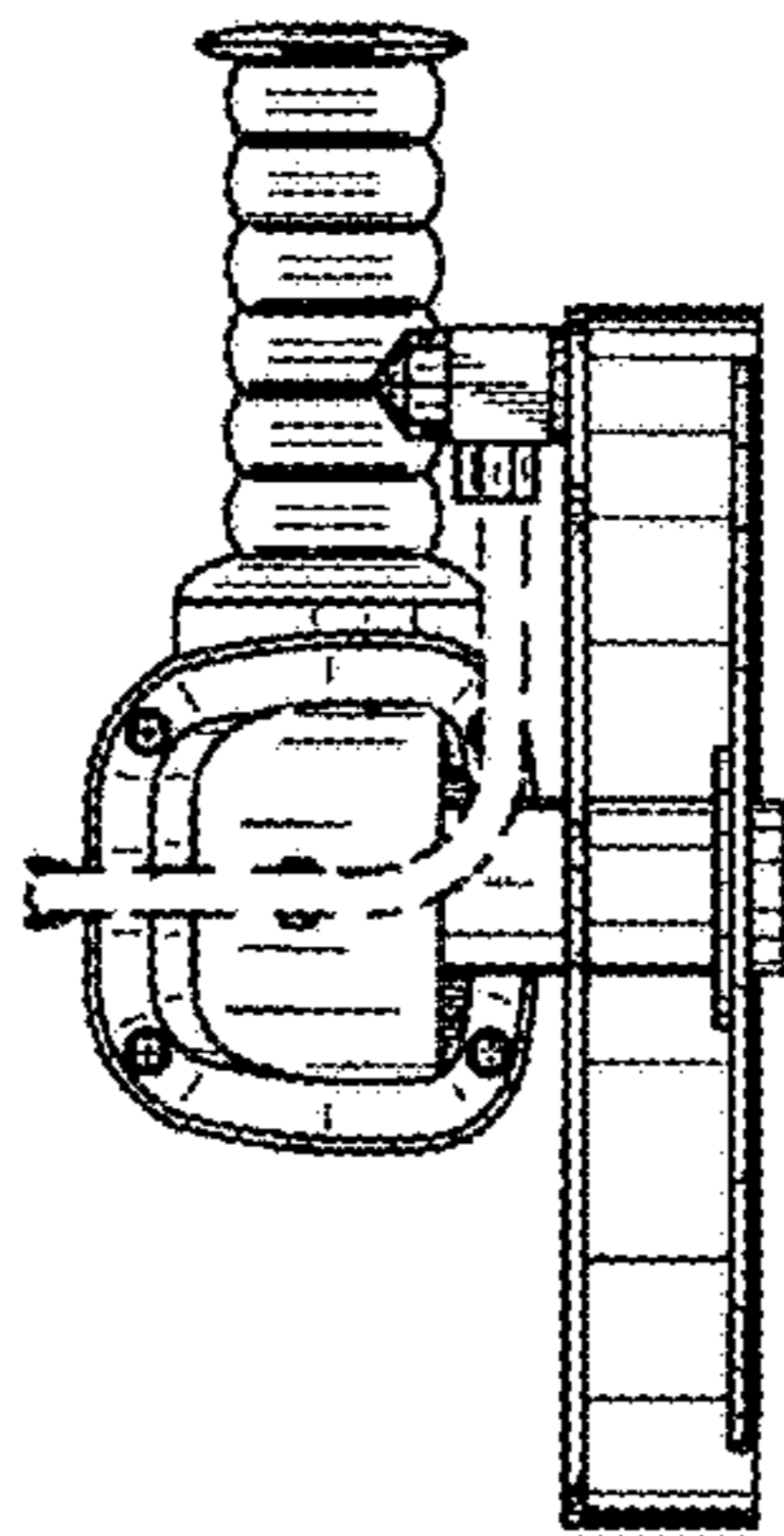


FIG. 7