



US00D787907S

(12) **United States Design Patent**
Exley

(10) **Patent No.:** **US D787,907 S**

(45) **Date of Patent:** **** May 30, 2017**

(54) **LIQUID-PLASTIC WELDING TOOL**

(71) Applicant: **ONTEL PRODUCTS CORPORATION**, Fairfield, NJ (US)

(72) Inventor: **Ross Exley**, Fairfield, NJ (US)

(73) Assignee: **ONTEL PRODUCTS CORPORATION**, Fairfield, NJ (US)

(**) Term: **15 Years**

(21) Appl. No.: **29/545,293**

(22) Filed: **Nov. 11, 2015**

(51) **LOC (10) Cl.** **08-05**

(52) **U.S. Cl.**
USPC **D8/30**

(58) **Field of Classification Search**
USPC D8/14, 29.1, 30, 51, 107; D15/144;
D24/215
CPC B29C 66/43; B29C 65/04; B29C 65/14;
B29C 65/1406; B29C 65/1409
See application file for complete search history.

(56) **References Cited**

U.S. PATENT DOCUMENTS

D338,142 S * 8/1993 Sarkissian D8/30
D343,629 S * 1/1994 Bode D15/144

D350,885 S * 9/1994 Sperling D8/30
6,374,893 B1 * 4/2002 Behl B29C 65/10
156/497
D485,910 S * 1/2004 Chan D24/215
D638,270 S * 5/2011 Flattinger D8/107
D647,382 S * 10/2011 Flattinger D8/107
D740,630 S * 10/2015 Hasenmayer D8/30

* cited by examiner

Primary Examiner — Phillip S Hyder

(74) *Attorney, Agent, or Firm* — Epstein Drangel LLP;
Robert L. Epstein

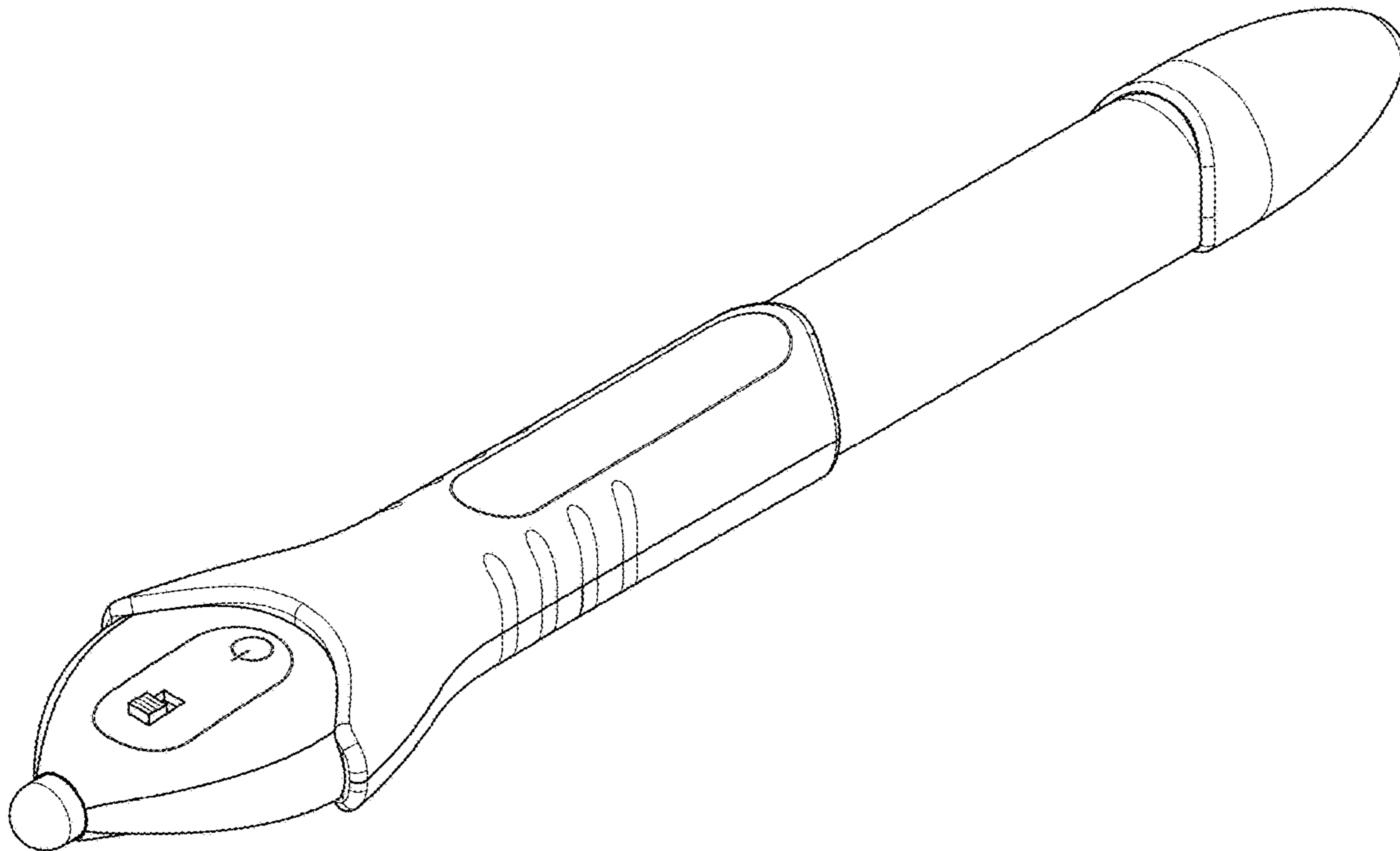
(57) **CLAIM**

The ornamental design for a liquid-plastic welding tool, substantially as shown and described.

DESCRIPTION

FIG. 1 is a perspective view showing the front, top and left side of my design;
FIG. 2 is a perspective view showing the front, bottom and right side of my design;
FIG. 3 is an elevation view showing the front of my design;
FIG. 4 is an elevation view showing the rear of my design;
FIG. 5 is an elevation view showing the left side of my design;
FIG. 6 is an elevation view showing the right side of my design;
FIG. 7 is a plan view showing the top of my design; and,
FIG. 8 is a plan view showing the bottom of my design.

1 Claim, 5 Drawing Sheets



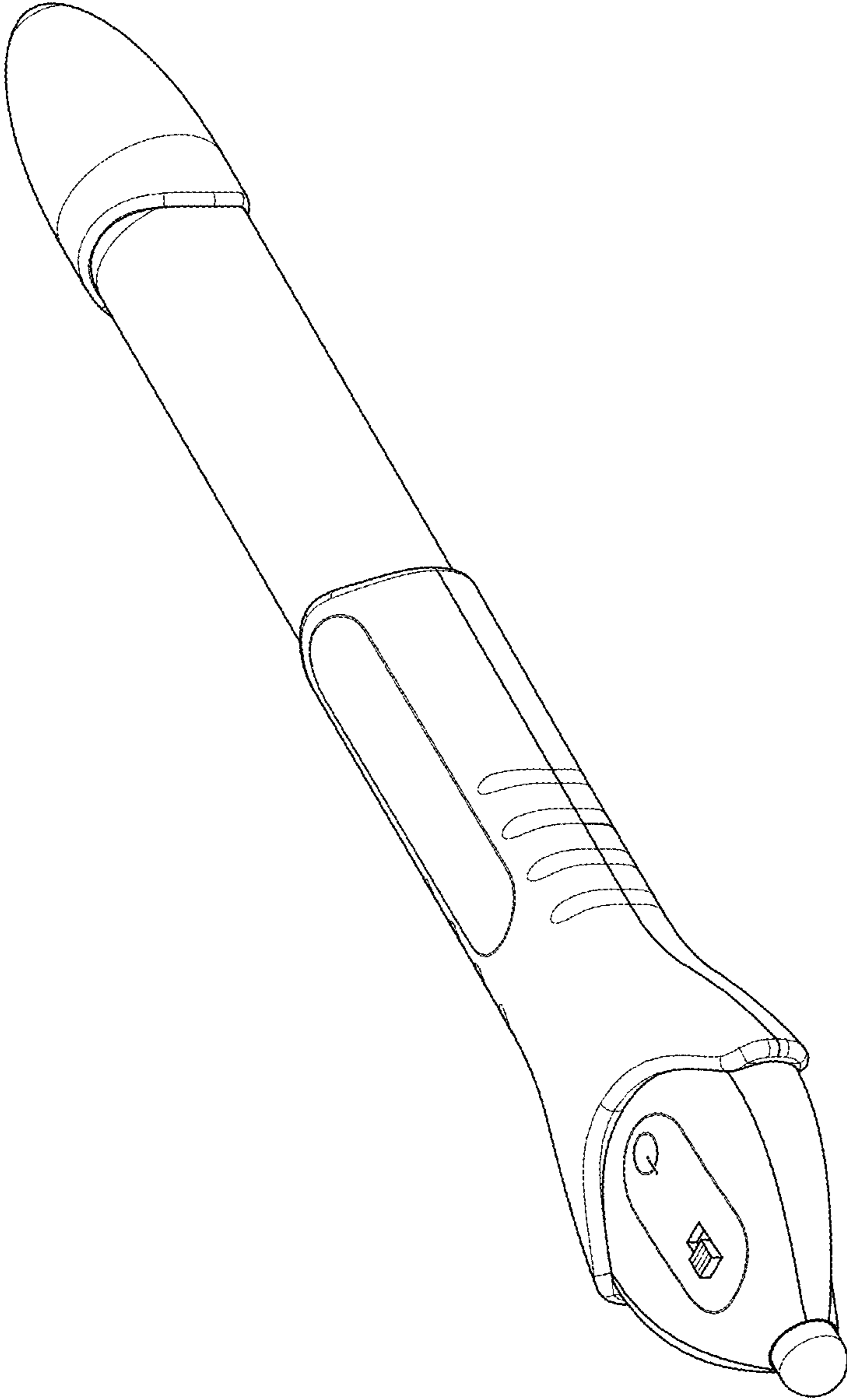


FIG. 1

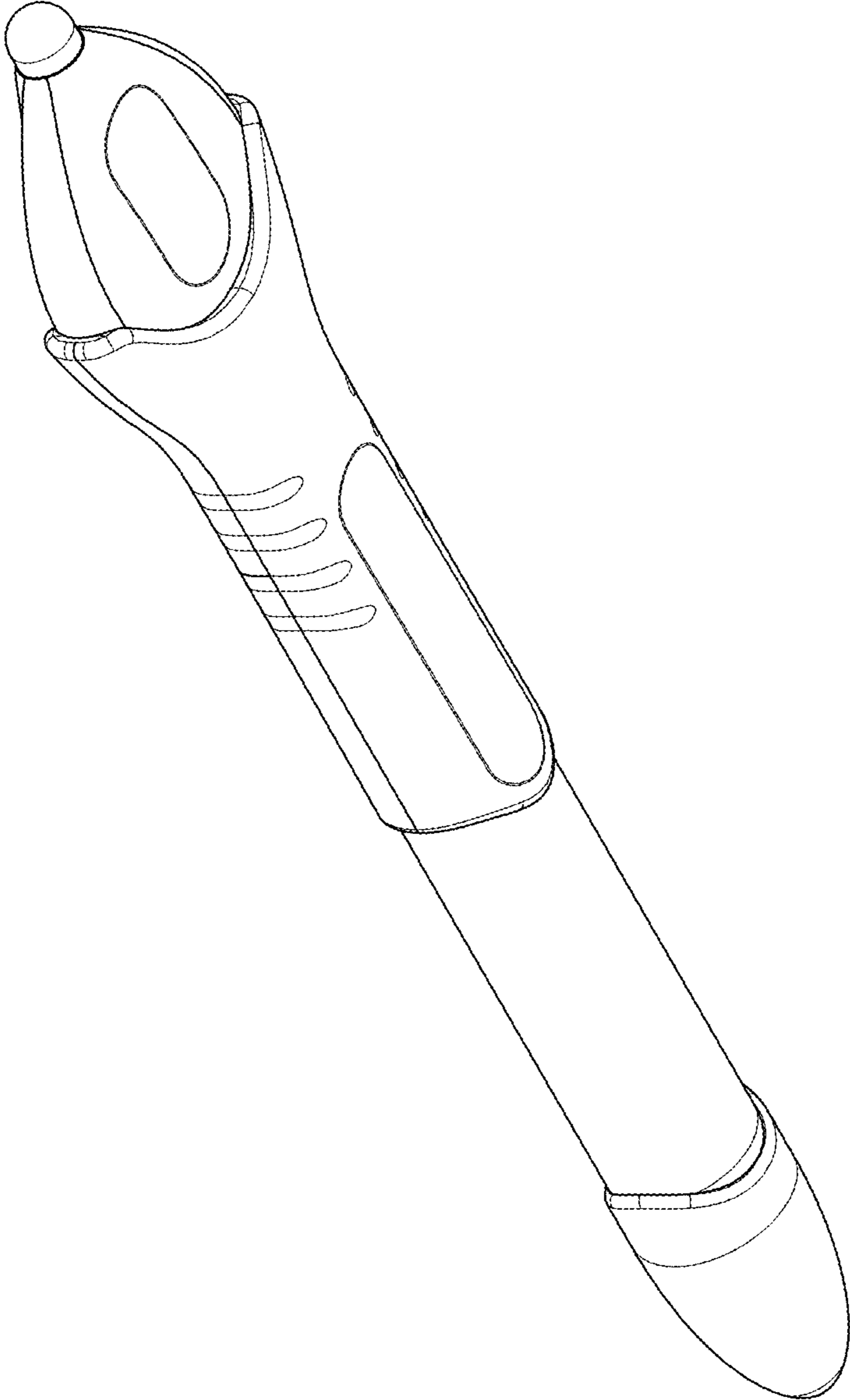


FIG. 2

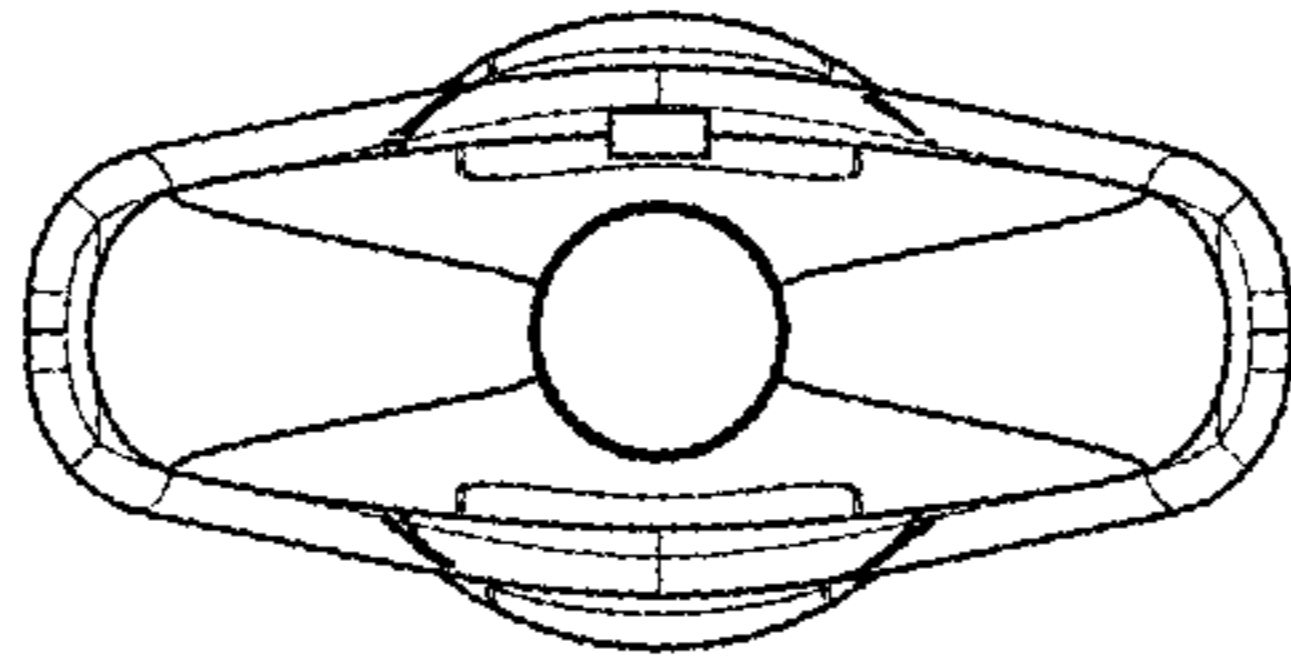


FIG. 3

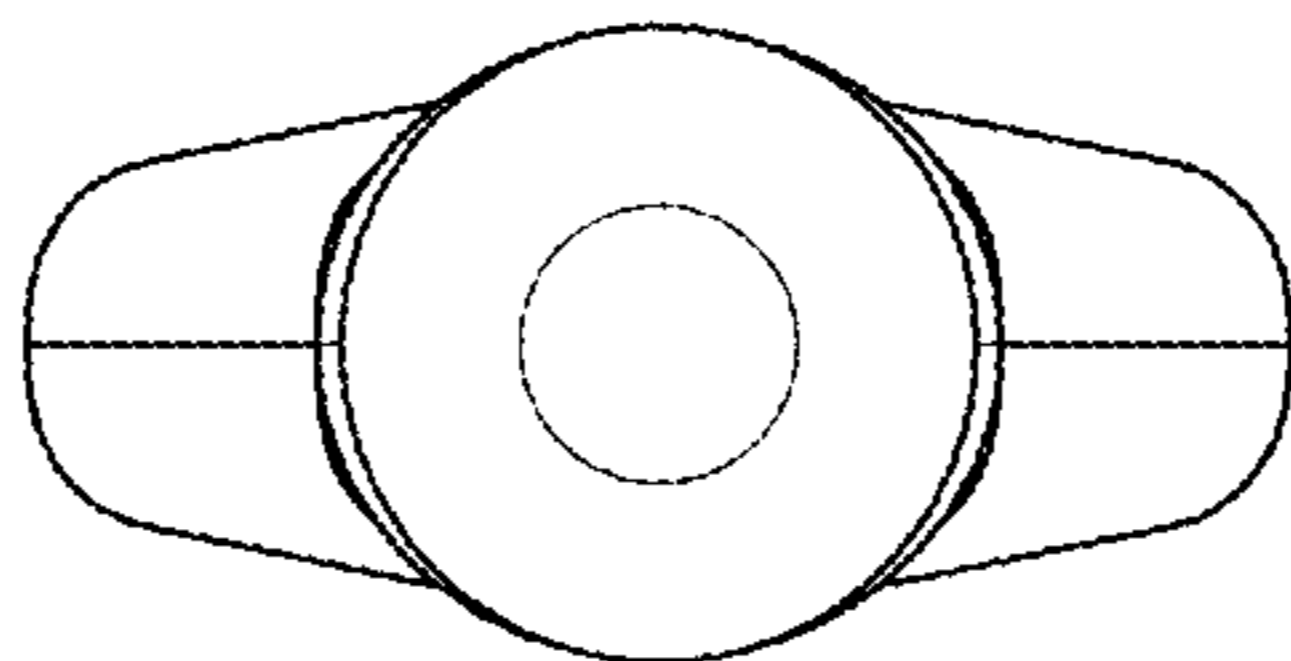


FIG. 4

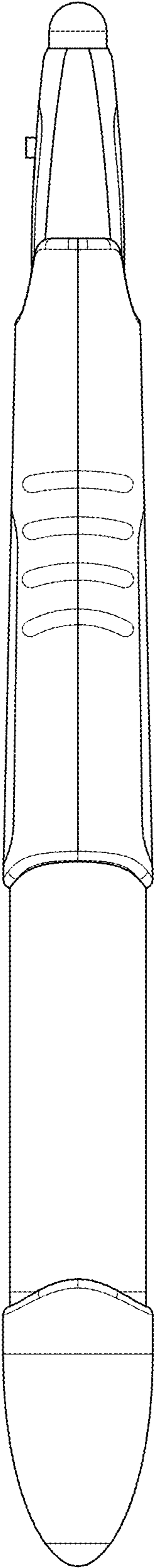


FIG. 5

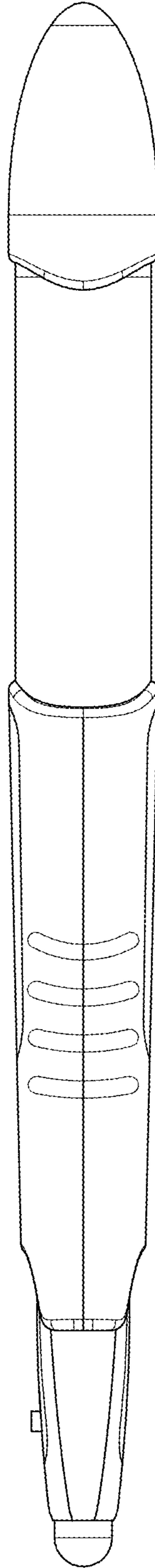


FIG. 6

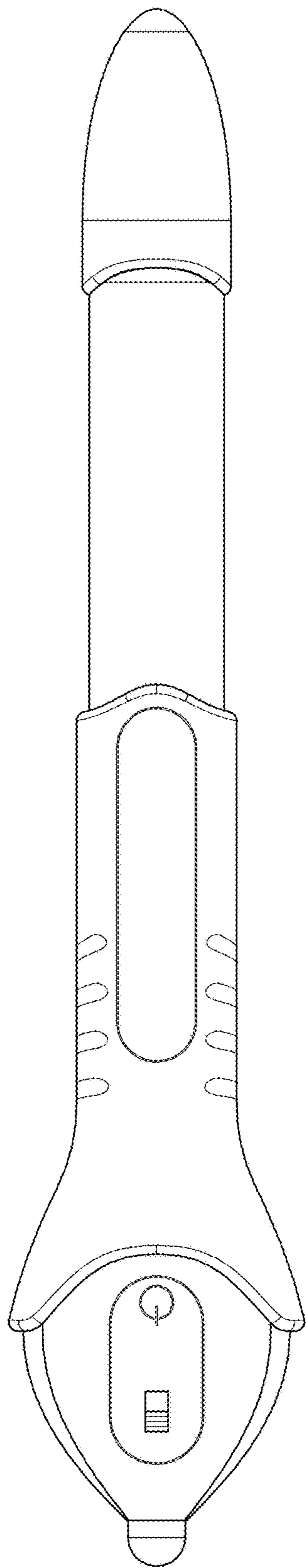


FIG. 7

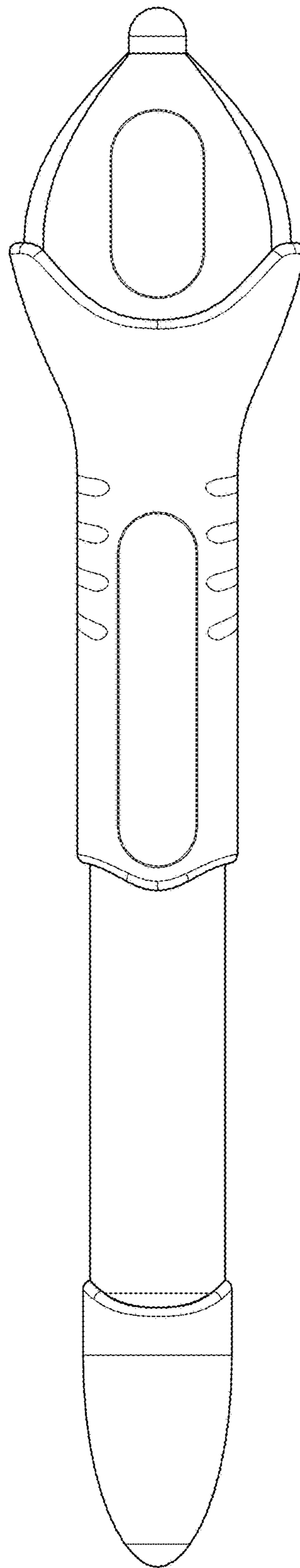


FIG. 8