



US00D787906S

(12) **United States Design Patent**  
**Chang**

(10) **Patent No.:** **US D787,906 S**

(45) **Date of Patent:** **\*\* May 30, 2017**

(54) **SOCKET**

(71) Applicant: **Ya-Shun Chang**, Taichung (TW)

(72) Inventor: **Ya-Shun Chang**, Taichung (TW)

(\*\*) Term: **15 Years**

(21) Appl. No.: **29/563,260**

(22) Filed: **May 3, 2016**

(51) **LOC (10) Cl.** ..... **08-05**

(52) **U.S. Cl.**  
USPC ..... **D8/29**

(58) **Field of Classification Search**  
USPC ..... D8/29; 81/60, 177.1, 177.85, 121.1,  
81/124.3, 165-170, 110.1, 176.2, 124.6,  
81/176.1, 176.15, 177.2, 186; 16/110.1  
CPC ..... B25B 13/06; B25B 13/065  
See application file for complete search history.

(56) **References Cited**

U.S. PATENT DOCUMENTS

6,098,501 A *	8/2000	Sundstrom	.....	B25B 13/04
				81/119
D524,615 S *	7/2006	Albertson	.....	D8/29
D526,172 S *	8/2006	Lin	.....	D8/29
D570,657 S *	6/2008	Hsieh	.....	D8/29
8,869,660 B2 *	10/2014	Hsieh	.....	B25B 13/04
				81/119

D745,813 S *	12/2015	Hsieh	.....	D8/29
D749,388 S *	2/2016	Lee	.....	D8/29
D751,363 S *	3/2016	Chang	.....	D8/29

\* cited by examiner

*Primary Examiner* — Randall Gholson

(74) *Attorney, Agent, or Firm* — Muncy, Geissler, Olds & Lowe, P.C.

(57) **CLAIM**

I claim the ornamental design for a socket, as shown and described.

**DESCRIPTION**

FIG. 1 is a perspective view of a socket showing my new design;

FIG. 2 is a top plan view thereof;

FIG. 3 is a cross-sectional view of the socket, taken along line A-A in FIG. 2 thereof;

FIG. 4 is an embodiment showing the socket in use thereof;

FIG. 5 is another embodiment of the socket thereof; and,

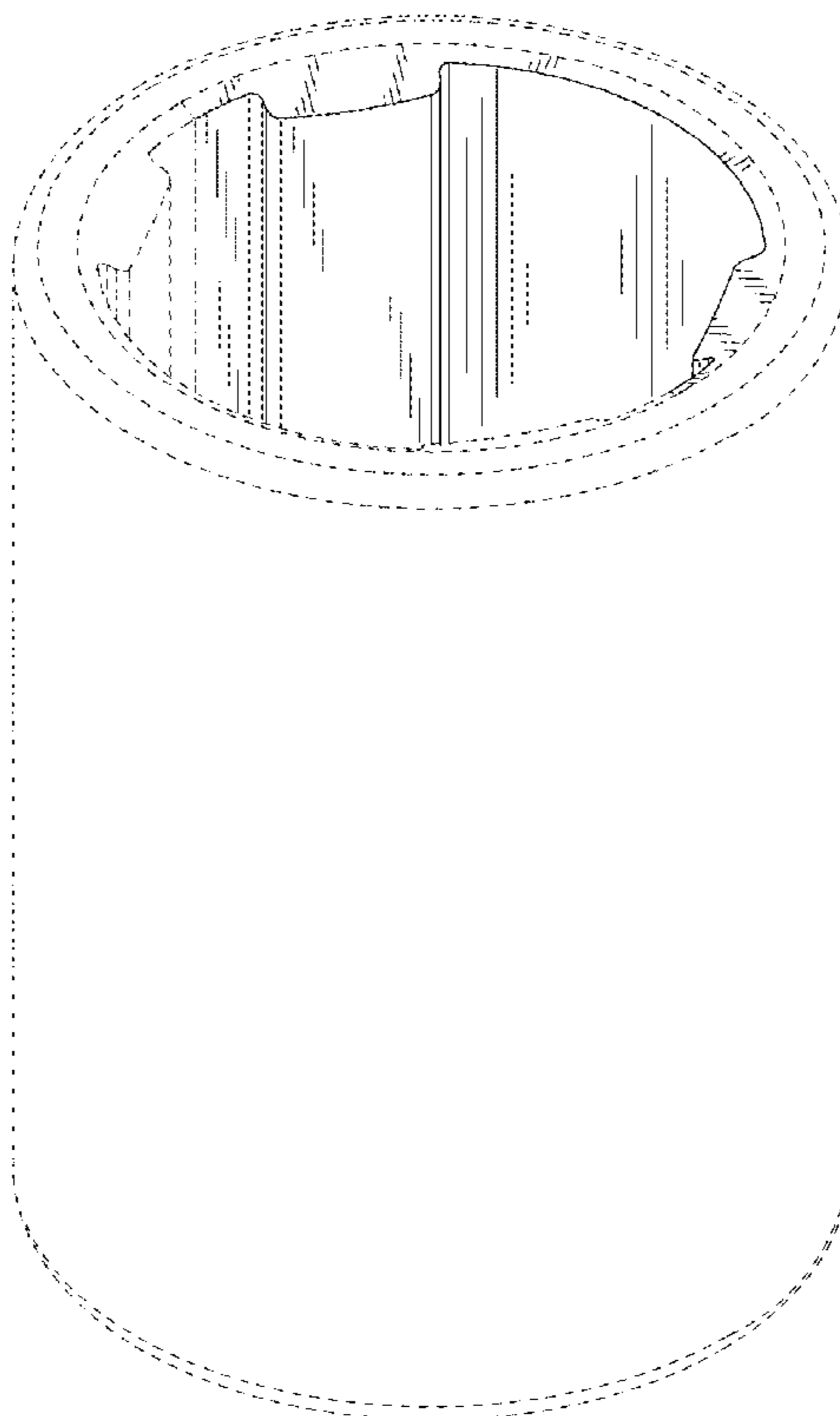
FIG. 6 is another embodiment showing the socket in use.

The front, rear, left side, right side and bottom views are devoid of claimed ornamentation, and are omitted from the drawings.

The dot-dashed line in the figures defines the boundary of claimed and unclaimed objects, and the dot-dashed line forms no part of the claimed design.

The broken lines in the drawings illustrate portions of the socket which form no part of the claimed design.

**1 Claim, 6 Drawing Sheets**



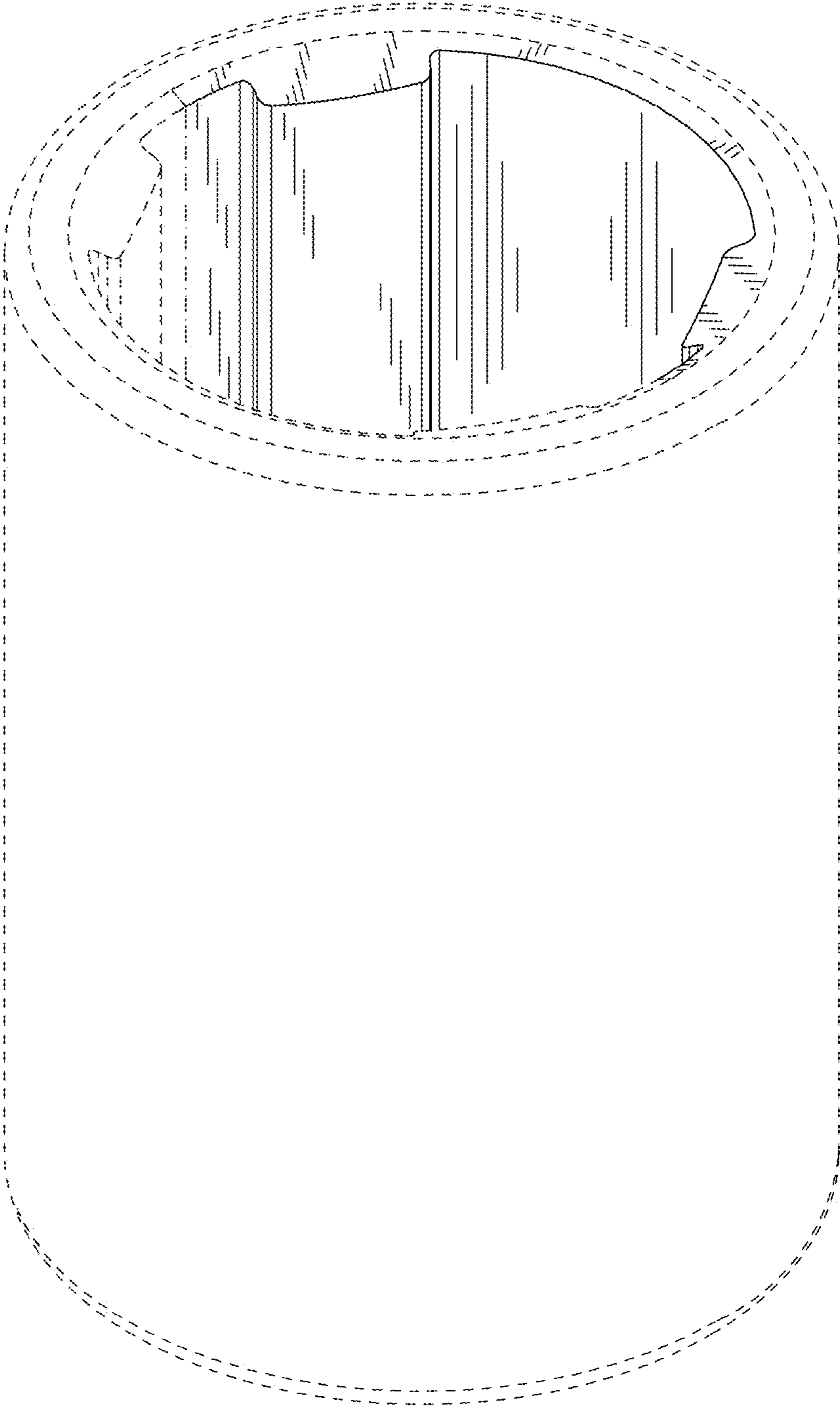


FIG. 1

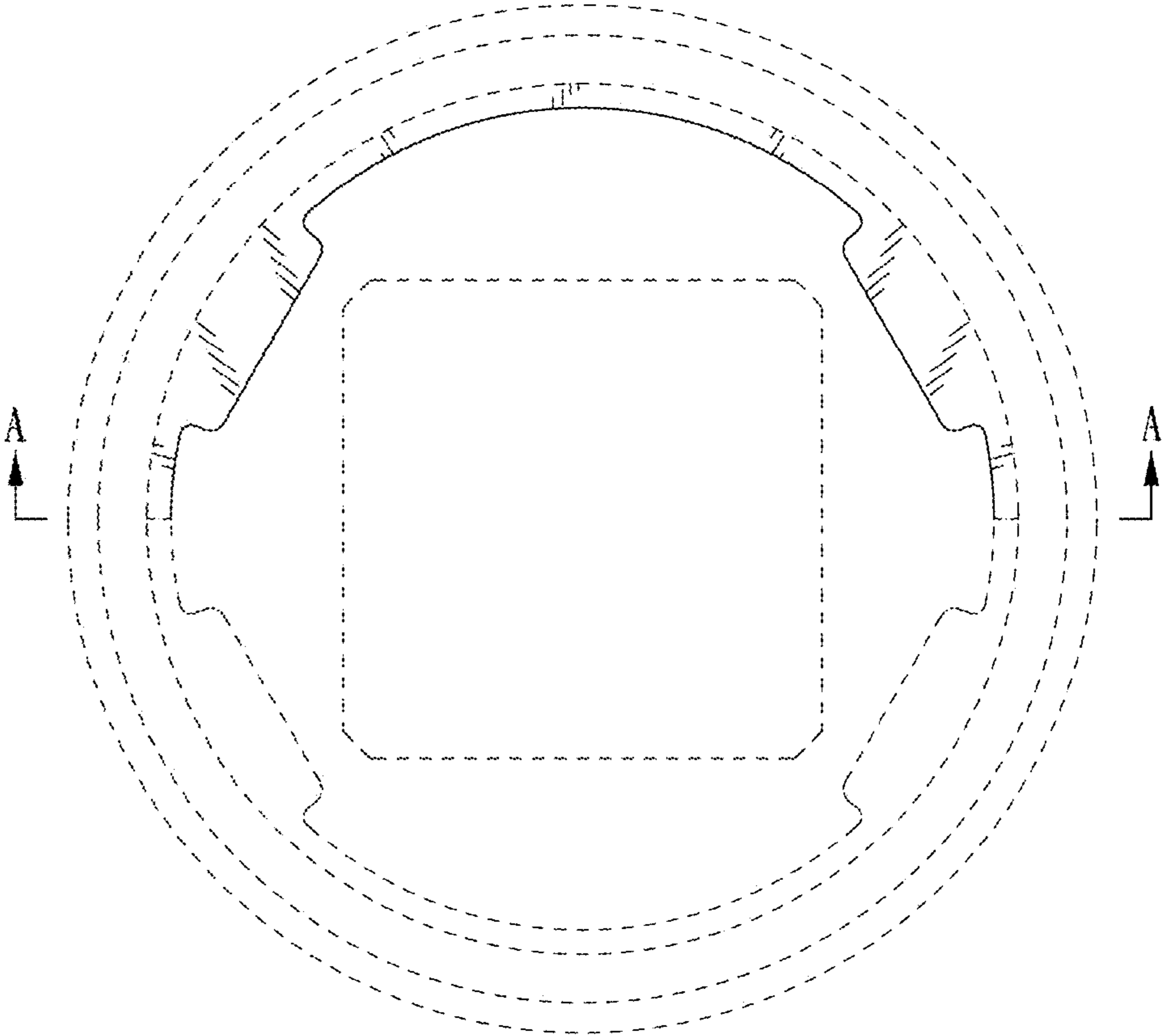


FIG. 2

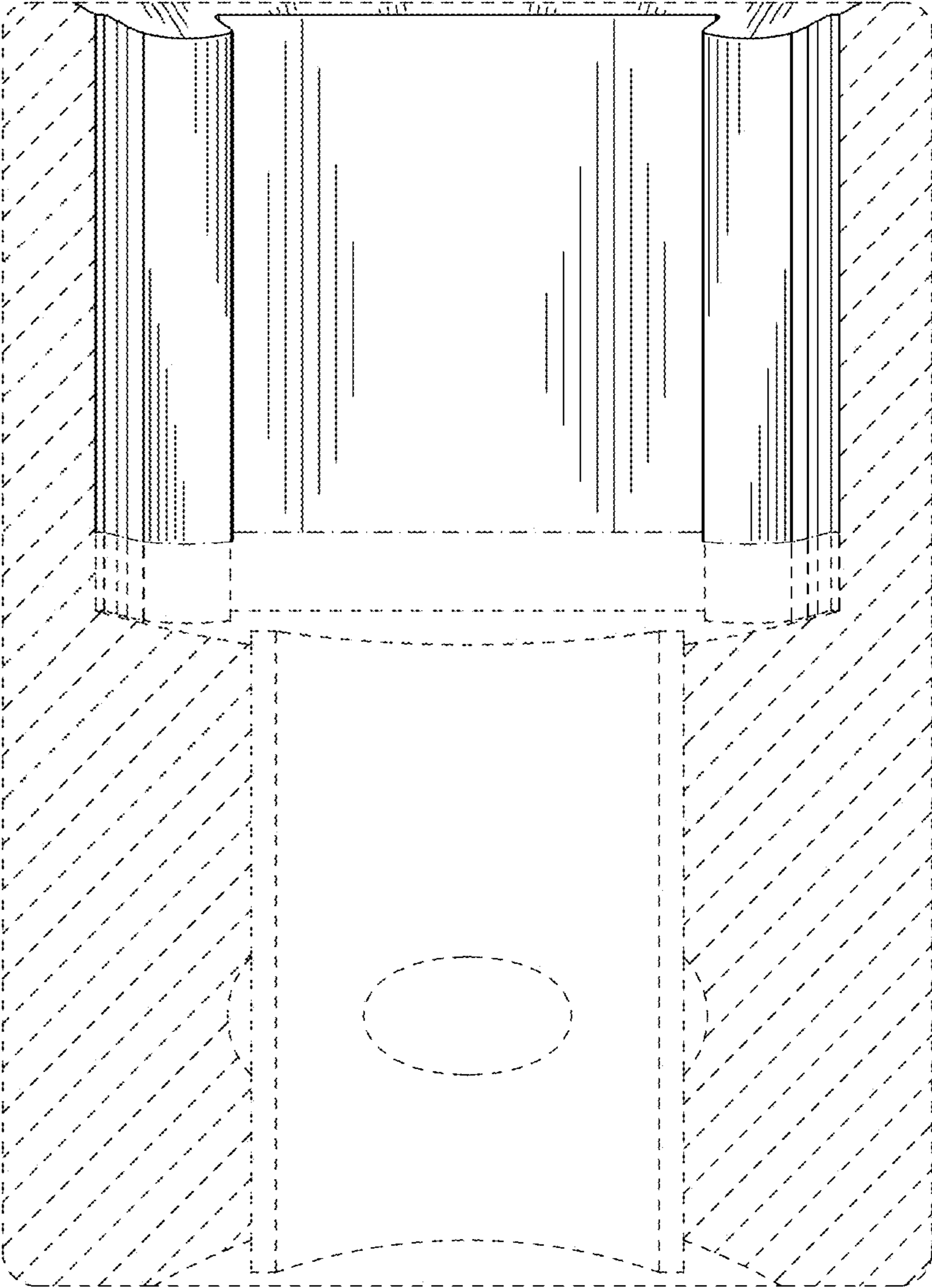


FIG. 3

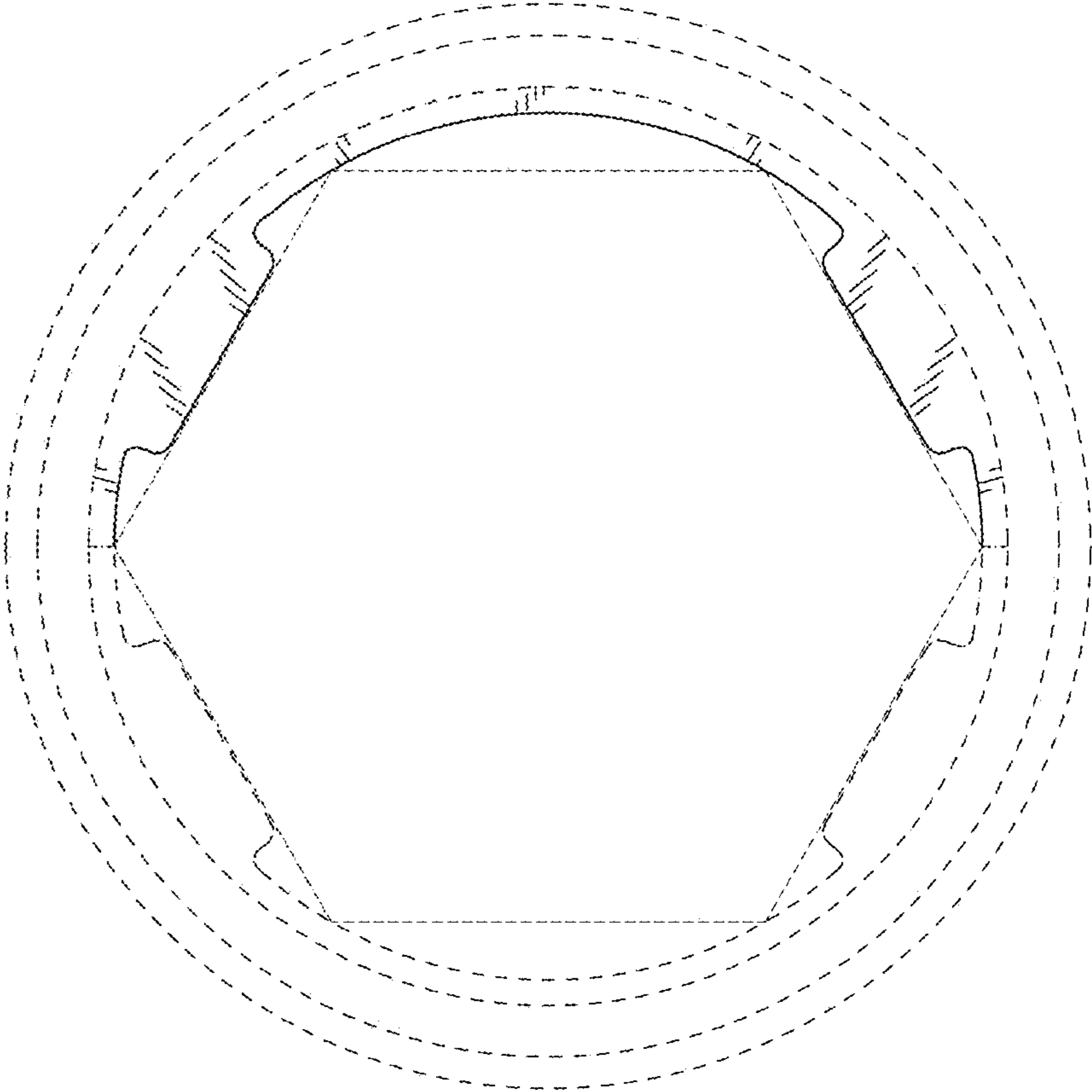


FIG. 4

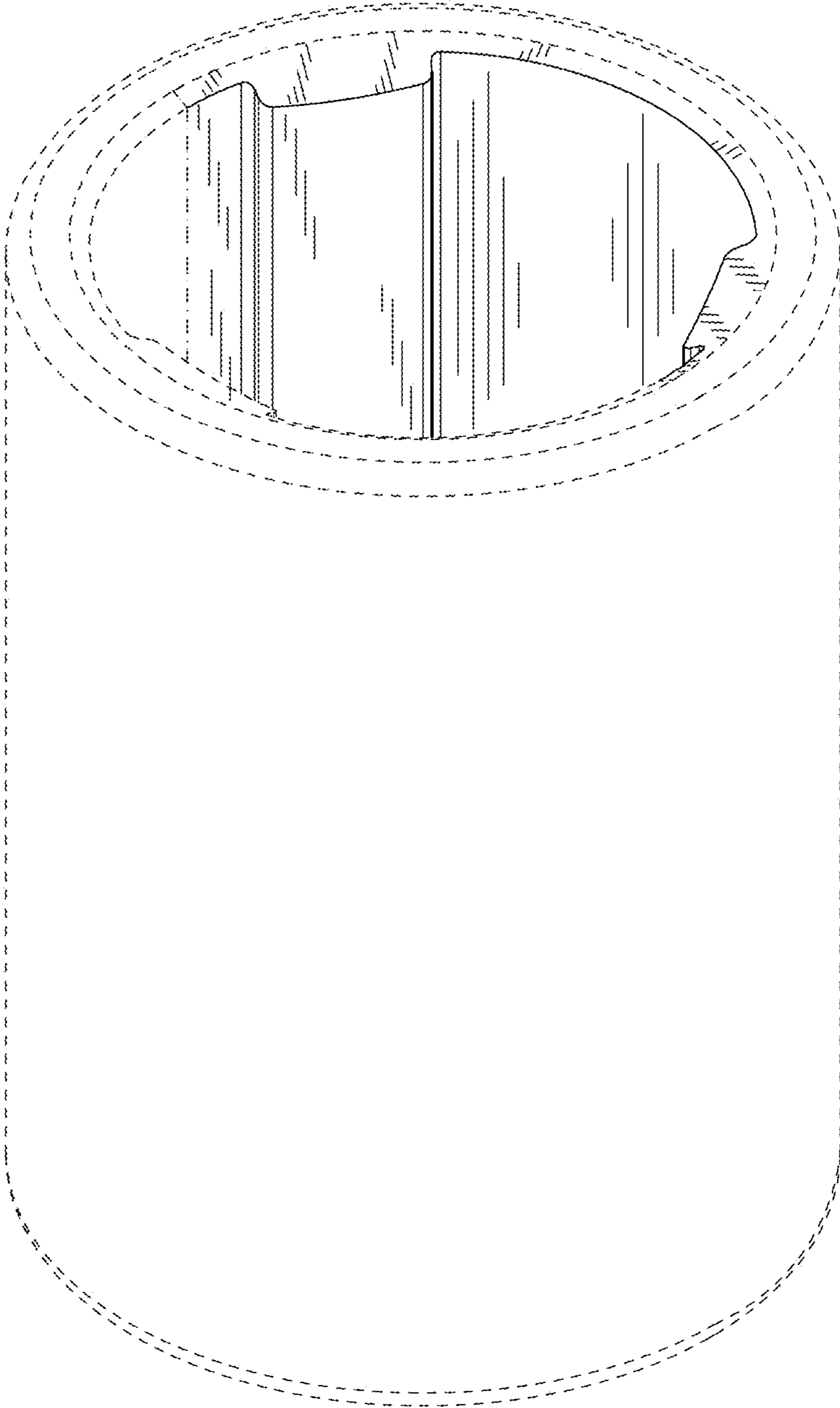


FIG. 5

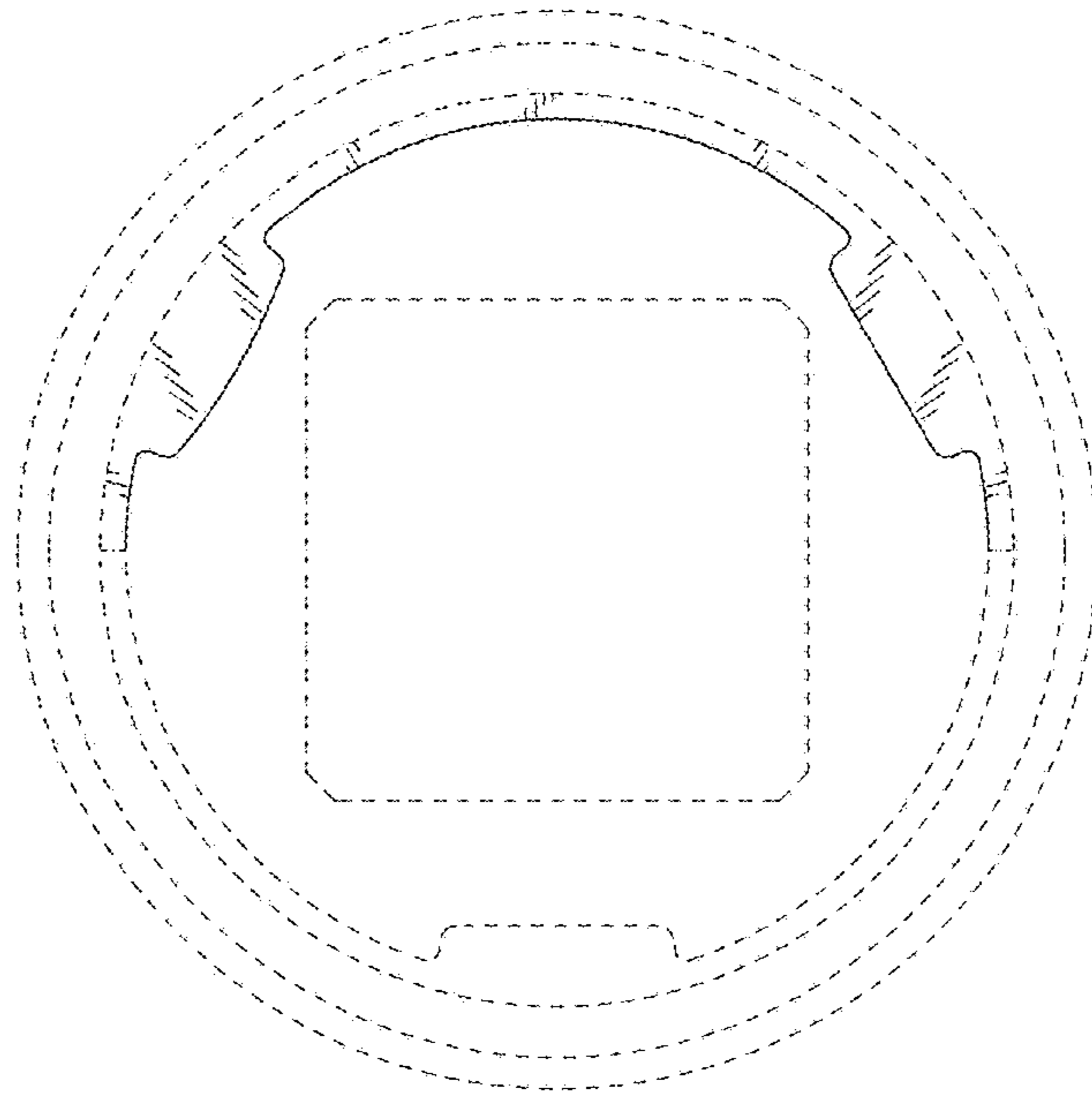


FIG. 6