



US00D787905S

(12) **United States Design Patent**
Segall

(10) **Patent No.:** **US D787,905 S**

(45) **Date of Patent:** **** May 30, 2017**

(54) **WRENCH**

(71) Applicant: **Stuart C. Segall**, San Diego, CA (US)

(72) Inventor: **Stuart C. Segall**, San Diego, CA (US)

(**) Term: **15 Years**

(21) Appl. No.: **29/560,374**

(22) Filed: **Apr. 6, 2016**

(51) **LOC (10) Cl.** **08-05**

(52) **U.S. Cl.**
USPC **D8/27; D8/25**

(58) **Field of Classification Search**
USPC D8/17, 21-29; 81/58, 58.2, 119, 124.2,
81/124.4, 125.1, 186
CPC B25B 13/02; B25B 13/08; B25B 13/04;
B25B 13/065
See application file for complete search history.

(56) **References Cited**

U.S. PATENT DOCUMENTS

1,793,714 A * 2/1931 Newberg B25B 13/08
81/125.1
1,802,832 A * 4/1931 Priddle B25B 13/08
81/125.1

D489,234 S * 5/2004 Pyper D8/27
D506,370 S * 6/2005 Tuanmu D8/25
D515,889 S * 2/2006 Hu D8/25

* cited by examiner

Primary Examiner — Randall Gholson

(74) *Attorney, Agent, or Firm* — Gary L. Eastman, Esq.;
Eastman & McCartney LLP

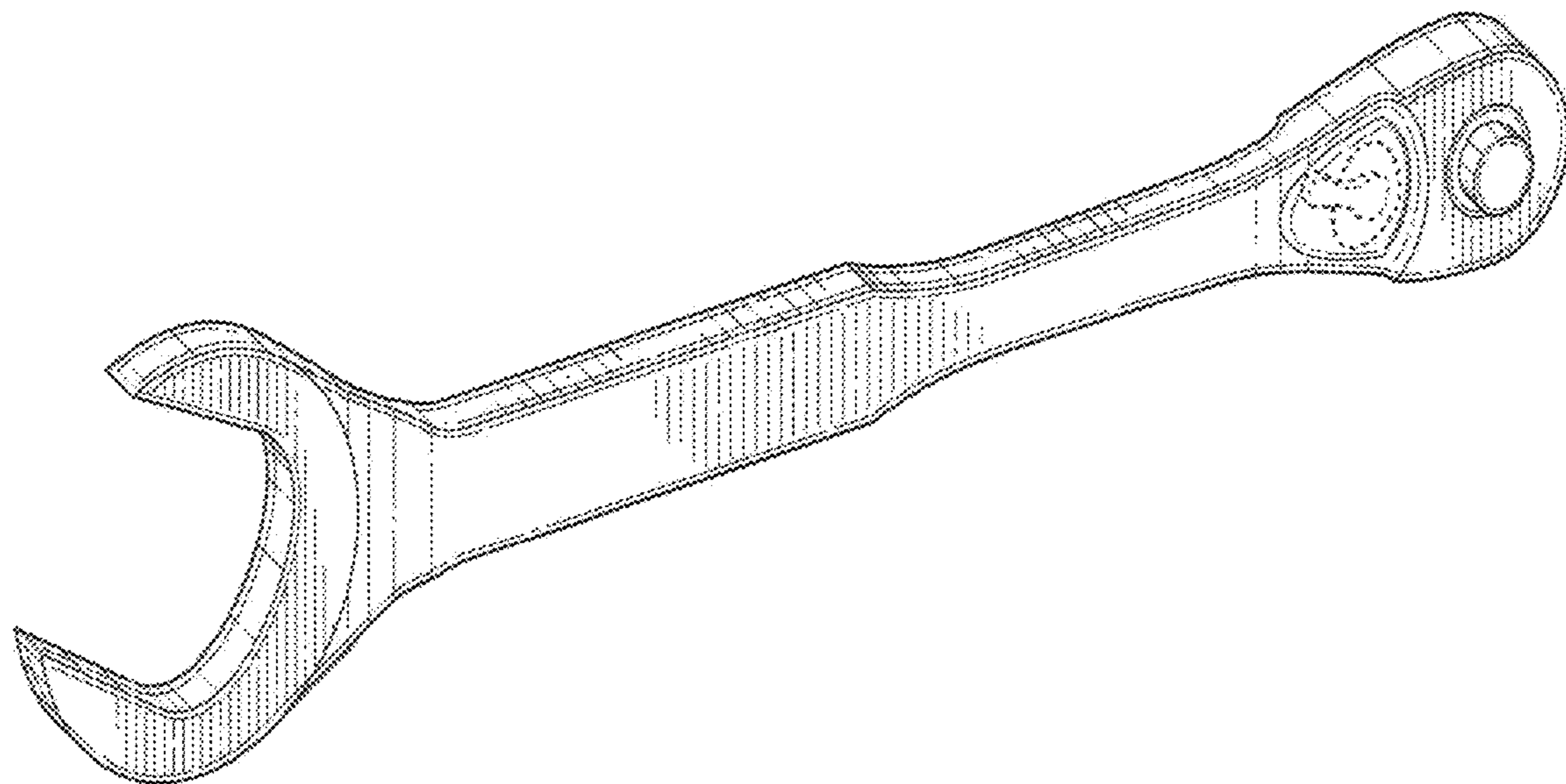
(57) **CLAIM**

The ornamental design for a wrench, as shown and described.

DESCRIPTION

FIG. 1 is a back perspective view of the wrench showing my new design;
FIG. 2 is a front perspective view of the wrench;
FIG. 3 is a front view of the wrench;
FIG. 4 is a back view of the wrench;
FIG. 5 is a right side view of the wrench;
FIG. 6 is a left side view of the wrench;
FIG. 7 is a top view of the wrench; and,
FIG. 8 is a bottom view of the wrench.
No claim is made to the features of the wrench shown in dashed lines.

1 Claim, 5 Drawing Sheets



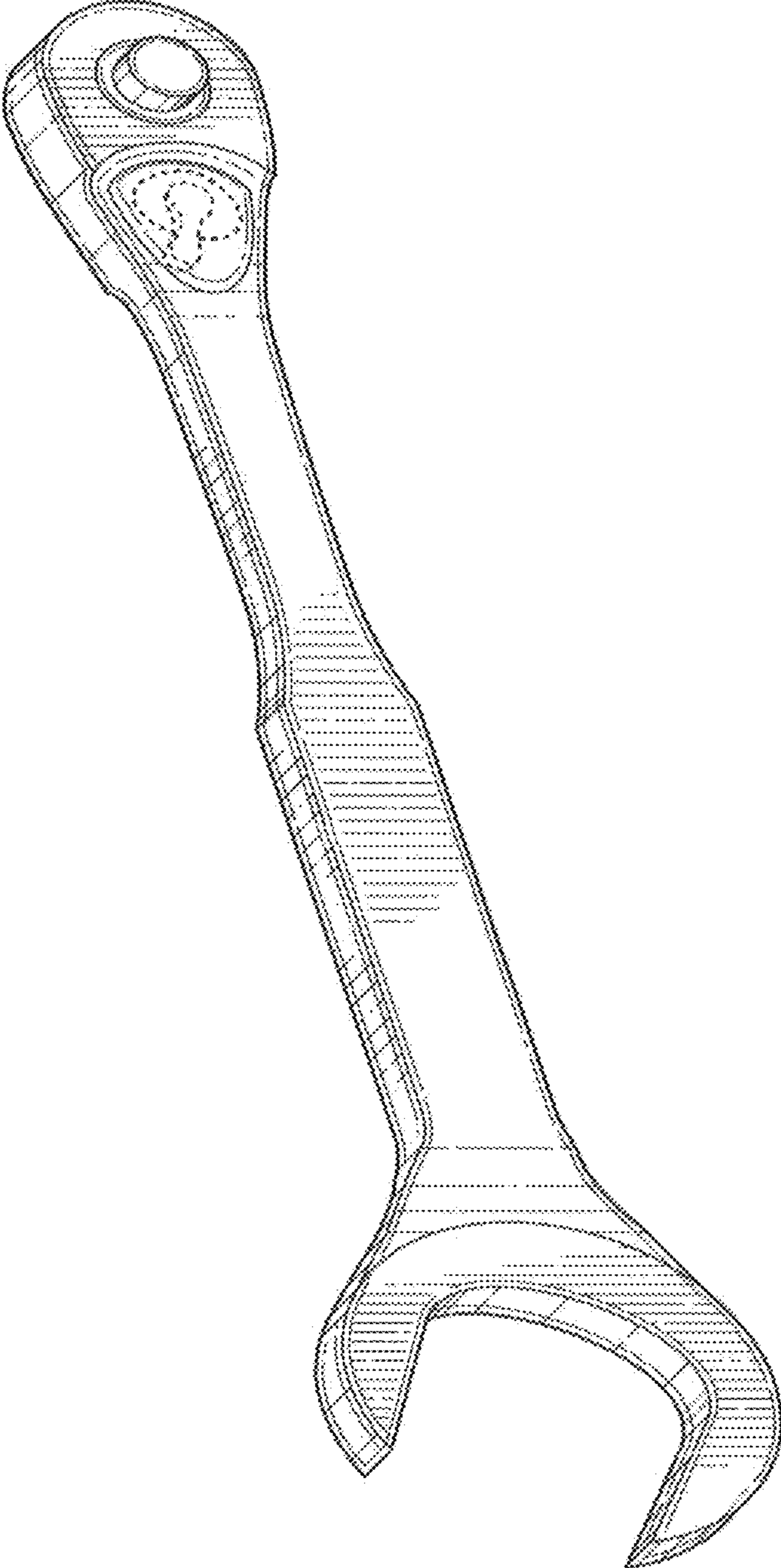


FIG. 1

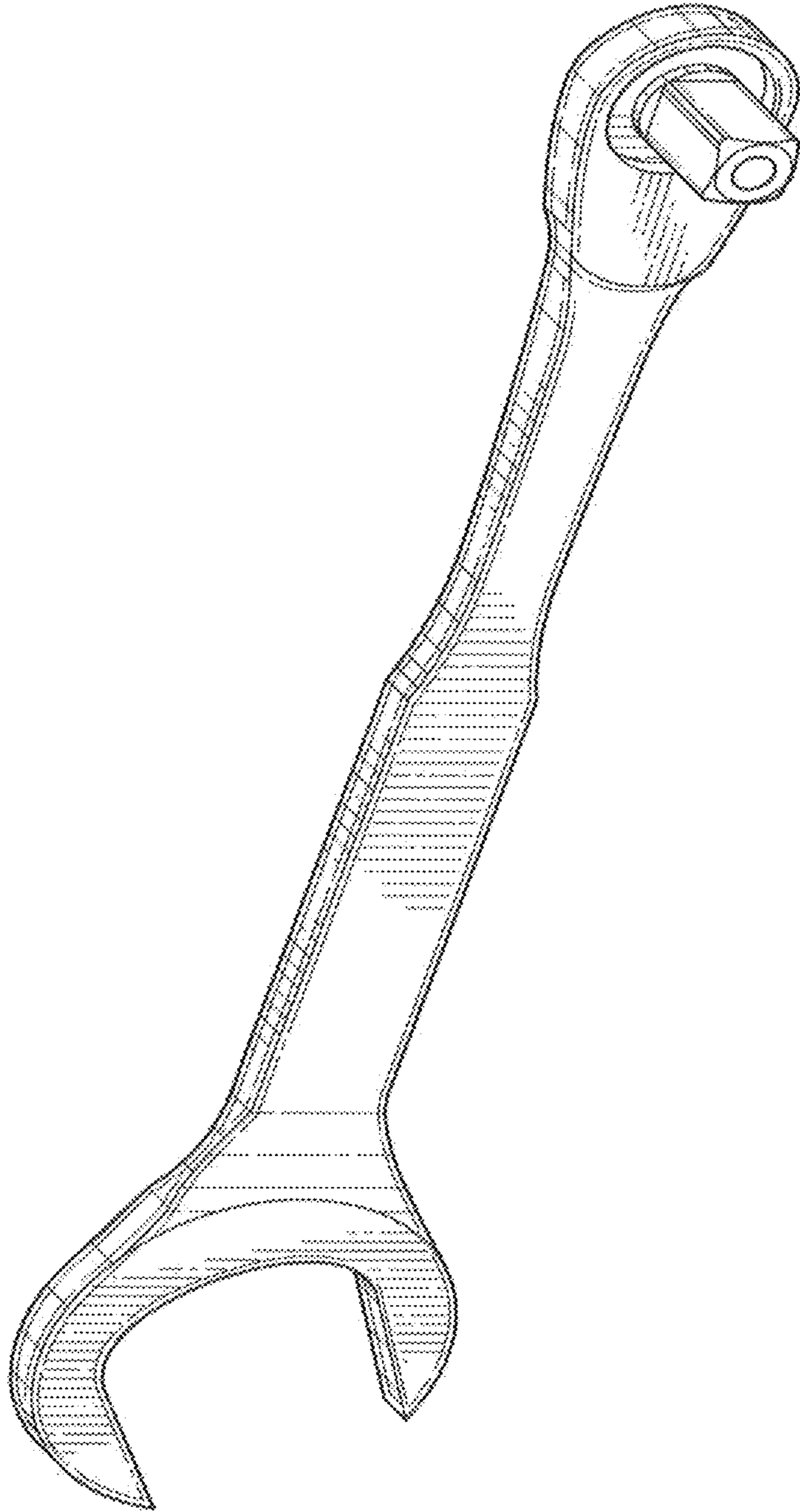


FIG. 2

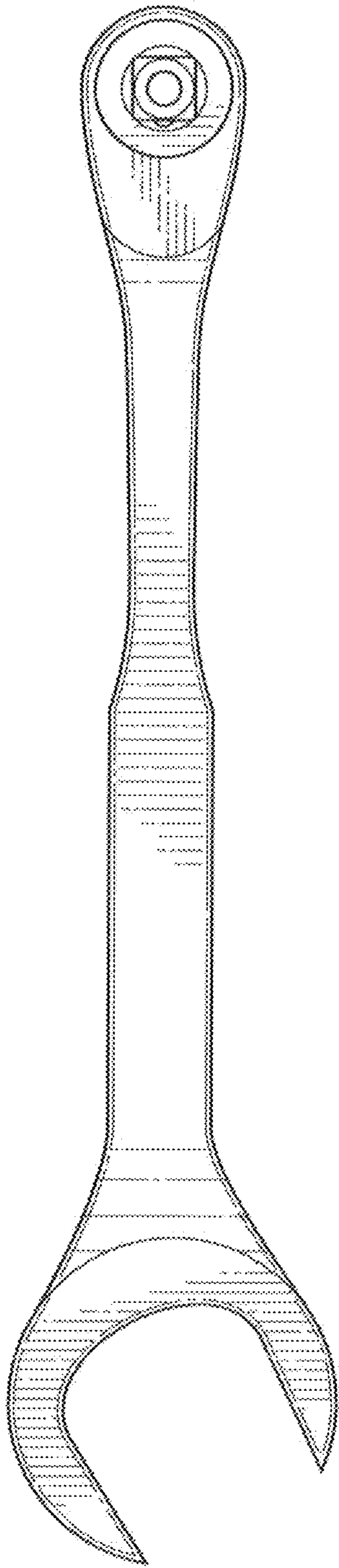


FIG. 3

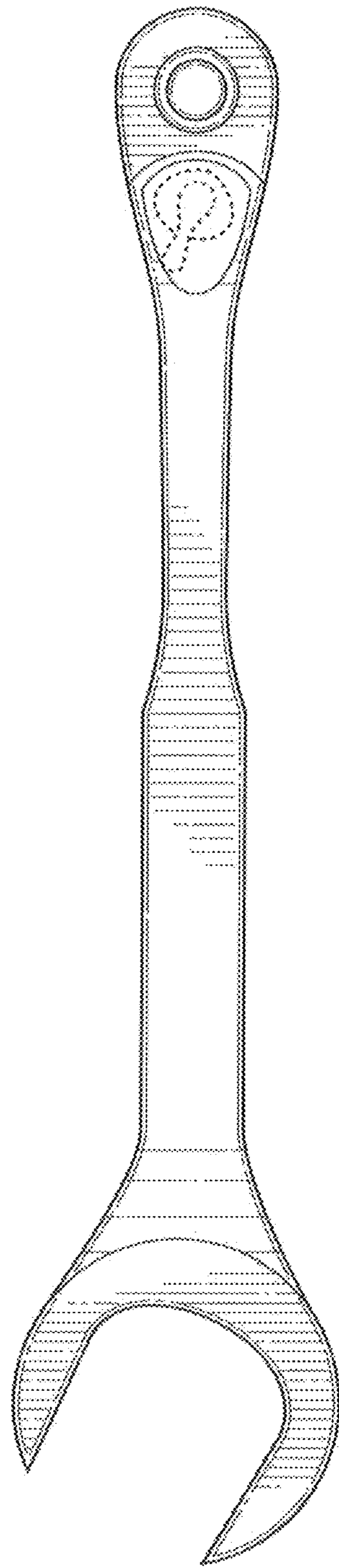


FIG. 4

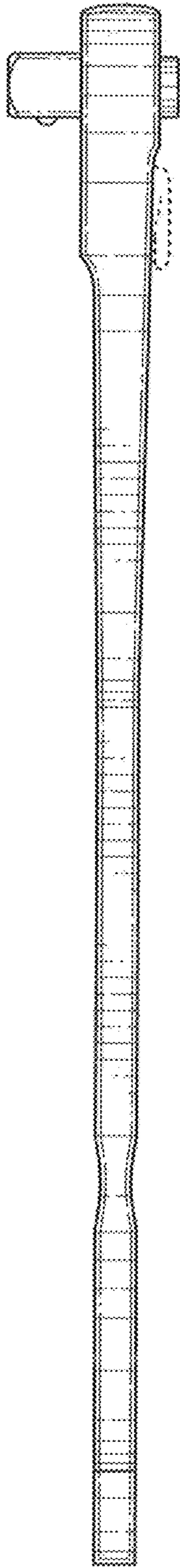


FIG. 5

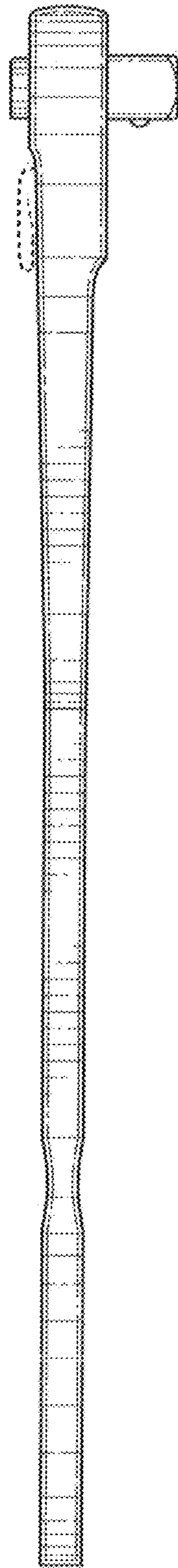


FIG. 6

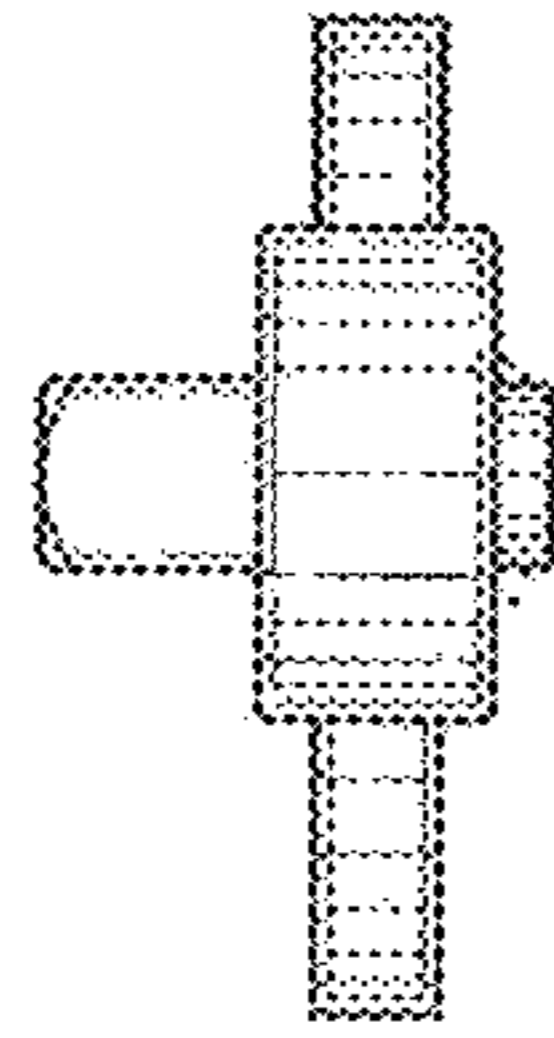


FIG. 7

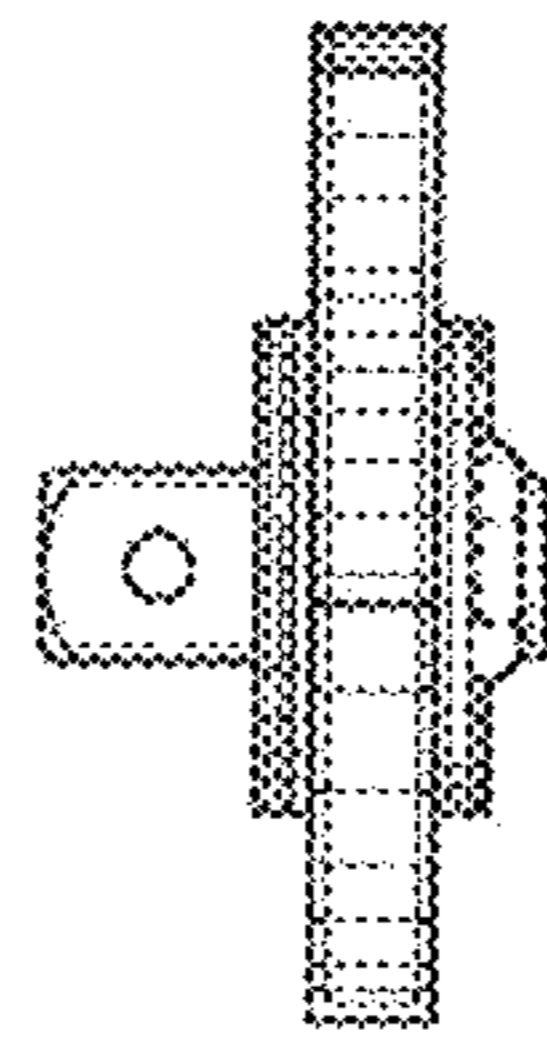


FIG. 8