



US00D787903S

(12) **United States Design Patent** (10) **Patent No.:** **US D787,903 S**  
**Atwell et al.** (45) **Date of Patent:** **\*\* May 30, 2017**

- (54) **SEWER HOSE SUPPORT HANDLE**
- (71) Applicants: **Jacob C. Atwell**, Greensboro, NC (US);  
**Brandon W. Blakely**, Burlington, NC (US)
- (72) Inventors: **Jacob C. Atwell**, Greensboro, NC (US);  
**Brandon W. Blakely**, Burlington, NC (US)
- (73) Assignee: **Camco Manufacturing, Inc.**,  
Greensboro, NC (US)
- (\*\*) Term: **14 Years**
- (21) Appl. No.: **29/505,003**
- (22) Filed: **Apr. 17, 2015**
- (51) **LOC (10) Cl.** ..... **08-05**
- (52) **U.S. Cl.**  
USPC ..... **D8/14**
- (58) **Field of Classification Search**  
USPC ..... D8/14, 107, 71, 356, 367; D3/315  
CPC Y10T 16/469; Y10T 16/4696; Y10T 16/4707  
See application file for complete search history.

- 6,883,207 B2 \* 4/2005 Le Roux ..... A45F 5/1026  
16/406
- D530,052 S \* 10/2006 Berti ..... D32/53  
7,232,168 B2 \* 6/2007 Orefice ..... A45F 5/102  
294/137
- D559,679 S \* 1/2008 Findon ..... D9/434  
7,425,028 B1 9/2008 Angel
- D631,630 S \* 1/2011 Berti ..... D32/53  
D669,761 S \* 10/2012 Angel ..... D8/356  
D704,551 S \* 5/2014 Wycoff ..... D9/434  
9,017,554 B2 \* 4/2015 Bruce ..... B01D 24/24  
210/293

\* cited by examiner

*Primary Examiner* — Phillip S Hyder  
(74) *Attorney, Agent, or Firm* — Tuggle Duggins P.A.;  
Blake Hurt

(57) **CLAIM**

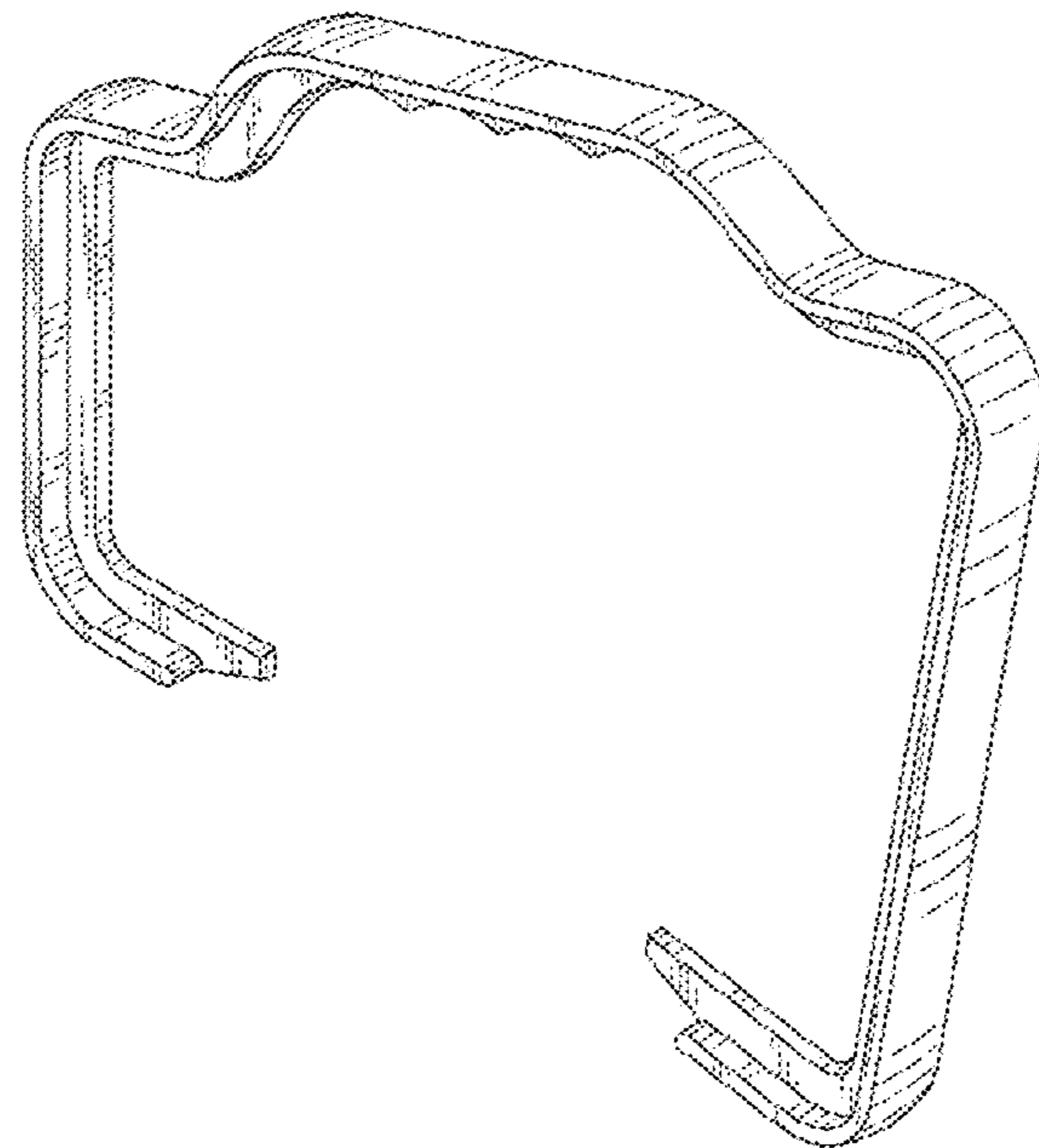
The ornamental design for a sewer hose support handle, as shown and described.

**DESCRIPTION**

FIG. 1 is a front, top, right side perspective view of a sewer hose support handle showing our new design;  
FIG. 2 is a front elevational view according to the invention;  
and the rear elevational view being a mirror image thereof;  
FIG. 3 is a top plan view according to the invention; and,  
FIG. 4 is a bottom plan view according to the invention; and,  
FIG. 5 is a left side elevational view according to the invention; and,  
FIG. 6 is a right side elevational view according to the invention; and,  
FIG. 7 is a rear, top left perspective view according to the invention.

**1 Claim, 6 Drawing Sheets**

- (56) **References Cited**
- U.S. PATENT DOCUMENTS
- 3,701,558 A \* 10/1972 Baker ..... B65D 25/2867  
206/162
- 4,772,059 A \* 9/1988 Parry ..... A45F 5/1026  
294/158
- D362,621 S \* 9/1995 Blocker ..... 294/137
- D369,470 S \* 5/1996 Suggs, Sr. .... 294/143
- D380,670 S \* 7/1997 Blocker ..... D9/434
- D422,867 S \* 4/2000 Forbes ..... 294/137
- D469,015 S \* 1/2003 Le Roux ..... D9/434



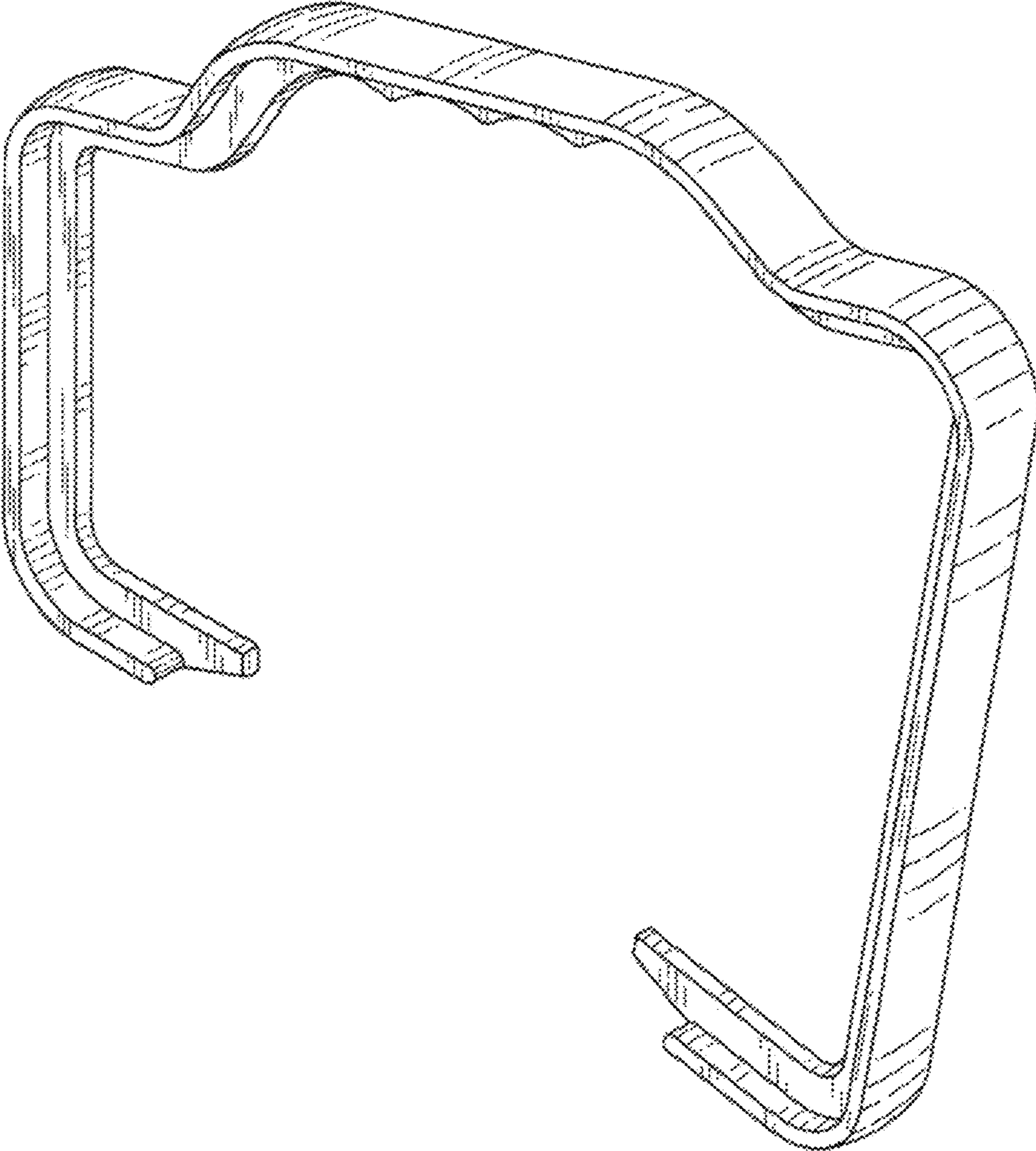


Fig. 1

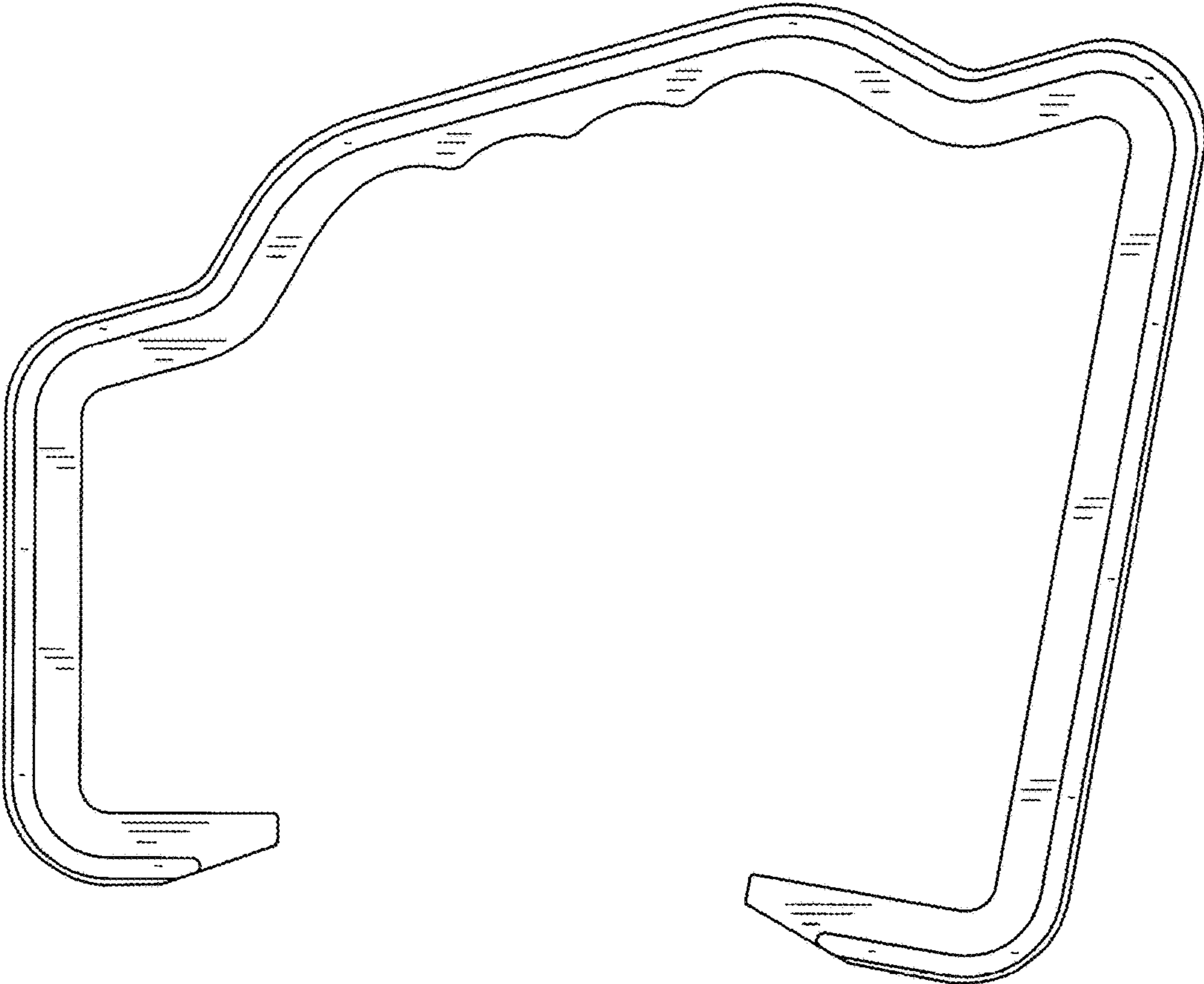


Fig. 2

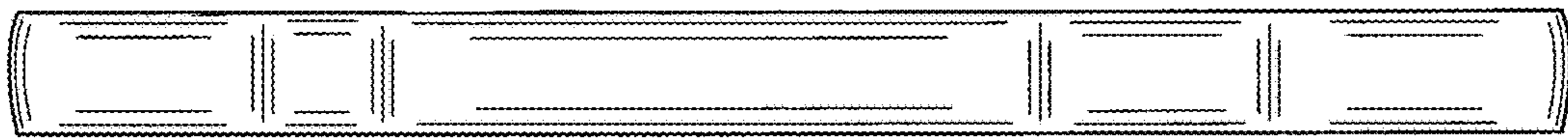


Fig. 3



Fig. 4

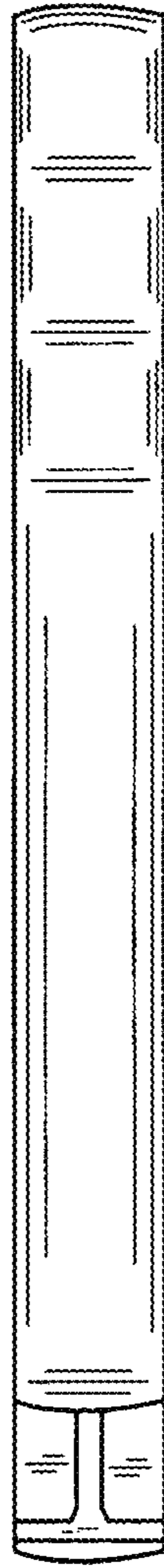


Fig. 5



Fig. 6



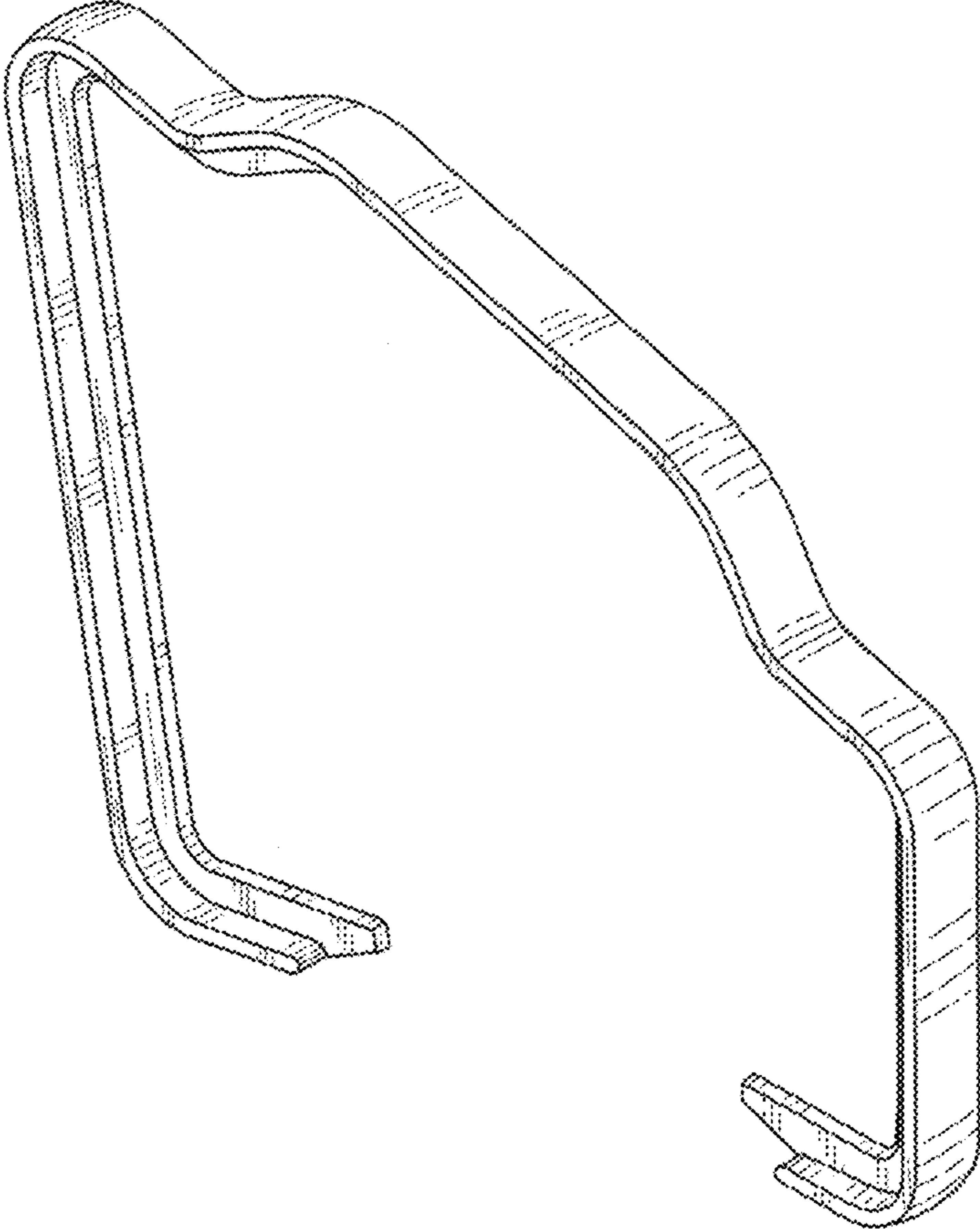


Fig. 7