



US00D787899S

(12) **United States Design Patent**
Lannan

(10) **Patent No.:** **US D787,899 S**

(45) **Date of Patent:** **** May 30, 2017**

(54) **DEEP FRYER SCREEN LIFTING HOOK**

(71) Applicant: **Michael Rogers Lannan**, Antioch, IL
(US)

(72) Inventor: **Michael Rogers Lannan**, Antioch, IL
(US)

(**) Term: **15 Years**

(21) Appl. No.: **29/549,426**

(22) Filed: **Dec. 22, 2015**

(51) **LOC (10) Cl.** **07-04**

(52) **U.S. Cl.**
USPC **D7/688**

(58) **Field of Classification Search**
USPC D7/680-696, 393, 395; D8/14, 16, 17,
D8/18, 21, 33, 40, 47, 88, 105, 107
CPC A47J 45/10; A47J 45/00; A47J 43/283
See application file for complete search history.

(56) **References Cited**

U.S. PATENT DOCUMENTS

- 1,143,253 A * 6/1915 Constantine A47J 43/283
294/10
- 2,992,848 A * 7/1961 Livensparger A47J 45/10
29/270

- 3,285,648 A * 11/1966 Pryce A47J 45/10
294/33
- 8,465,068 B1 * 6/2013 Vinson, Jr. A47J 45/10
294/32
- 2007/0266526 A1 * 11/2007 Buckingham A47J 45/10
16/425

* cited by examiner

Primary Examiner — Terry Wallace

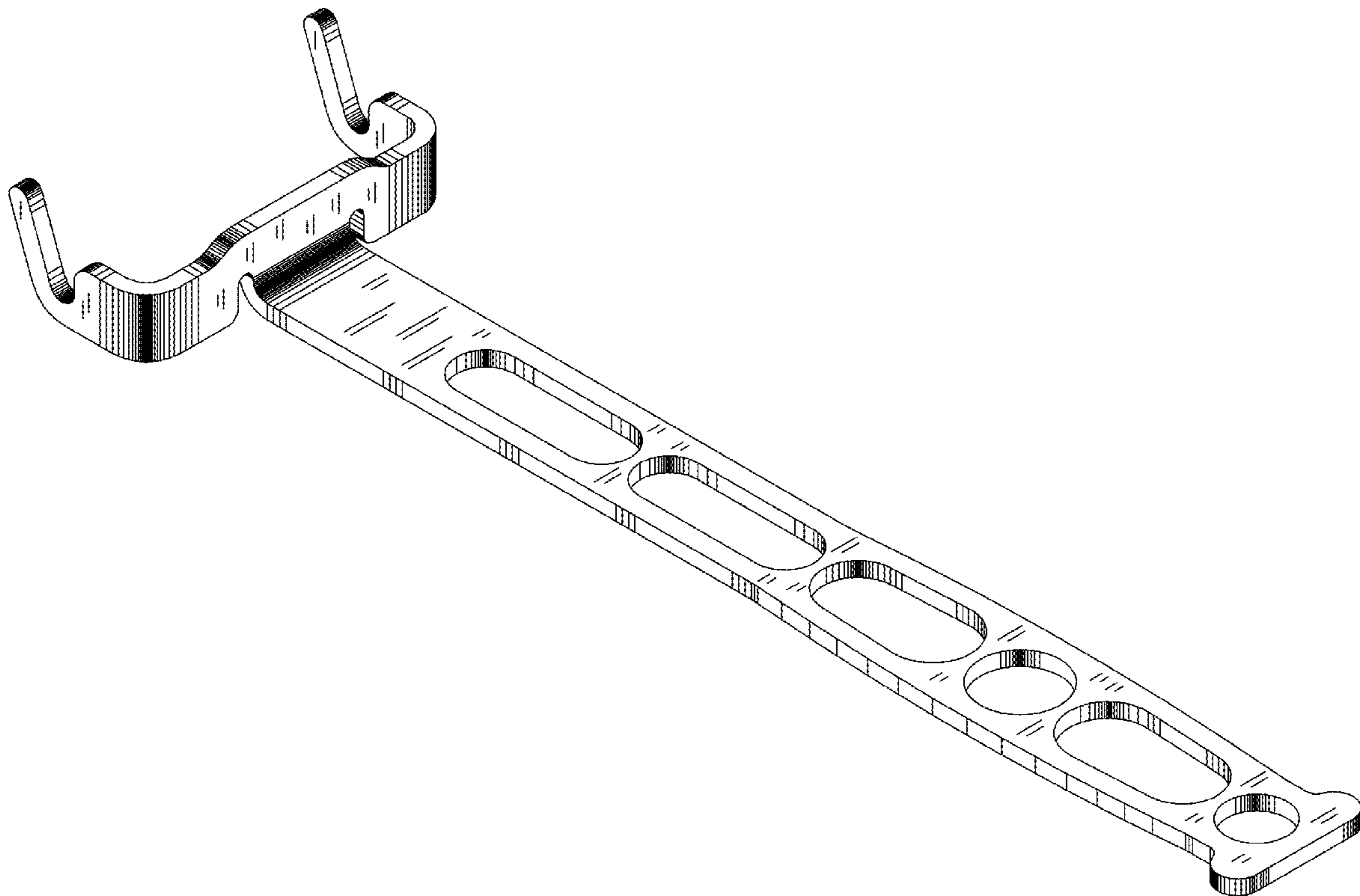
(57) **CLAIM**

The ornamental design for a deep fryer screen lifting hook, as shown and described.

DESCRIPTION

FIG. 1: is a perspective view of my new deep fryer screen lifting hook design.
 FIG. 2: is a top view of my new deep fryer screen lifting hook design; and,
 FIG. 3: is a side view of my new deep fryer screen lifting hook design.

1 Claim, 3 Drawing Sheets



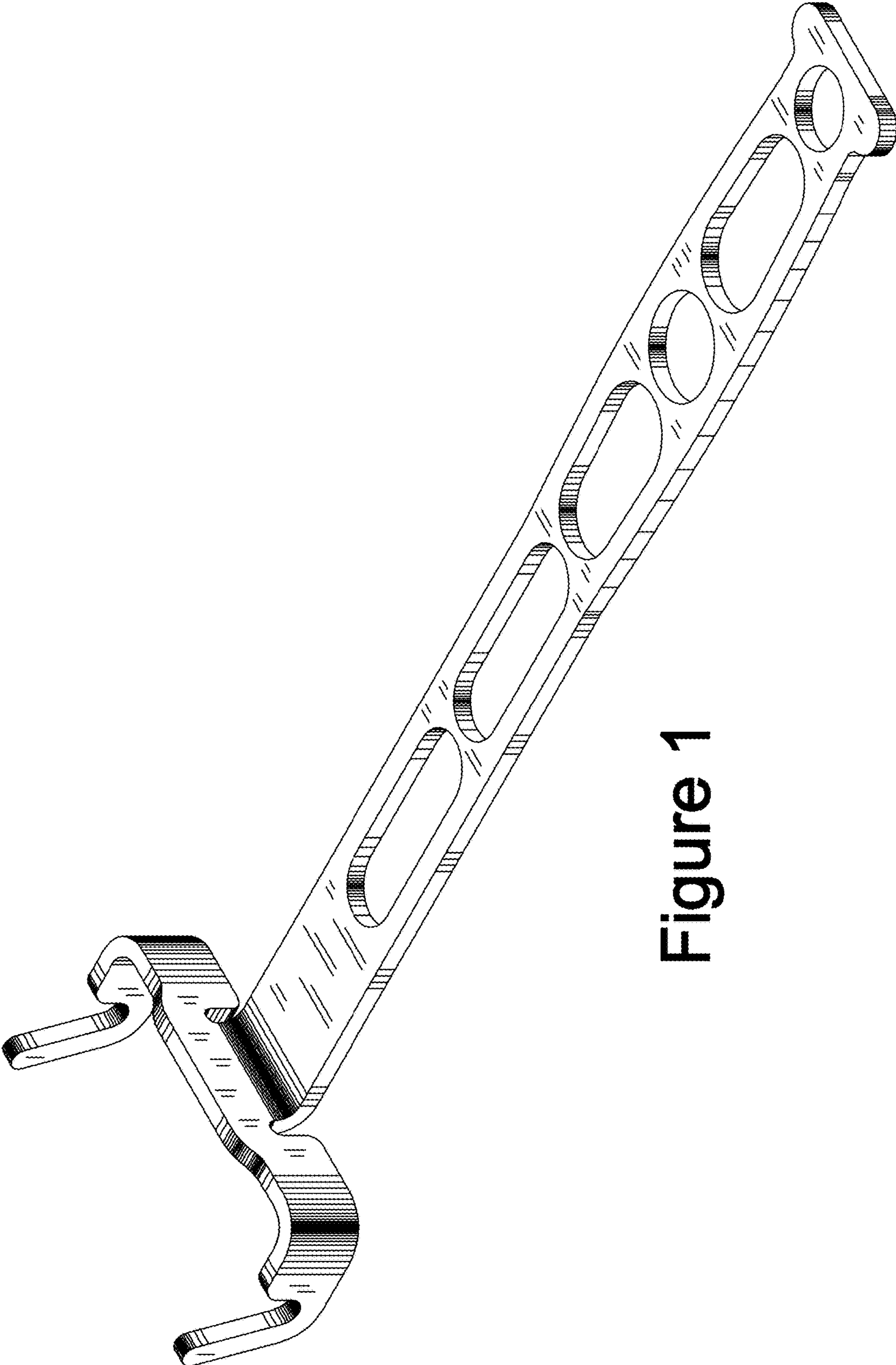


Figure 1

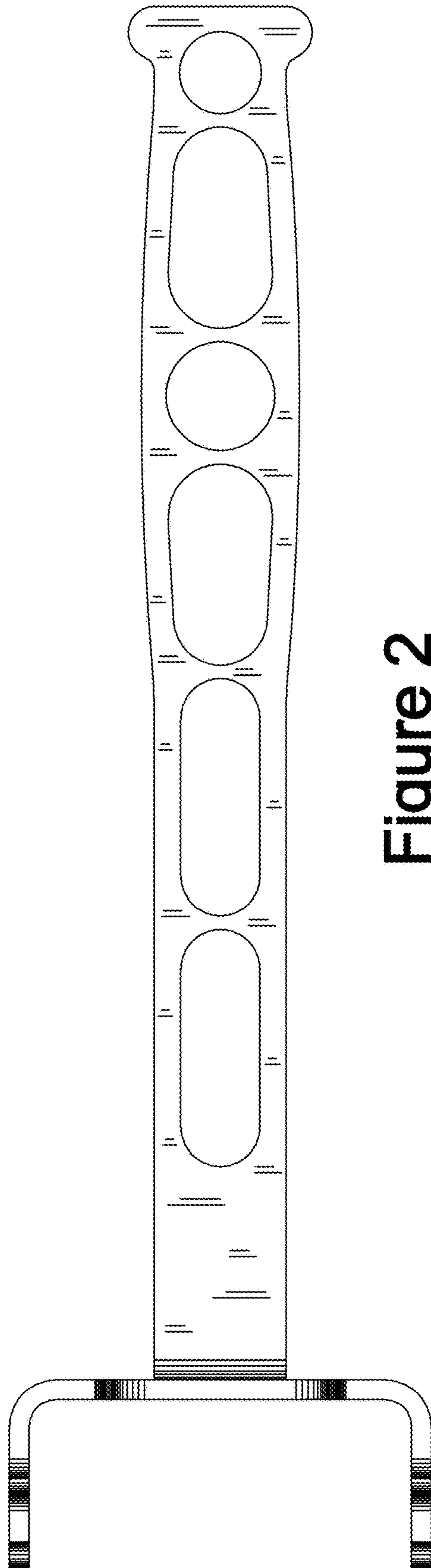


Figure 2



Figure 3