



US00D787898S

(12) **United States Design Patent** (10) **Patent No.:** **US D787,898 S**
Roberts (45) **Date of Patent:** **** May 30, 2017**

(54) **TONGS**

(56) **References Cited**

(71) Applicant: **JOSEPH JOSEPH, LTD.**, London
(GB)

U.S. PATENT DOCUMENTS

D213,990 S * 4/1969 Lee 294/7
D364,783 S * 12/1995 Weber D7/686

(72) Inventor: **Derek Roberts**, Maidenhead (GB)

* cited by examiner

Primary Examiner — Terry Wallace

(73) Assignee: **Joseph Joseph Ltd.**, London (GB)

(74) *Attorney, Agent, or Firm* — Millen White Zelano & Branigan, P.C.

(**) Term: **15 Years**

(57) **CLAIM**

The ornamental design for tongs, as shown and described.

(21) Appl. No.: **29/562,434**

DESCRIPTION

(22) Filed: **Apr. 26, 2016**

FIG. 1 is a perspective view of the Tongs in a closed confirmation showing my new design.

FIG. 2 is another perspective view in a closed confirmation thereof.

FIG. 3 is a front view in a closed confirmation thereof.

FIG. 4 is back view in a closed confirmation thereof.

FIG. 5 is a side view in a closed confirmation thereof.

FIG. 6 is another side view in a closed confirmation thereof.

FIG. 7 is a top view in a closed confirmation thereof.

FIG. 8 is bottom view in a closed confirmation thereof.

FIG. 9 is a perspective view thereof in an open confirmation.

FIG. 10 is another perspective view thereof in an open confirmation.

FIG. 11 is a front view thereof in an open confirmation.

FIG. 12 is back view thereof in an open confirmation.

FIG. 13 is a side view thereof in an open confirmation.

FIG. 14 is another side view thereof in an open confirmation.

FIG. 15 is a top view thereof in an open confirmation; and,

FIG. 16 is bottom view thereof in an open confirmation.

The broken lines in the drawings illustrate portions of the tongs which form no part of the claimed design.

(30) **Foreign Application Priority Data**

Nov. 2, 2015 (EM) 002844456-0005

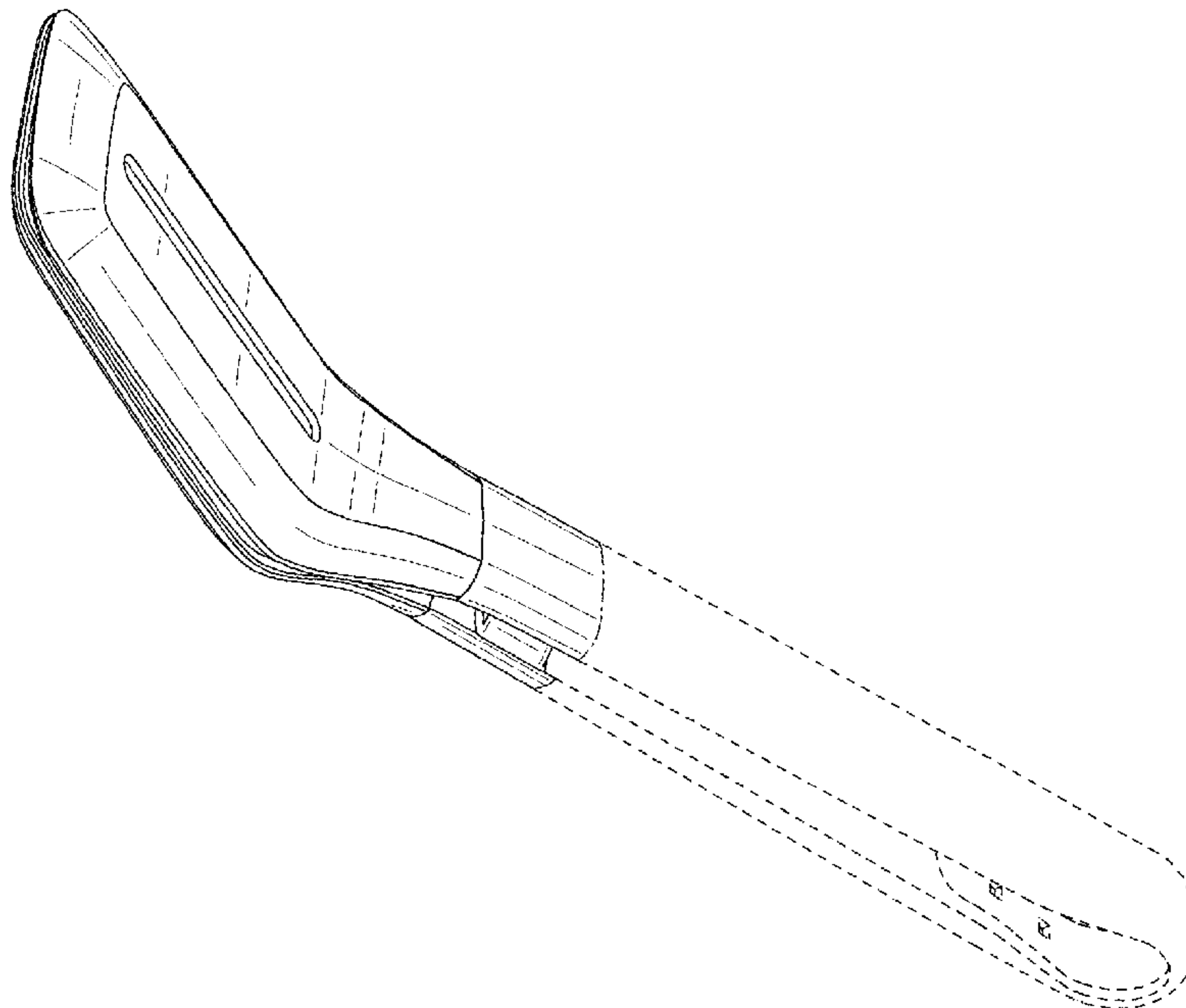
(51) **LOC (10) Cl.** **07-06**

(52) **U.S. Cl.**
USPC **D7/686**

(58) **Field of Classification Search**
USPC D7/680–696, 393, 395
CPC A21C 15/00; A47J 43/283; A47J 43/28;
A47J 43/288; A47G 21/02; A47G 21/06;
A47G 21/00; A47G 21/10; A47G 21/103;
A47G 21/106

See application file for complete search history.

1 Claim, 16 Drawing Sheets



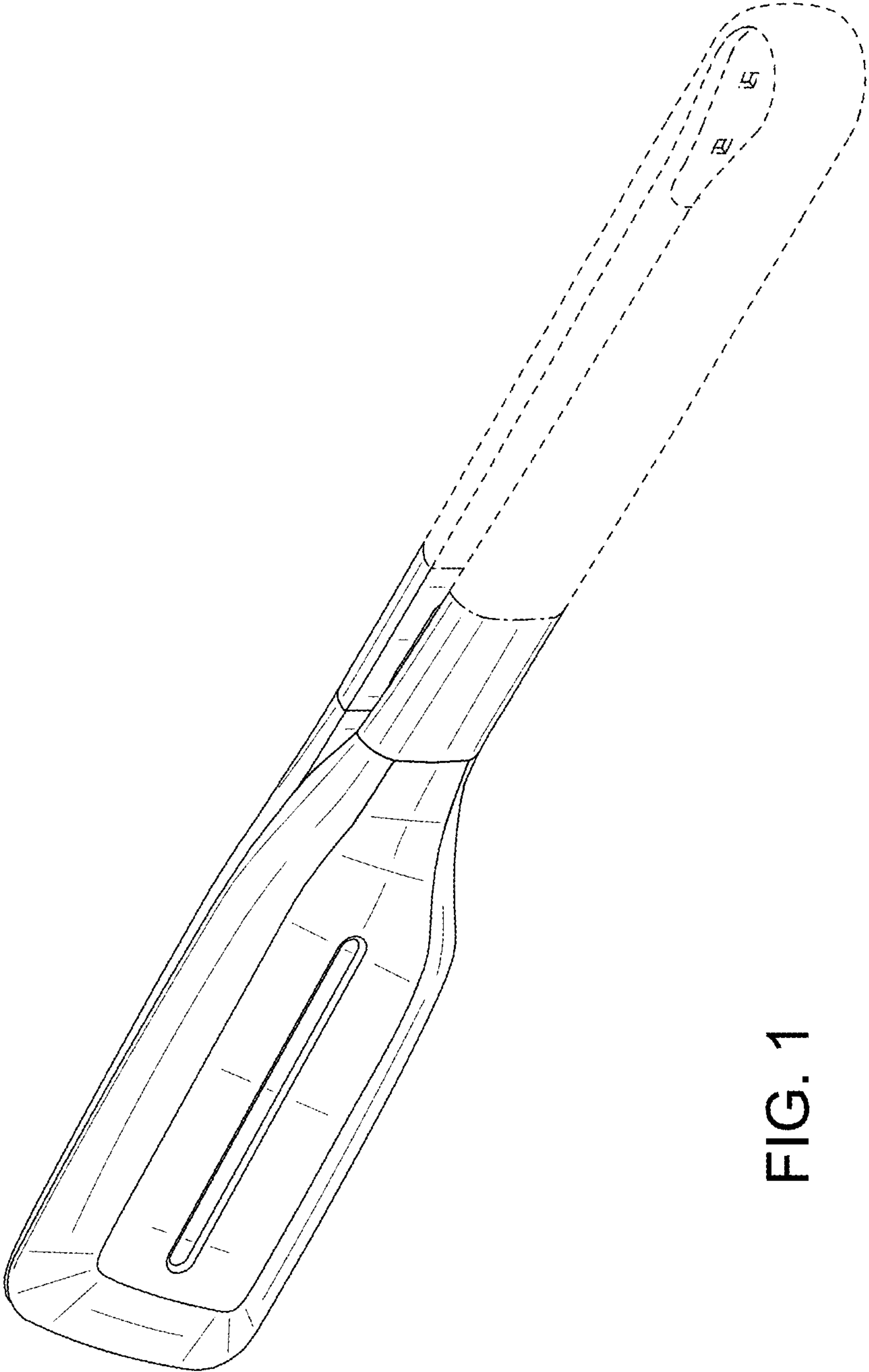


FIG. 1

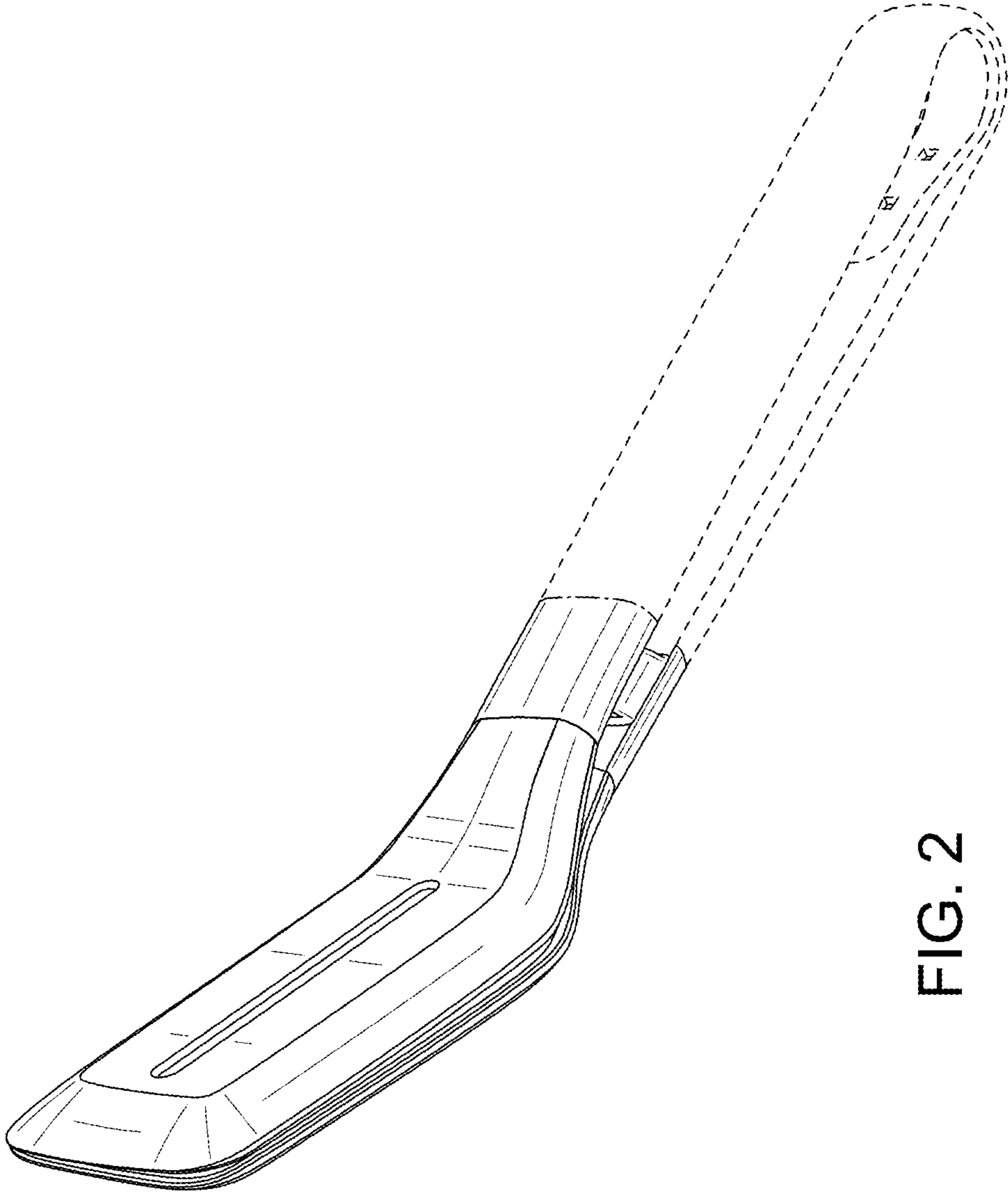


FIG. 2

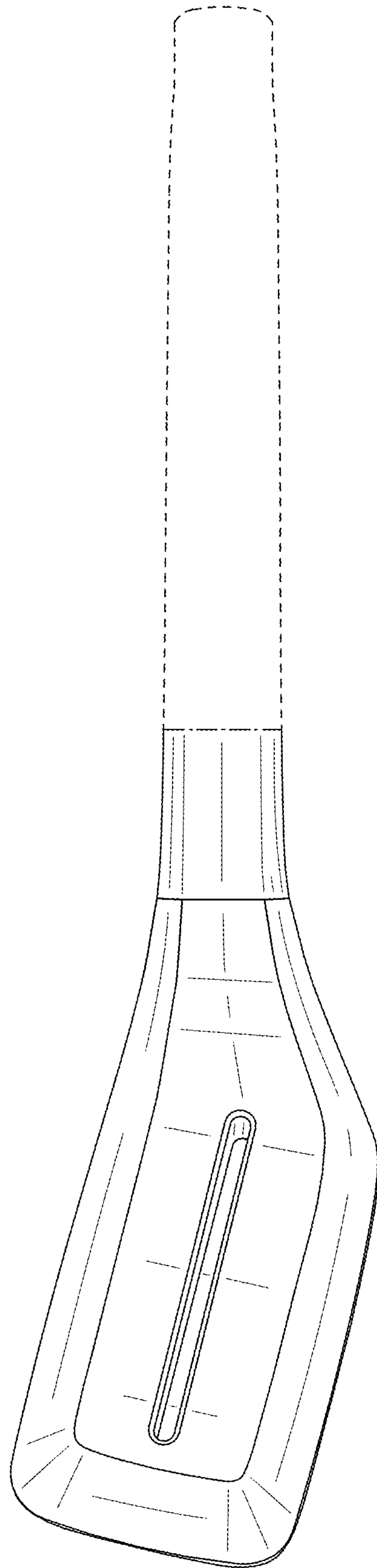


FIG. 3

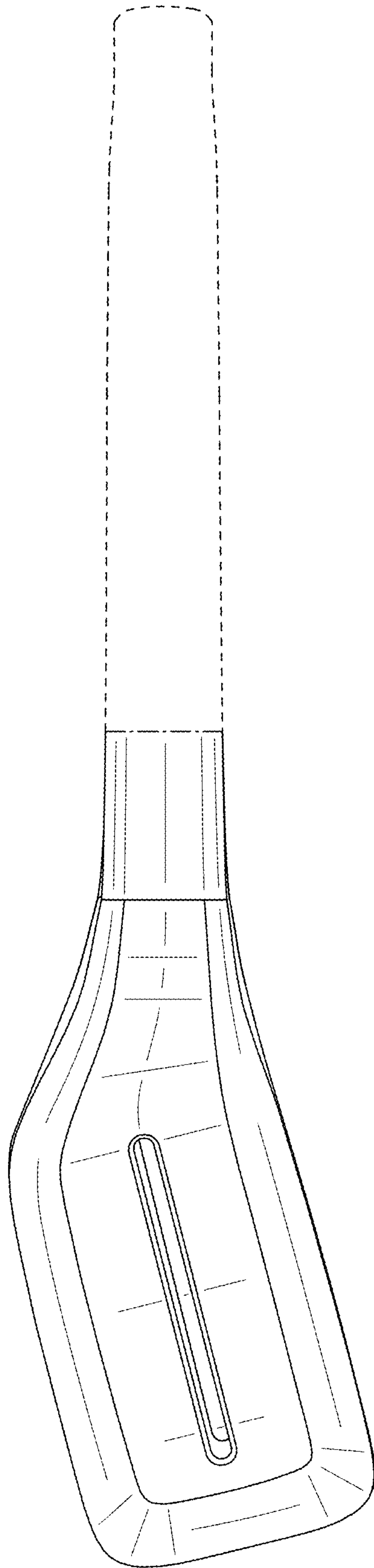


FIG. 4

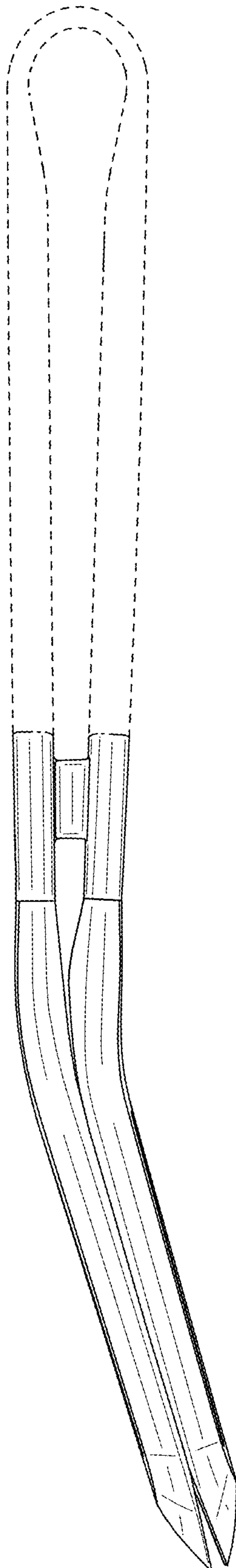


FIG. 5

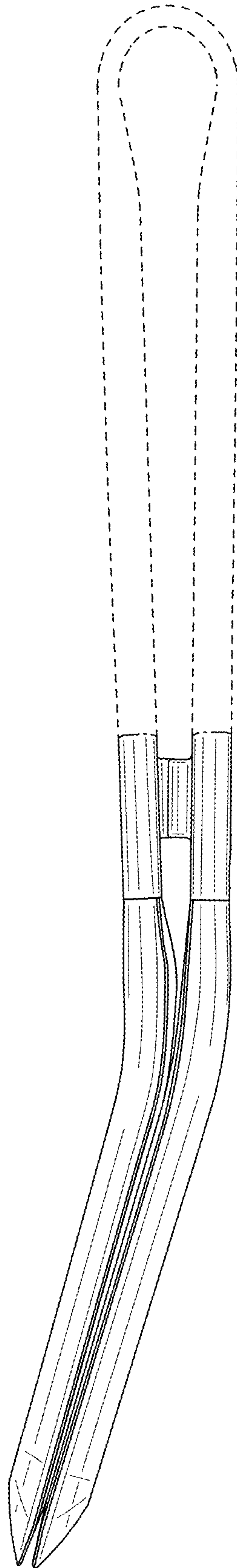


FIG. 6

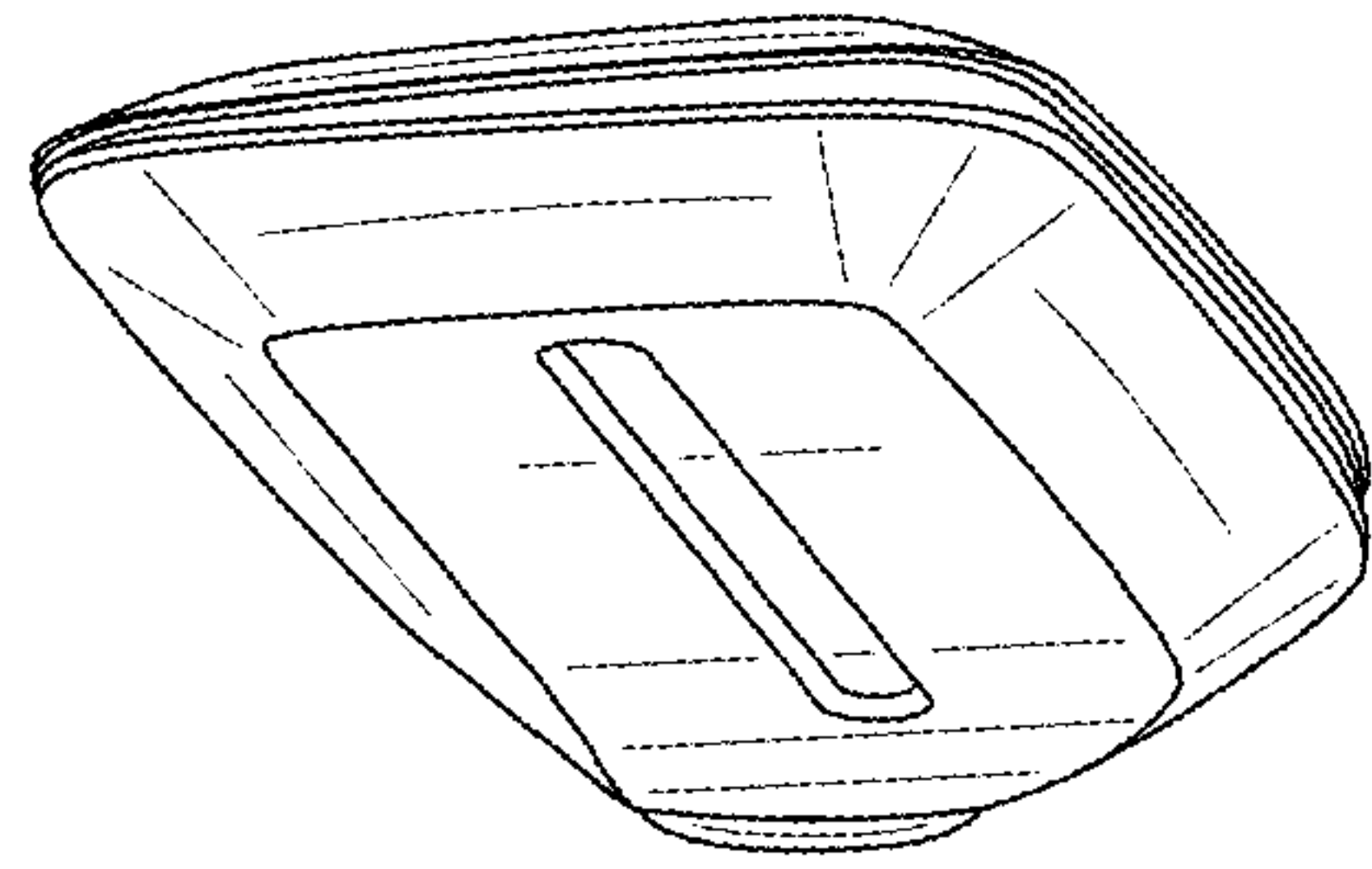


FIG. 7

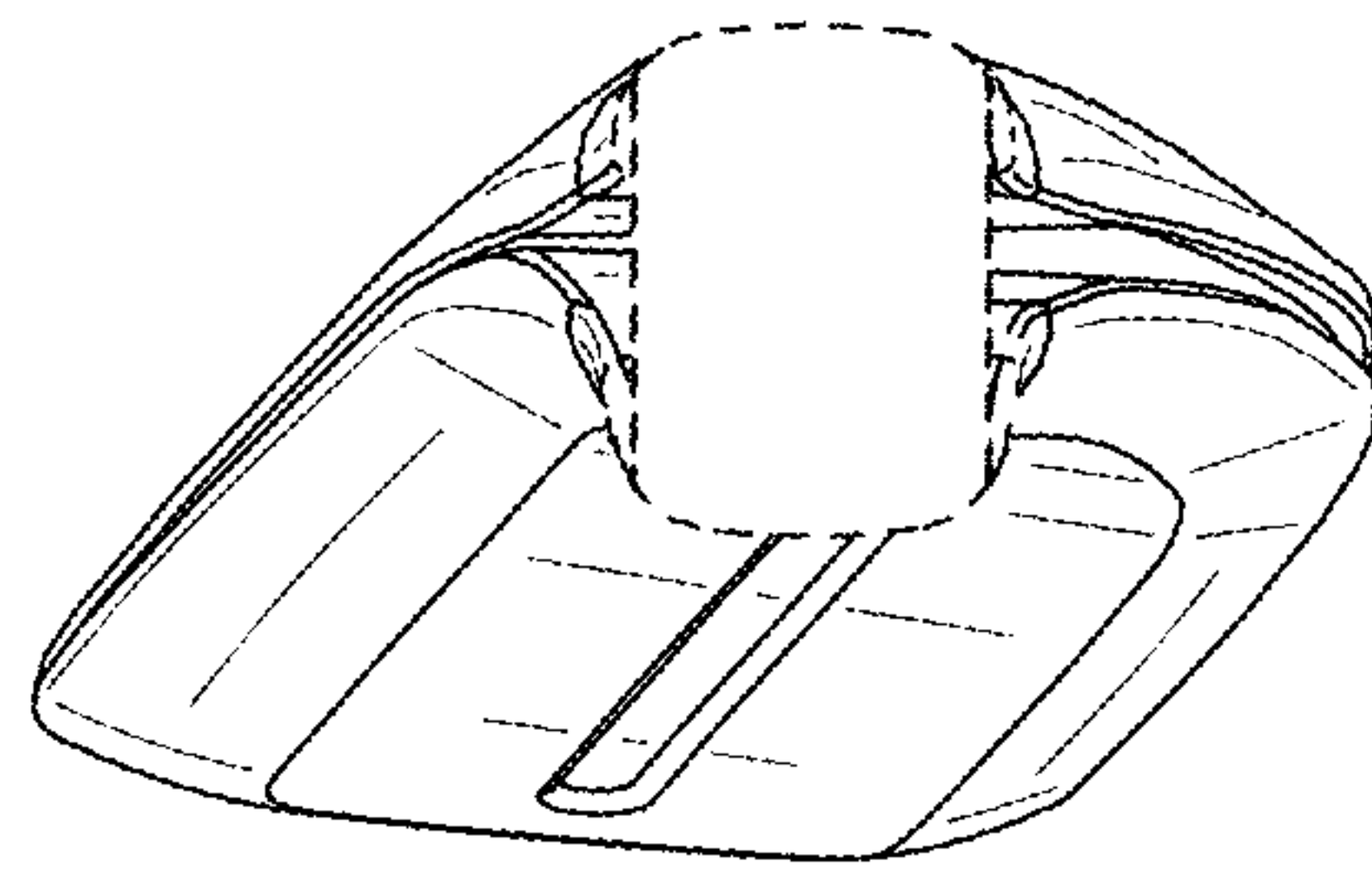


FIG. 8

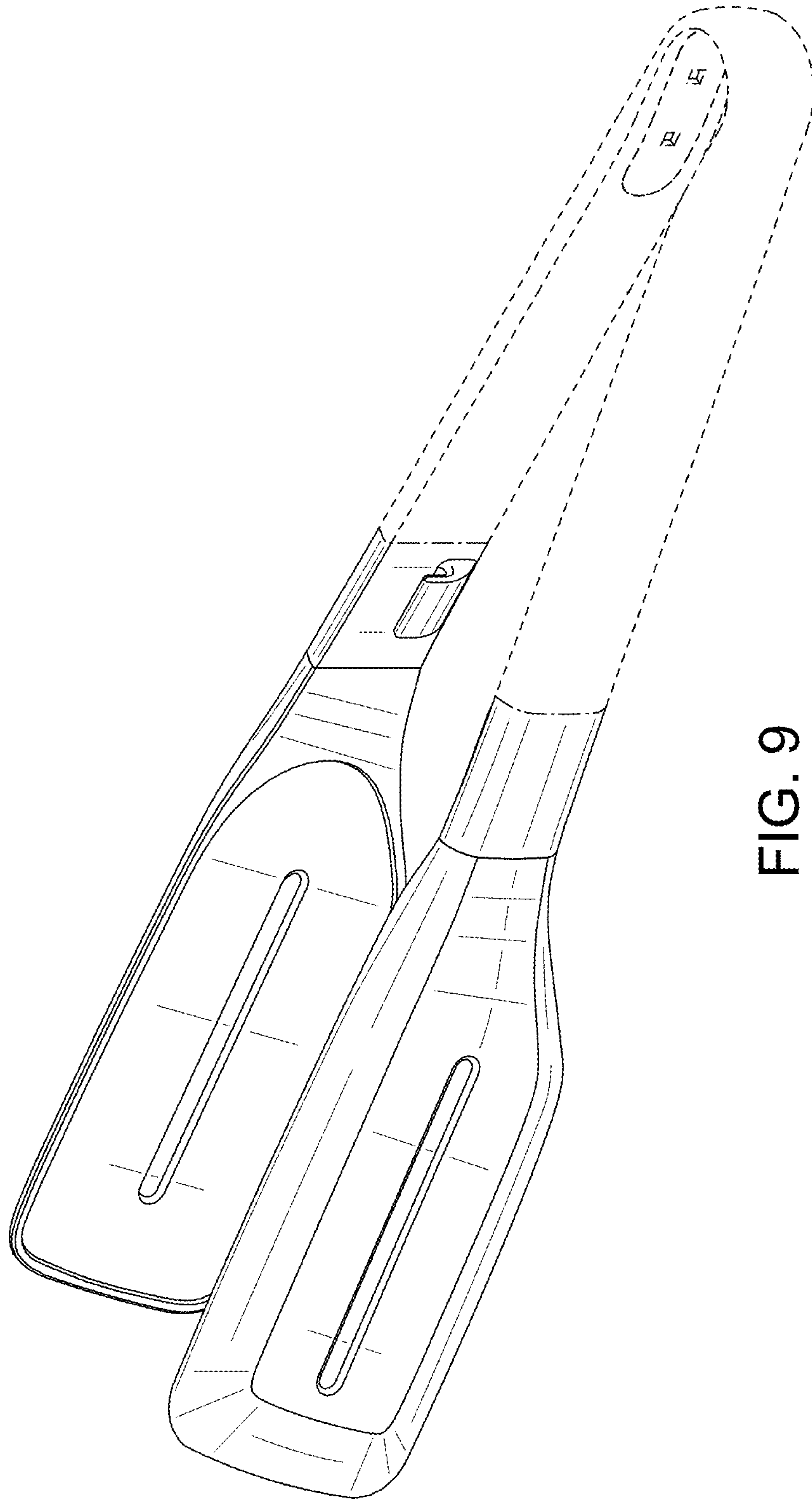


FIG. 9

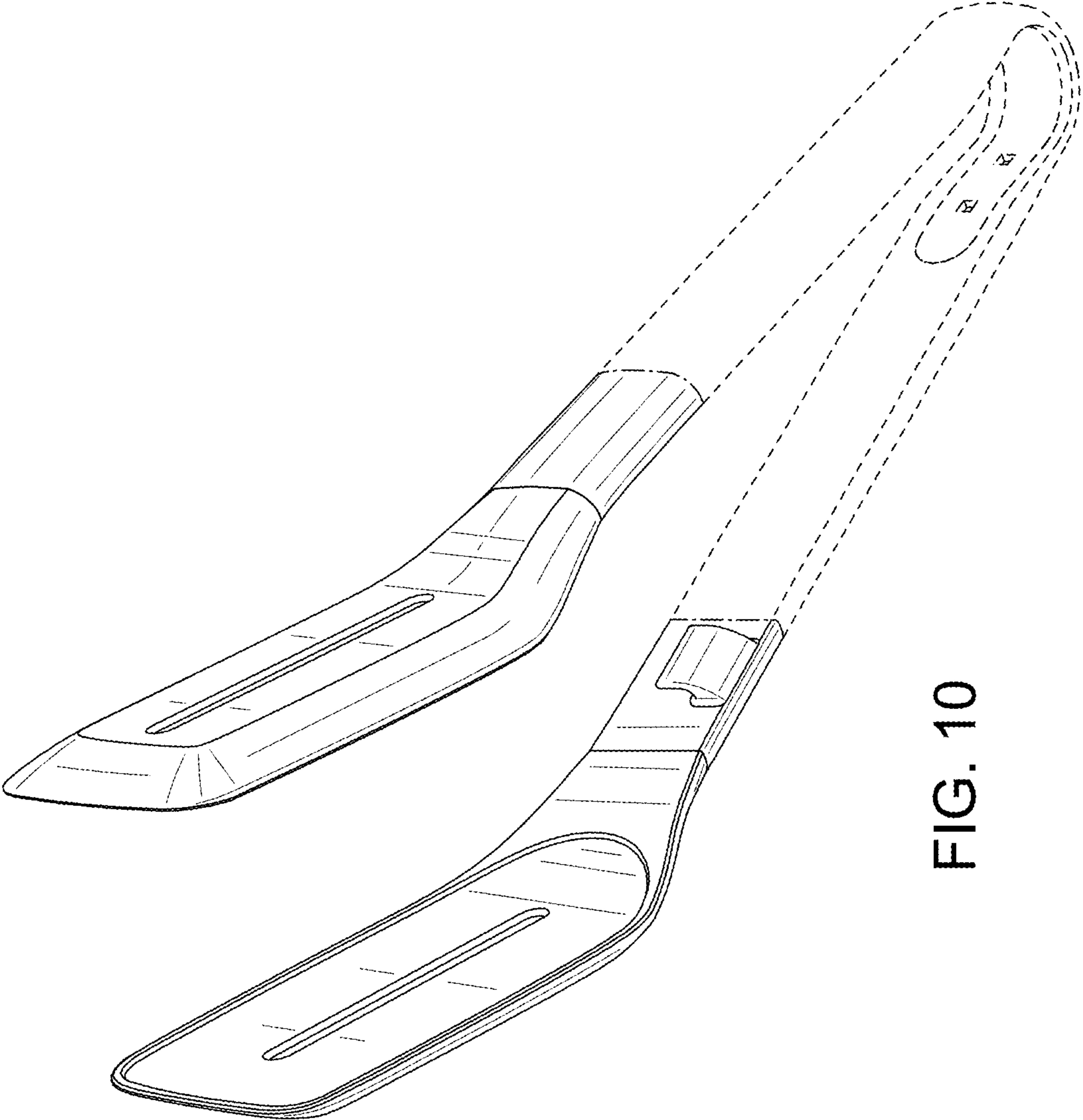


FIG. 10

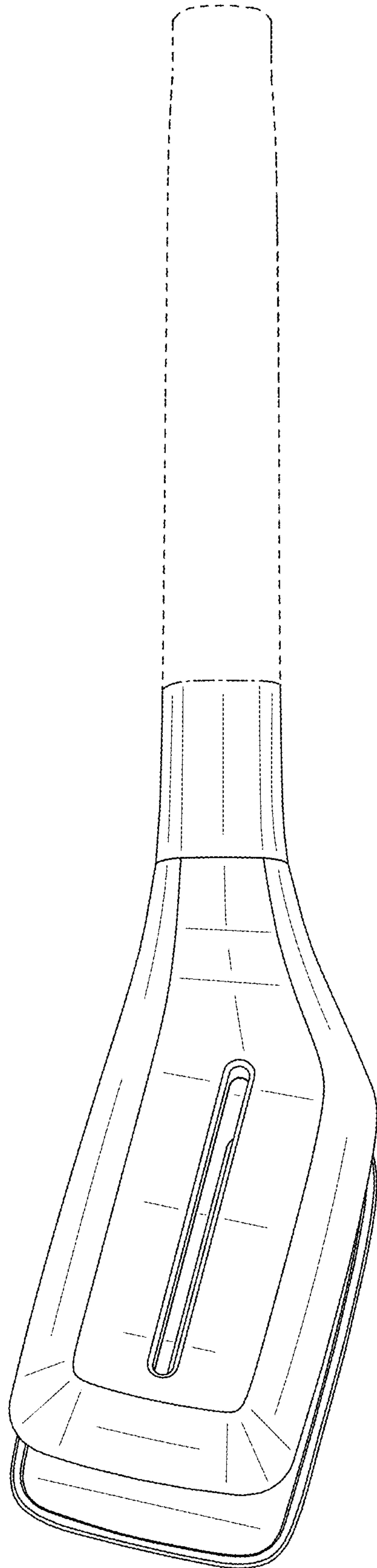


FIG. 11

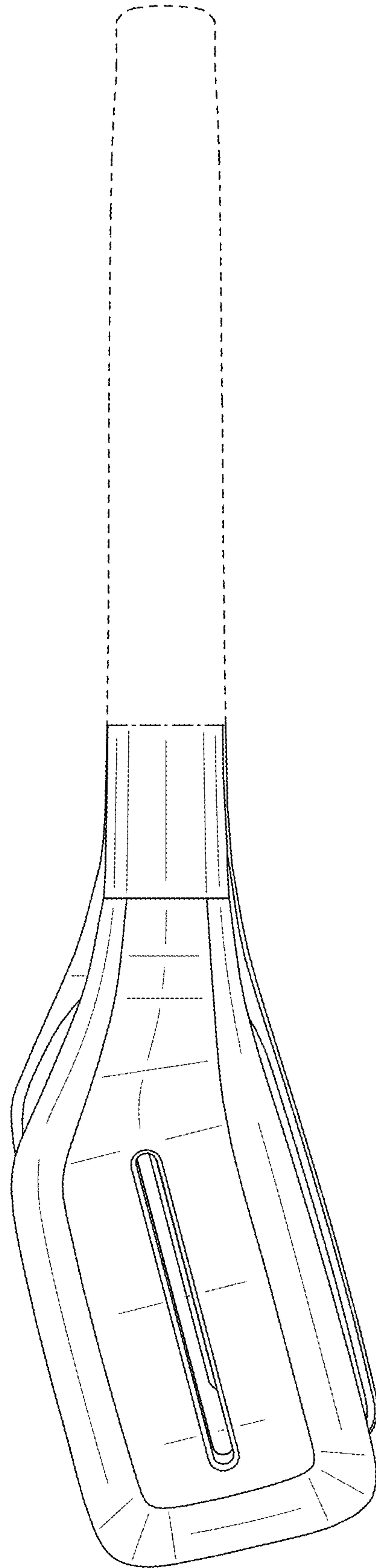


FIG. 12

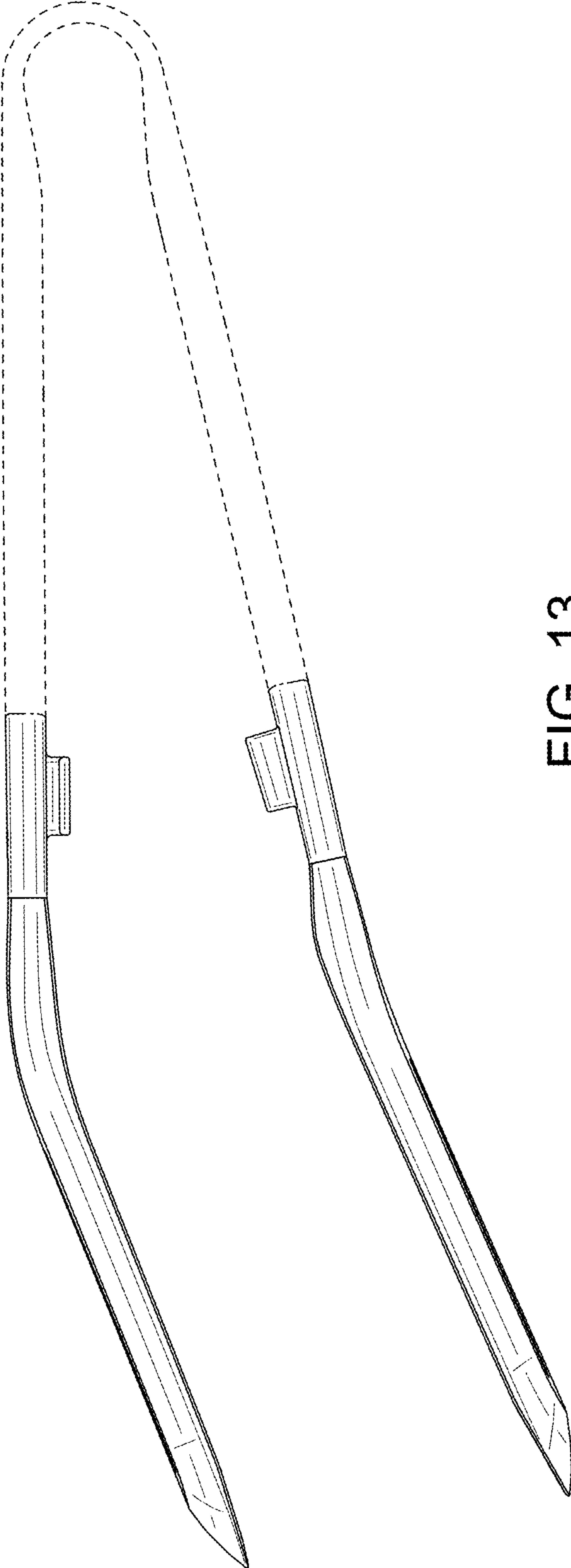


FIG. 13

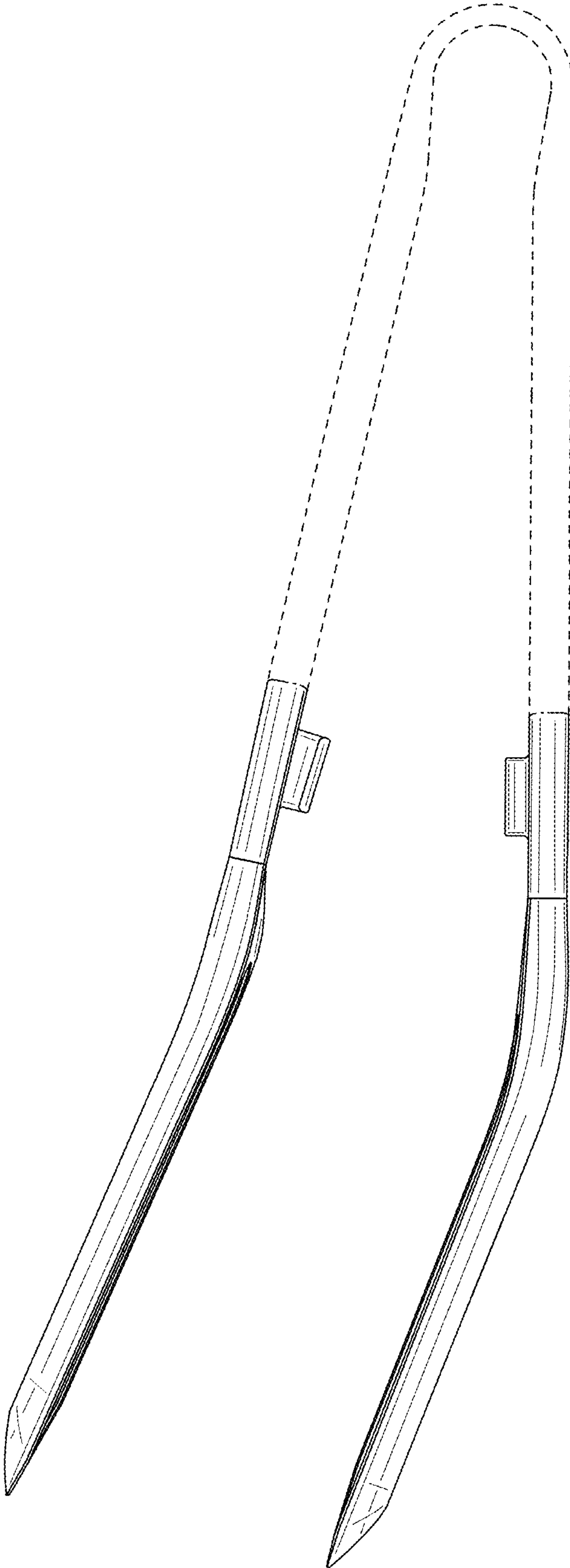


FIG. 14

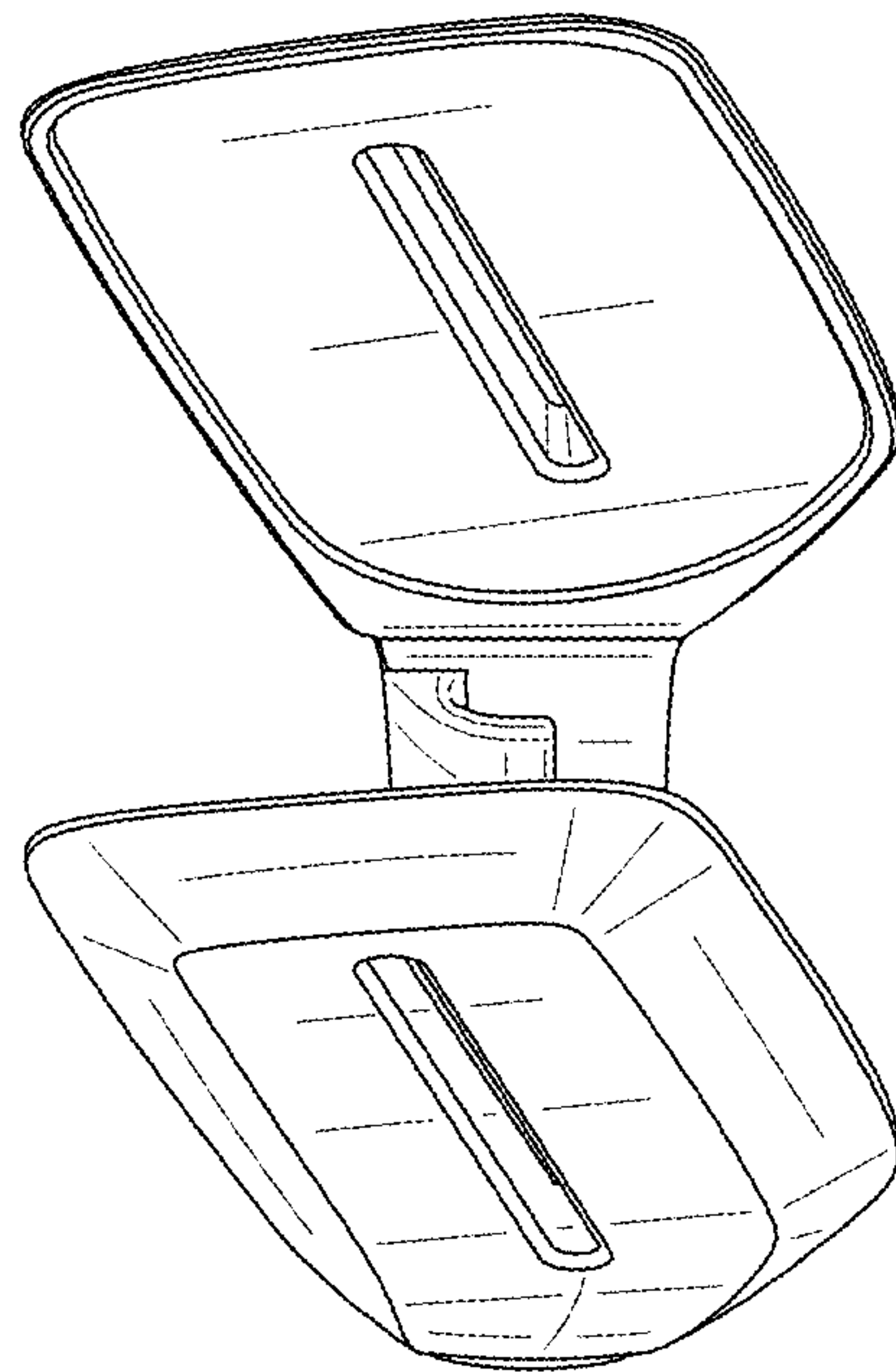


FIG. 15

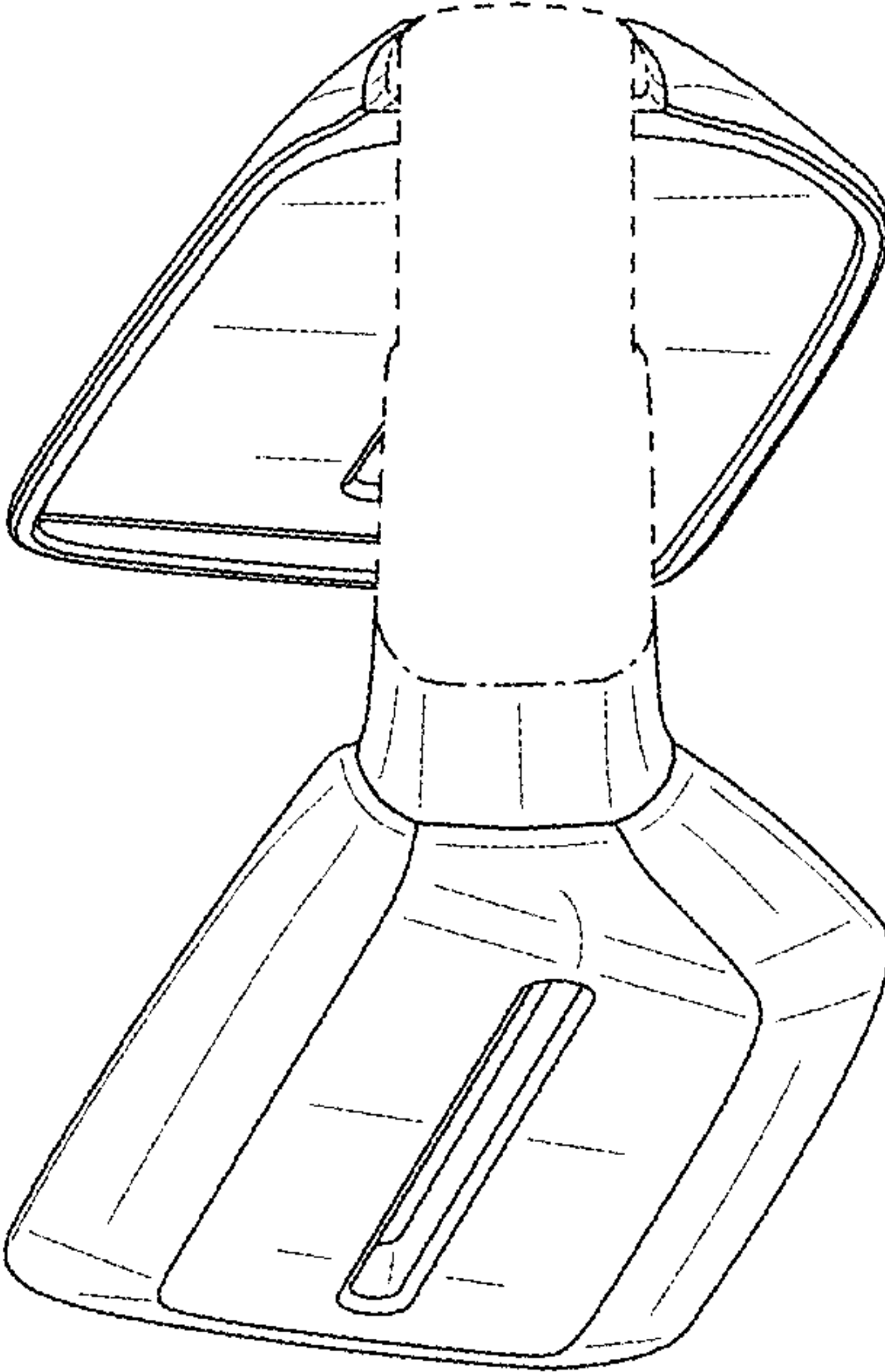


FIG. 16