



US00D787897S

(12) **United States Design Patent** (10) **Patent No.:** **US D787,897 S**  
**Rose** (45) **Date of Patent:** **\*\* May 30, 2017**

(54) **ROTARY GRATER**

2010/0270406 A1\* 10/2010 Grace ..... A47J 43/255  
241/93

(71) Applicant: **Williams-Sonoma, Inc.**, San Francisco, CA (US)

\* cited by examiner

(72) Inventor: **Phillip John Patrick Rose**, San Francisco, CA (US)

*Primary Examiner* — Terry Wallace  
(74) *Attorney, Agent, or Firm* — Cook Alex Ltd.; R. Blake Johnston

(73) Assignee: **Williams-Sonoma, Inc.**, San Francisco, CA (US)

(57) **CLAIM**

(\*\*) Term: **15 Years**

The ornamental design for a rotary grater, as shown and described.

(21) Appl. No.: **29/559,661**

(22) Filed: **Mar. 30, 2016**

**DESCRIPTION**

(51) **LOC (10) Cl.** ..... **07-04**

(52) **U.S. Cl.**  
USPC ..... **D7/678**

(58) **Field of Classification Search**  
USPC ..... D7/678, 368, 669; D8/90  
CPC ..... A47J 43/25; A47J 43/255; A47J 43/00;  
A47J 17/02; A47J 17/04; B23D 71/04;  
B23D 71/06; B26D 1/30; B26D 7/18  
See application file for complete search history.

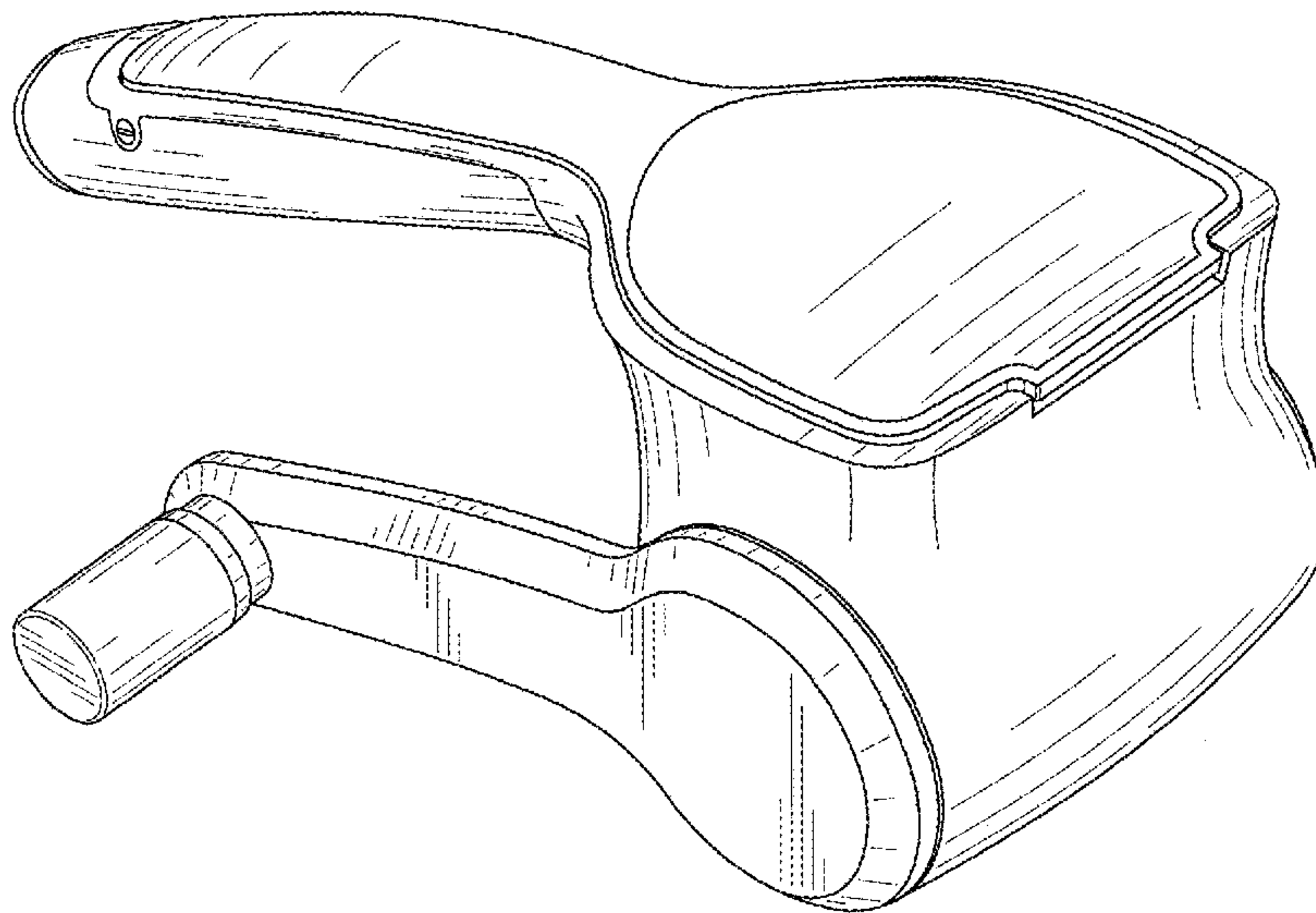
FIG. 1 is a perspective view of the rotary grater;  
FIG. 2 is a right side elevational view of the rotary grater;  
FIG. 3 is a left side elevational view of the rotary grater;  
FIG. 4 is a front elevational view of the rotary grater;  
FIG. 5 is a rear elevational view of the rotary grater;  
FIG. 6 is a top plan view of the rotary grater;  
FIG. 7 is a bottom plan view of the rotary grater;  
FIG. 8 is a perspective view of the rotary grater with the lever handle in the open position;  
FIG. 9 is a right side elevational view of the rotary grater with the lever handle in the open position;  
FIG. 10 is a left side elevational view of the rotary grater with the lever handle in the open position;  
FIG. 11 is a front elevational view of the rotary grater with the lever handle in the open position;  
FIG. 12 is a rear elevational view of the rotary grater with the lever handle in the open position;  
FIG. 13 is a top plan view of the rotary grater with the lever handle in the open position; and,  
FIG. 14 is a bottom plan view of the rotary grater with the lever handle in the open position.  
The broken lines shown in the drawings are for illustrative purposes only and form no part of the claimed design.

(56) **References Cited**

**U.S. PATENT DOCUMENTS**

5,803,378 A \* 9/1998 Wolters ..... A47J 43/255  
241/100  
D493,074 S \* 7/2004 Brousseau ..... D7/678  
6,766,972 B1 \* 7/2004 Prommel ..... A47J 43/255  
241/169.1  
D517,873 S \* 3/2006 So ..... D7/678  
D578,839 S \* 10/2008 McGuyer ..... D7/678  
8,567,704 B2 \* 10/2013 Bagley ..... A47J 43/255  
241/169.1  
8,789,781 B2 \* 7/2014 Sampaio ..... A47J 43/255  
241/169.2  
8,973,854 B2 \* 3/2015 Ebrahim ..... A47J 43/255  
241/169.1

**1 Claim, 12 Drawing Sheets**



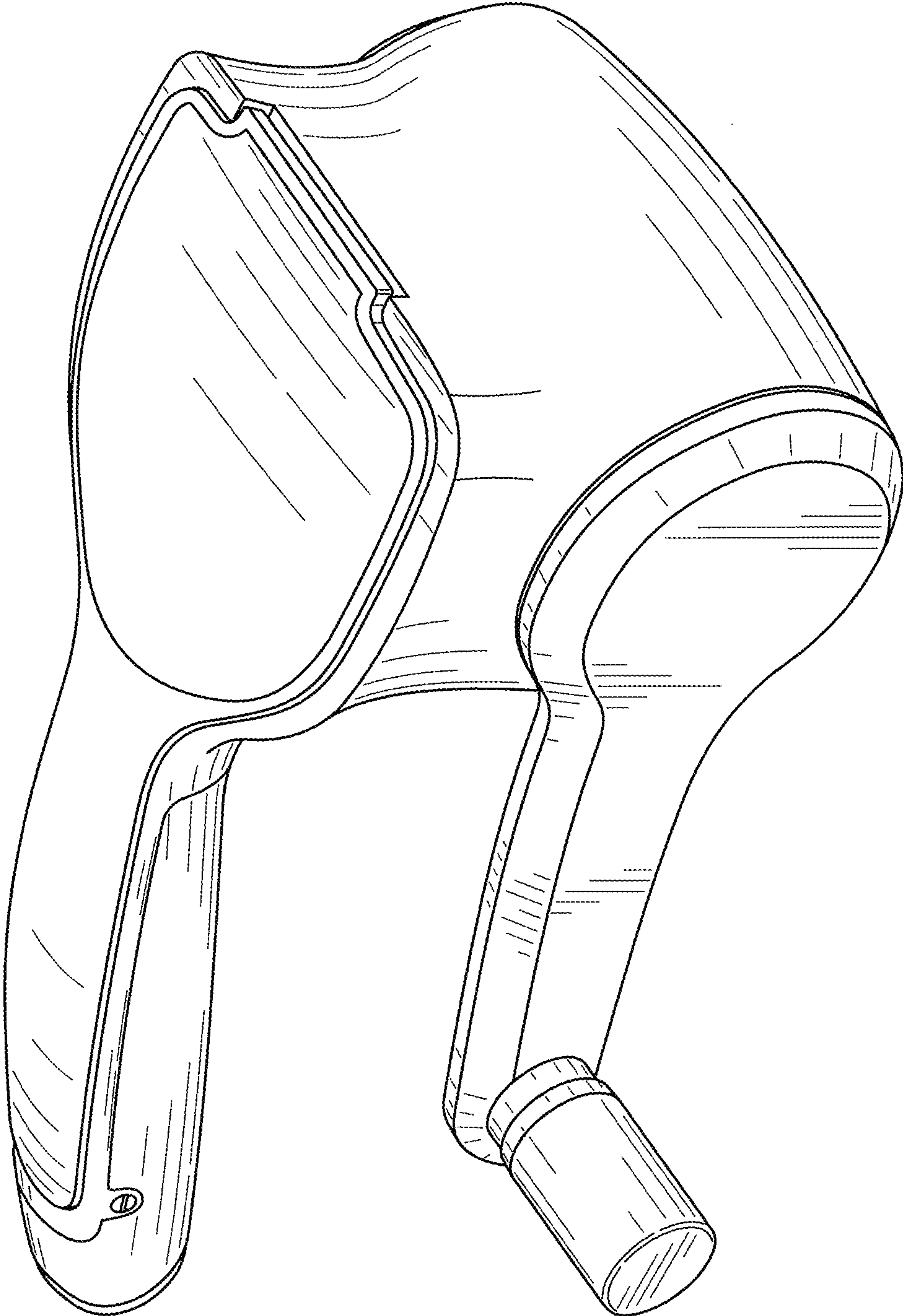


FIG. 1

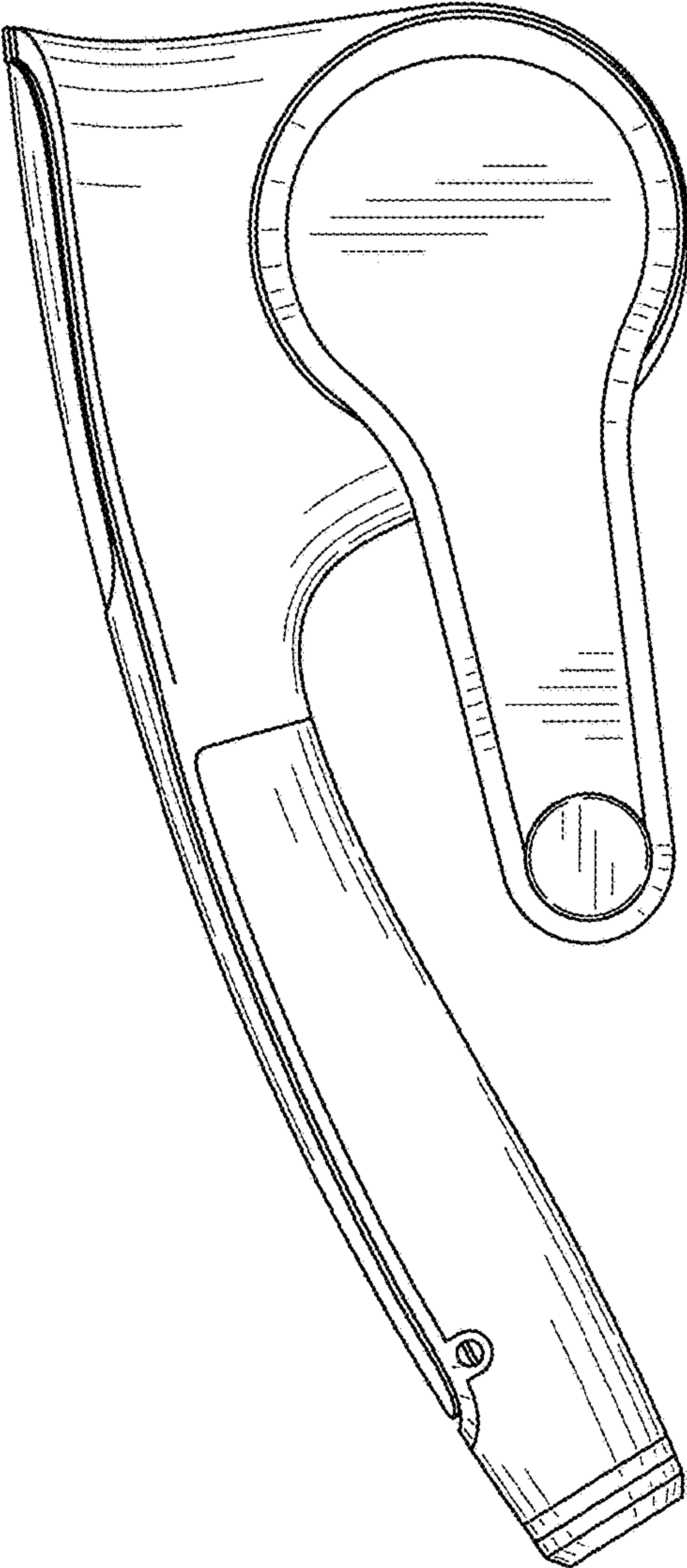


FIG. 2

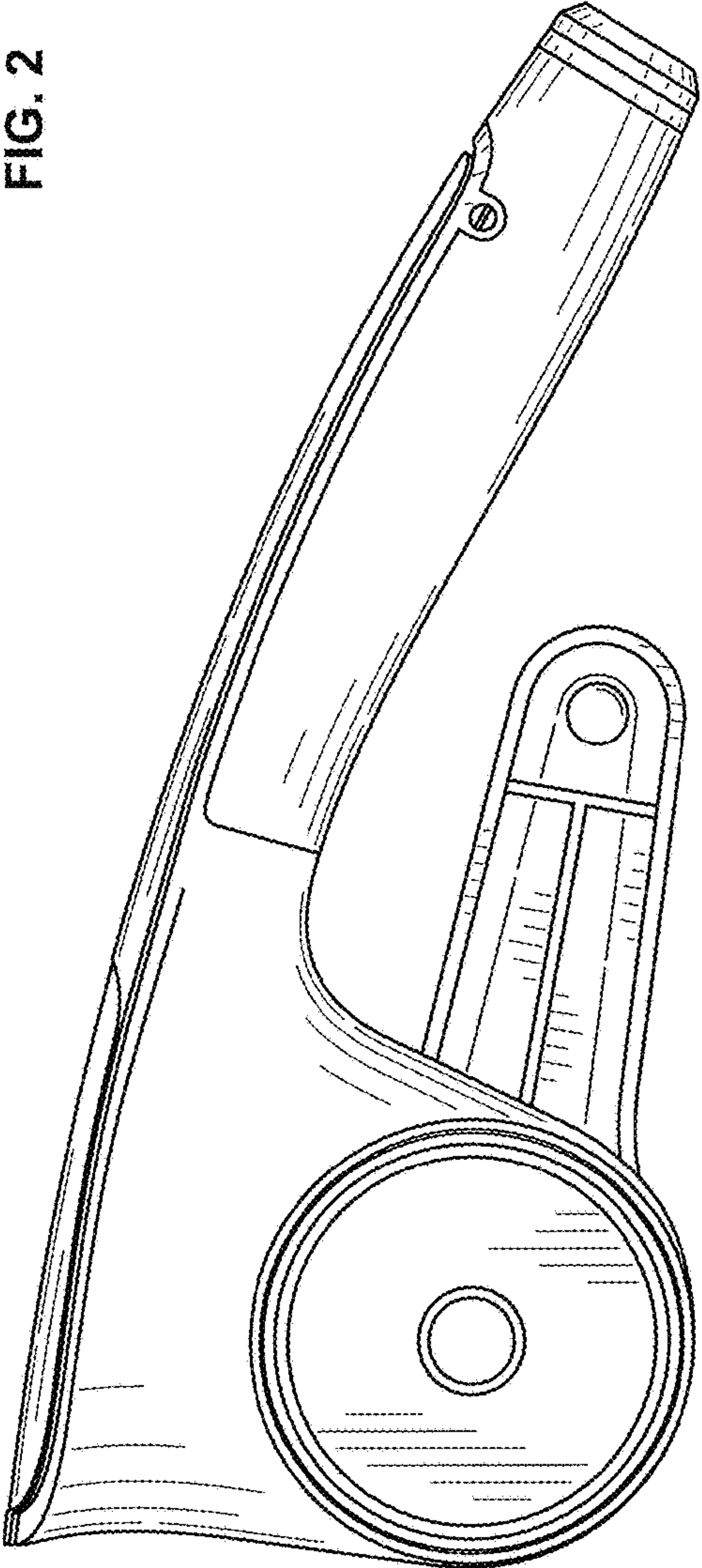


FIG. 3



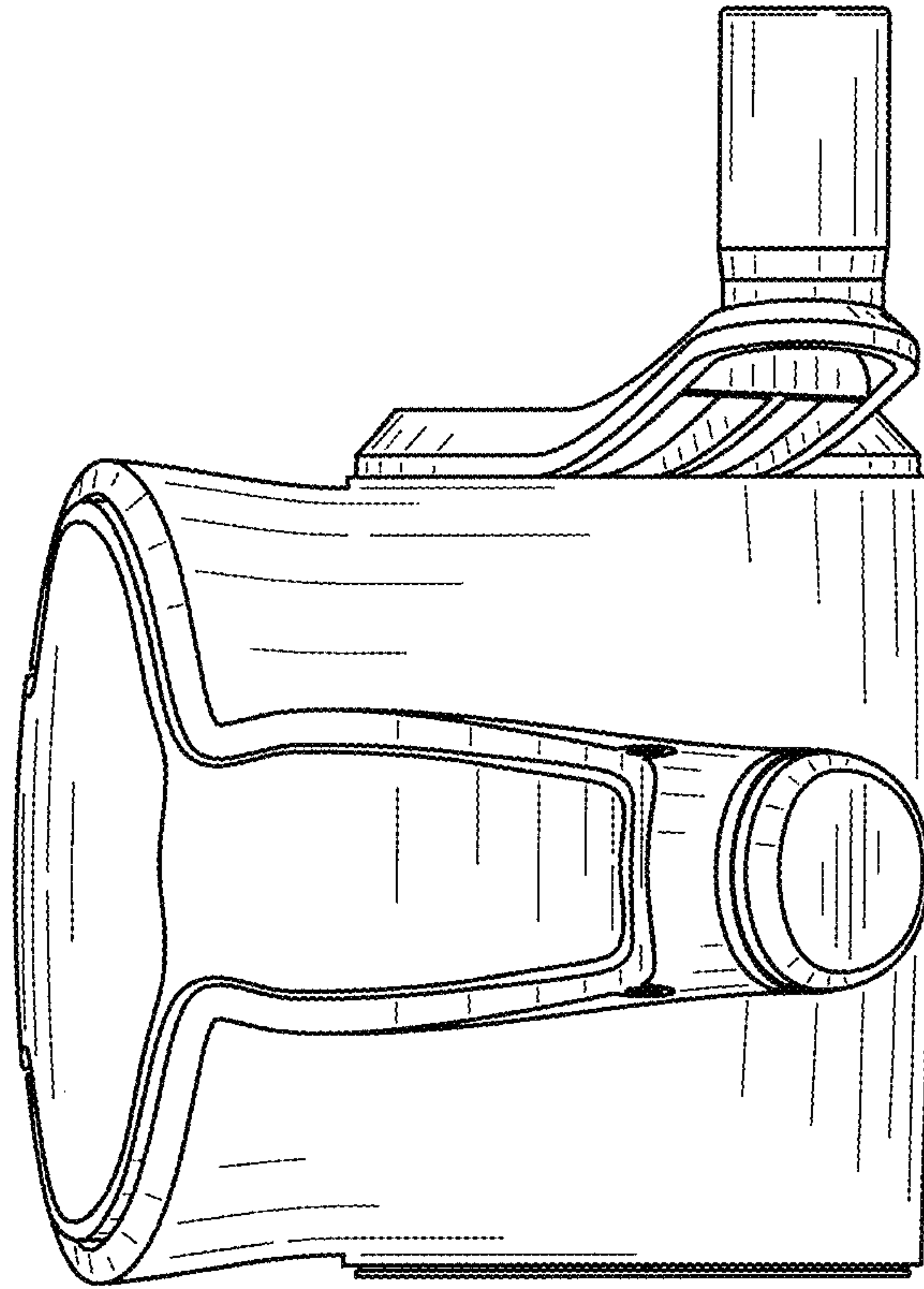


FIG. 5

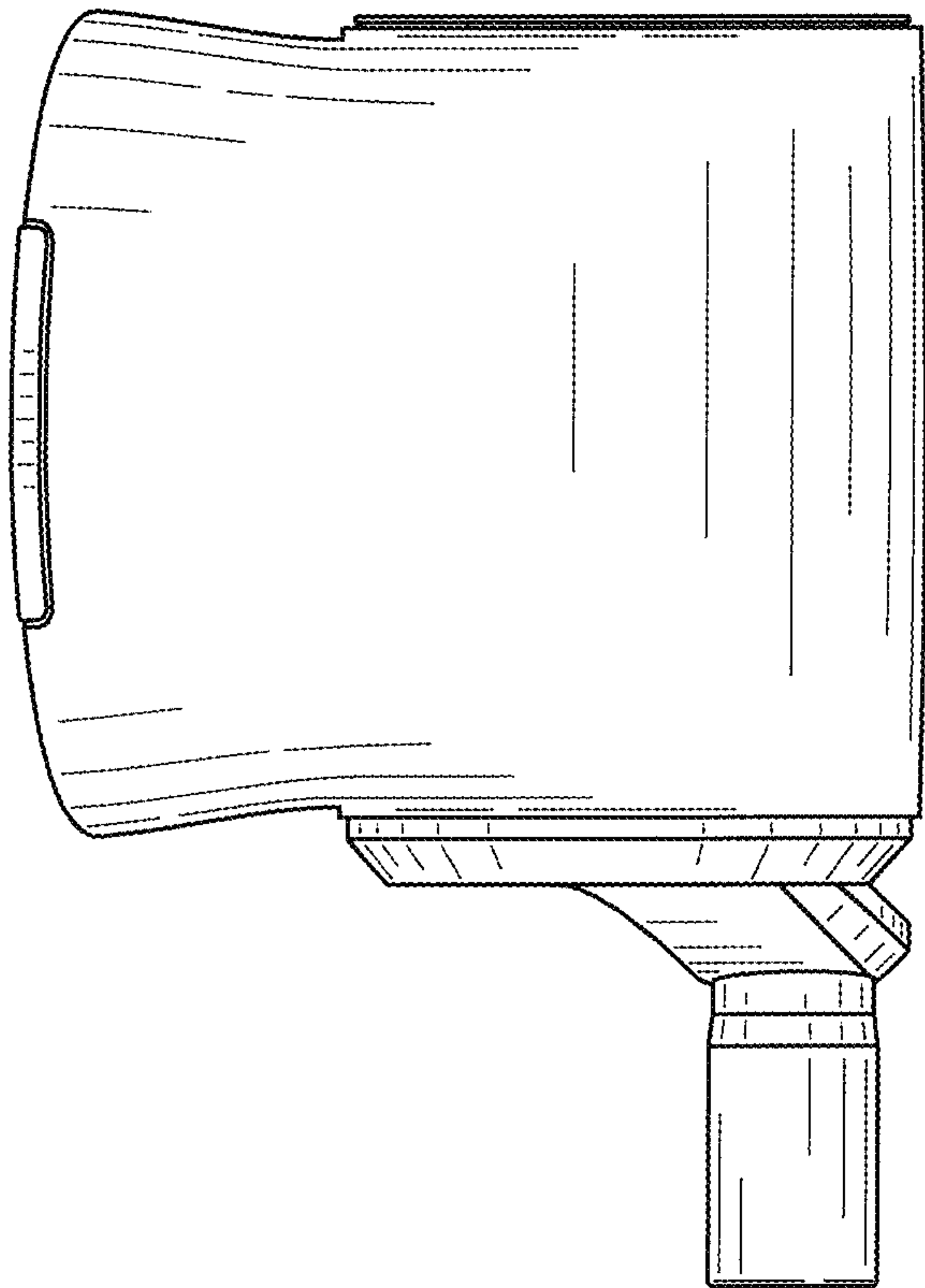


FIG. 4

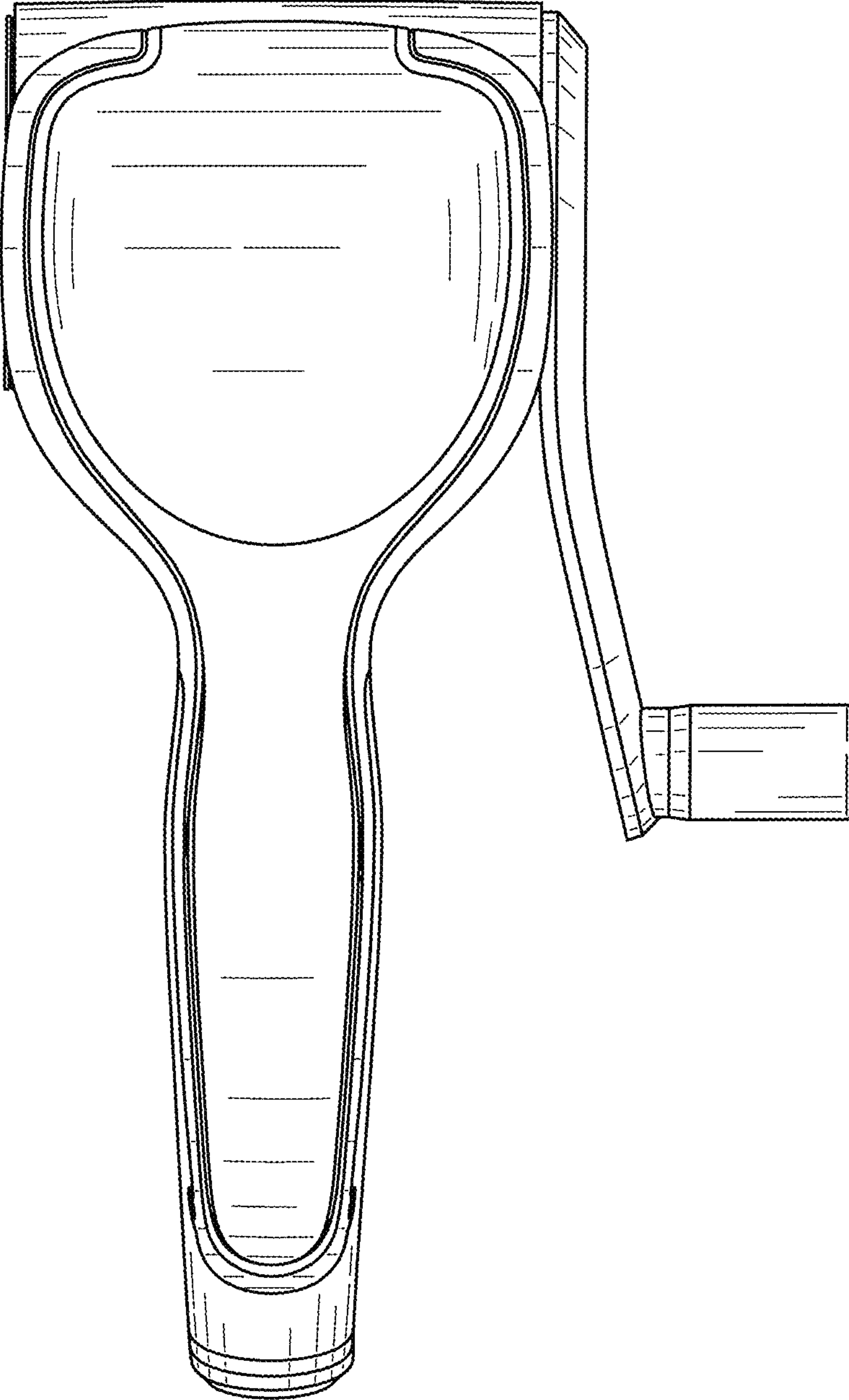


FIG. 6

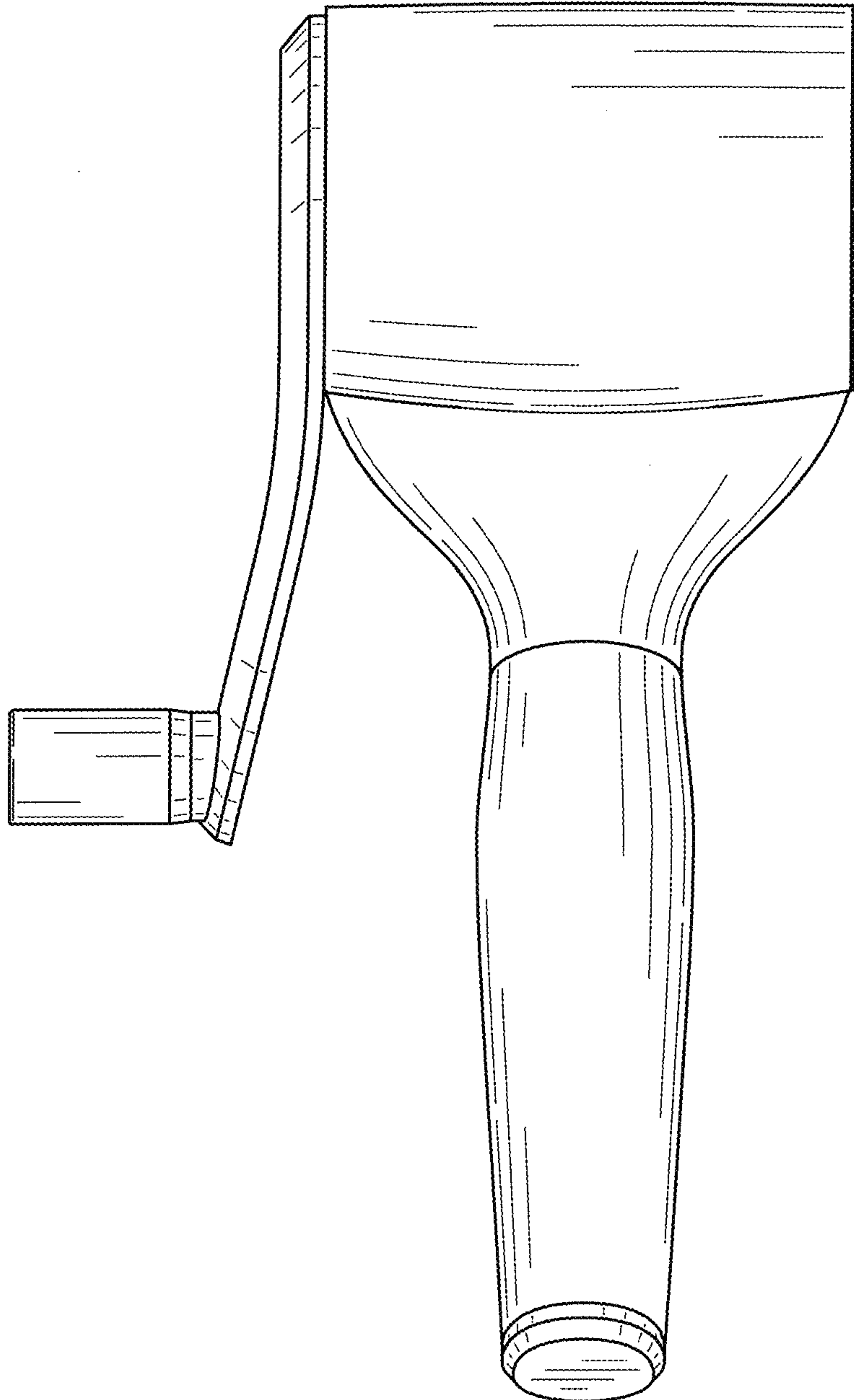


FIG. 7

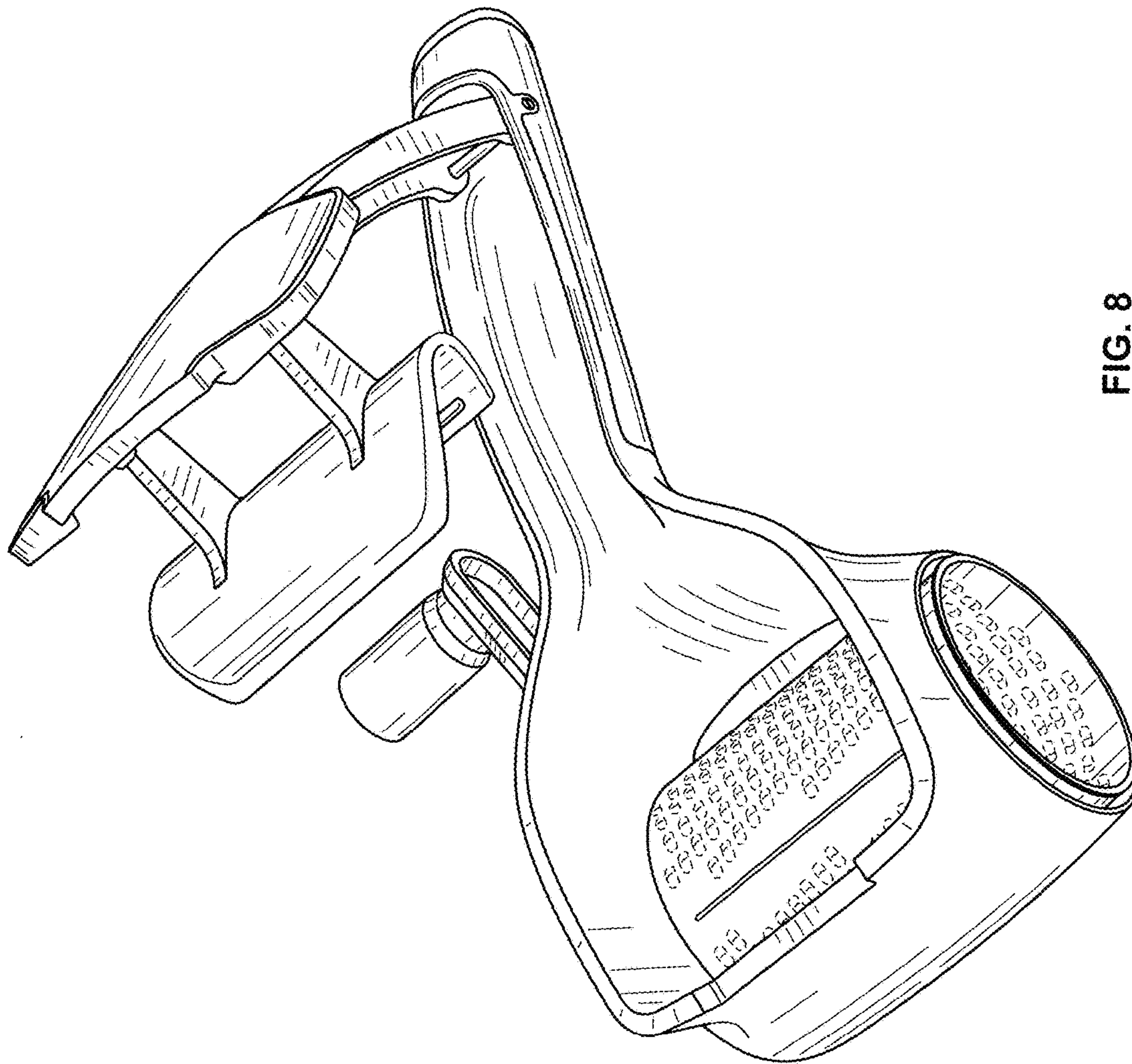


FIG. 8

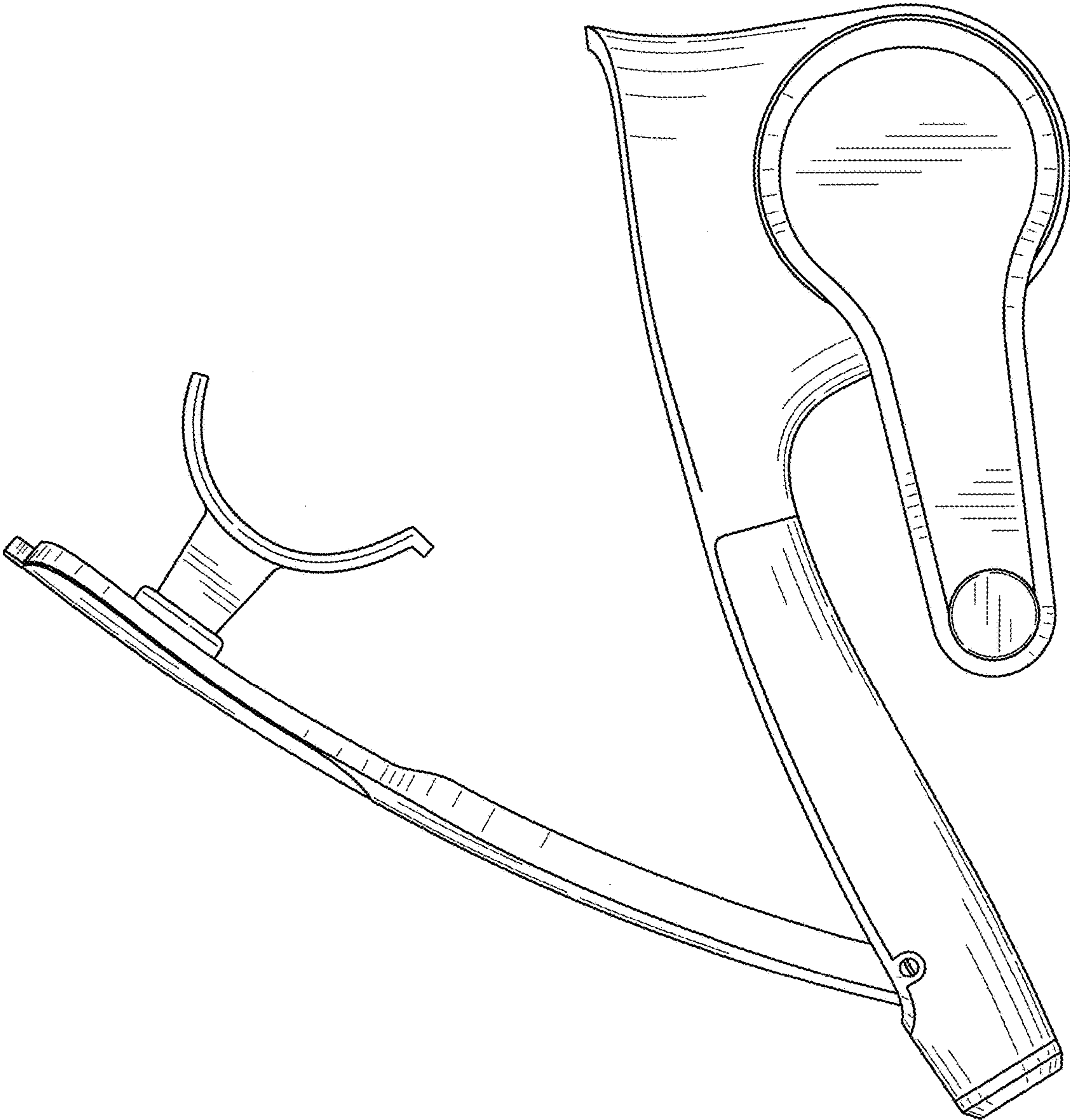


FIG. 9



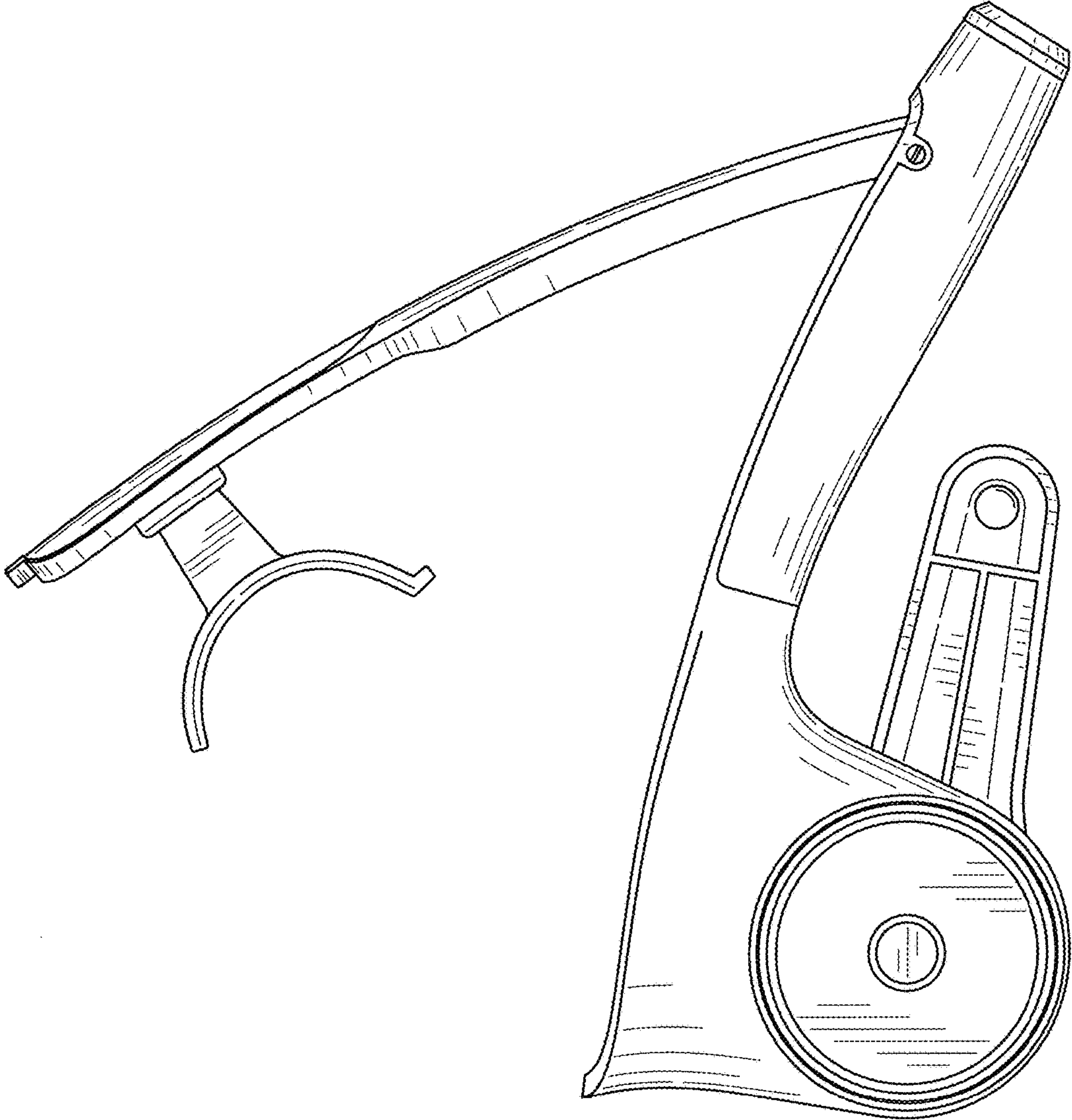


FIG. 10

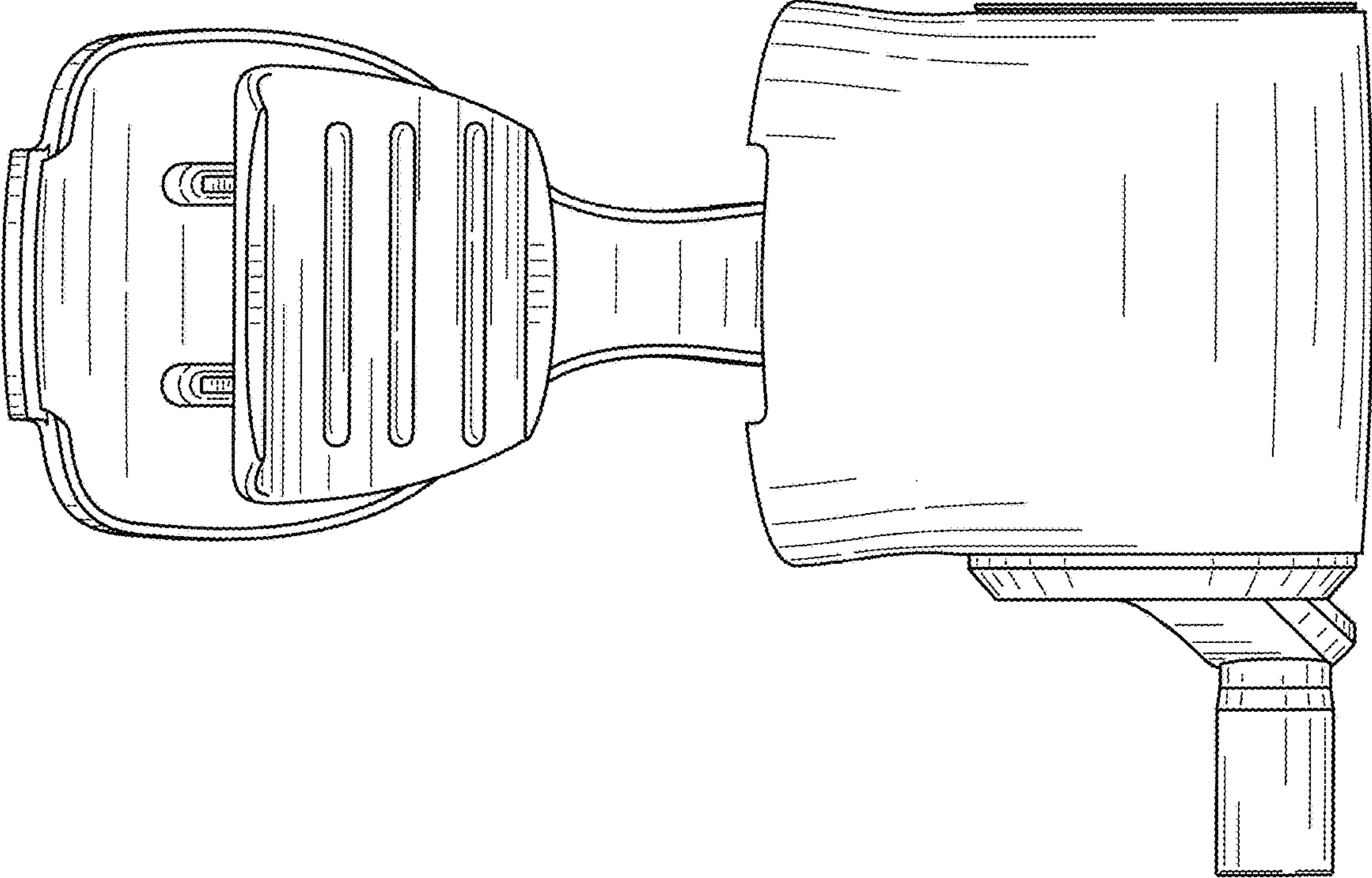


FIG. 11

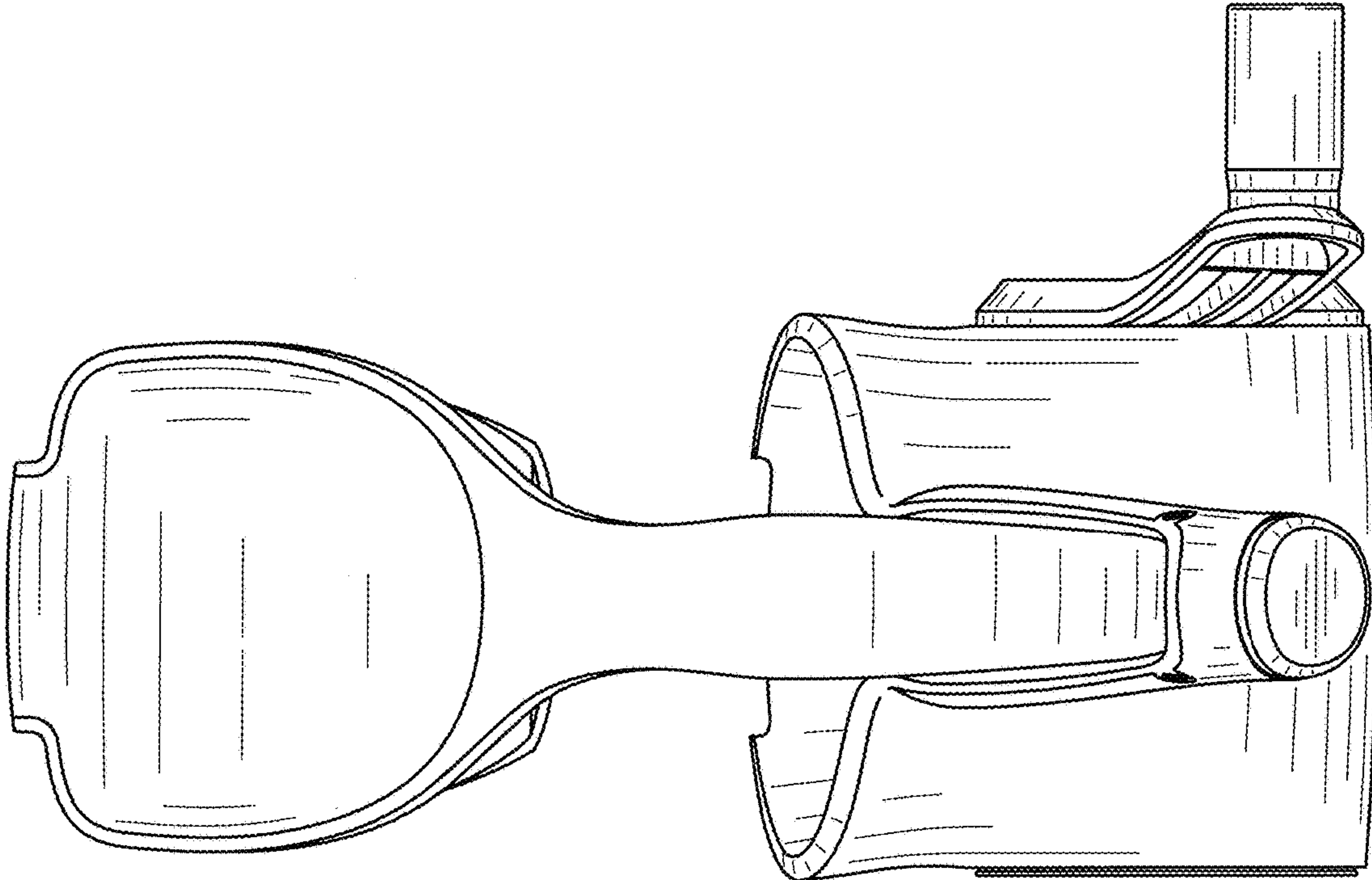


FIG. 12

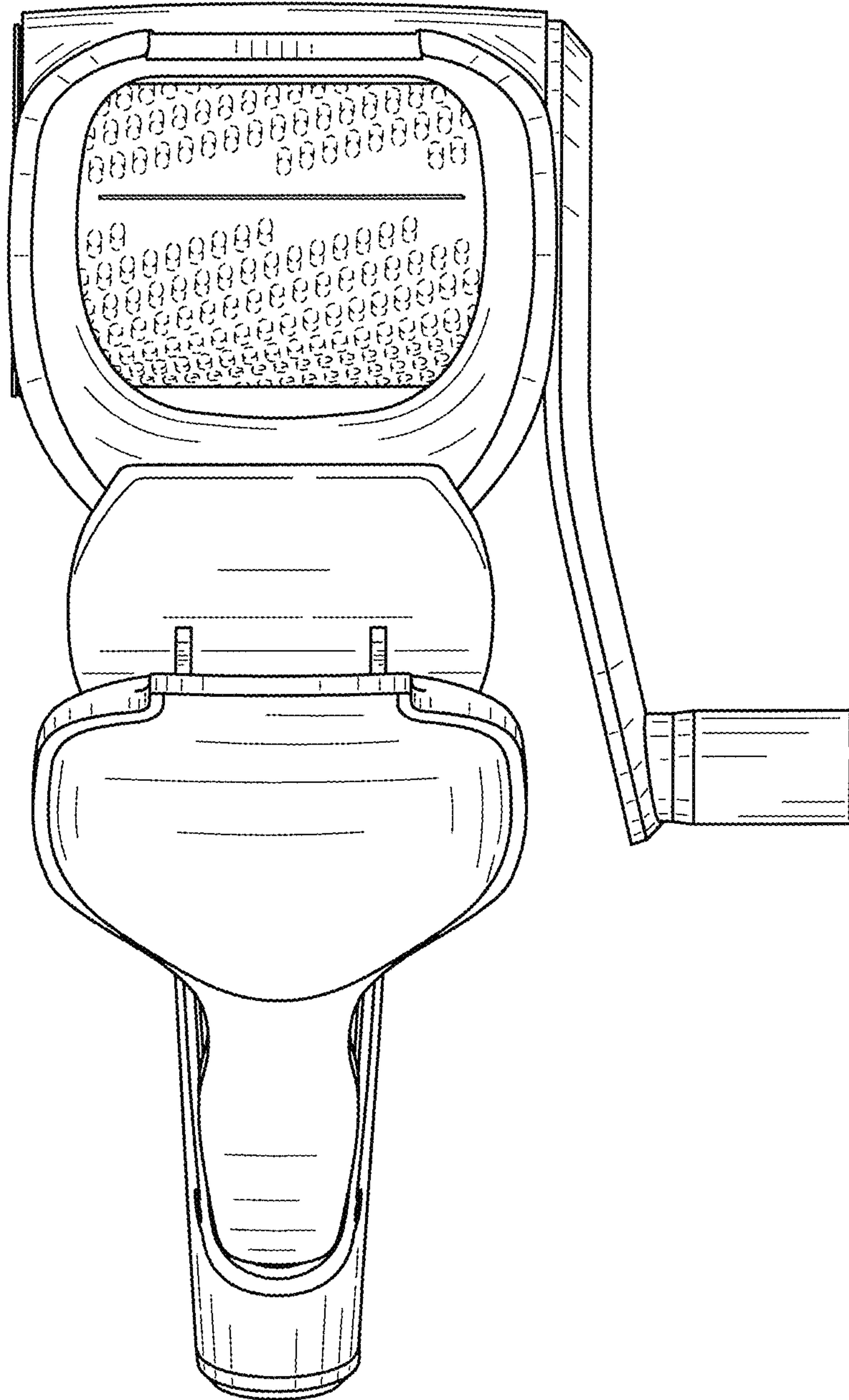


FIG. 13



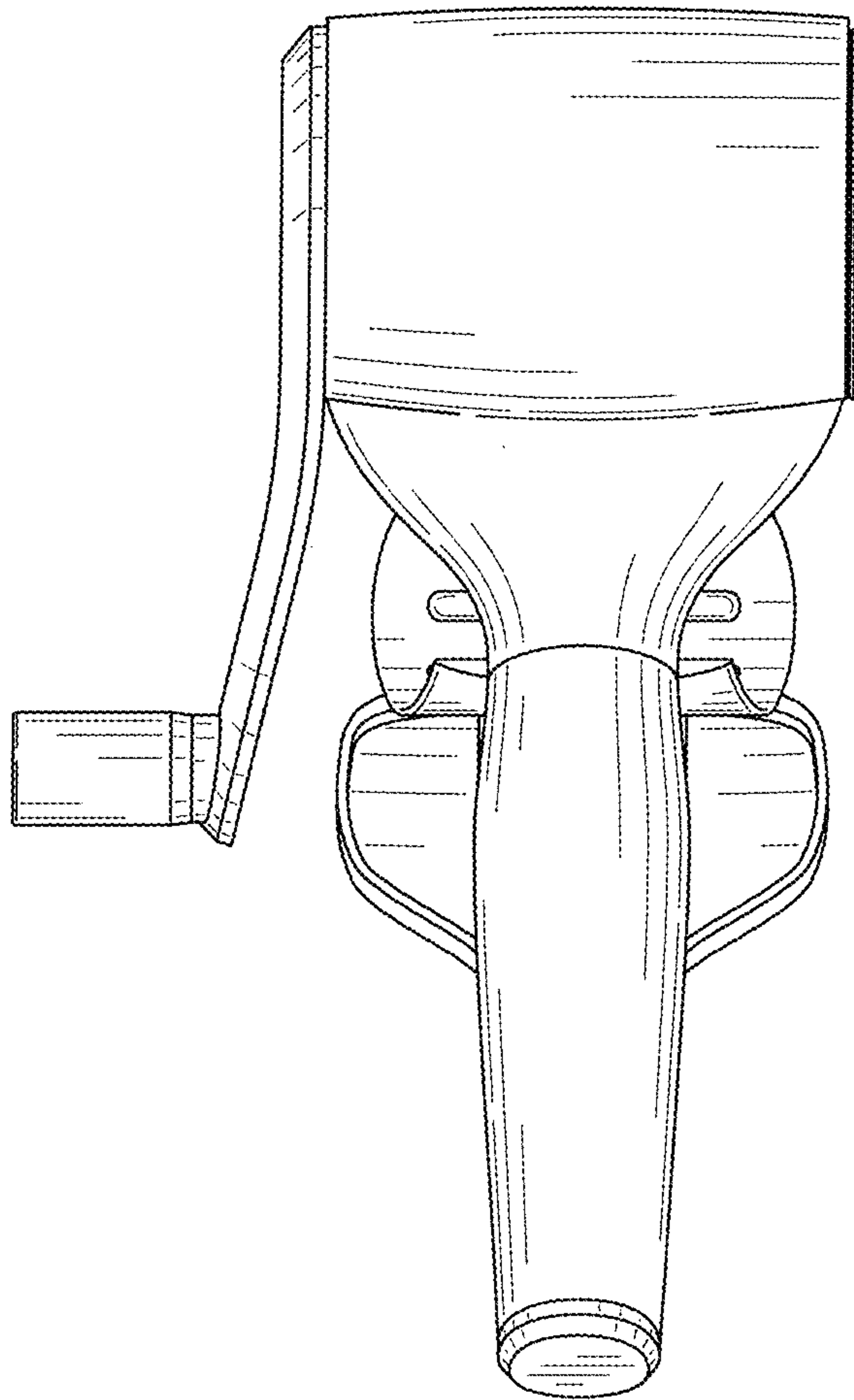


FIG. 14