



US00D787896S

(12) **United States Design Patent** (10) **Patent No.:** **US D787,896 S**
Ye (45) **Date of Patent:** **** May 30, 2017**

(54) **JUICE EXTRACTOR**

(71) Applicant: **Hamilton Beach Brands, Inc.**, Glen Allen, VA (US)

(72) Inventor: **Guoyao Ye**, Glen Allen, VA (US)

(73) Assignee: **Hamilton Beach Brands, Inc.**, Glen Allen, VA (US)

(**) Term: **15 Years**

(21) Appl. No.: **29/555,248**

(22) Filed: **Feb. 19, 2016**

(51) **LOC (10) Cl.** **31-00**

(52) **U.S. Cl.**
USPC **D7/665**

(58) **Field of Classification Search**
USPC D7/665, 666, 376-378, 381, 384, 412
CPC A47J 43/0794; A47J 19/027; A47J 19/022;
A47J 19/00; A47J 19/06; A47J 19/02;
A23N 1/02

See application file for complete search history.

(56) **References Cited**

U.S. PATENT DOCUMENTS

D159,469 S	8/1950	Bennett	
4,941,403 A	7/1990	Cimenti	
D439,808 S	4/2001	McClean et al.	
D501,370 S	2/2005	Hensel et al.	
D506,108 S	6/2005	Cohen et al.	
D513,943 S	1/2006	Hsu	
7,066,082 B2 *	6/2006	O'Loughlin A47J 19/027 99/511
D526,540 S *	8/2006	Cohen D7/665
D555,434 S	11/2007	Cohen et al.	
7,481,155 B2 *	1/2009	Larsen A47J 19/027 241/37.5
D594,717 S	6/2009	Wu Chang	

D720,189 S	12/2014	Lee	
2003/0061944 A1 *	4/2003	Fouquet A47J 19/027 99/511
2006/0086261 A1 *	4/2006	Cohen A47J 19/027 99/511
2010/0300307 A1 *	12/2010	Huang A47J 19/027 99/511
2011/0083566 A1 *	4/2011	Backus A47J 19/027 99/511
2011/0154997 A1 *	6/2011	Huang A23N 1/02 99/508
2013/0255511 A1 *	10/2013	Steiner A47J 19/02 99/513

* cited by examiner

Primary Examiner — Terry Wallace

(74) *Attorney, Agent, or Firm* — Alexander D. Raring

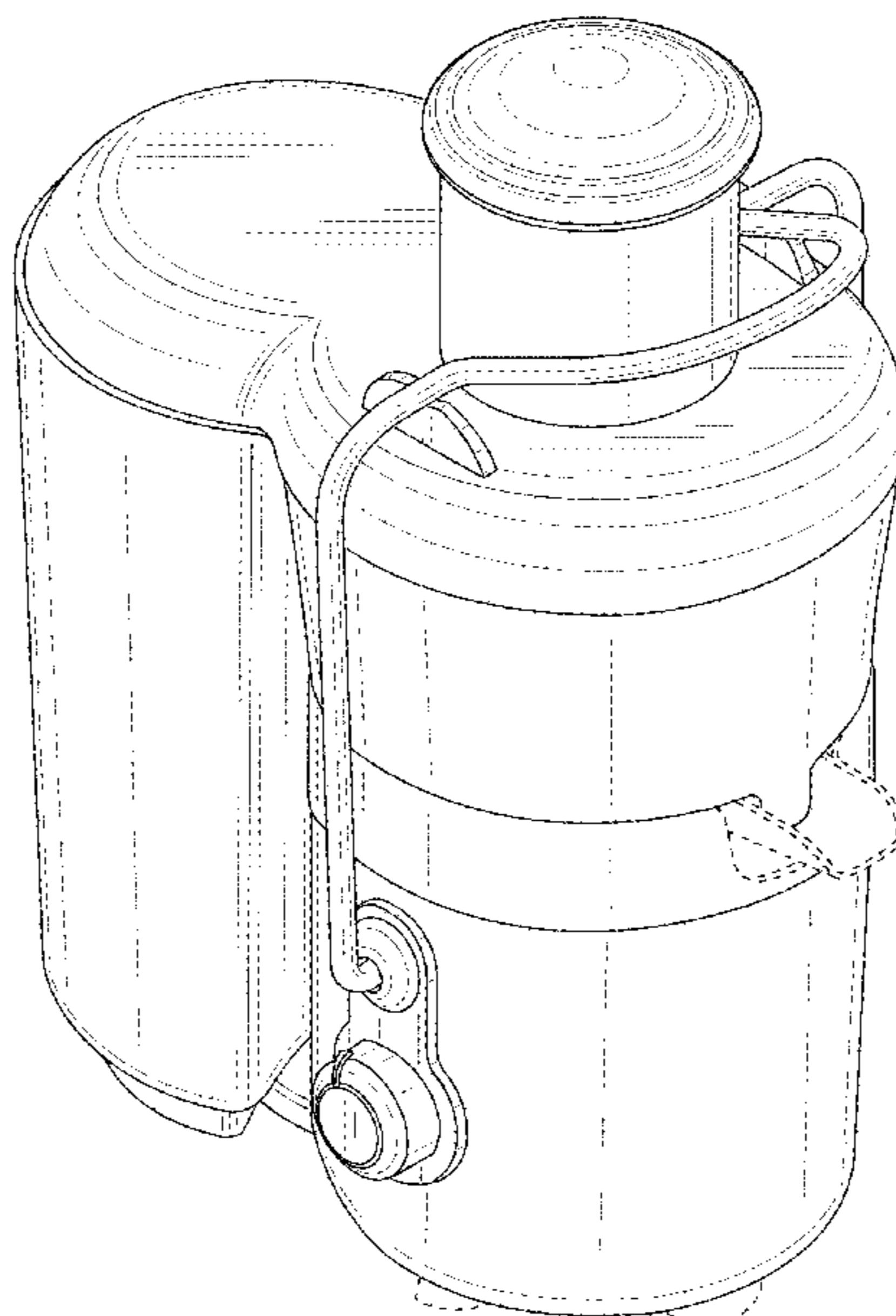
(57) **CLAIM**

The ornamental design for a juice extractor, as shown and described.

DESCRIPTION

FIG. 1 is a perspective view as seen from the top, front and right side of a juice extractor showing the new design; FIG. 2 is a perspective view as seen from the bottom, front, and left side thereof; FIG. 3 is a front view thereof; FIG. 4 is a rear side view thereof; FIG. 5 is a right side view thereof; FIG. 6 is a left view thereof; FIG. 7 is a top view thereof; and, FIG. 8 is a bottom view thereof. The broken lines in the drawings are included for illustrative purposes only and form no part of the claimed design.

1 Claim, 8 Drawing Sheets



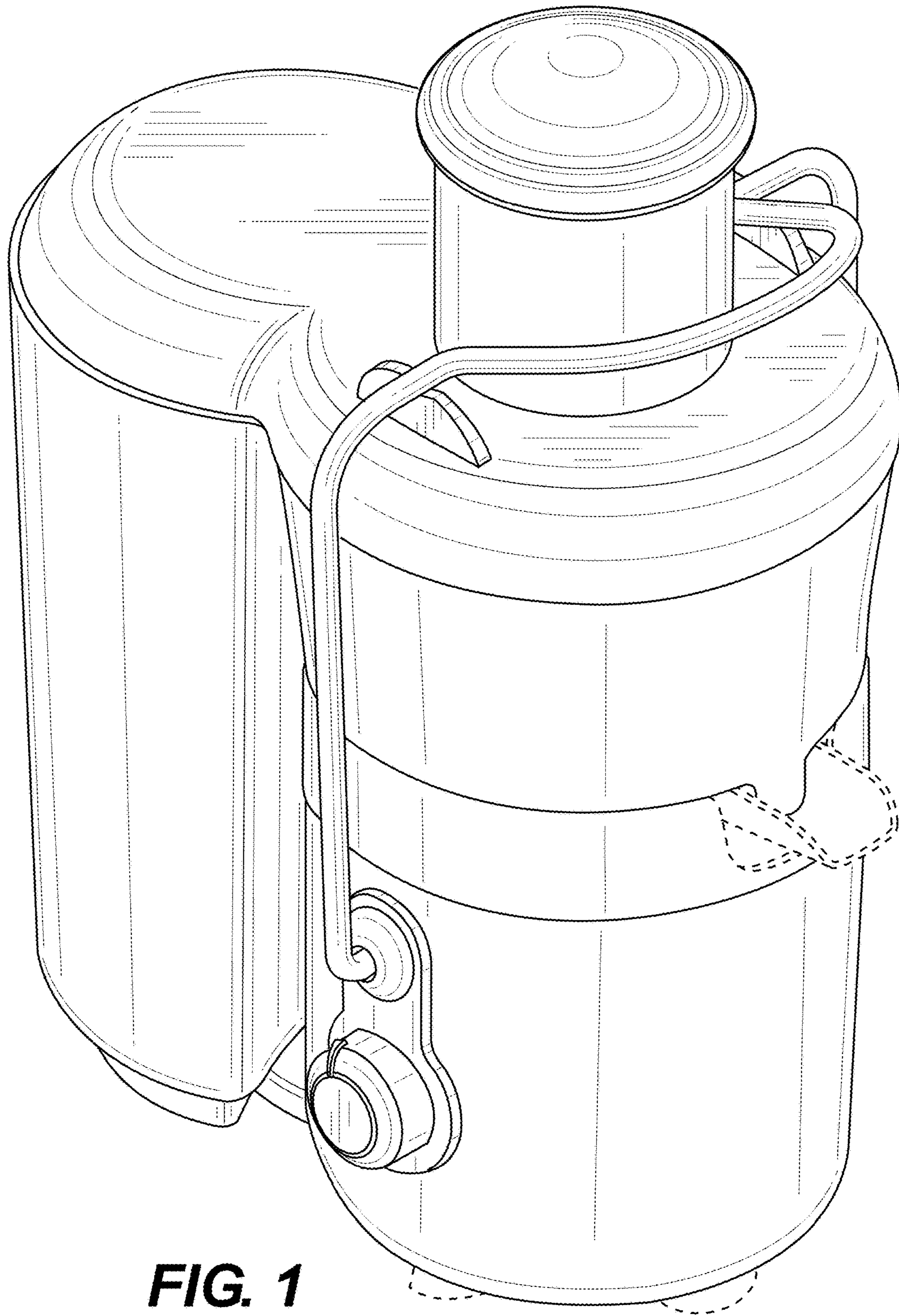


FIG. 1

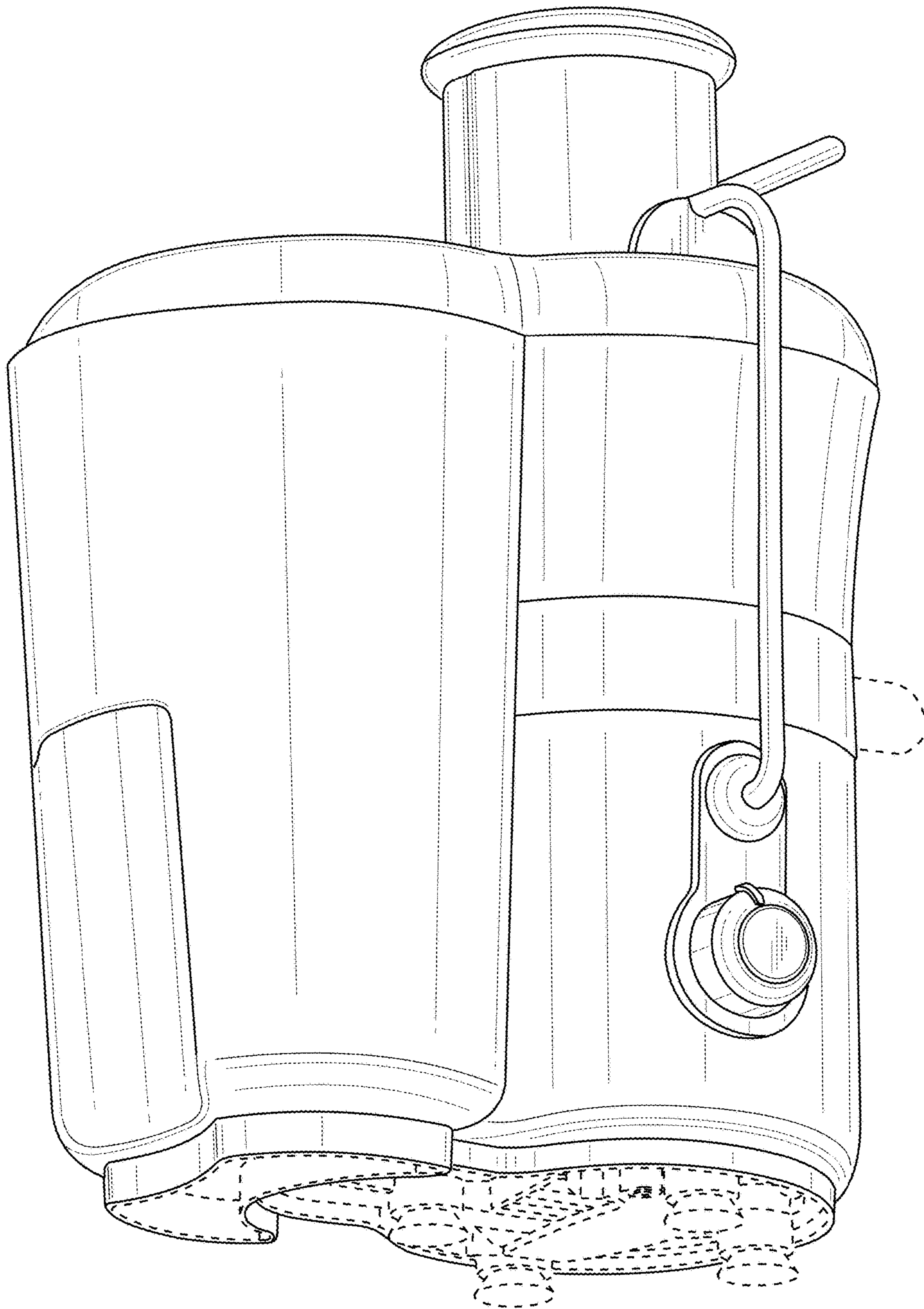


FIG. 2

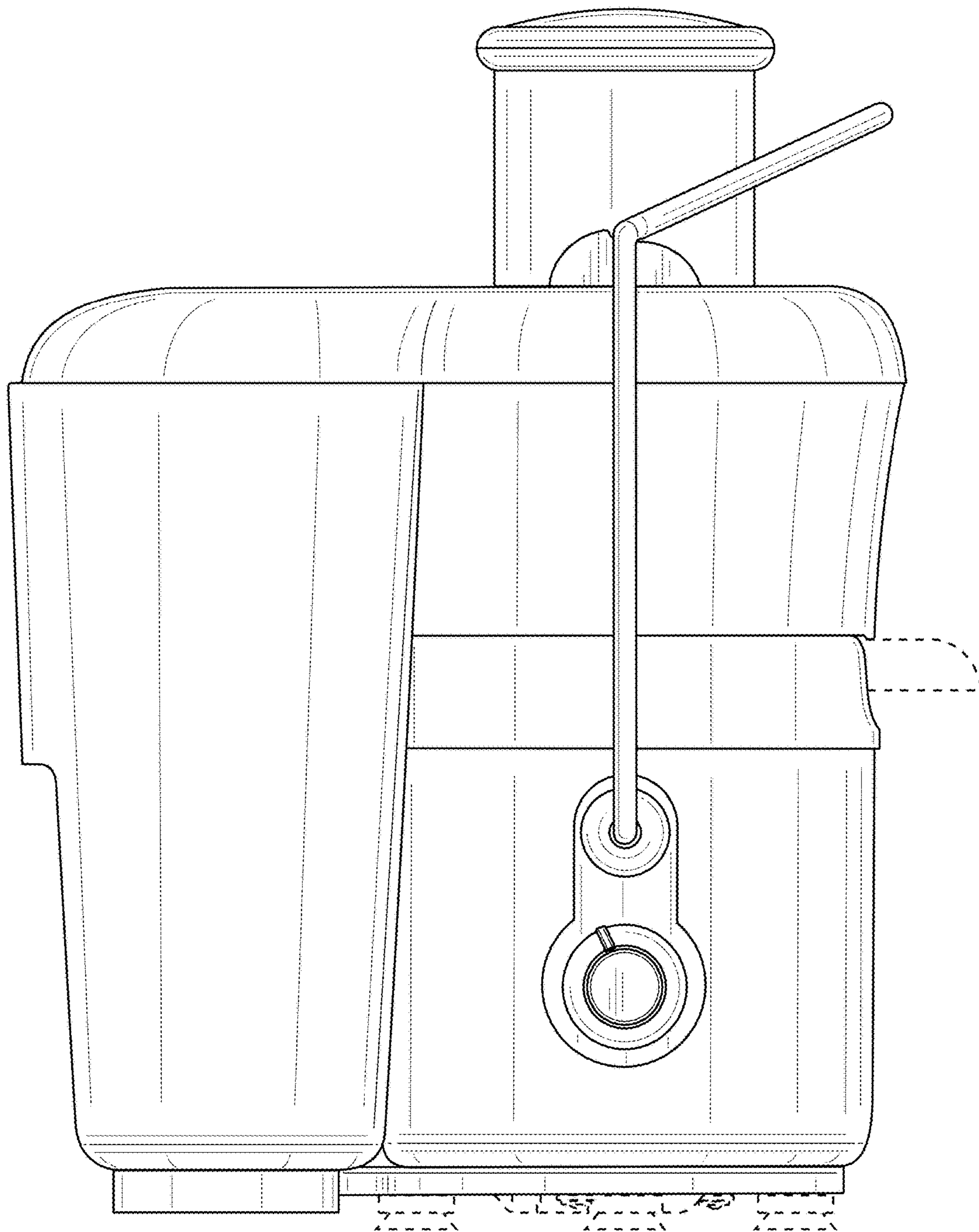


FIG. 3

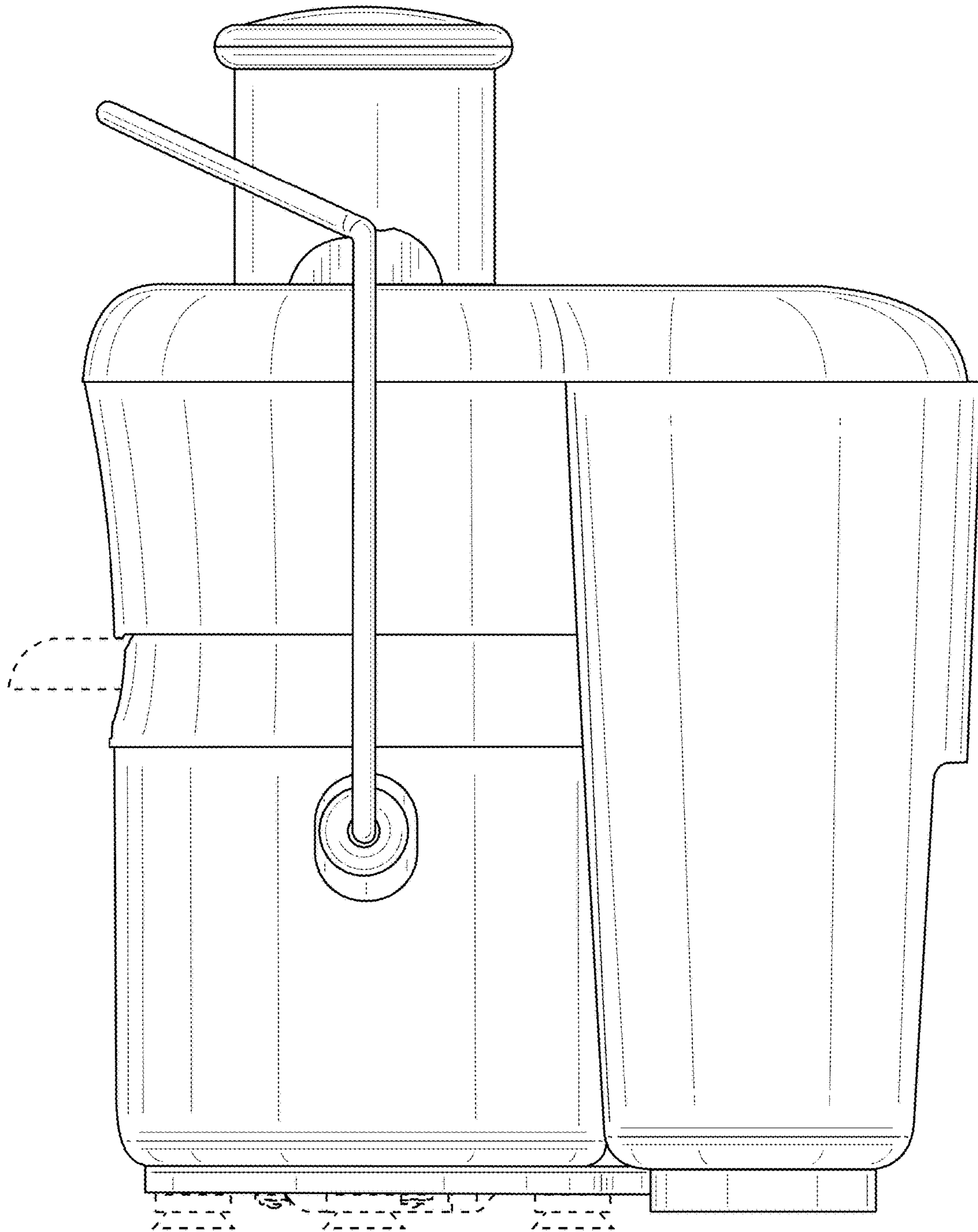


FIG. 4

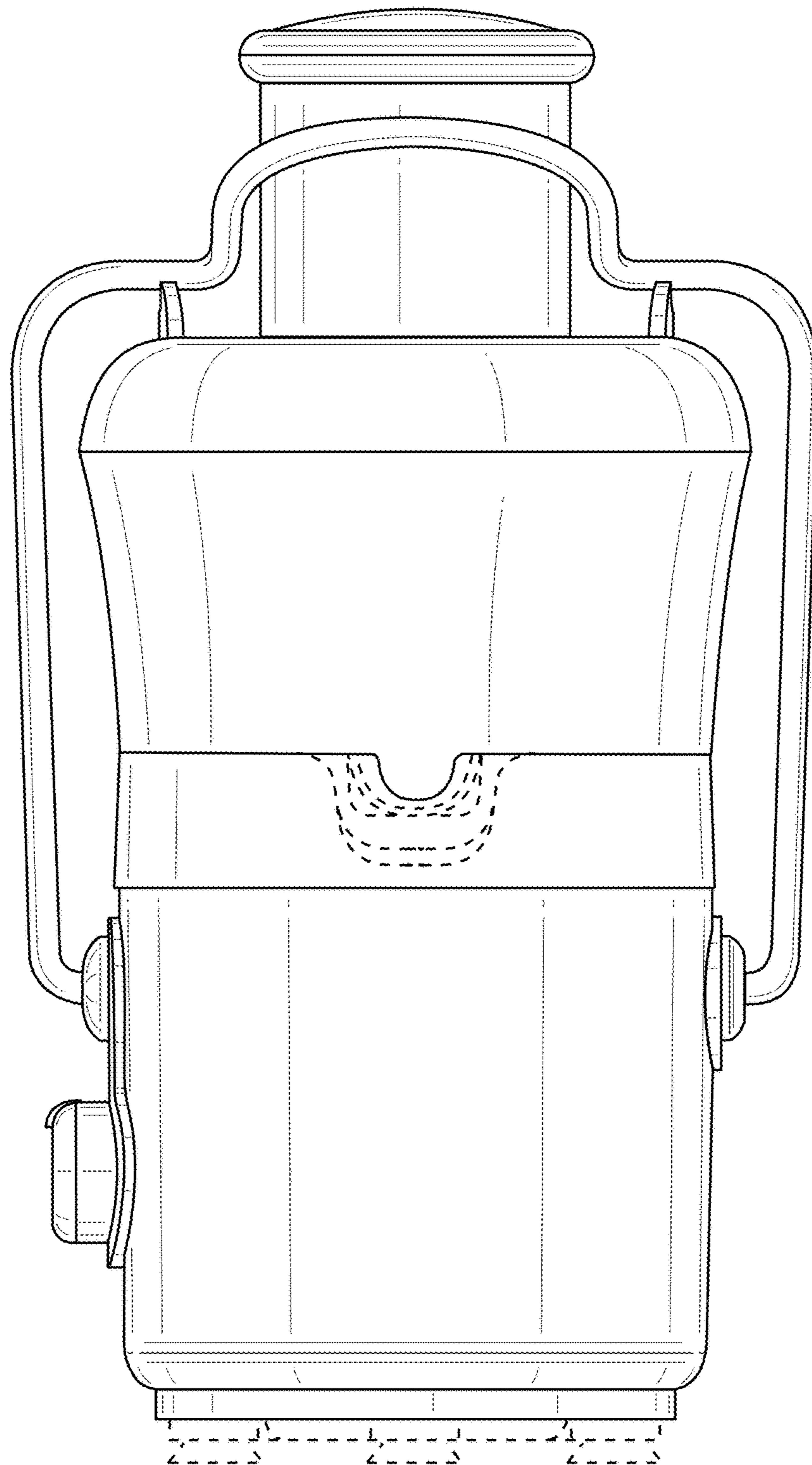


FIG. 5

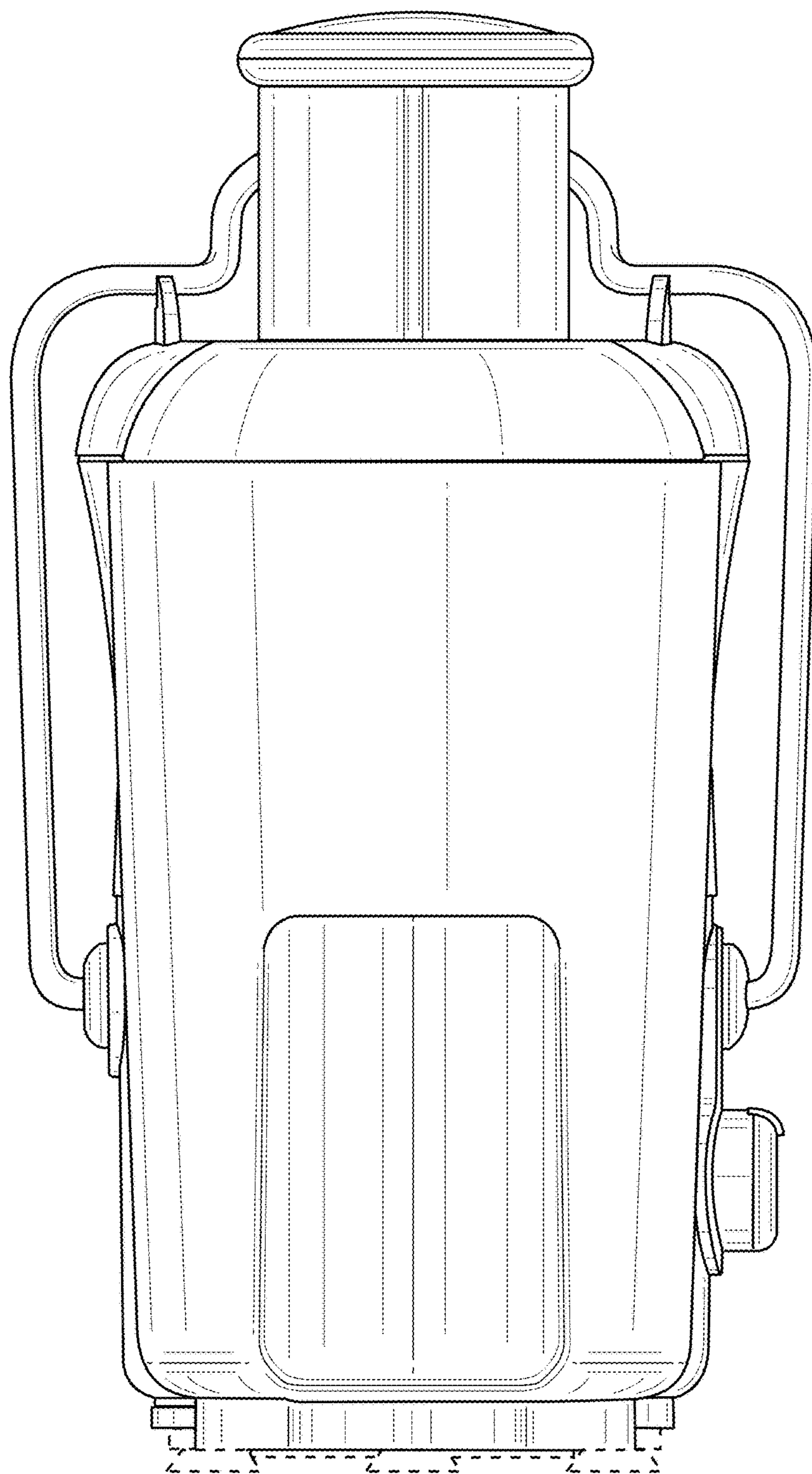


FIG. 6

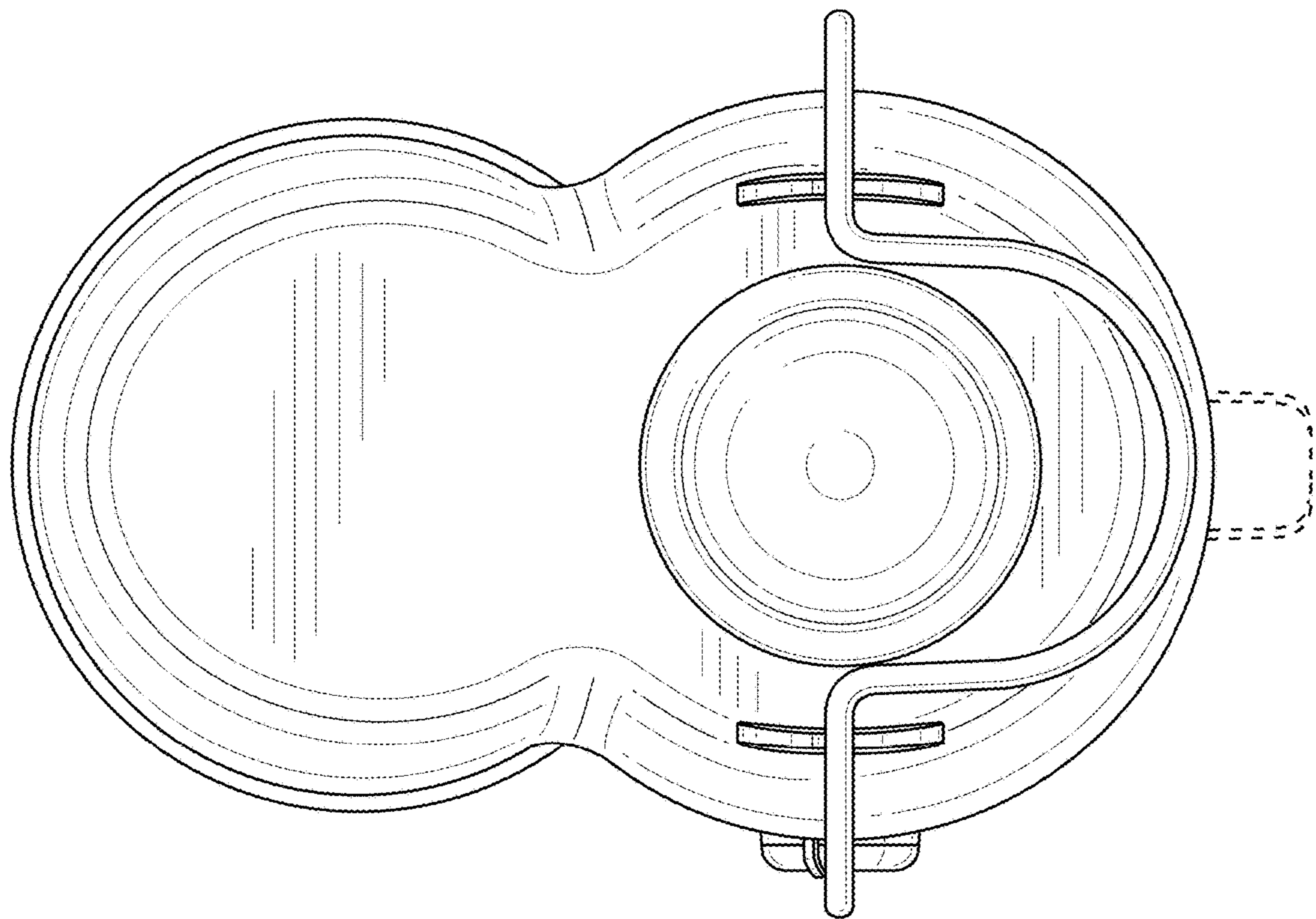


FIG. 7

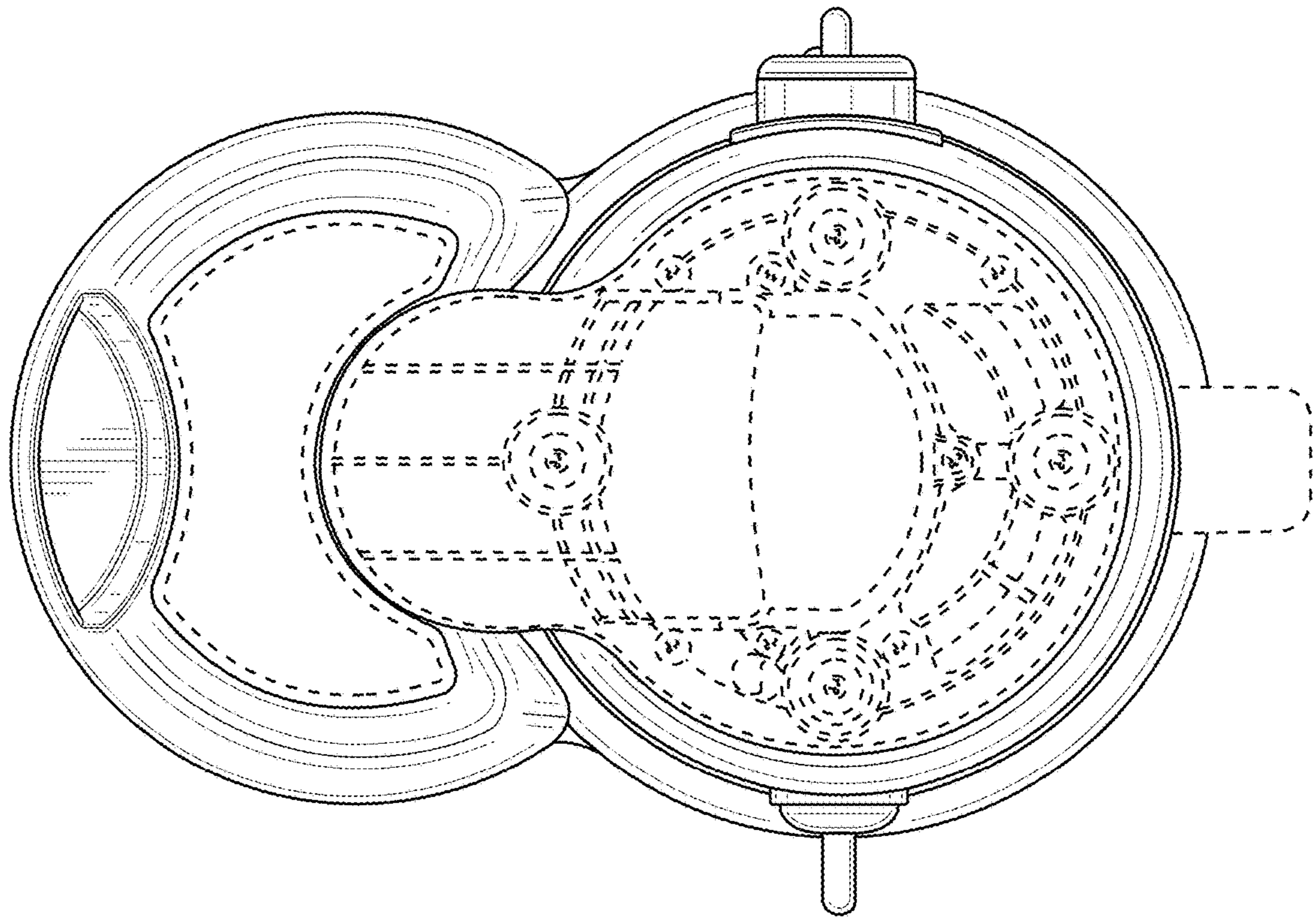


FIG. 8