



US00D787895S

(12) **United States Design Patent**
Kilduff et al.

(10) **Patent No.:** **US D787,895 S**

(45) **Date of Patent:** **** May 30, 2017**

(54) **STORAGE CONTAINER**

DESCRIPTION

(71) Applicants: **Edward Kilduff**, New York, NY (US);
Gareth Brown, Jersey City, NJ (US);
Matthew L. Chin, New York, NY (US)

(72) Inventors: **Edward Kilduff**, New York, NY (US);
Gareth Brown, Jersey City, NJ (US);
Matthew L. Chin, New York, NY (US)

(73) Assignee: **FRESHLINK PRODUCT DEVELOPMENT LLC NY (US)**

(**) Term: **14 Years**

(21) Appl. No.: **29/517,993**

(22) Filed: **Feb. 19, 2015**

(51) **LOC (10) Cl.** **07-01**

(52) **U.S. Cl.**
USPC **D7/629**

(58) **Field of Classification Search**
USPC D7/602, 629, 630, 612-615; D9/529,
D9/560, 414, 516, 434, 435, 574;
D28/76

(Continued)

(56) **References Cited**

U.S. PATENT DOCUMENTS

6,923,347 B2 * 8/2005 Winckels A45D 40/0068
206/229
D570,221 S * 6/2008 Moretti D9/454

(Continued)

Primary Examiner — Terry Wallace

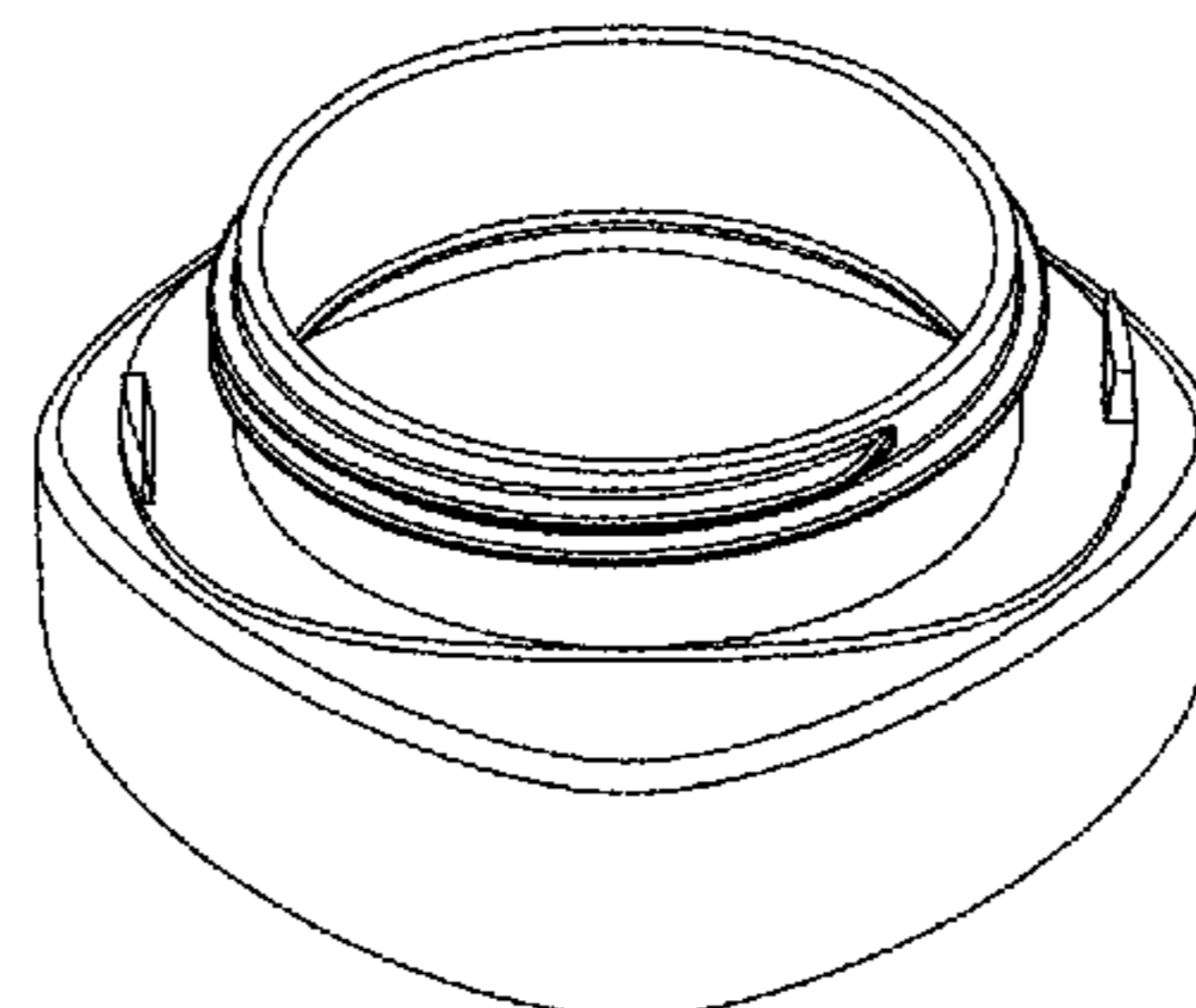
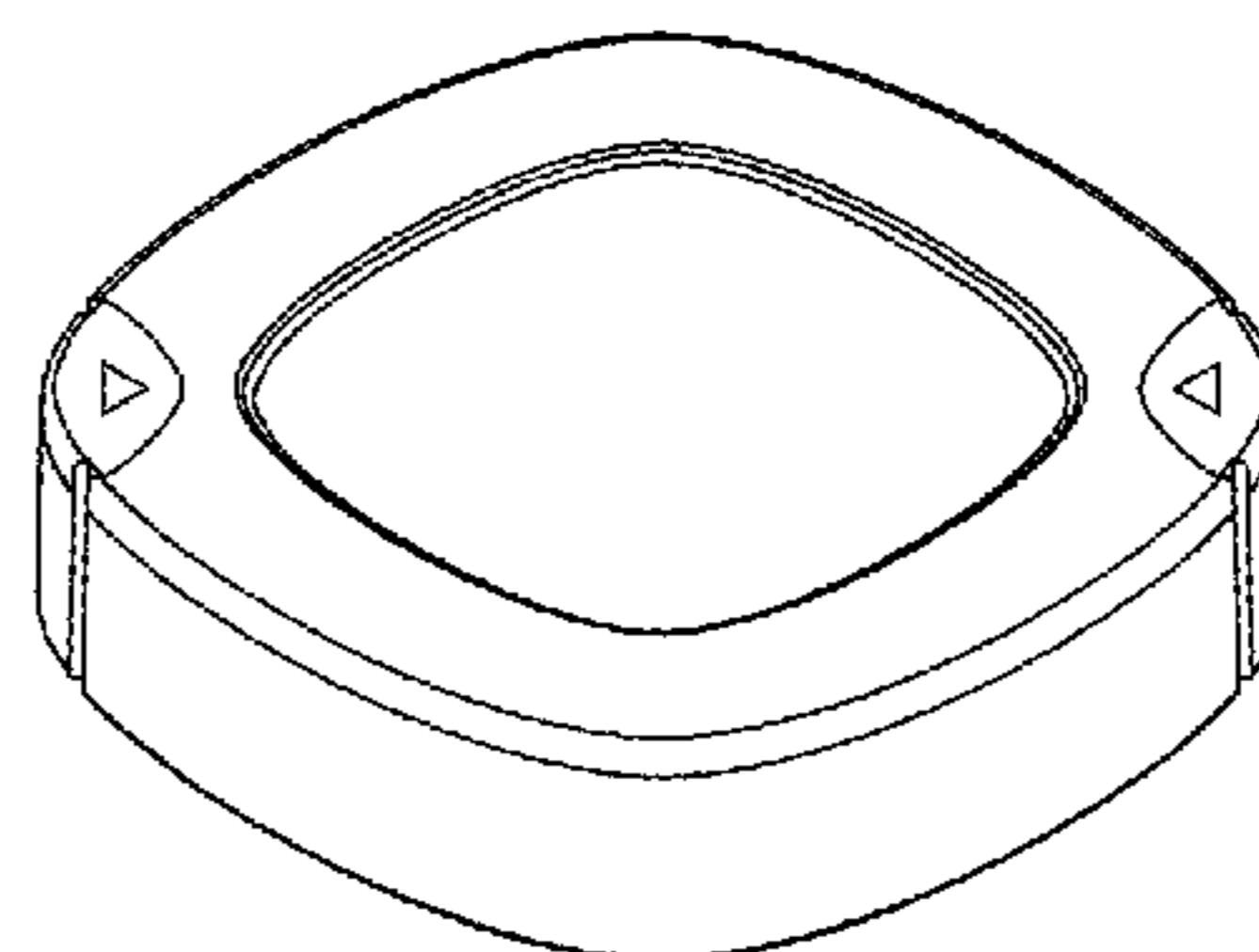
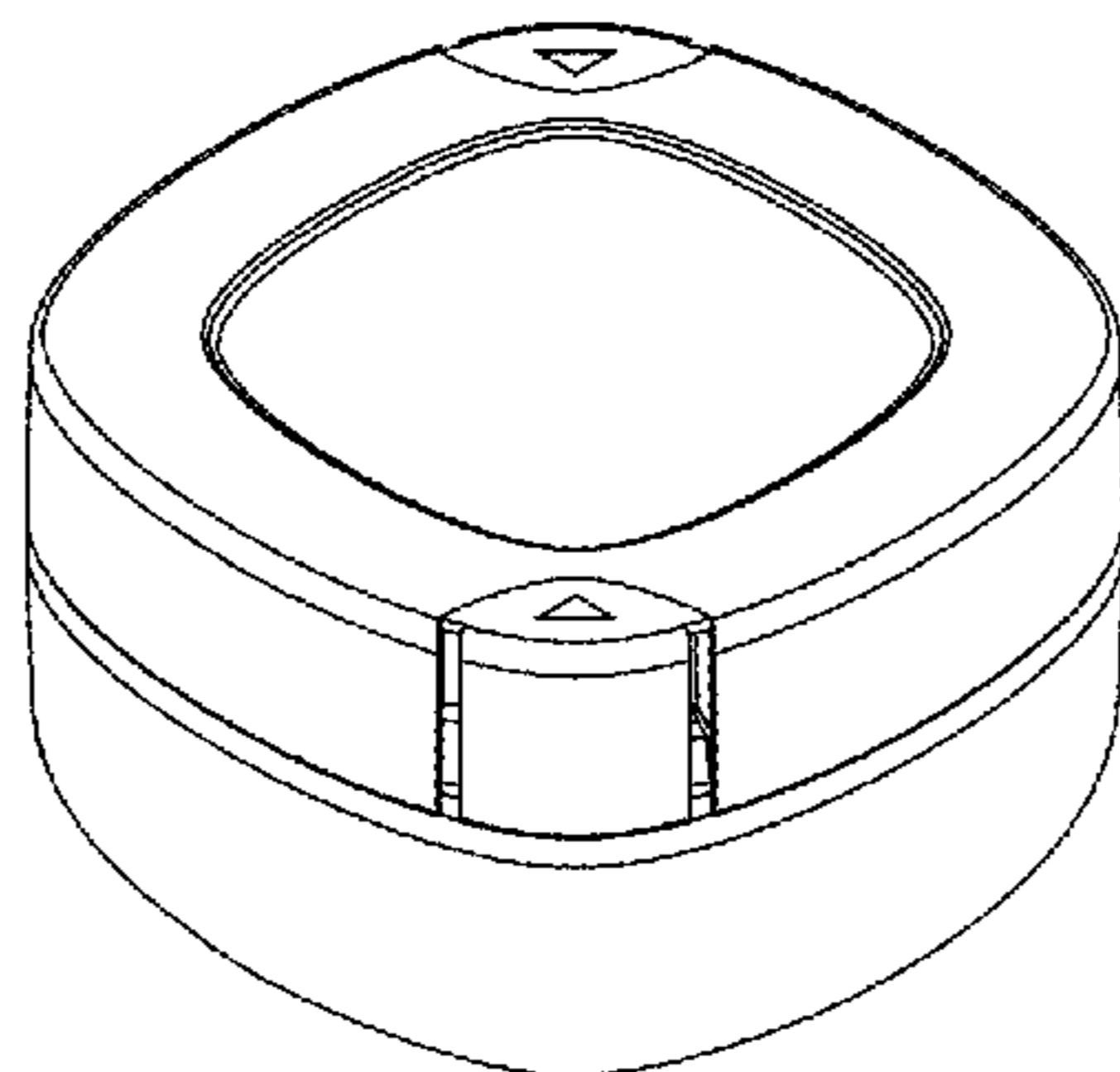
(74) *Attorney, Agent, or Firm* — Klauber & Jackson LLC

(57) **CLAIM**

The ornamental design for a storage container, as shown and described.

FIG. 1 is a perspective view of the top and adjacent sides of a storage container showing our new design;
FIG. 2 a perspective view similar to FIG. 1 showing the storage container in the open position;
FIG. 3 a side view of the storage container of FIG. 1;
FIG. 4 is a sectional view taken through Line 4-4 of FIG. 3;
FIG. 5 is a perspective view of the top and adjacent sides of a further embodiment of a storage container showing our new design;
FIG. 6 a perspective view similar to FIG. 5 showing the storage container in the open position;
FIG. 7 a side view of the storage container of FIG. 5;
FIG. 8 is a sectional view taken through Line 8-8 of FIG. 7;
FIG. 9 is a perspective view of the top and adjacent sides of a further embodiment of a storage container showing our new design;
FIG. 10 a side view of the storage container of FIG. 9;
FIG. 11 is a top plan view thereof;
FIG. 12 is a bottom plan view thereof;
FIG. 13 is a perspective view of the top and adjacent sides of the storage container of FIG. 5 with the lid removed;
FIG. 14 is a right side view thereof;
FIG. 15 is a side view of FIG. 14 rotated clockwise by 90 degrees;
FIG. 16 is a sectional view taken through Line 16-16 of FIG. 15;
FIG. 17 is a bottom plan view thereof;
FIG. 18 is a perspective view of the top and adjacent sides of a lid for the storage container, shown separately for clarity of illustration;
FIG. 19 is a perspective view of the bottom and adjacent sides of the lid of FIG. 18;
FIG. 20 is a top plan view thereof;
FIG. 21 is a bottom plan view thereof;
FIG. 22 is a side view thereof; and,
FIG. 23 is a sectional view taken through line 23-23 of FIG. 20.
The storage container and lid are shown separately for clarity of illustration.

1 Claim, 5 Drawing Sheets



(58) **Field of Classification Search**

CPC B65D 51/18; A45D 40/00; A45D 40/0068

See application file for complete search history.

(56) **References Cited**

U.S. PATENT DOCUMENTS

D577,290	S	*	9/2008	Moretti	D9/500
D577,292	S	*	9/2008	Moretti	D9/560
D579,784	S	*	11/2008	Varlet	D9/544
D582,291	S	*	12/2008	de Baschmakoff	D9/560
D604,630	S	*	11/2009	Canamasas Puigbo	D9/560
D613,177	S	*	4/2010	Lee	D9/520
D620,368	S	*	7/2010	Pedersen	D9/529
D641,245	S	*	7/2011	Rodriguez	D28/76
D666,061	S	*	8/2012	Ying	D7/629
D679,960	S	*	4/2013	Hopkins	D7/629
D691,054	S	*	10/2013	Olsson	D9/435
D708,486	S	*	7/2014	Terracciano	D7/629
D710,205	S	*	8/2014	Moretti	D9/529
D734,550	S	*	7/2015	Schlatter	D28/83
2004/0069677	A1	*	4/2004	Baudin	B65D 51/18 206/581

* cited by examiner

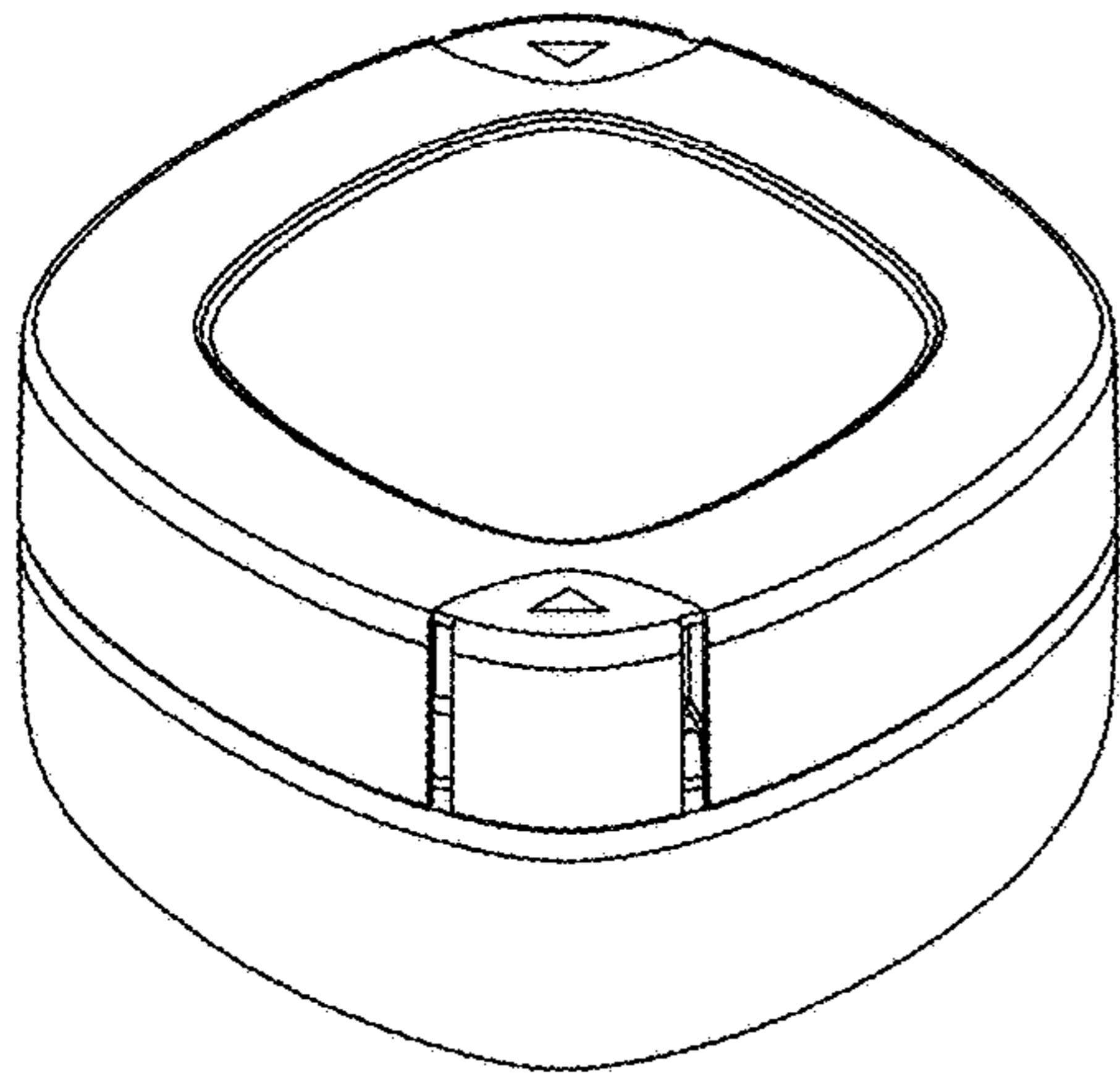


Fig. 1

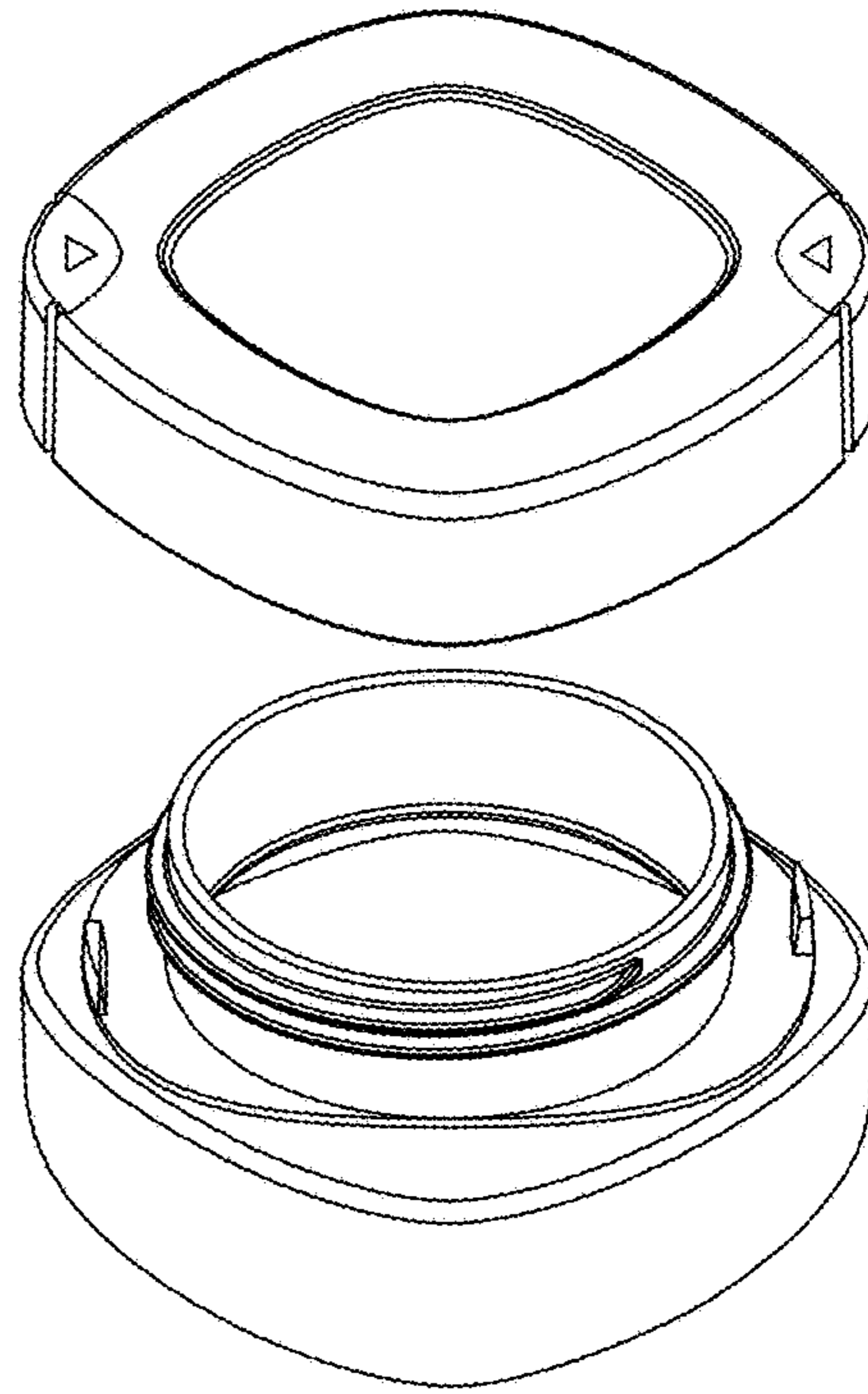


Fig. 2

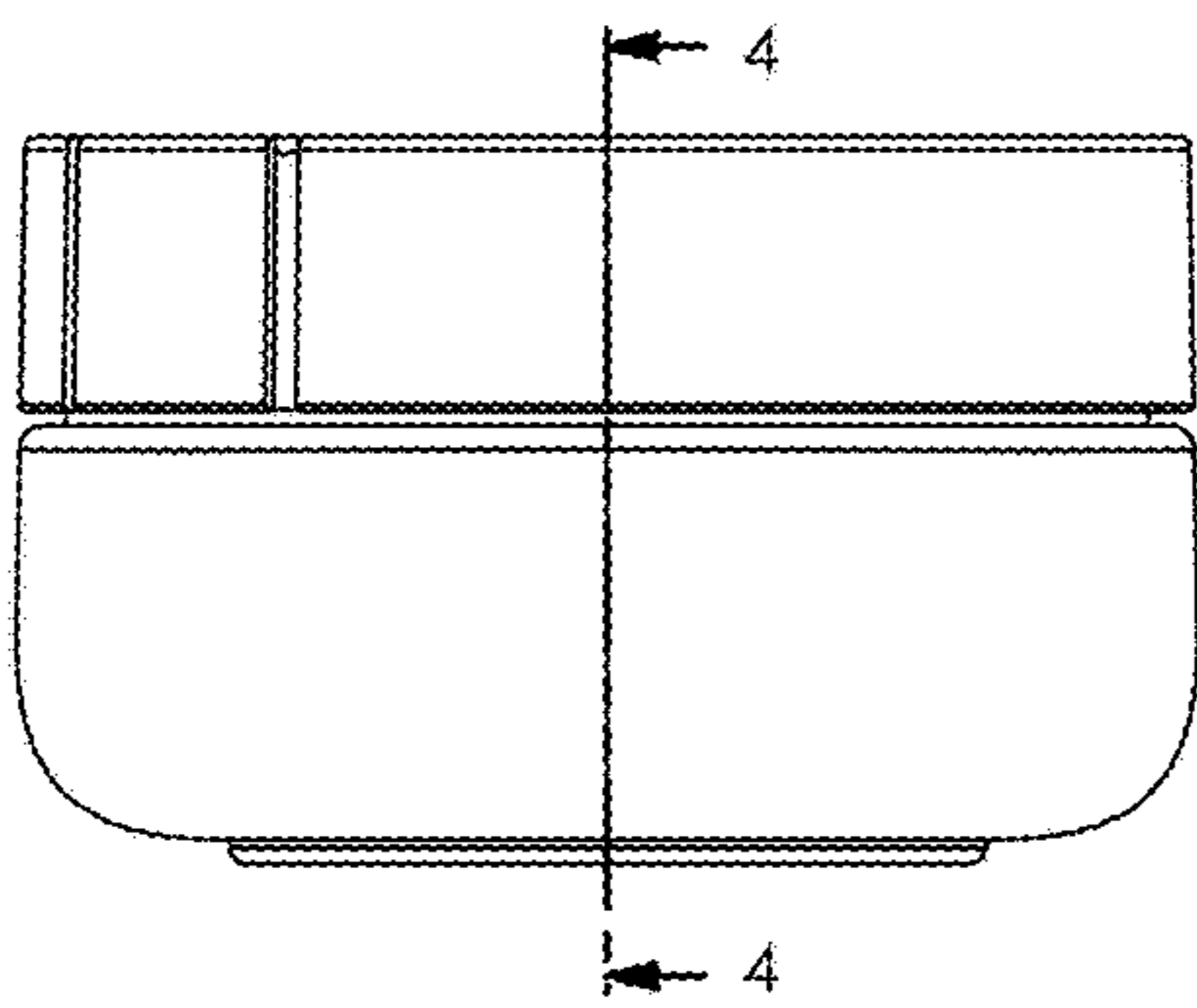


Fig. 3

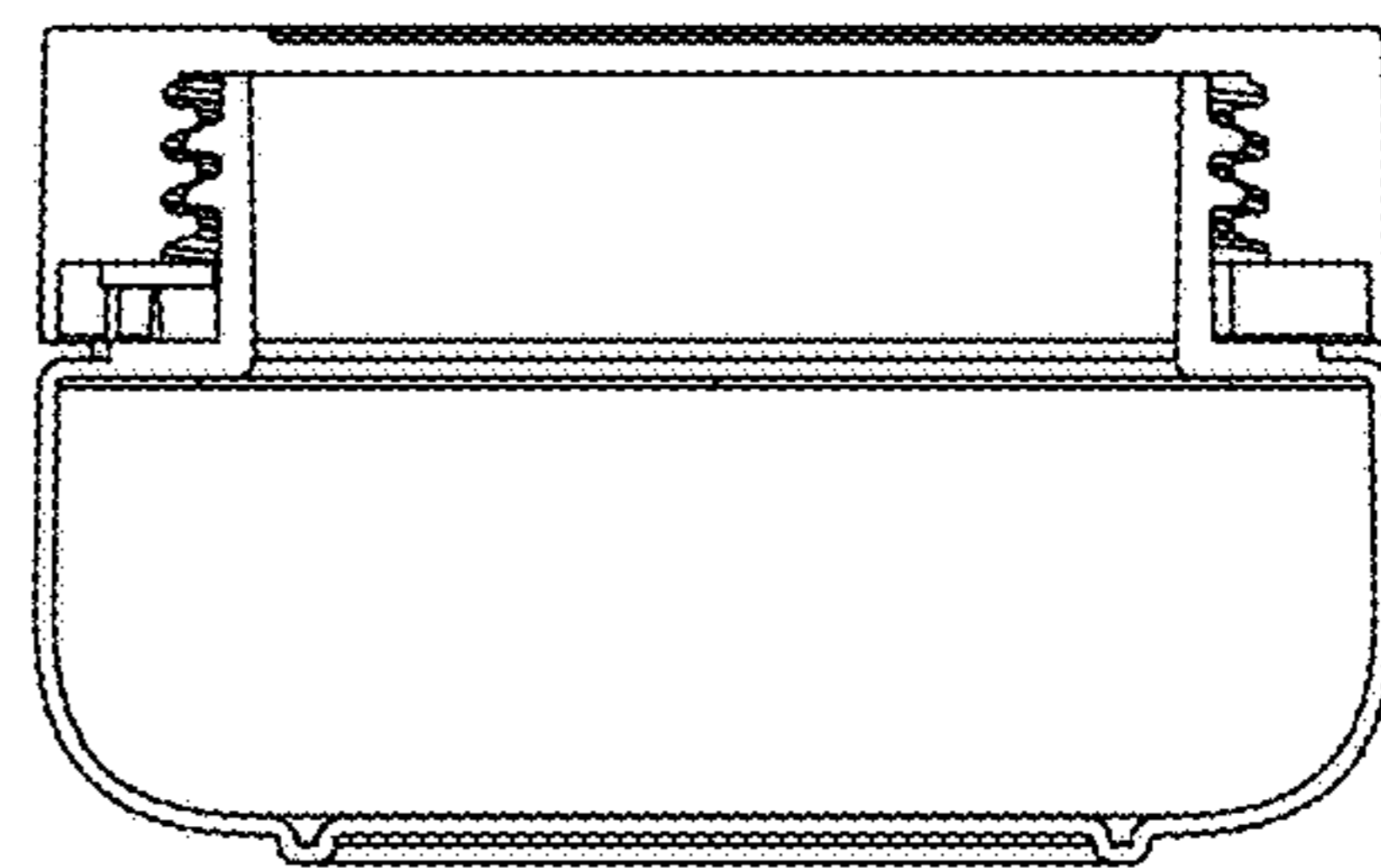


Fig. 4

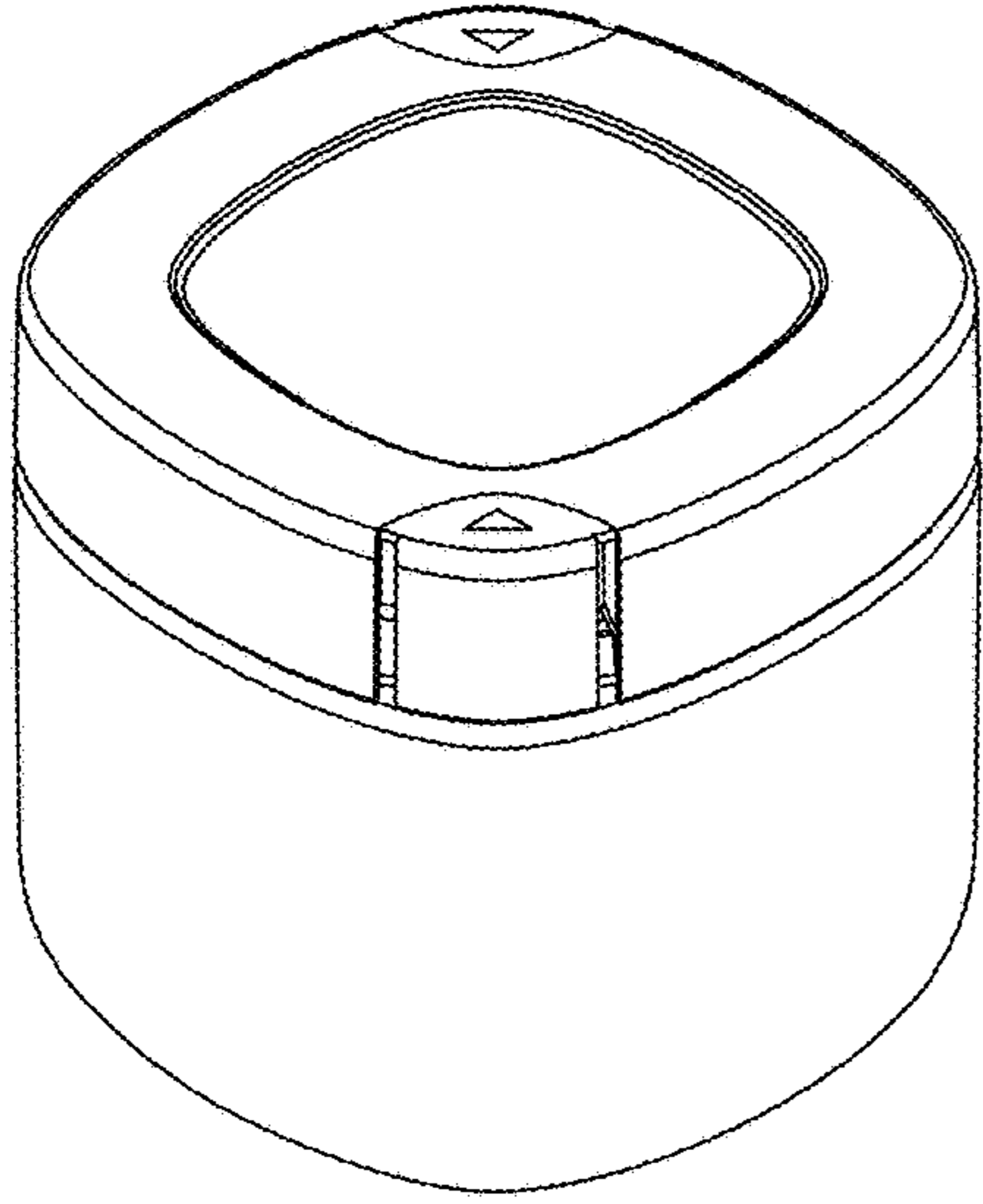


Fig. 5

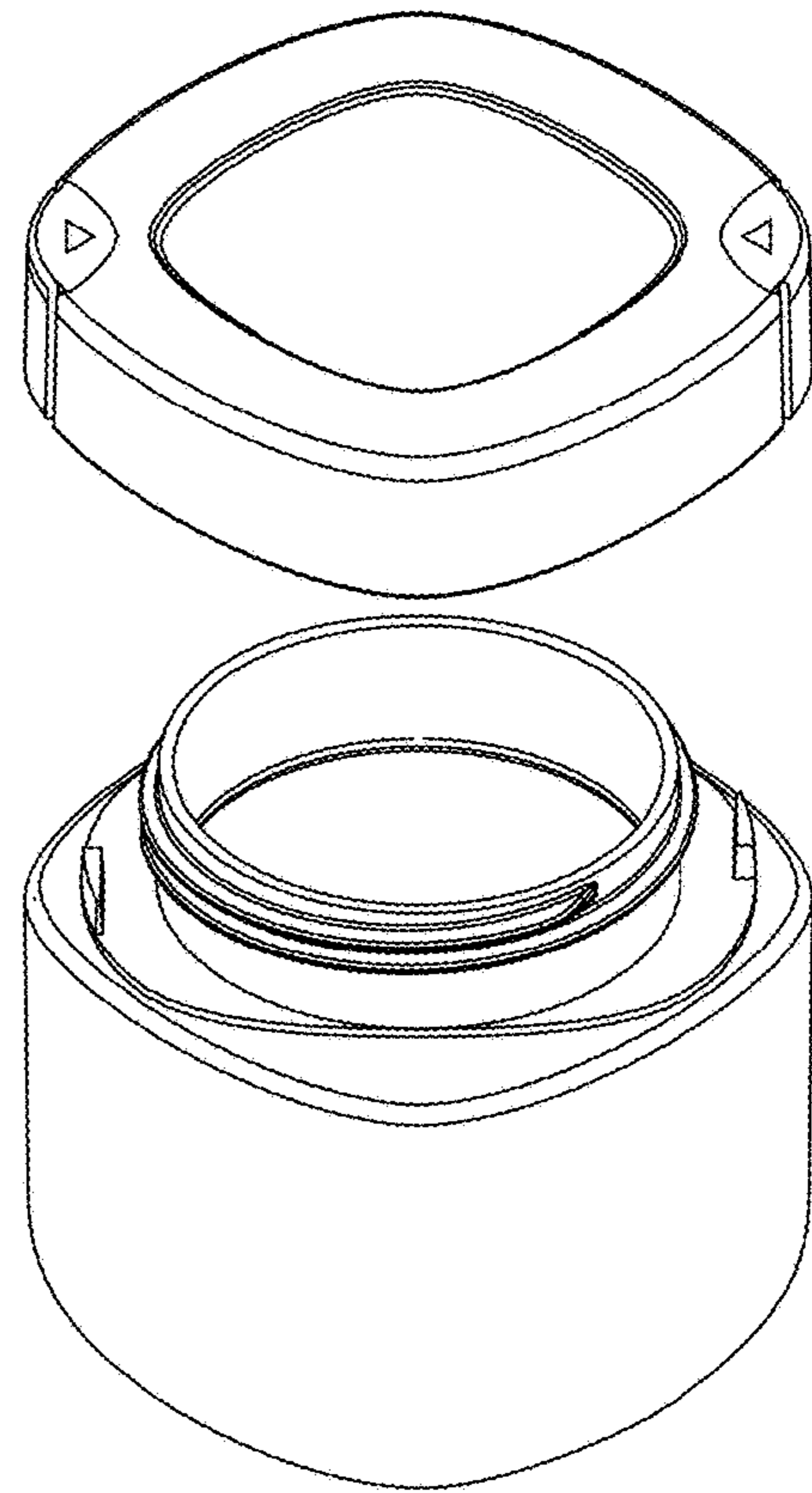


Fig. 6

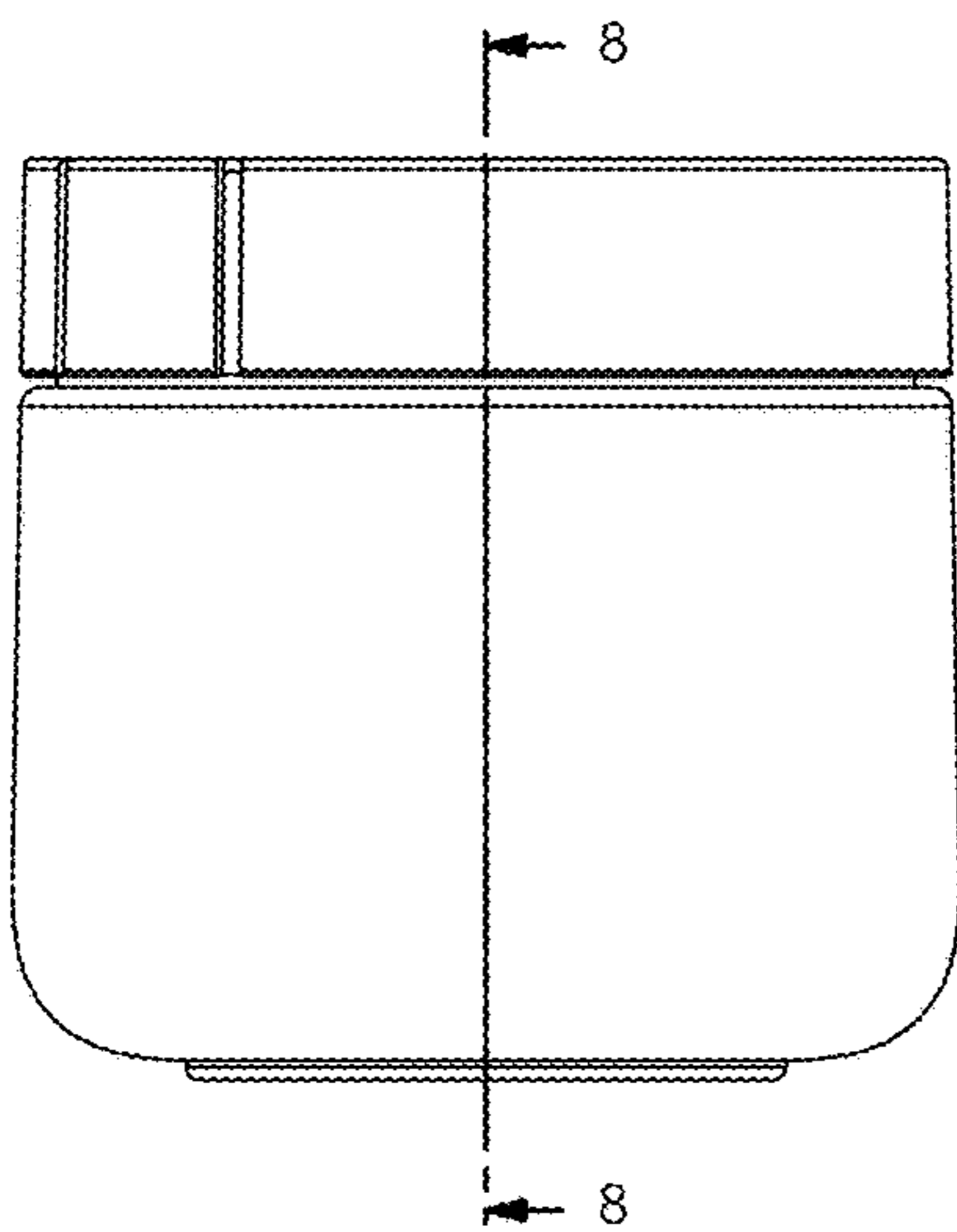


Fig. 7

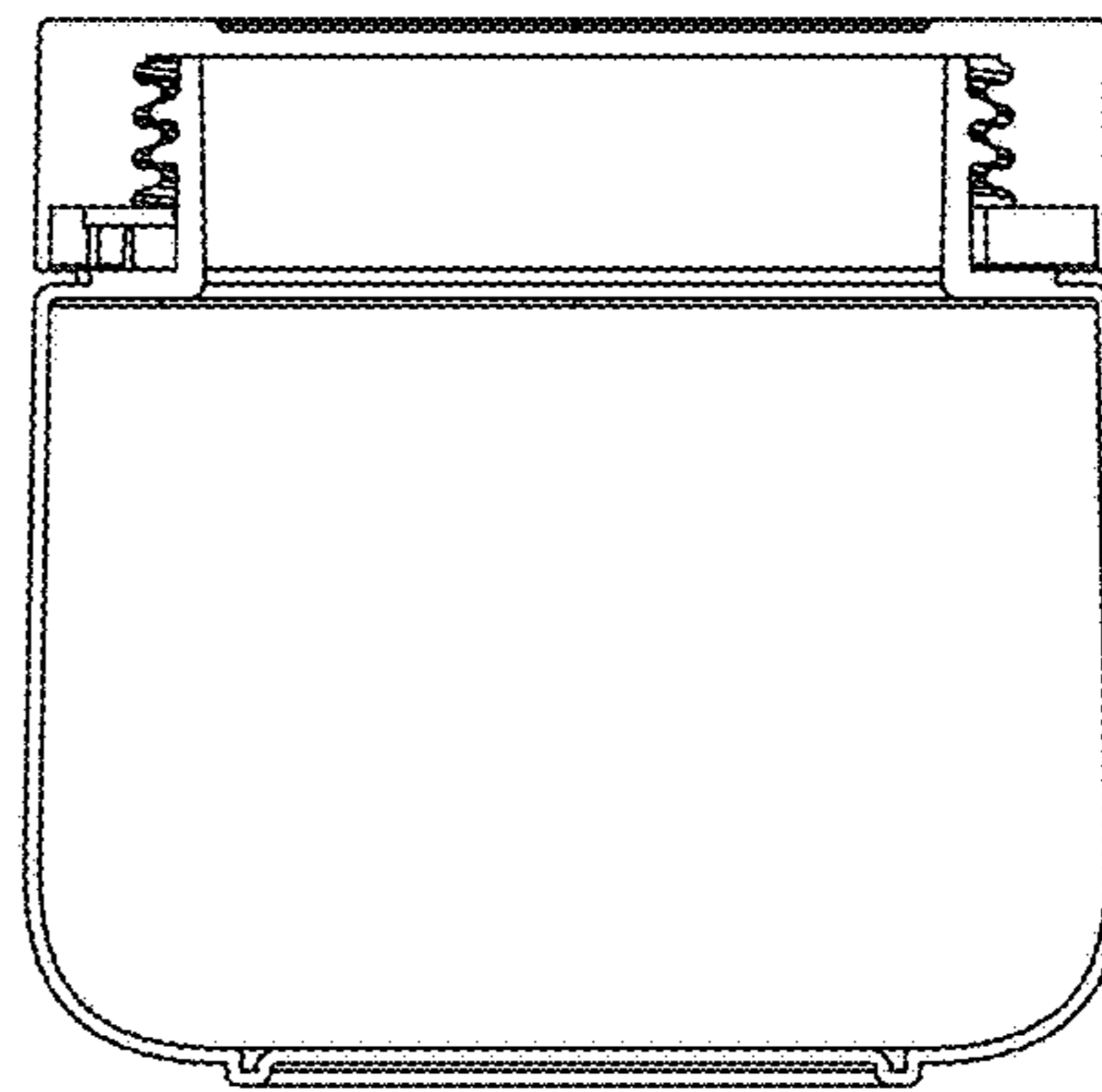


Fig. 8

Fig. 9

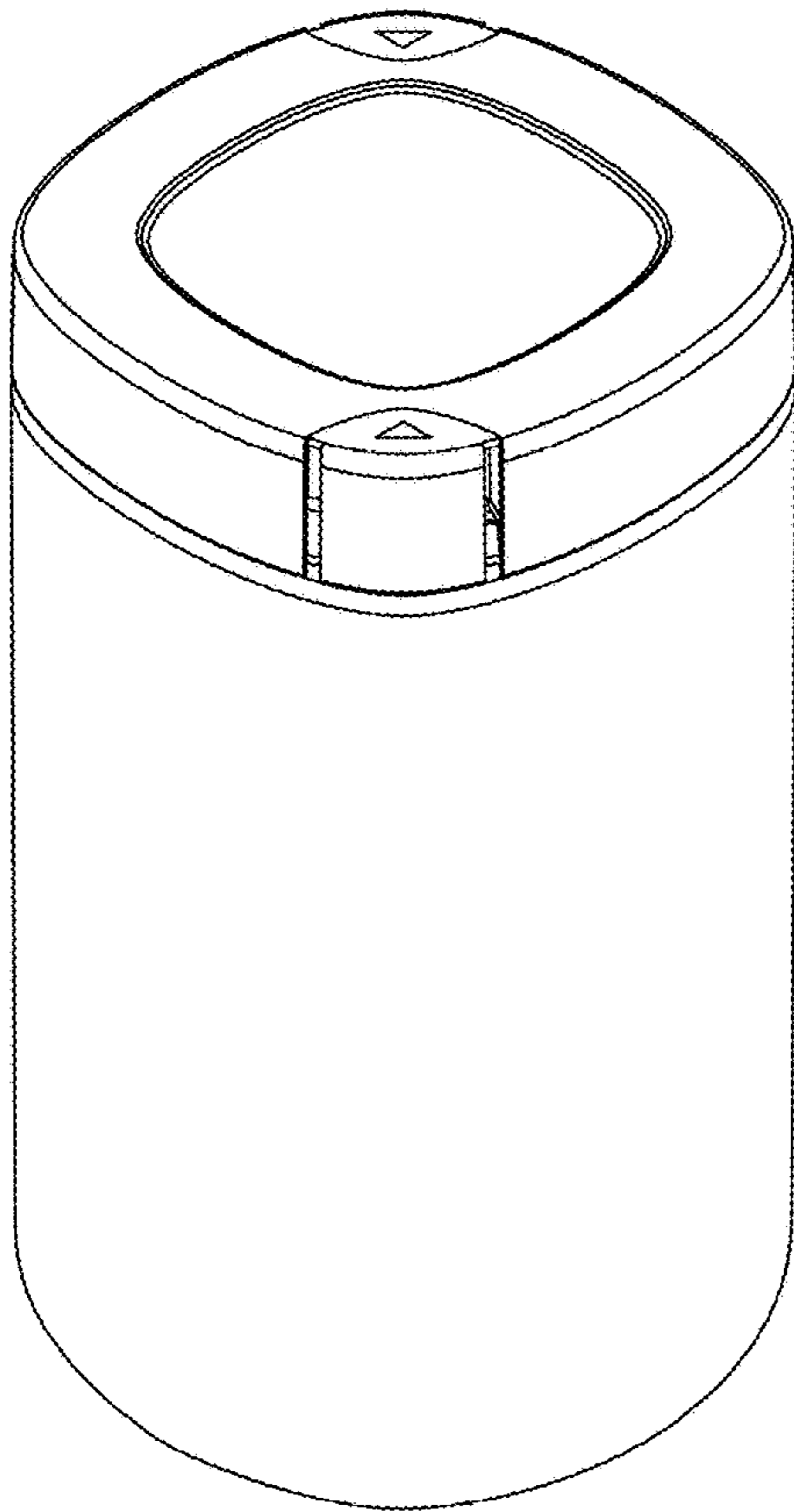


Fig. 10

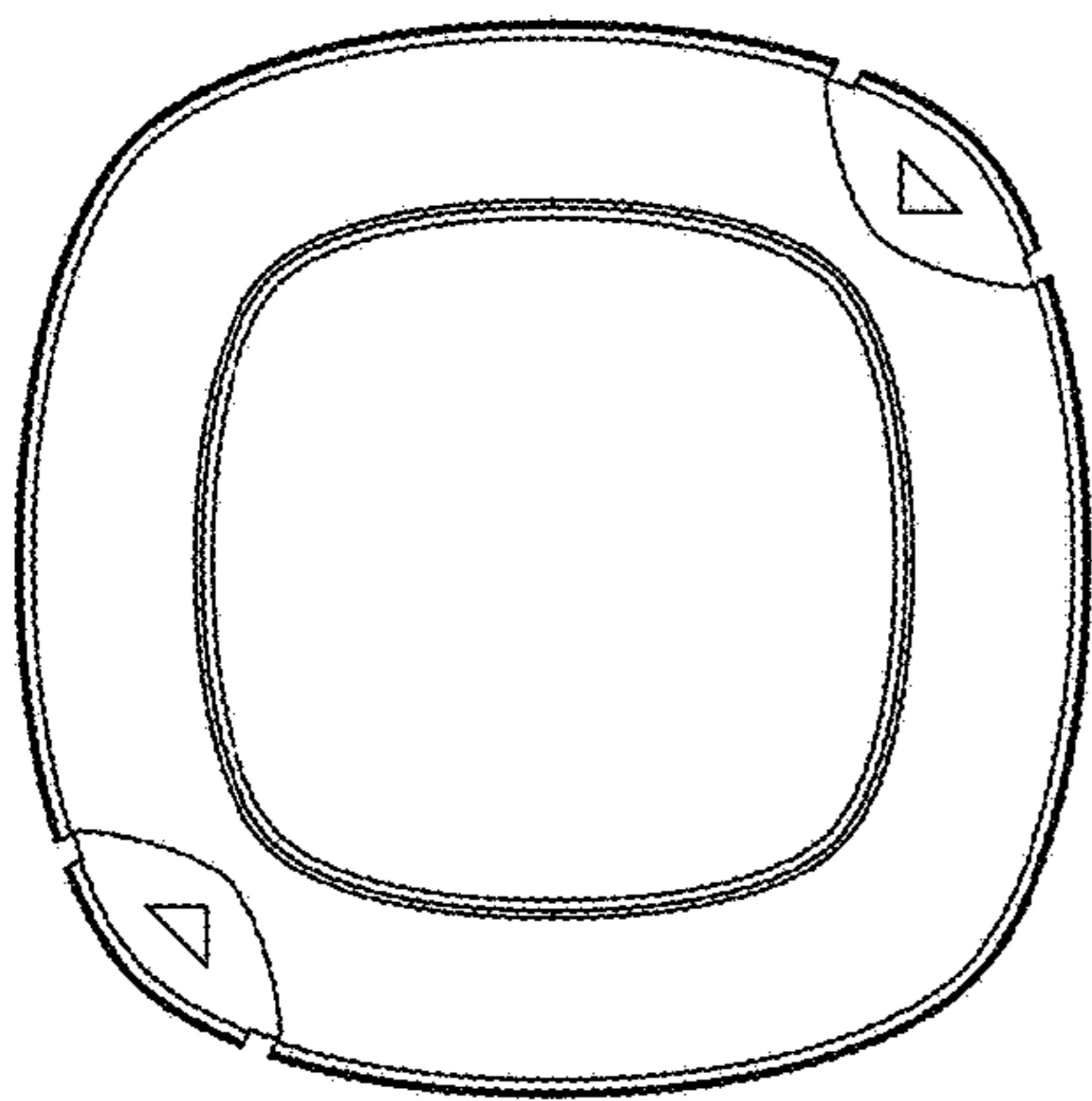
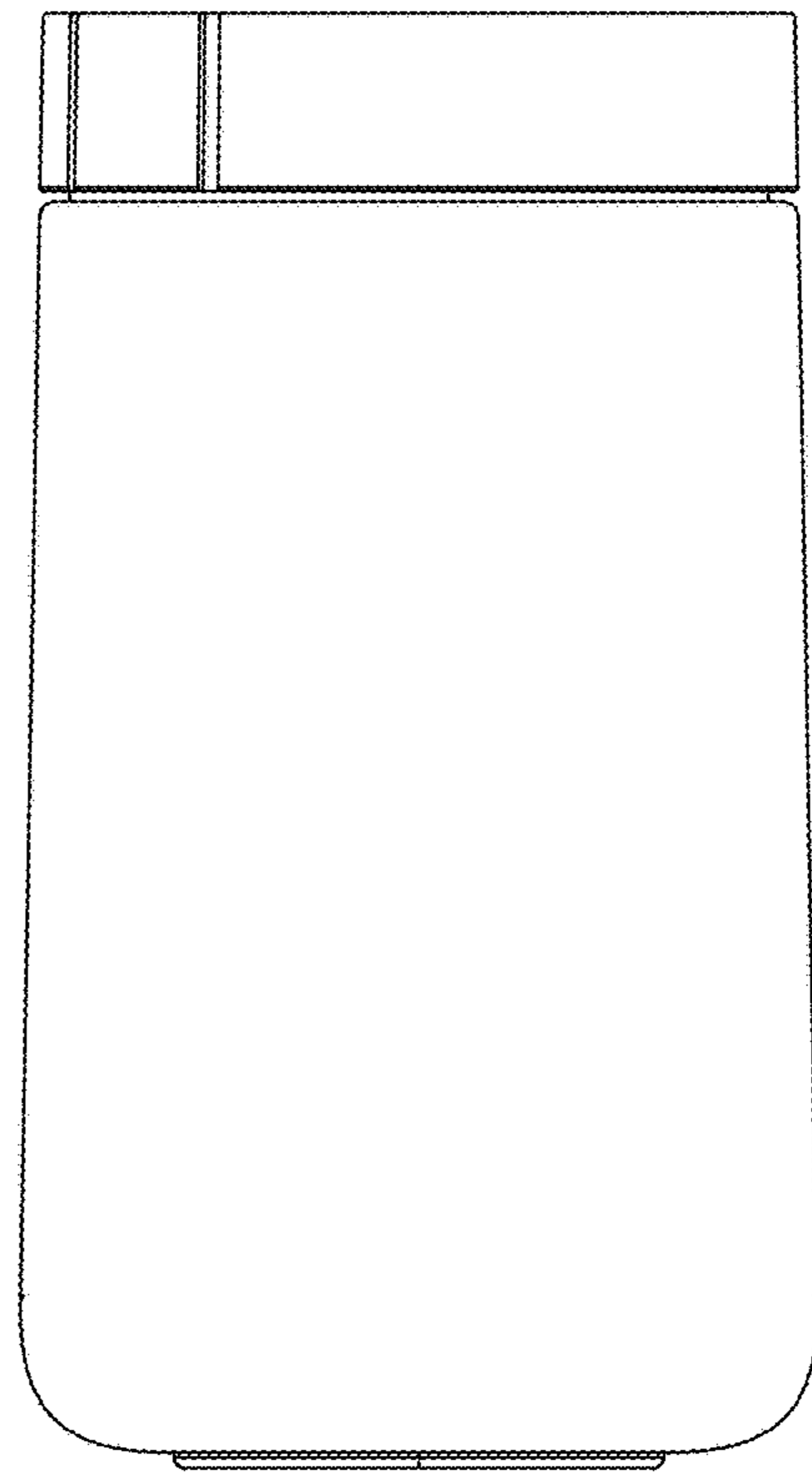


Fig. 11

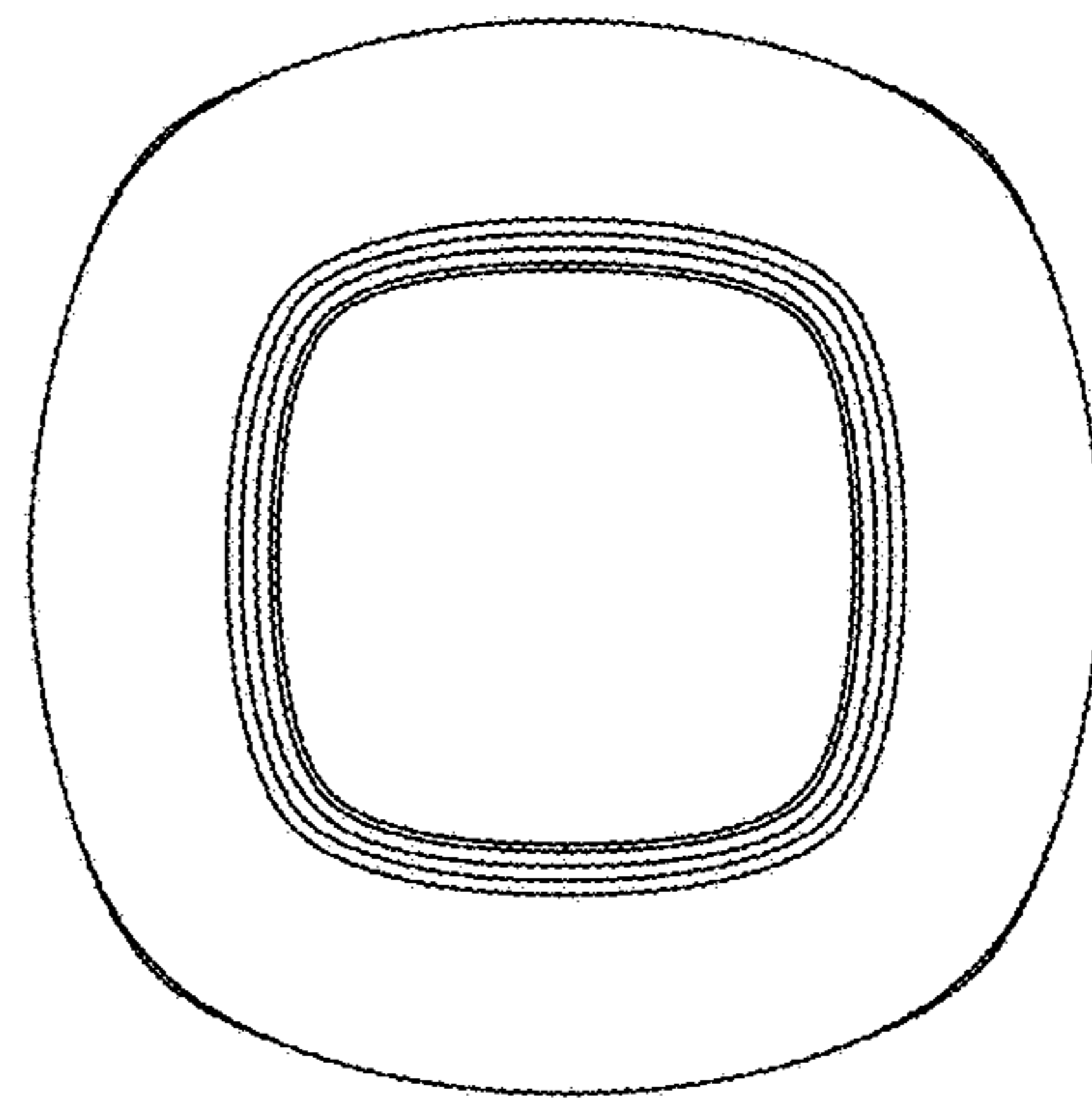


Fig. 12

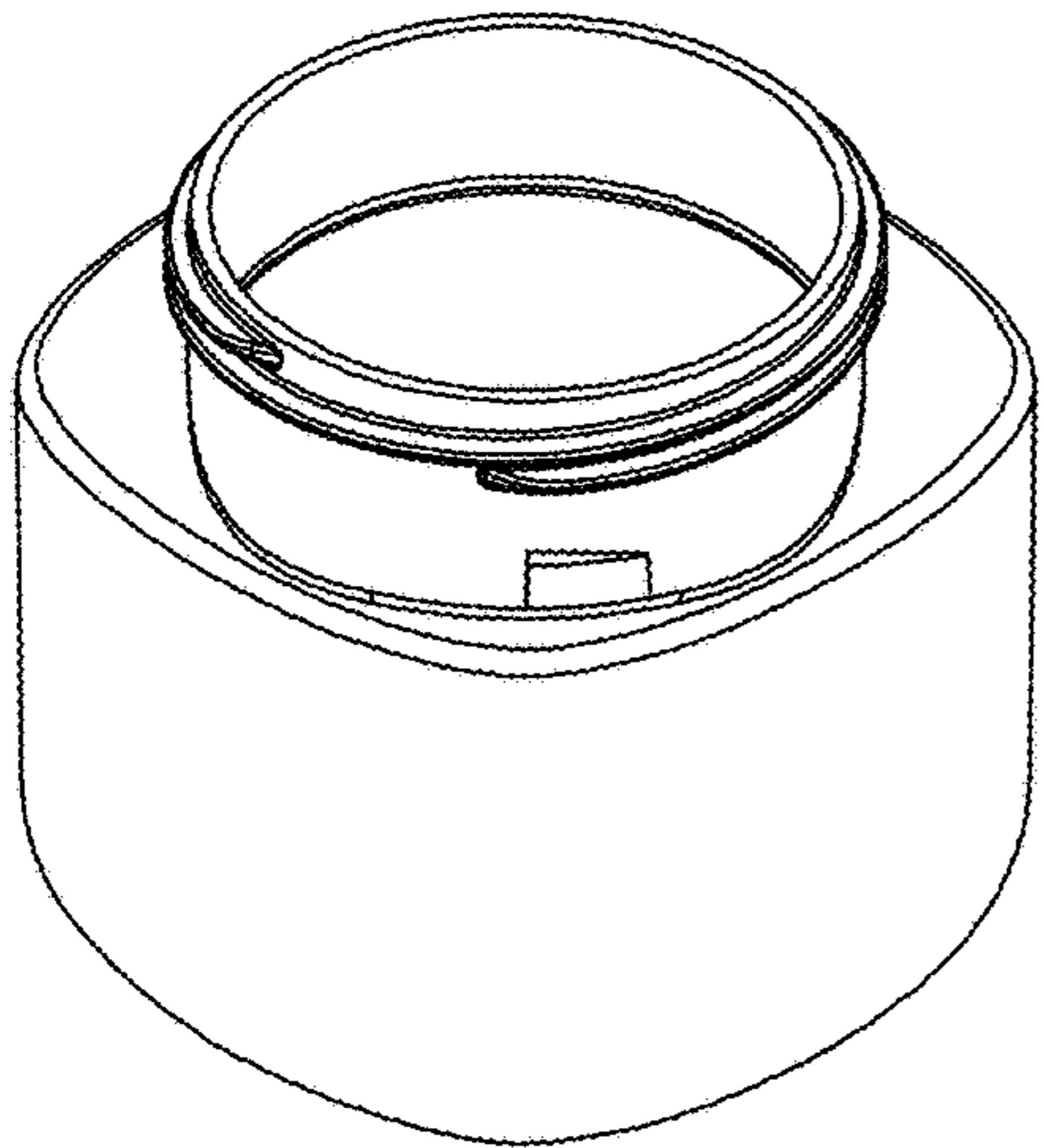


Fig. 13

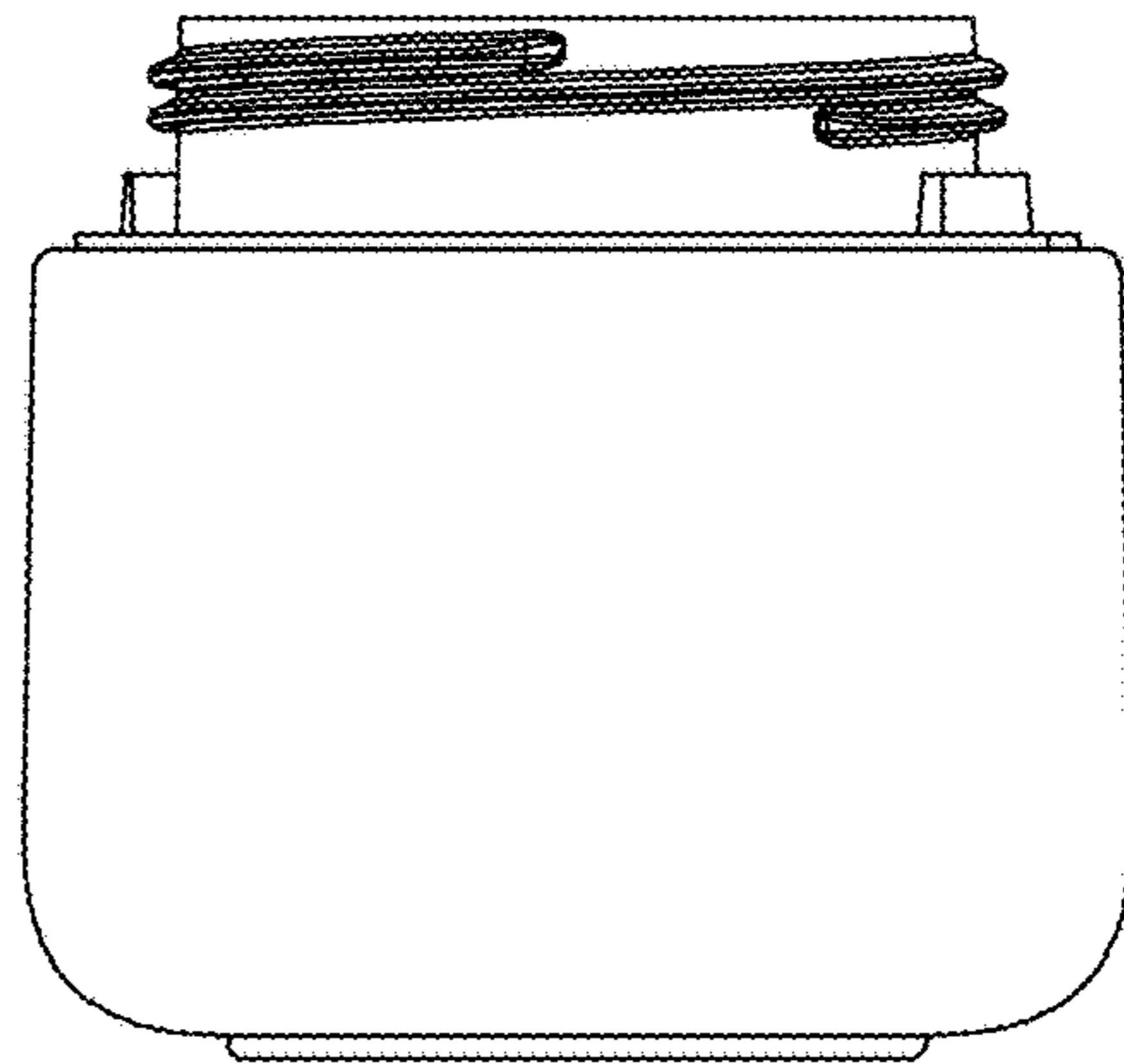


Fig. 14

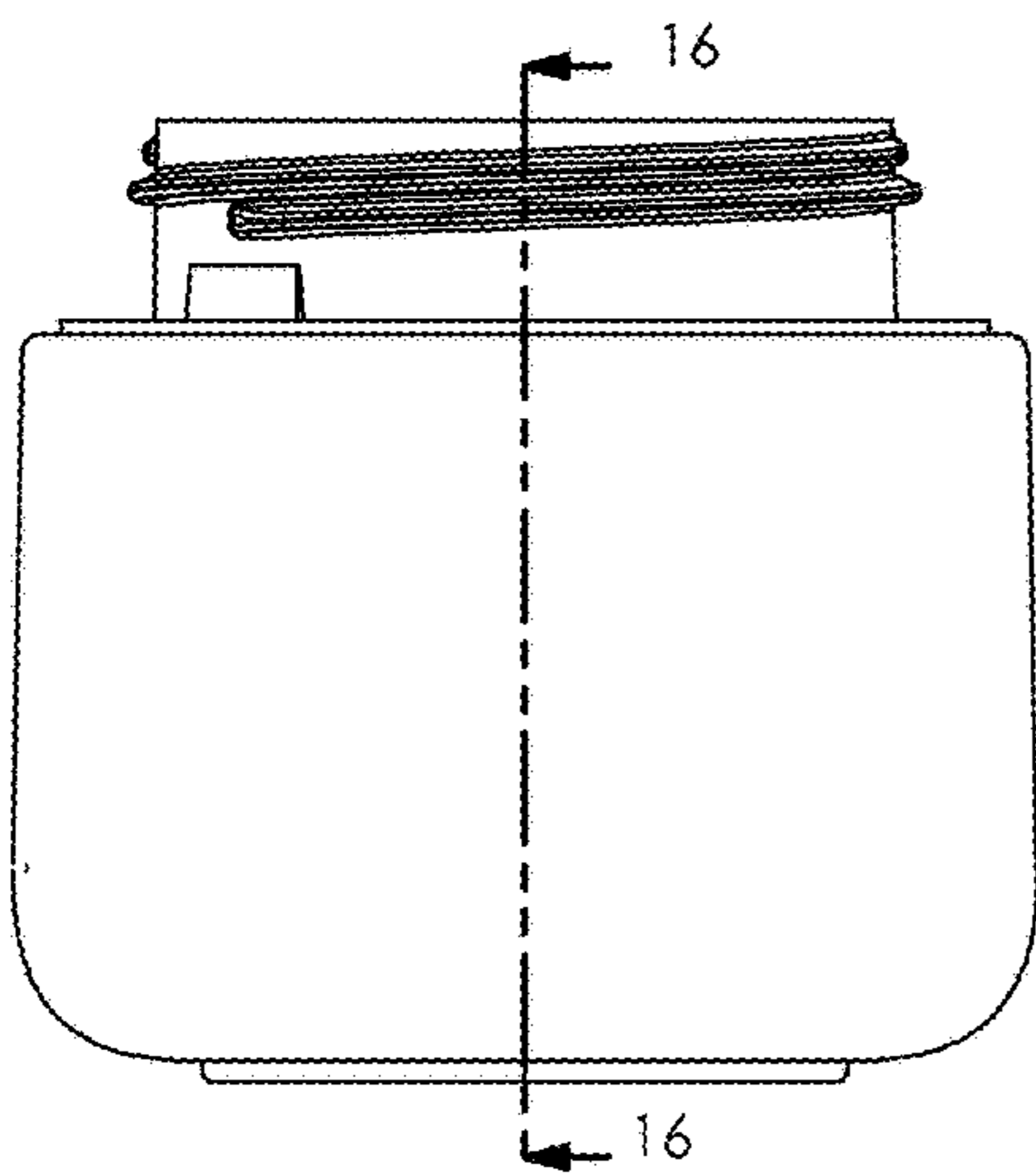


Fig. 15

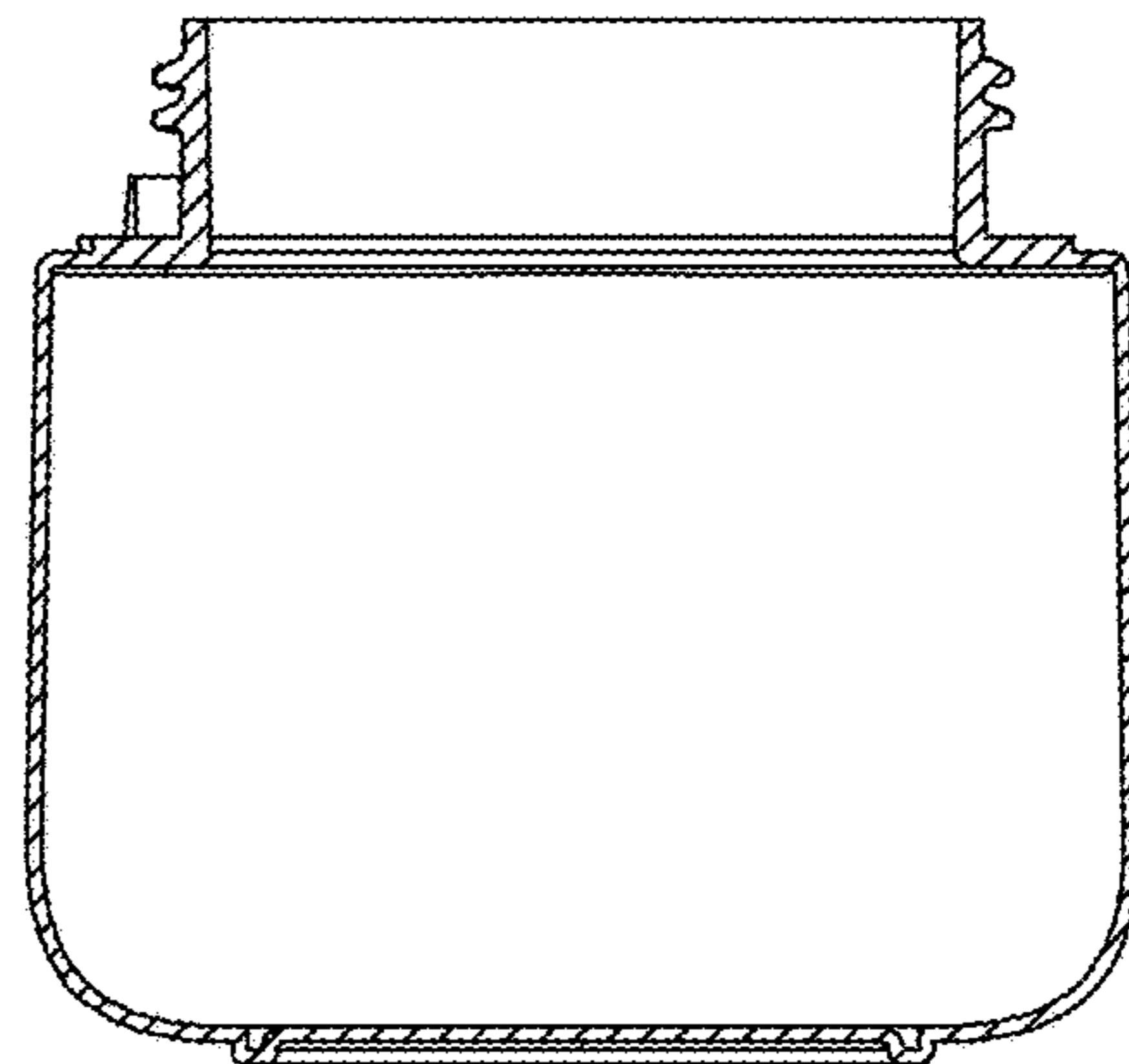


Fig. 16

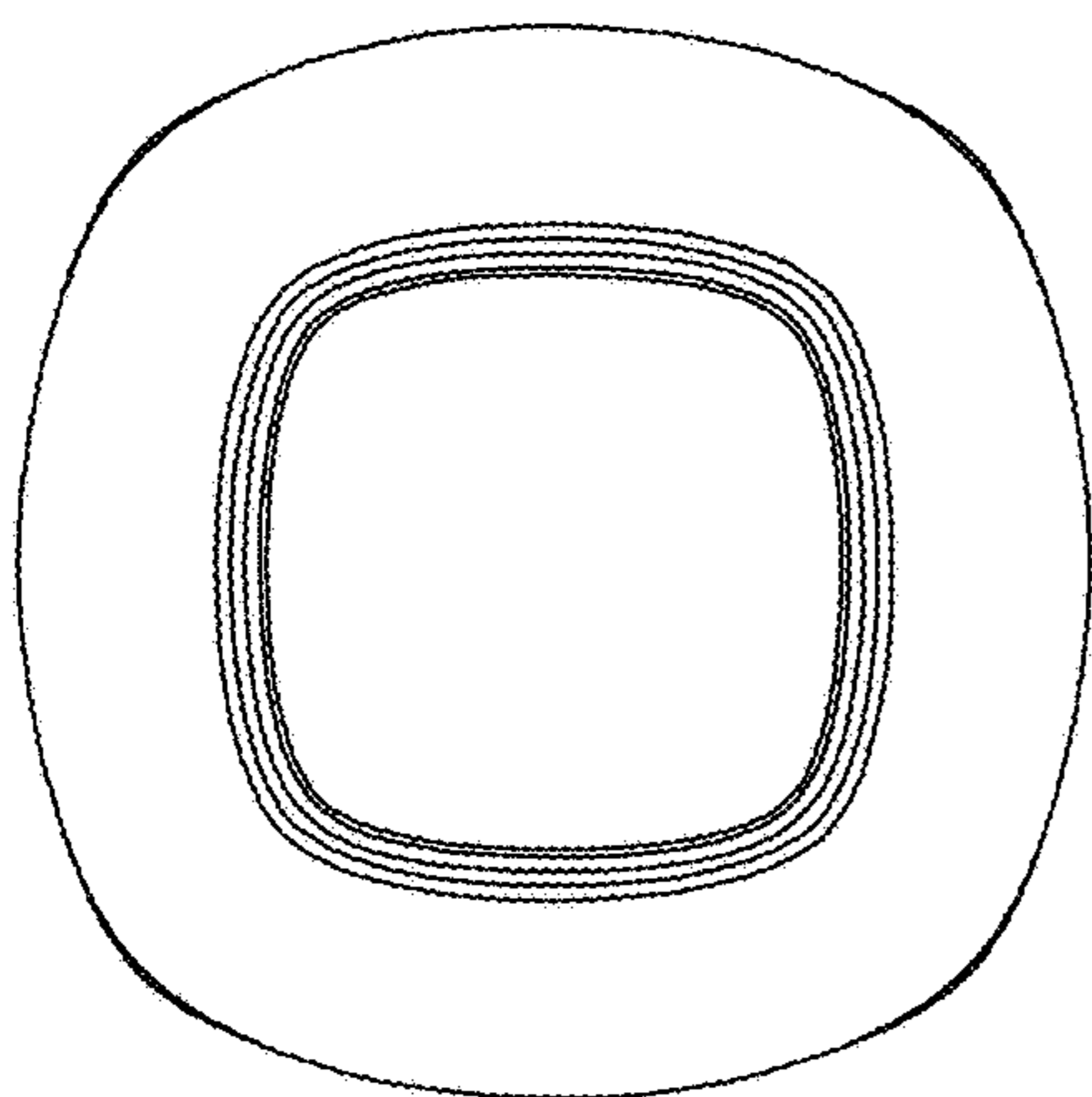


Fig. 17

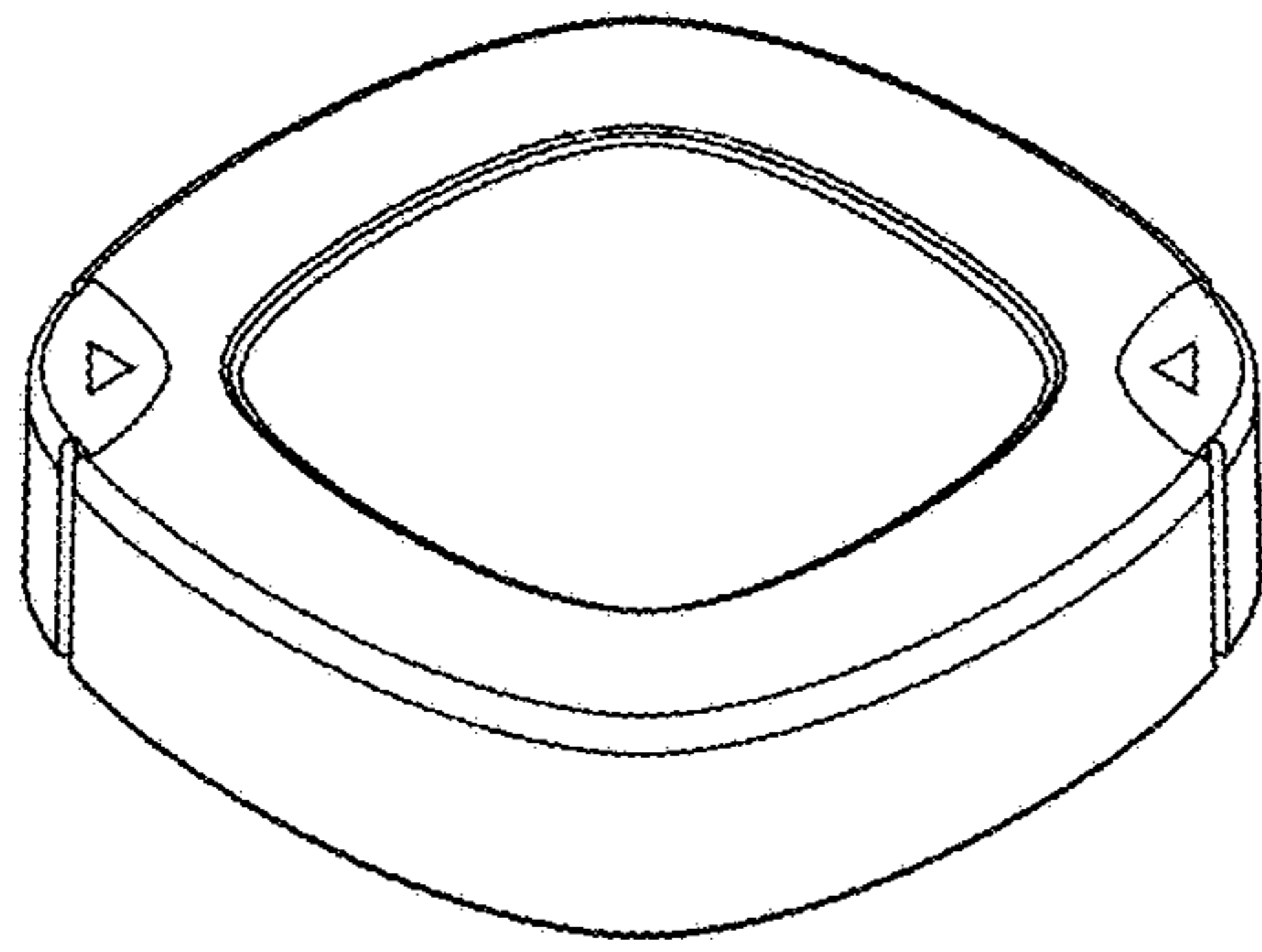


Fig. 18

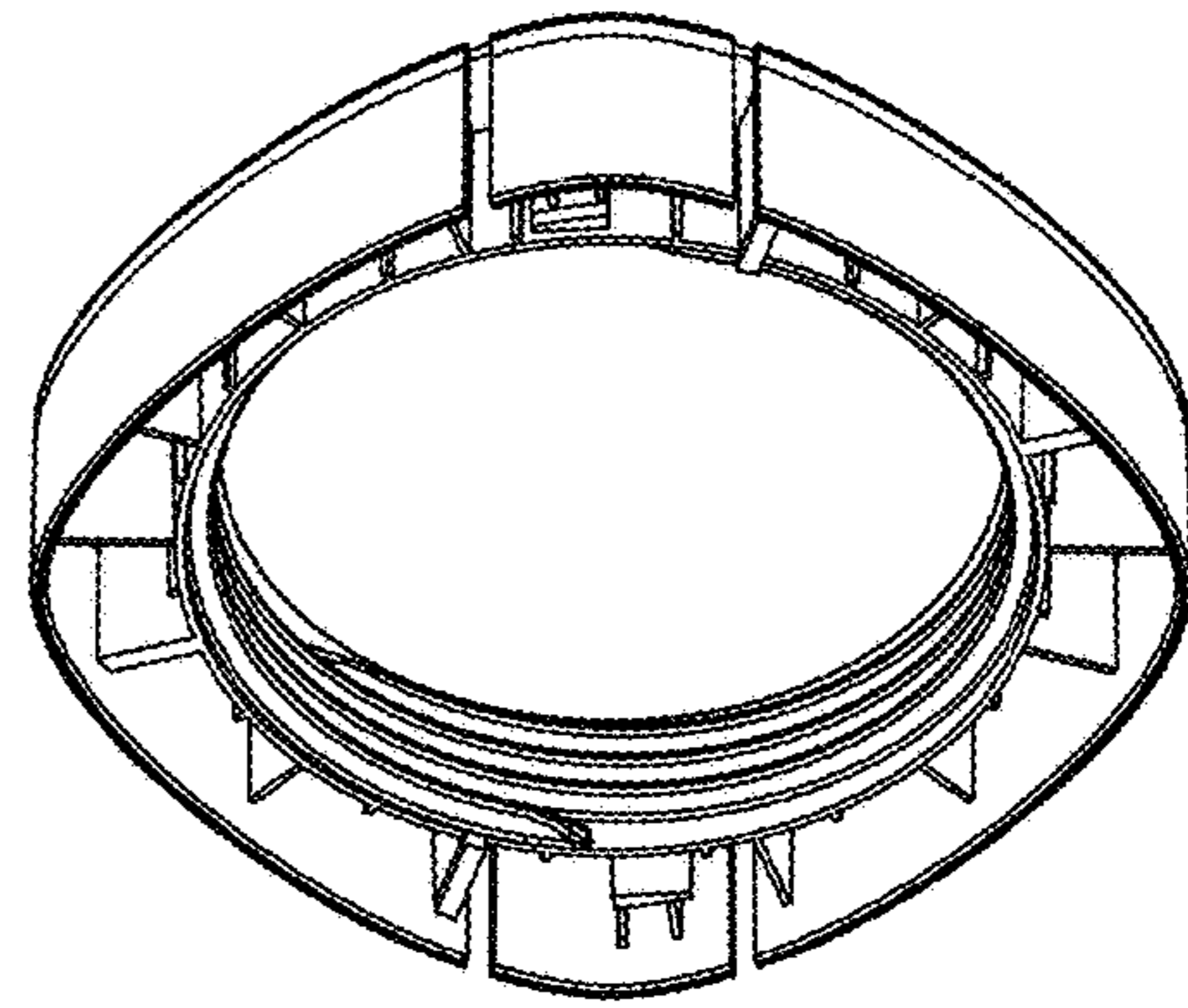


Fig. 19

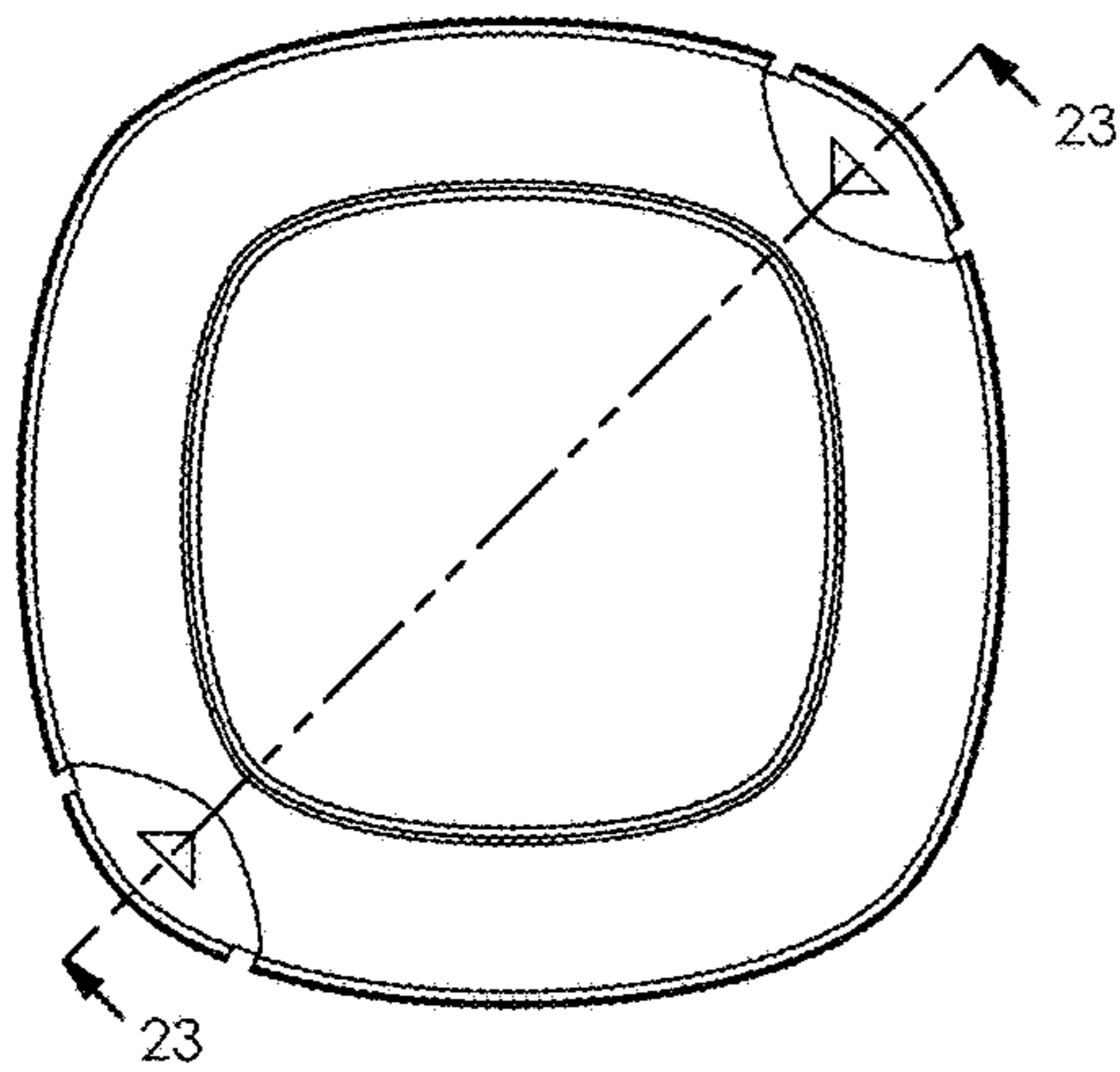


Fig. 20

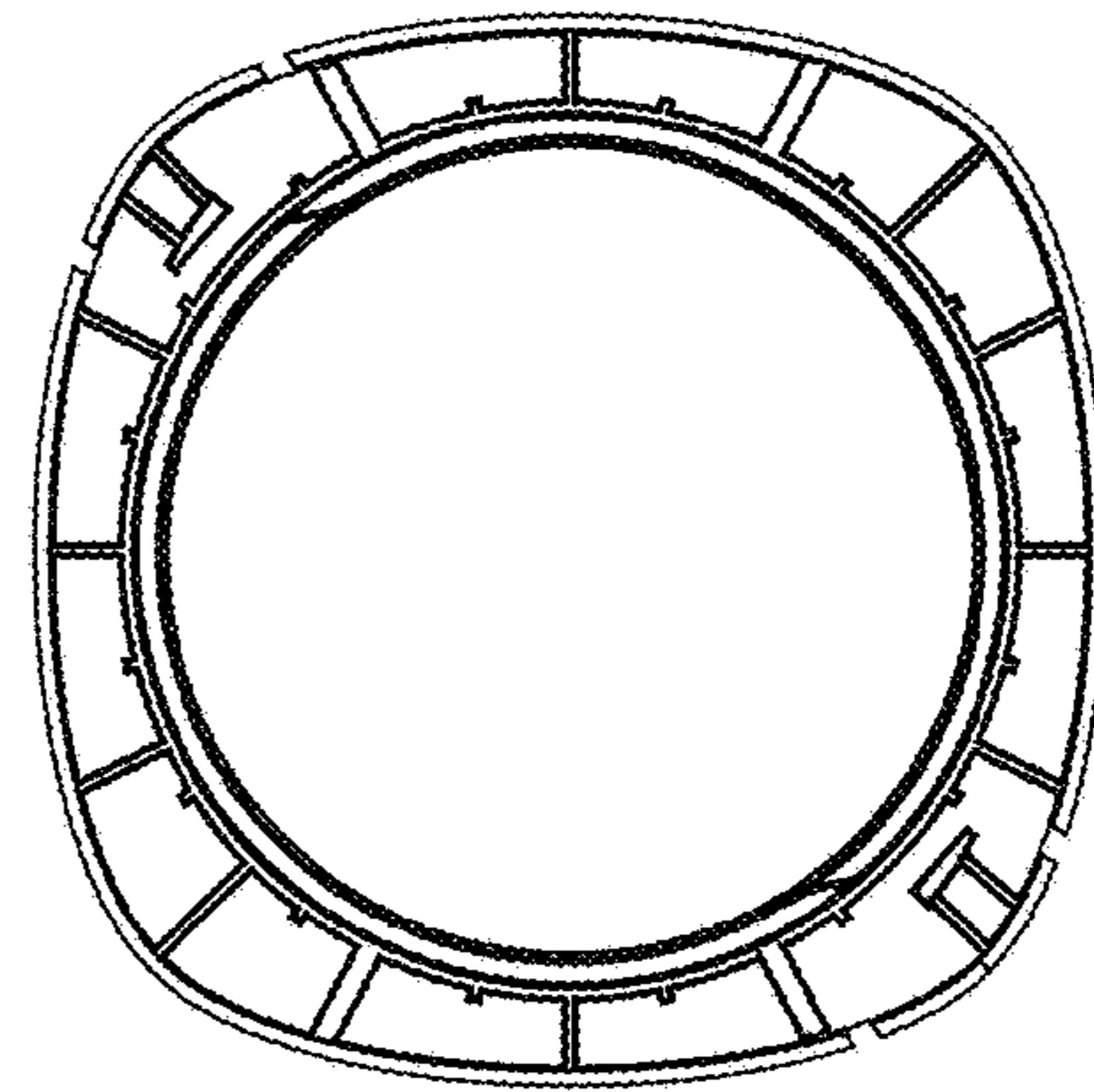


Fig. 21



Fig. 22

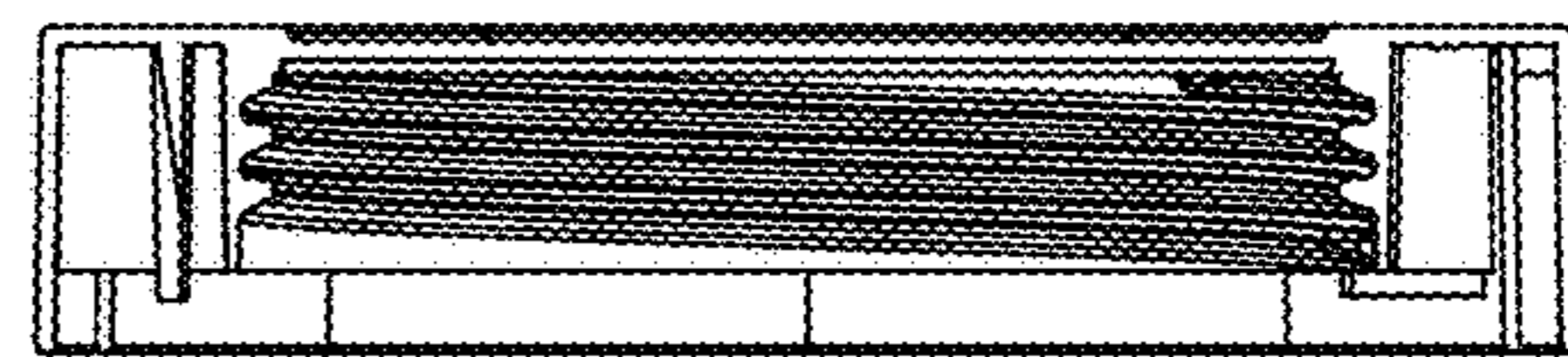


Fig. 23