



US00D787893S

(12) **United States Design Patent** (10) **Patent No.:** **US D787,893 S**  
**Seiders et al.** (45) **Date of Patent:** **\*\* May 30, 2017**

(54) **JUG**

FOREIGN PATENT DOCUMENTS

(71) Applicant: **YETI Coolers, LLC**, Austin, TX (US)

CN 301110494 1/2010  
CN 303528321 12/2015

(72) Inventors: **Roy Joseph Seiders**, Austin, TX (US);  
**John Alan Tolman**, Austin, TX (US);  
**Steve Nichols**, Austin, TX (US)

(Continued)

(73) Assignee: **YETI Coolers, LLC**, Austin, TX (US)

Liquid Hardware, Insulated Aqua Silver Sidewinder Vacuum Bottle 20oz./592ml. Powder Coated in USA?, product description, retrieved from internet on Aug. 12, 2015, 3 pages.

(\*\*) Term: **15 Years**

(Continued)

(21) Appl. No.: **29/546,291**

*Primary Examiner* — Freda S Nunn

(22) Filed: **Nov. 20, 2015**

(74) *Attorney, Agent, or Firm* — Banner & Witcoff, Ltd.

(51) **LOC (10) Cl.** ..... **07-01**

(52) **U.S. Cl.**

USPC ..... **D7/608**

(57) **CLAIM**

(58) **Field of Classification Search**

USPC ..... D7/392.1, 510, 511, 608, 312-314, 317,  
D7/318; D9/447, 449, 504

CPC .... B65D 25/28; B65D 25/42; B65D 41/0414;  
B65D 41/0485; B65D 41/62; B65D

43/26; B65D 43/02; B65D 43/163; B65D

47/08; B65D 51/18; B65D 47/066; B65D

2251/00046; B65D 2251/0081; B65D

47/0814; B65D 47/0838; B65D 47/0861;

A47G 19/2266; A47G 19/2272

See application file for complete search history.

The ornamental design for a jug, as shown and described.

**DESCRIPTION**

FIG. 1 is a top, front, left perspective view of a jug showing our new design;

FIG. 2 is a front view thereof;

FIG. 3 is a rear view thereof;

FIG. 4 is a right side view thereof;

FIG. 5 is a left side view thereof;

FIG. 6 is a top view thereof; and,

FIG. 7 is a bottom view thereof.

The short-dash-long-dash broken lines shown immediately adjacent to the shaded areas represent the bounds of the claimed design. While the pairs of adjacent, spaced, jagged, broken lines are shown broken away to disclose indeterminate length, and the portions of the design that may be visible between the jagged lines have been removed for clarity. Further, the dash-dash broken lines are directed to environment only; none of the broken lines form a part of the claimed design.

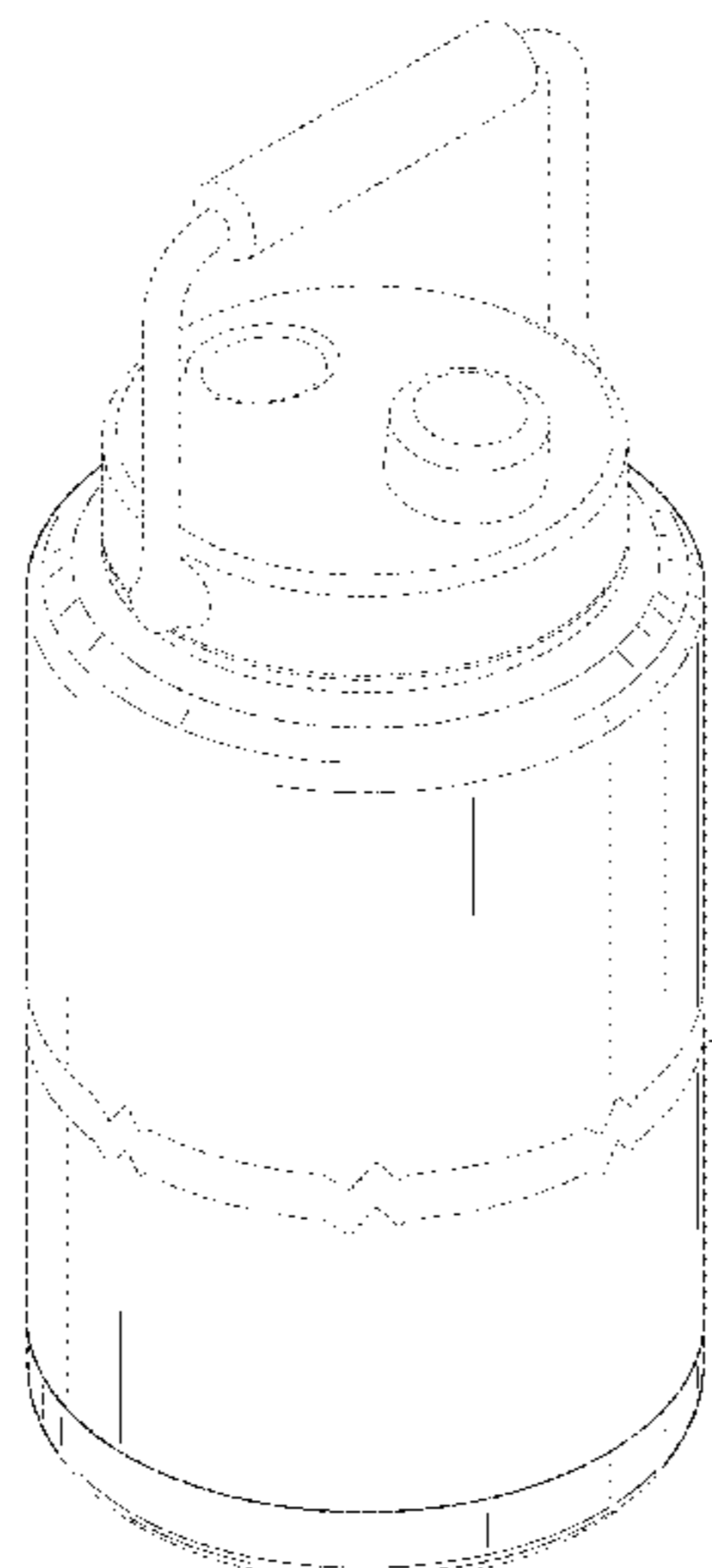
(56) **References Cited**

U.S. PATENT DOCUMENTS

1,477,936 A 12/1923 Bott  
D109,331 S 4/1938 McManus et al.  
D154,378 S 7/1949 Fuller  
D177,761 S 5/1956 Reinhardt  
2,963,187 A 12/1960 Bramming  
3,089,603 A 5/1963 Laurance Leslie-Smith  
3,239,090 A 3/1966 Bramming  
D224,646 S 8/1972 Vollquartz  
3,752,347 A 8/1973 Bell  
D235,303 S 6/1975 Boucher

(Continued)

**1 Claim, 6 Drawing Sheets**



(56)

References Cited

U.S. PATENT DOCUMENTS

D248,373 S \* 7/1978 Allen ..... D7/511  
 D256,651 S 9/1980 Leung et al.  
 D279,346 S 6/1985 Ruxton  
 D281,567 S 12/1985 Zimmermann  
 D286,604 S 11/1986 Bierlein et al.  
 D286,847 S 11/1986 Zimmermann  
 D287,211 S 12/1986 Weiss  
 D321,628 S 11/1991 Kobayashi et al.  
 D332,379 S 1/1993 Murphy  
 5,232,112 A 8/1993 Howard  
 D354,915 S 1/1995 Schneider et al.  
 D368,224 S 3/1996 Arndt  
 D398,193 S 9/1998 Sanchez  
 D405,650 S 2/1999 Meier  
 D415,395 S 10/1999 Hunt et al.  
 D422,916 S 4/2000 Herrmann  
 6,264,072 B1 7/2001 Johannes  
 6,332,557 B1 12/2001 Moran  
 D456,669 S 5/2002 Munari  
 D458,133 S 6/2002 Berish et al.  
 D458,134 S 6/2002 Berish et al.  
 D466,814 S 12/2002 Hurlburt  
 D479,800 S 9/2003 McRae  
 D482,607 S 11/2003 McRae  
 D494,425 S 8/2004 Segura  
 D524,909 S 7/2006 Bakke et al.  
 D525,518 S 7/2006 Baldwin  
 D530,141 S \* 10/2006 Wilgus ..... D7/313  
 D536,929 S 2/2007 Kingsley  
 D548,082 S 8/2007 Kingsley  
 D549,444 S \* 8/2007 Schnackenberg ..... D3/202  
 7,270,244 B1 9/2007 Liu  
 D553,914 S 10/2007 Wahl  
 D554,000 S 10/2007 Walsh  
 D564,363 S 3/2008 Rhea  
 D572,585 S 7/2008 Perrin et al.  
 D584,623 S 1/2009 Chupak  
 D587,533 S 3/2009 Carreno  
 D601,436 S 10/2009 Stephens et al.  
 D603,331 S 11/2009 Schupp  
 D603,722 S 11/2009 Reimer  
 D604,181 S 11/2009 Reimer  
 D604,561 S 11/2009 Chisholm  
 D605,040 S 12/2009 Fry et al.  
 D605,060 S 12/2009 Reimer  
 D611,346 S 3/2010 Camomile  
 D612,235 S 3/2010 Cresswell et al.  
 D614,918 S 5/2010 Chisholm  
 D615,360 S 5/2010 Joy et al.  
 D615,816 S 5/2010 Joy et al.  
 D616,703 S 6/2010 Joy et al.  
 D616,743 S 6/2010 Cresswell et al.  
 D616,744 S 6/2010 Cresswell et al.  
 D619,457 S 7/2010 Walsh  
 D619,458 S 7/2010 Walsh  
 D619,459 S 7/2010 Walsh  
 D620,798 S 8/2010 Cresswell et al.  
 D621,257 S 8/2010 Gullickson et al.  
 D621,258 S 8/2010 Gullickson et al.  
 D622,089 S 8/2010 Daniel et al.  
 D622,145 S 8/2010 Walsh  
 D623,475 S 9/2010 Aarnoudse et al.  
 D625,560 S 10/2010 Olson et al.  
 D626,414 S 11/2010 Cresswell et al.  
 D626,416 S 11/2010 Cresswell et al.  
 D627,601 S 11/2010 Eyal  
 D627,602 S 11/2010 Eyal  
 D627,604 S 11/2010 Eyal  
 D628,486 S 12/2010 Lane  
 D629,689 S 12/2010 Cresswell et al.  
 D629,690 S 12/2010 Cresswell et al.  
 D629,691 S 12/2010 Cresswell et al.  
 D630,474 S 1/2011 Gilbert  
 D630,475 S 1/2011 Lu  
 D631,666 S 2/2011 Lim et al.

D633,338 S 3/2011 Rosbach et al.  
 D633,794 S 3/2011 Cresswell et al.  
 D633,795 S 3/2011 Cresswell et al.  
 D633,796 S 3/2011 Cresswell et al.  
 D633,797 S 3/2011 Cresswell et al.  
 D635,457 S 4/2011 Lane  
 D635,856 S 4/2011 Lauret  
 D638,695 S 5/2011 Woodrow et al.  
 D638,708 S 5/2011 Walsh  
 D639,164 S 6/2011 Walsh  
 D639,661 S 6/2011 Llerena  
 D639,663 S 6/2011 Llerena  
 D641,591 S 7/2011 Tsukida  
 D643,693 S \* 8/2011 Jama ..... D7/607  
 D651,847 S 1/2012 Gilbert  
 D652,255 S 1/2012 Carland  
 D652,682 S 1/2012 Eyal  
 D654,762 S 2/2012 Gilbert  
 D655,134 S 3/2012 Gilbert  
 D655,581 S 3/2012 Kotani  
 D657,196 S 4/2012 Beyers, III  
 D658,064 S 4/2012 Barnes et al.  
 D658,445 S 5/2012 Carreno  
 D659,007 S 5/2012 Pape  
 D660,084 S 5/2012 Gilbert  
 D662,360 S 6/2012 George  
 8,215,511 B1 7/2012 Lin  
 D664,809 S 8/2012 Eyal  
 D665,621 S 8/2012 Eyal  
 D668,913 S 10/2012 Mayer  
 D671,372 S \* 11/2012 Zou ..... D7/608  
 D672,238 S 12/2012 Aziz et al.  
 D672,609 S 12/2012 Aziz et al.  
 D675,100 S 1/2013 Herbst  
 D676,764 S 2/2013 Moore et al.  
 D678,729 S \* 3/2013 Peeters ..... D7/608  
 D678,772 S 3/2013 Johnson et al.  
 D680,389 S 4/2013 Zemel et al.  
 8,443,993 B1 5/2013 Desselle  
 D684,059 S 6/2013 Johnson et al.  
 D686,078 S 7/2013 Johnson et al.  
 D688,093 S 8/2013 Roth et al.  
 D693,698 S 11/2013 Miller, Jr.  
 D695,138 S 12/2013 Ball  
 D696,945 S 1/2014 Newman  
 D697,404 S 1/2014 Johnson et al.  
 D698,668 S 2/2014 Vaughn  
 D701,464 S 3/2014 Ogata et al.  
 D702,092 S 4/2014 Mettler et al.  
 D702,506 S 4/2014 Mettler et al.  
 D708,954 S 7/2014 Barnes et al.  
 D709,734 S 7/2014 Kotani  
 D712,254 S 9/2014 Geis et al.  
 D712,255 S 9/2014 Geis et al.  
 D713,268 S 9/2014 Jones et al.  
 D713,365 S 9/2014 Green  
 D717,102 S 11/2014 Taketani et al.  
 D724,385 S 3/2015 Hurley et al.  
 D728,315 S 5/2015 Bo  
 D728,995 S 5/2015 Barberi  
 D729,579 S 5/2015 Molayem  
 D729,584 S 5/2015 Weston et al.  
 D732,402 S 6/2015 Jones et al.  
 D734,154 S 7/2015 Johnson et al.  
 D735,578 S 8/2015 Mazurkiewicz et al.  
 D741,655 S 10/2015 Whelan et al.  
 D743,742 S 11/2015 Rummel et al.  
 D744,781 S 12/2015 Rummel et al.  
 D754,472 S 4/2016 Munari  
 2010/0089151 A1 4/2010 Mantilla et al.  
 2011/0186585 A1 8/2011 Lu  
 2012/0199548 A1 8/2012 Kitto  
 2014/0353275 A1 12/2014 Hung  
 2015/0314929 A1 11/2015 Tebbe et al.

FOREIGN PATENT DOCUMENTS

JP 1363566 6/2009  
 JP 1530358 8/2015

(56)

**References Cited**

## FOREIGN PATENT DOCUMENTS

KR	30-0295354	4/2002
KR	300303813.000	8/2002
KR	300751936.0000	7/2014
KR	3007764889.0000	10/2014
WO	D088688-002	1/2016

## OTHER PUBLICATIONS

Nov. 2, 2016 (WO) International Search Report and Written Opinion—App. No. PCT/US2016/047043—12 pages.

English translation of Office Action issued on Oct. 18, 2016 for JP Application No. 2016-010799, 3 pages.

English translation of Office Action issued on Oct. 18, 2016 for JP Application No. 2016-010800, 3 pages.

Yeti 36 oz. Rambler: Announced Jan. 11, 2016 [online], site visited [May 10, 2016]. Available from Internet URL: <http://yeticoolers.com/rambler-bottle-36-oz/>.

Kold Vacuum Insulated Stainless Steel Sports Bottle: Announced Dec. 8, 2015 [online], site visited [May 11, 2016]. Available from Internet URL: <http://www.amazon.com/KOLD-Sports-Water-Bottles-Insulated/dp/B018YH K79E1 ref=cm>.

“Hydro Flask Insulated Stainless Steel Water Bottle” published on Dec. 29, 2014, retrieved from [http://web.archive.org/web/\\*/https://www.amazon.com/dp/B004X55L91/ref=twister\\_B00GA03LG47\\_encoding=UTF88,psc=1](http://web.archive.org/web/*/https://www.amazon.com/dp/B004X55L91/ref=twister_B00GA03LG47_encoding=UTF88,psc=1) on Sep. 22, 2016.

“UA Beyond 18 oz. Vacuum Insulated Water Bottle” published on Mar. 29, 2015, retrieved from [http://web.archive.org/web/\\*/https://](http://web.archive.org/web/*/https://)

[www.underarmour.com/en-us/beyond-18-oz-vacuum-insulated-ss-bottle-with-flip-top-lid/pid1232014](http://www.underarmour.com/en-us/beyond-18-oz-vacuum-insulated-ss-bottle-with-flip-top-lid/pid1232014) on Sep. 22, 2016.

“Klean Kanteen Insulated Classic with Polypropylene” published on Jul. 7, 2015, retrieved from [http://web.archive.org/web/\\*/https://www.lifewithoutplastic.com/store/klean-kanteen-insulated-classic-with-polypropylene-loop-cap-0-95-I-32-oz.html](http://web.archive.org/web/*/https://www.lifewithoutplastic.com/store/klean-kanteen-insulated-classic-with-polypropylene-loop-cap-0-95-I-32-oz.html) on Sep. 22, 2016.

“Eco Vessel 64 ounce Growler” published on Jan. 28, 2015, retrieved from [http://web.archive.org/web/\\*/http://www.snewsnet.com/press-release/eco-vessel-launches-the-boss-insulated-growler/](http://web.archive.org/web/*/http://www.snewsnet.com/press-release/eco-vessel-launches-the-boss-insulated-growler/) on Sep. 22, 2016.

“60 oz Double-Wall Vacuum-Insulated Growler” published on Nov. 14, 2014, retrieved from [https://web.archive.org/web/\\*/http://www.fiftyfiftybottles.com/64oz-growler/](https://web.archive.org/web/*/http://www.fiftyfiftybottles.com/64oz-growler/) on Sep. 22, 2016.

“2015 Boulder Insulated Water Bottle with Tea, Fruit, Ice Strainer” published on Jun. 28, 2015, retrieved from [http://web.archive.org/web/\\*/http://www.ecovessel.com/boulder-insulated-water-bottle-with-tea-fruit-ice-strainer-20-oz/](http://web.archive.org/web/*/http://www.ecovessel.com/boulder-insulated-water-bottle-with-tea-fruit-ice-strainer-20-oz/) on Sep. 22.

“KB8 20 oz. Double Wall Stainless Bottle,” published on May 22, 2015, retrieved from <https://web.archive.org/web/20150807054814/http://thermo-steel.com/work/keen-kb8> on Sep. 27, 2016.

English translation of Office Action issued on Nov. 1, 2016 for JP Application No. 2016-9605, 2 pages.

English translation of Office Action issued on Nov. 1, 2016 for JP Application No. 2016-9606, 2 pages.

English translation of Office Action issued on Oct. 4, 2016 for JP Application No. 2016-9607, 2 pages.

English translation of Office Action issued on Oct. 4, 2016 for JP Application No. 2016-9608, 2 pages.

\* cited by examiner

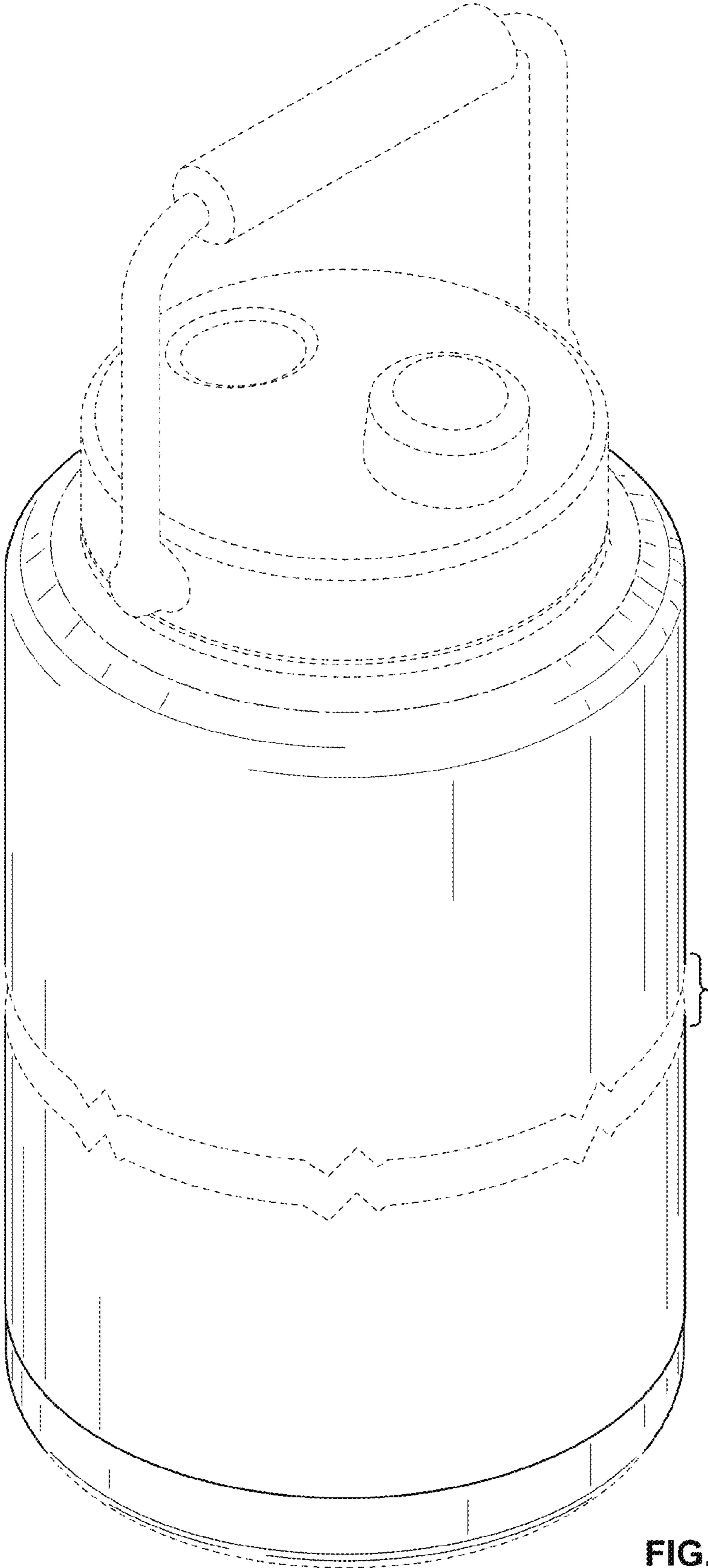


FIG. 1

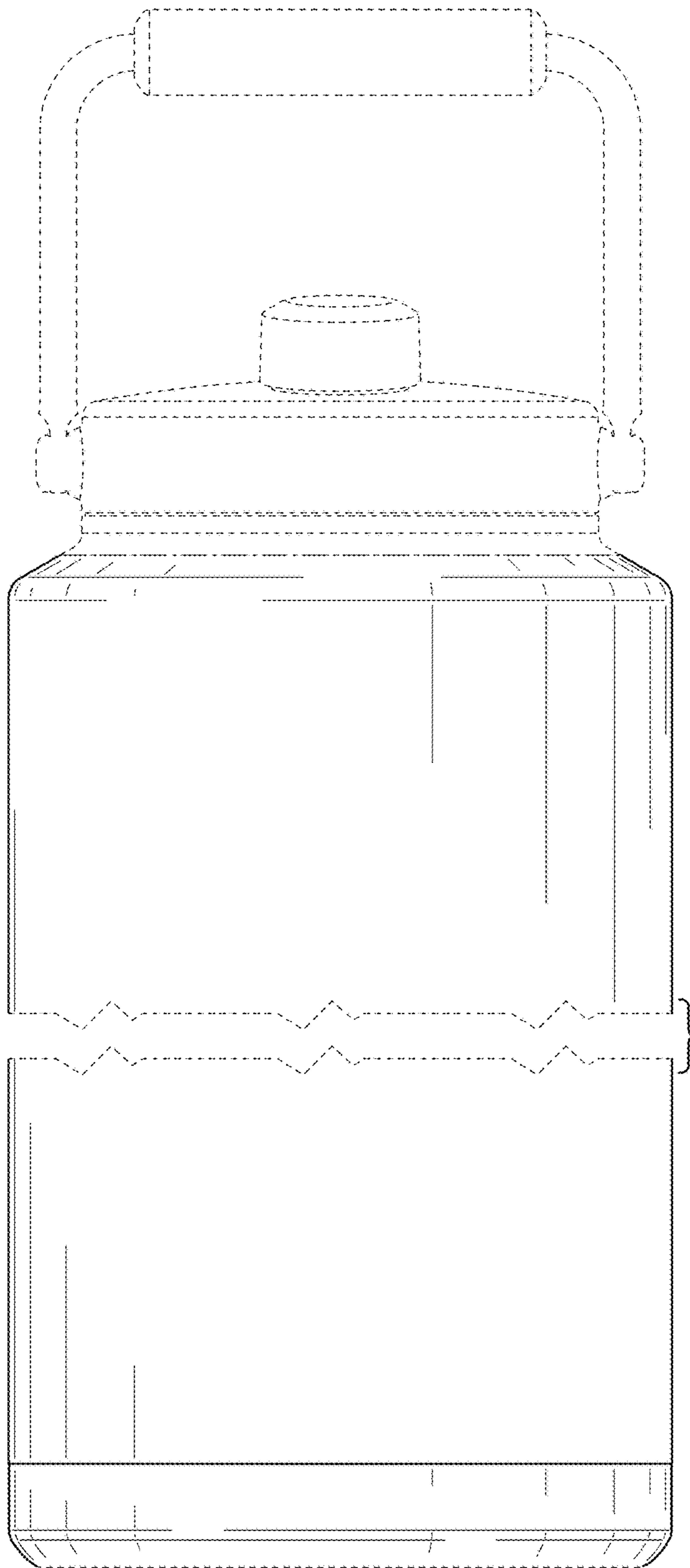


FIG. 2

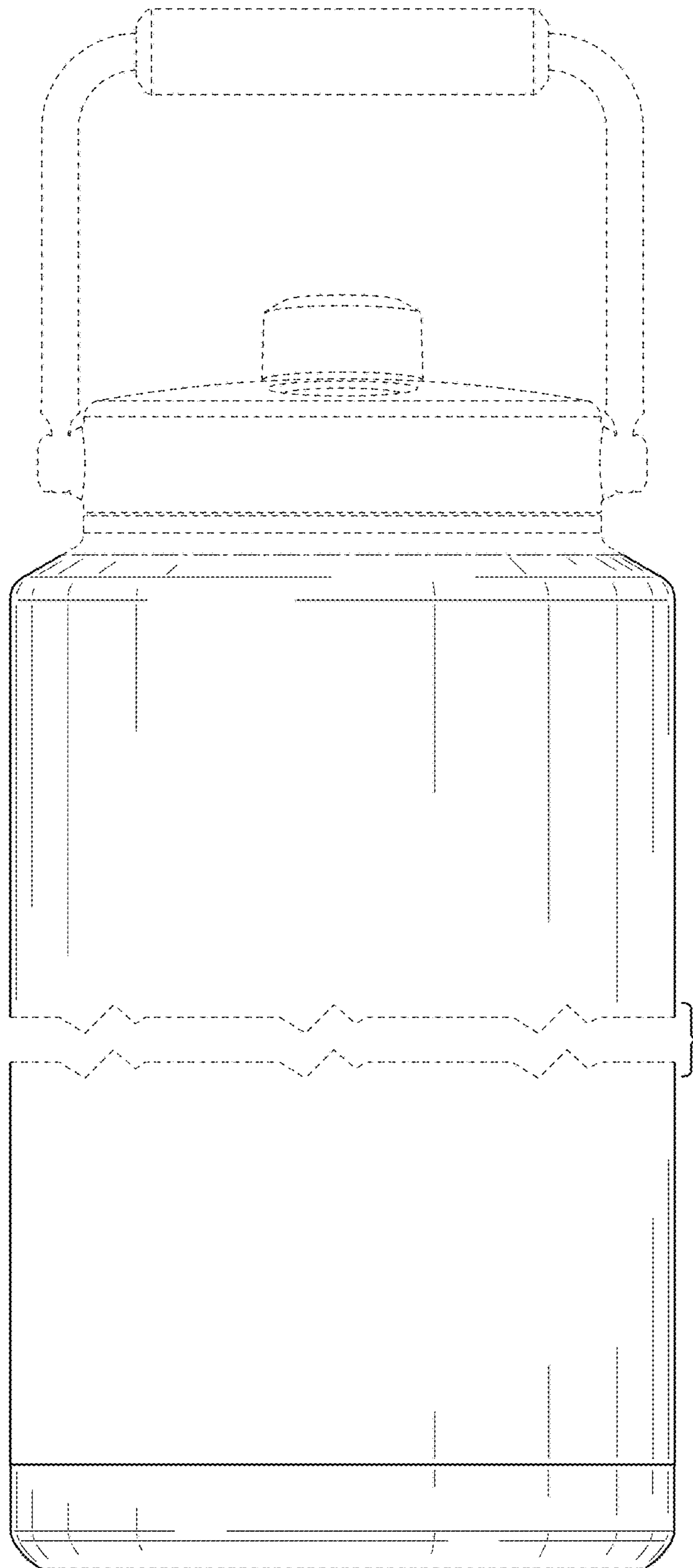


FIG. 3

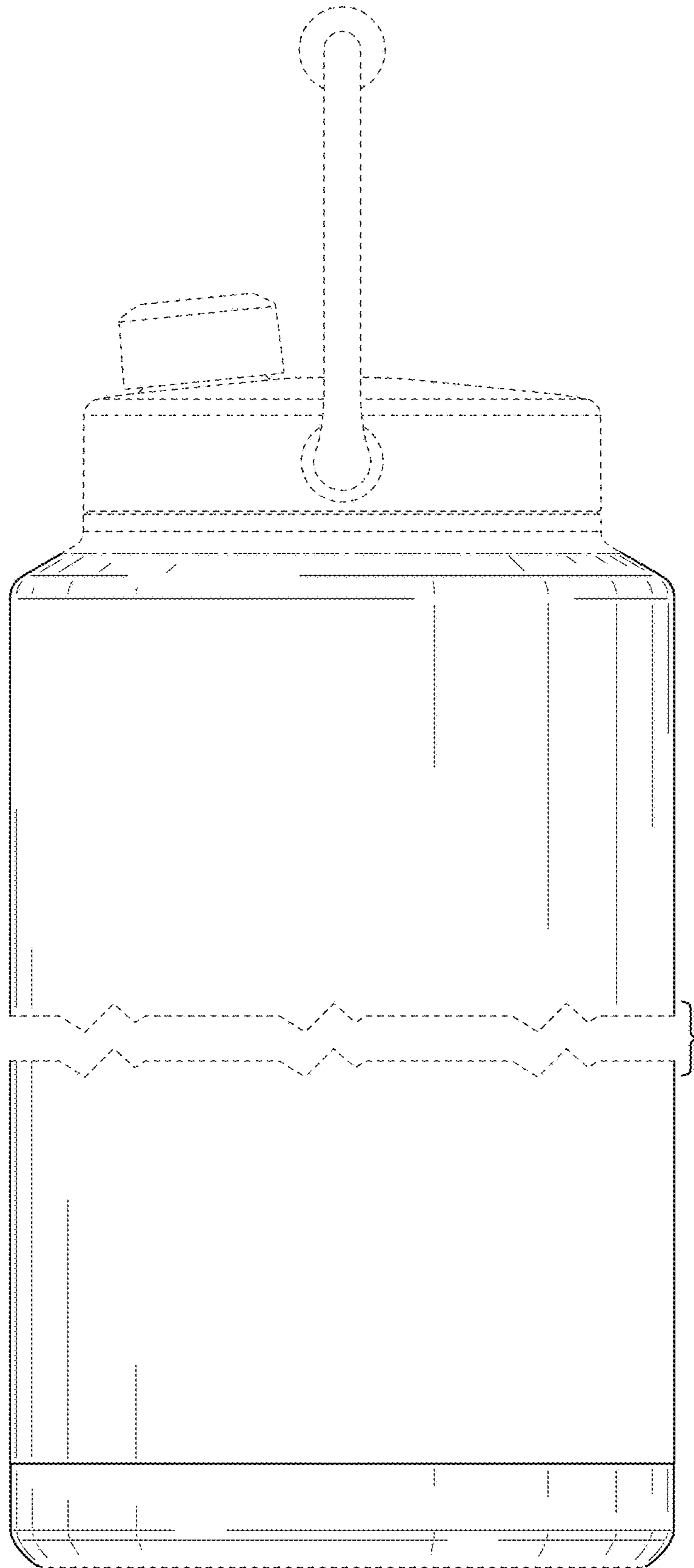


FIG. 4

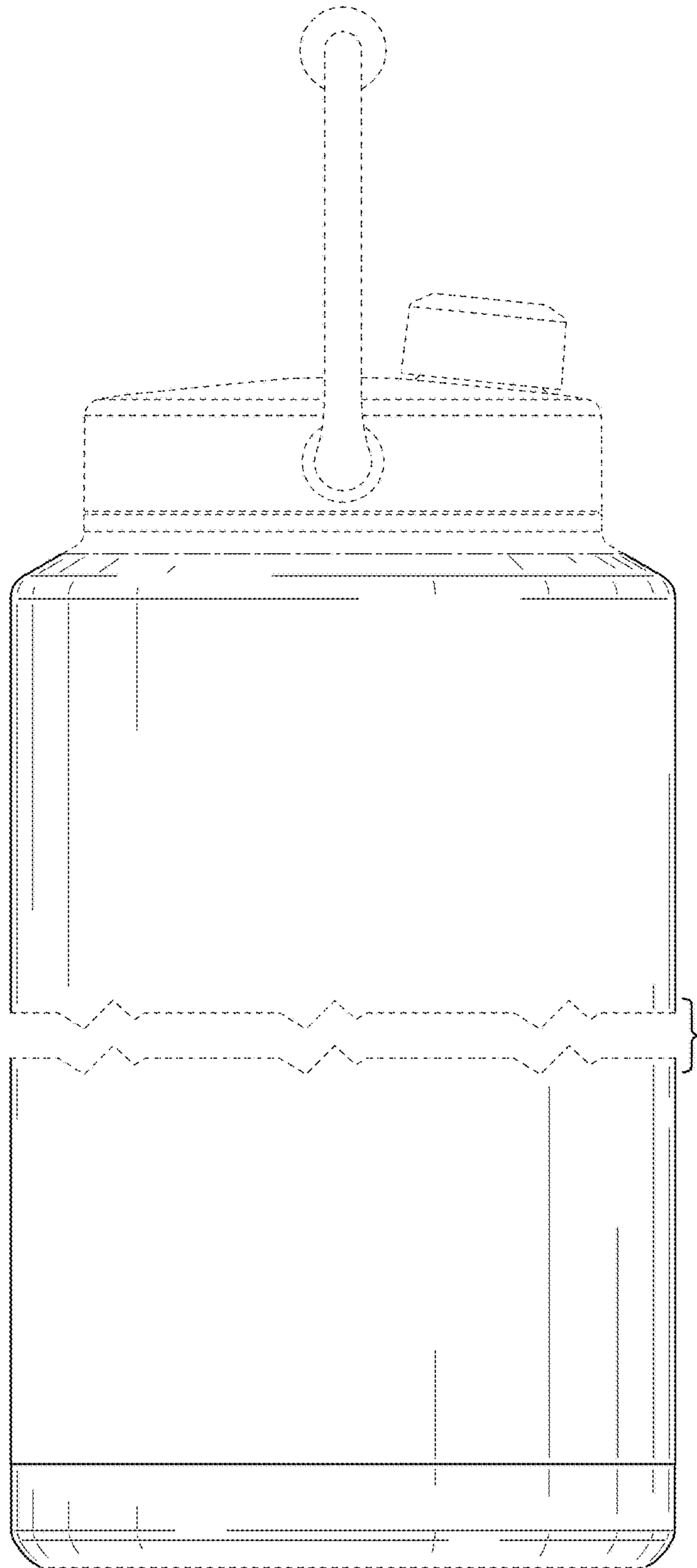


FIG. 5



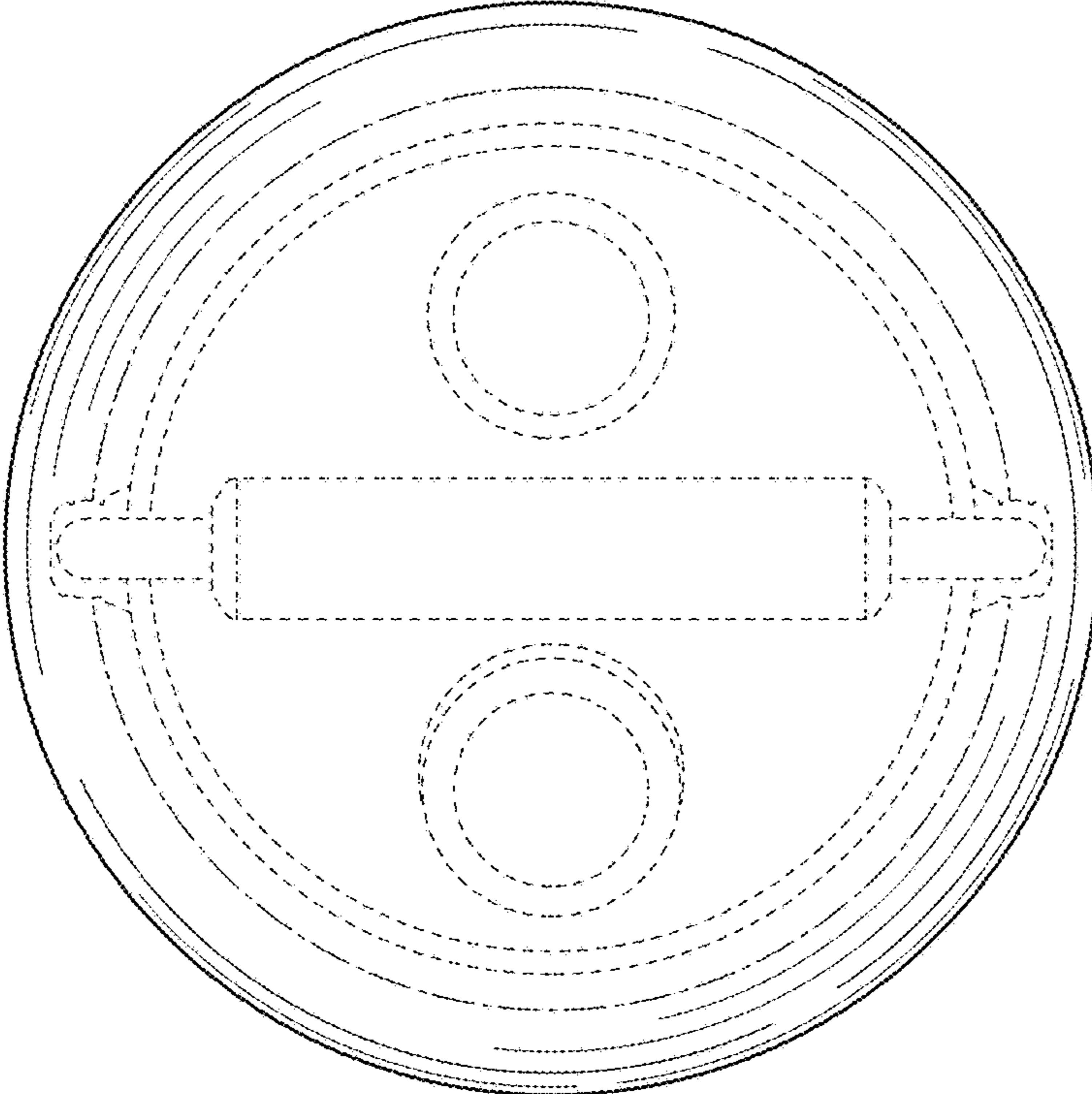


FIG. 6

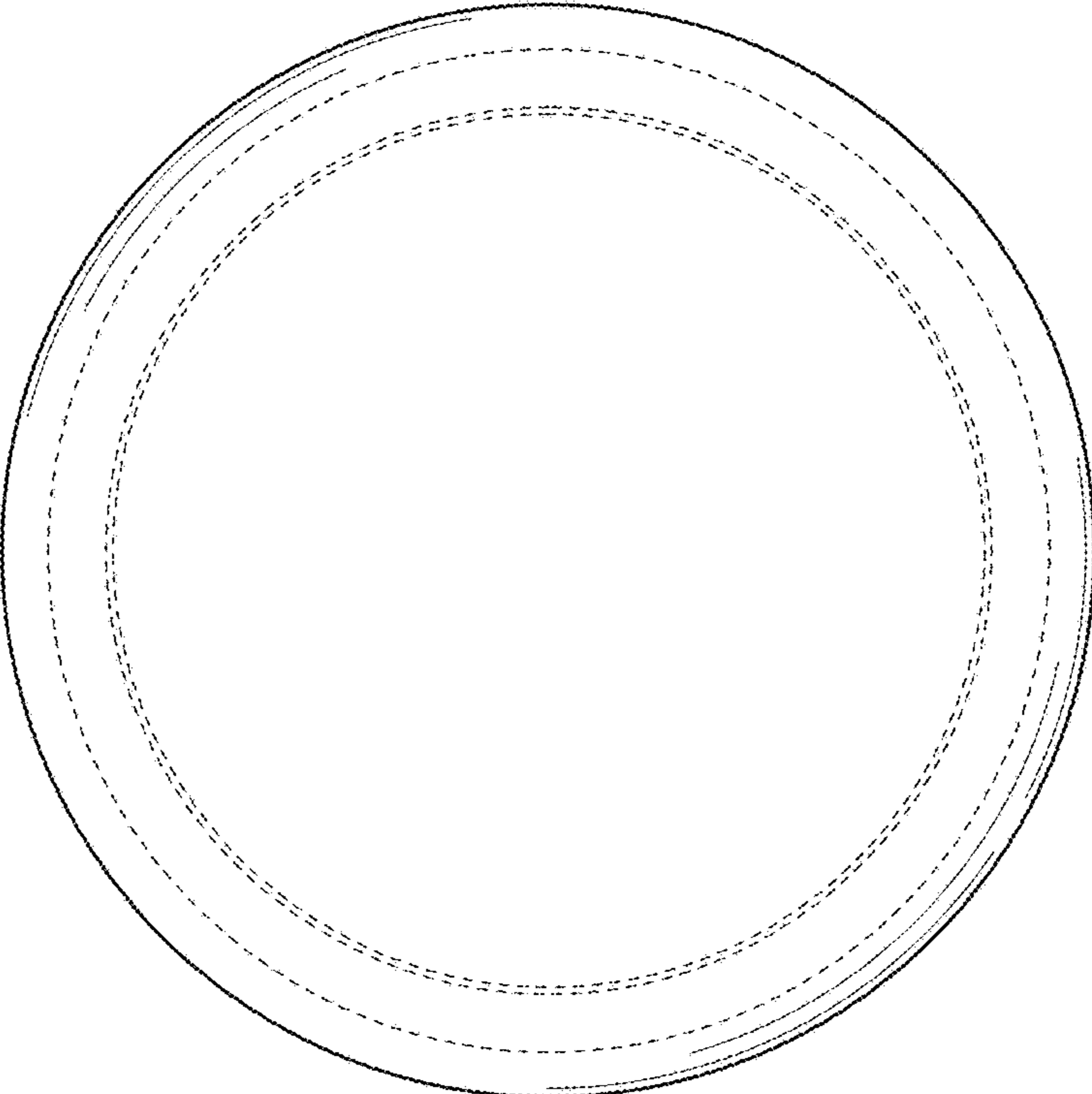


FIG. 7