



US00D787891S

(12) **United States Design Patent** (10) **Patent No.:** **US D787,891 S**
Goodman et al. (45) **Date of Patent:** **** May 30, 2017**

- (54) **FRUIT TREE** D369,482 S * 5/1996 McArdle D7/601
5,826,843 A * 10/1998 Sturm A47F 7/0071
211/13.1
- (71) Applicant: **Spectrum Diversified Designs, LLC,** D481,265 S * 10/2003 Ancona D7/601
Streetsboro, OH (US) 6,854,609 B1 * 2/2005 Hettinger A47F 7/0071
211/85.4
- (72) Inventors: **Aaron D. Goodman,** Beachwood, OH D538,109 S * 3/2007 Goodman D7/601
(US); **Phaysouk Xayoiphonh,** Akron, OH (US) D569,691 S * 5/2008 Goodman D7/601
D586,624 S * 2/2009 Goodman D7/601
D620,711 S * 8/2010 Hertaus D3/306
- (73) Assignee: **Spectrum Diversified Designs, LLC,** D670,971 S * 11/2012 Goodman D7/601
Streetsboro, OH (US) D671,371 S * 11/2012 Goodman D7/601
D698,204 S * 1/2014 Goodman D7/601

(**) Term: **15 Years**

* cited by examiner

(21) Appl. No.: **29/555,700**

Primary Examiner — Terry Wallace

(22) Filed: **Feb. 24, 2016**

(74) *Attorney, Agent, or Firm* — Benesch, Friedlander, Coplan & Aronoff LLP

(51) **LOC (10) Cl.** **07-01**

(52) **U.S. Cl.** **D7/601**
USPC **D7/601**

(57) **CLAIM**

(58) **Field of Classification Search**
USPC D7/601, 704, 600.1–600.4, 584–587;
D3/304, 306; D6/676.5, 677.5, 678,
D6/678.4, 680.3; D19/76
CPC A47F 7/0071; A47F 7/00; A47F 7/022;
A47F 5/01; A47F 7/02; A47L 19/04;
F16M 11/10; F16M 13/00; A47B 75/00
See application file for complete search history.

The ornamental design for a fruit tree, as shown and described.

DESCRIPTION

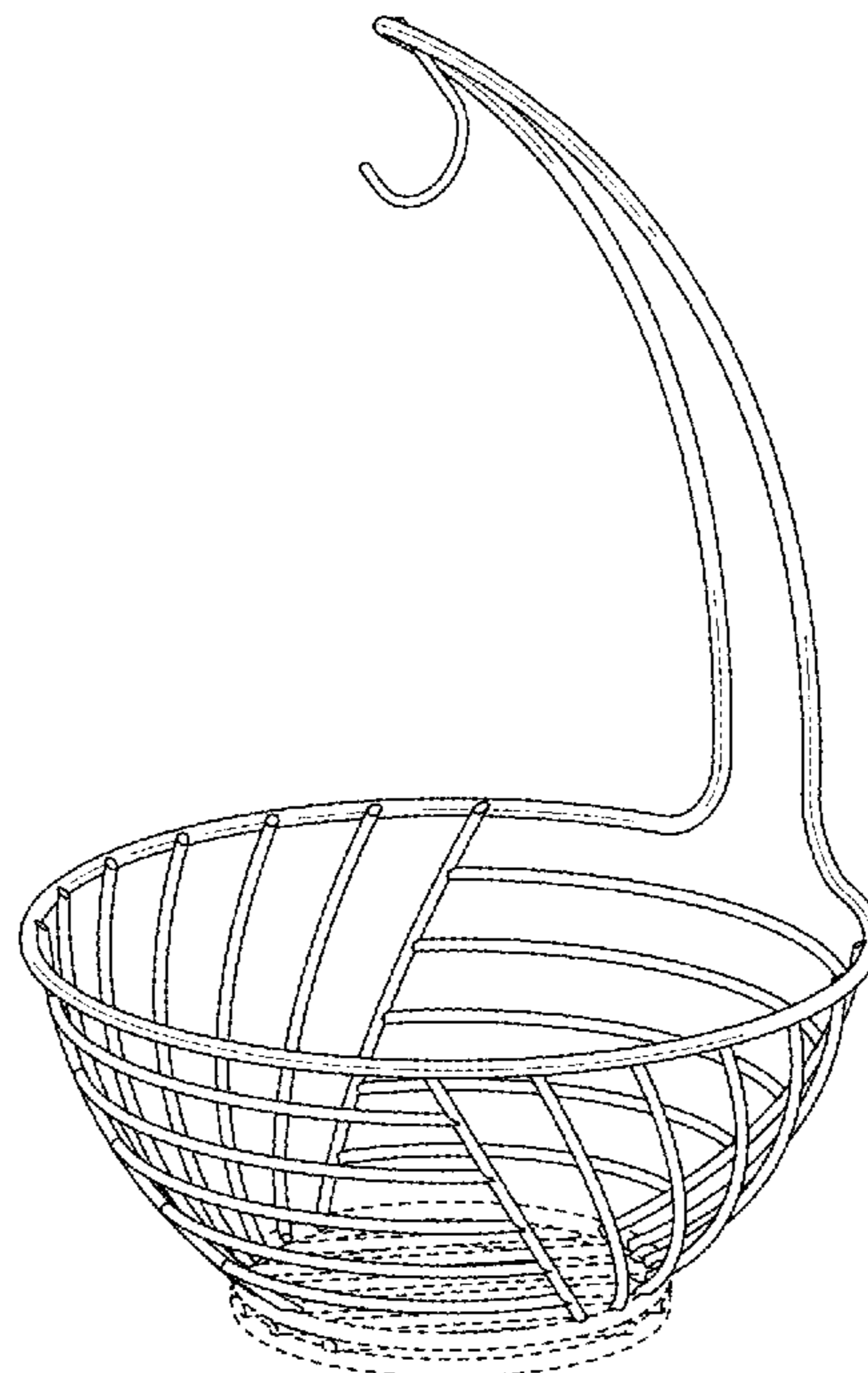
(56) **References Cited**

U.S. PATENT DOCUMENTS

- 2,038,903 A * 4/1936 Rakatzky A47F 7/0071
211/169
- 4,936,466 A * 6/1990 Nava A47F 7/02
206/566

FIG. 1 is a perspective view of a fruit tree a new design; FIG. 2 is a front view of the fruit tree of FIG. 1; FIG. 3 is a rear view of the fruit tree of FIG. 1; FIG. 4 is a side view of the fruit tree of FIG. 1; FIG. 5 is a top view of the fruit tree of FIG. 1; and, FIG. 6 is a bottom view of the fruit tree of FIG. 1. The components of the display shown in broken lines illustrate portions of the fruit tree form no part of the claimed design.

1 Claim, 4 Drawing Sheets



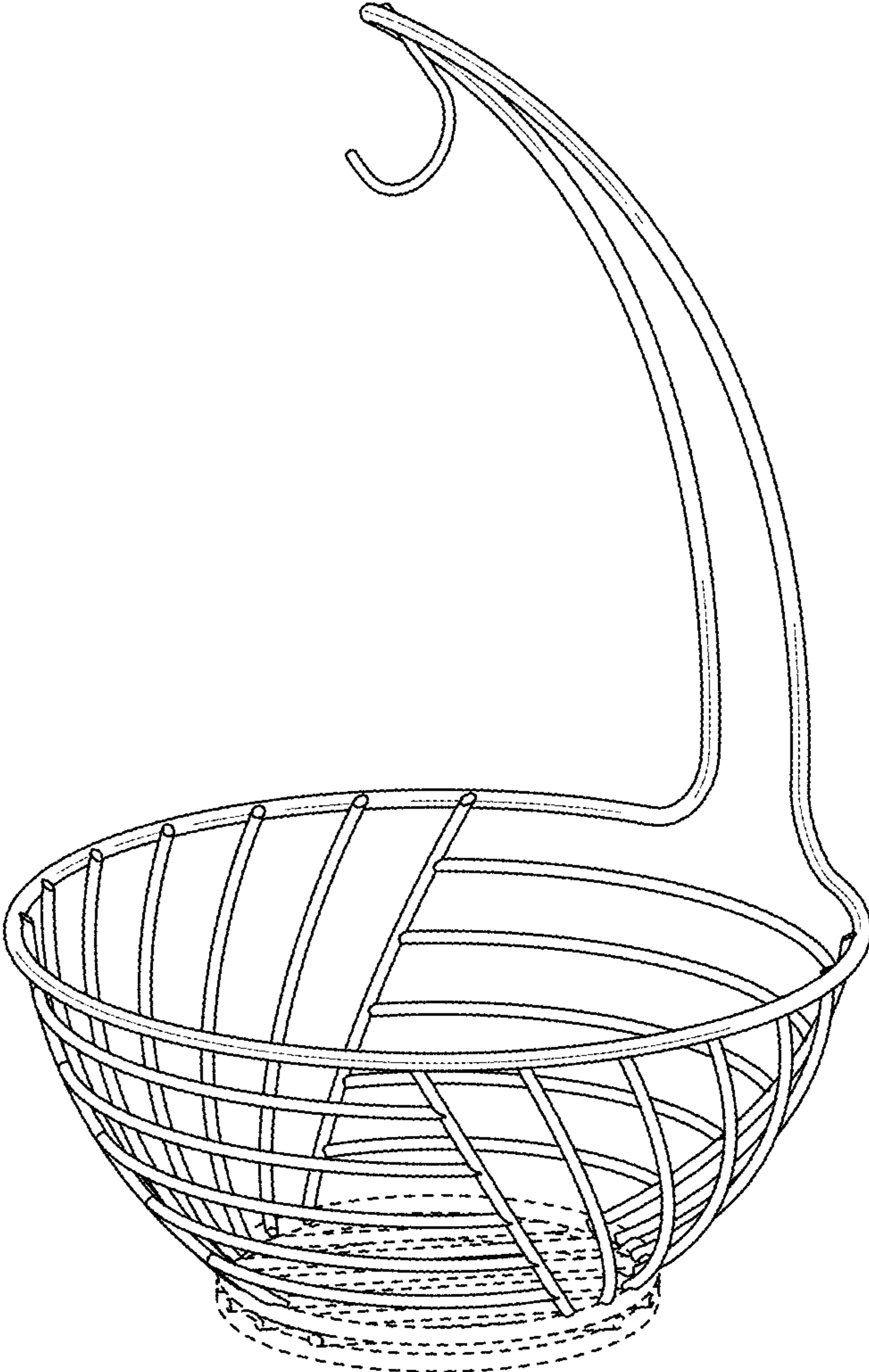


FIG. 1

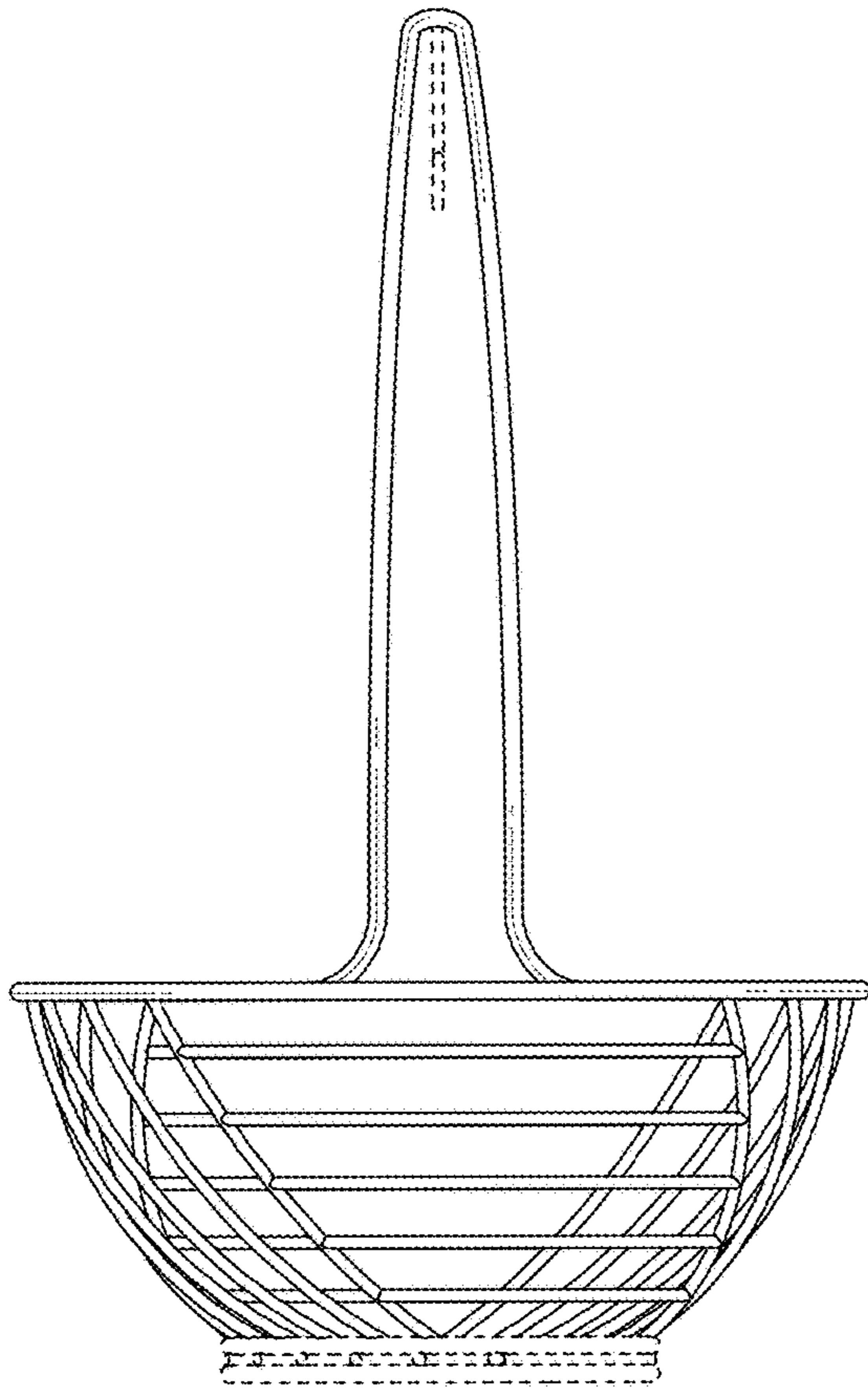


FIG. 2

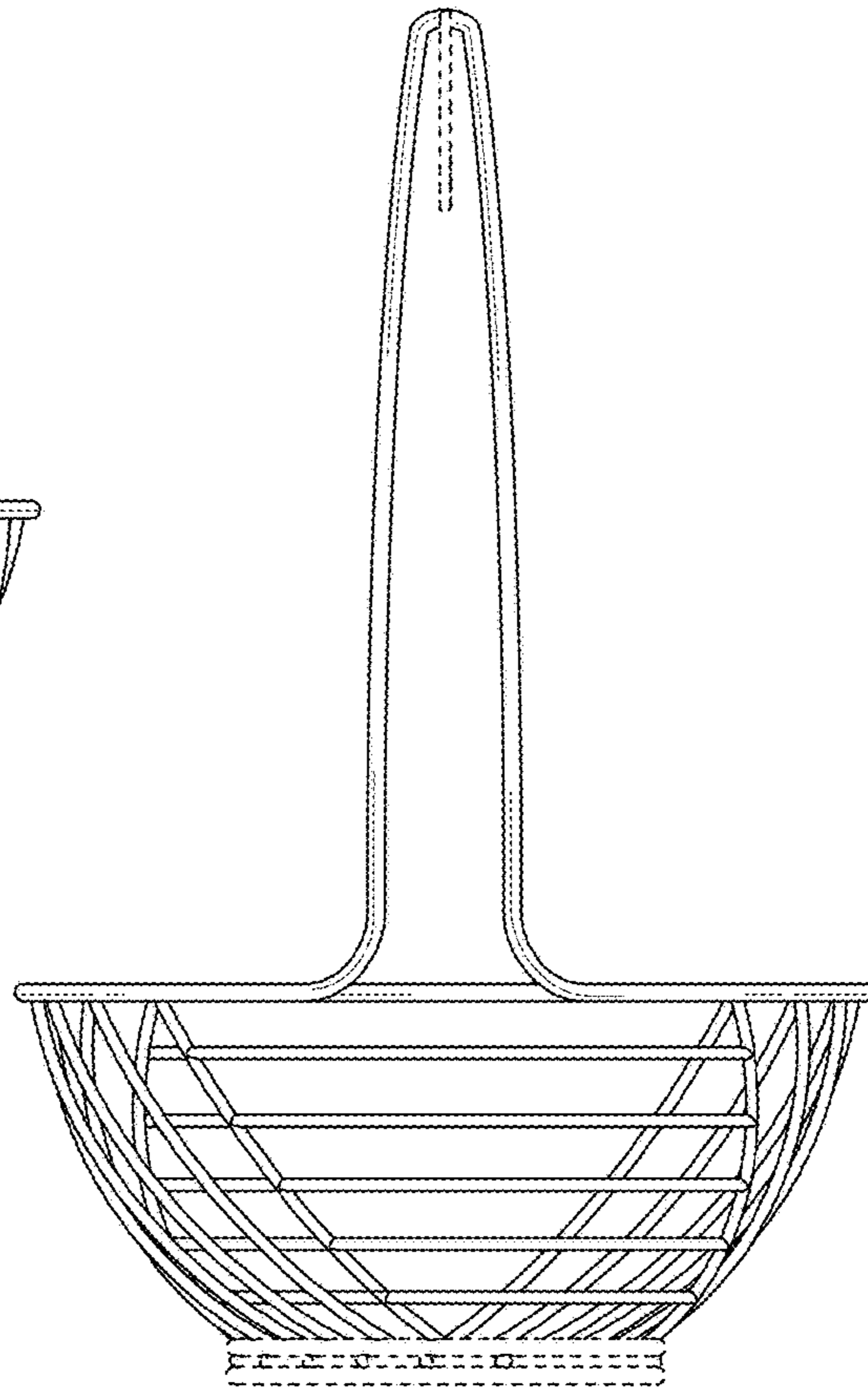


FIG. 3

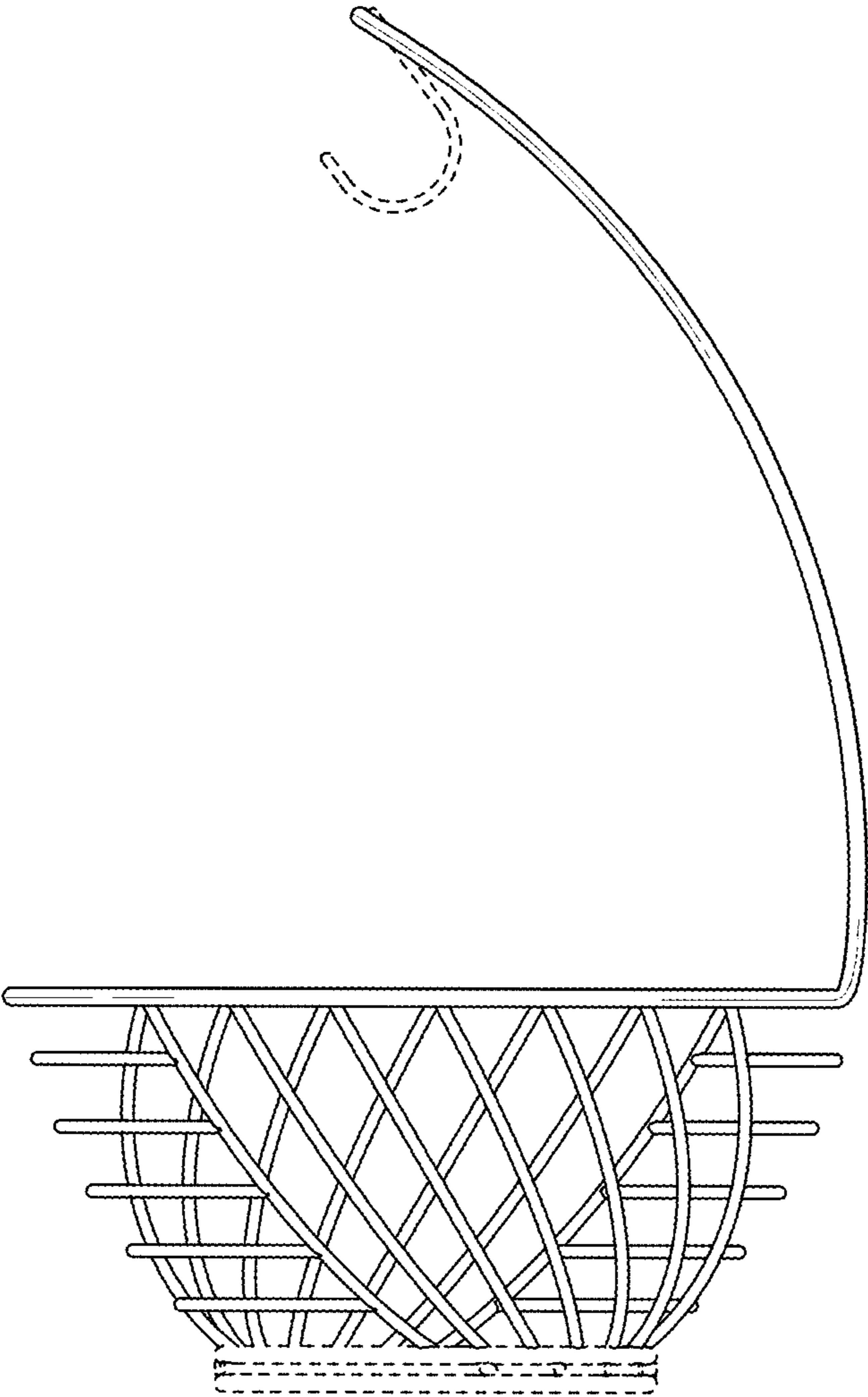


FIG. 4

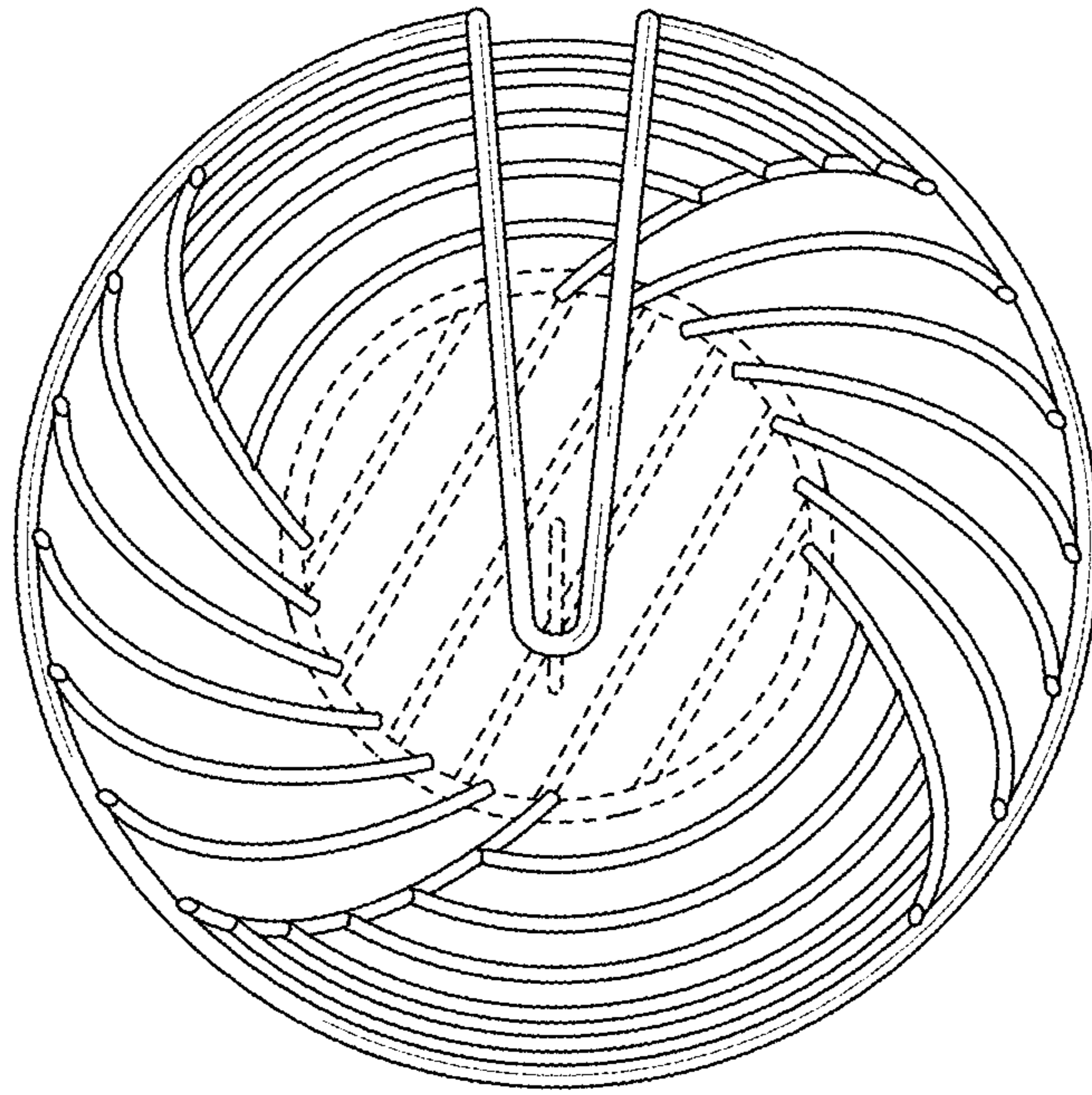


FIG. 5

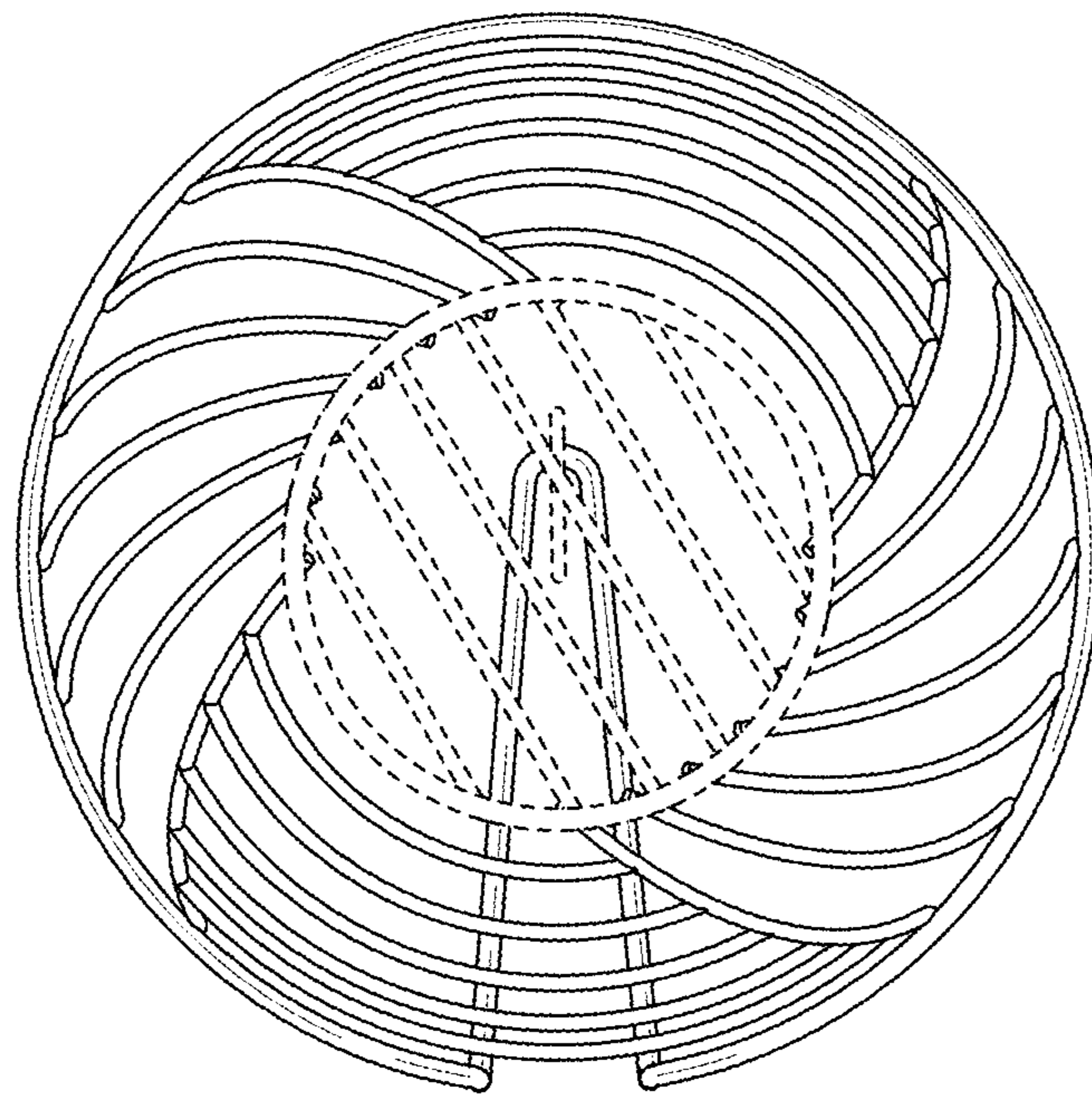


FIG. 6