



US00D787888S

(12) **United States Design Patent**  
**Joseph**

(10) **Patent No.:** **US D787,888 S**

(45) **Date of Patent:** **\*\* May 30, 2017**

- (54) **MUG**
- (71) Applicant: **Joseph Joseph Ltd.**, London (GB)
- (72) Inventor: **Antony Joseph**, London (GB)
- (73) Assignee: **Joseph Joseph Ltd.**, London (GB)
- (\*\*) Term: **15 Years**
- (21) Appl. No.: **29/559,943**
- (22) Filed: **Apr. 1, 2016**
- (30) **Foreign Application Priority Data**  
  - Oct. 27, 2015 (EM) ..... 002837997-0006
- (51) **LOC (10) Cl.** ..... **07-01**
- (52) **U.S. Cl.**  
USPC ..... **D7/536; D7/533; D7/511; D7/510**
- (58) **Field of Classification Search**  
USPC ..... D7/507, 509, 510, 511, 523, 529, 531,  
D7/532, 533, 535, 536, 508, 392.1, 396.2,  
D7/387, 543, 608; D8/33, 34;  
220/592.16, 592.17, 295.03, 718, 719,  
220/495.03, 62.12, 710.5; D9/517, 567,  
D9/554, 555, 558, 503, 504, 552, 540  
CPC .. B25B 13/52; B67B 7/00; B67B 7/14; B67B  
7/16; A47G 19/22; A47G 19/2227; A45F  
3/20  
See application file for complete search history.

- (56) **References Cited**  
**U.S. PATENT DOCUMENTS**  
2,612,031 A \* 9/1952 Cockriel ..... A47G 19/22  
215/392  
2,770,956 A \* 11/1956 Achtziger ..... A47G 19/23  
215/10  
2,834,533 A \* 5/1958 Carew ..... A47G 23/0216  
229/402

- 2,839,209 A \* 6/1958 Lester ..... A47G 19/22  
215/13.1
- 3,313,447 A \* 4/1967 Spencer ..... A47G 19/2211  
220/719
- D216,829 S \* 3/1970 Colato ..... D7/536
- D273,367 S \* 4/1984 Hayes ..... D9/434
- D288,270 S \* 2/1987 Winterling ..... D7/536
- 5,941,411 A \* 8/1999 Langenbach ..... A47G 19/22  
220/703
- D417,365 S \* 12/1999 Huang ..... D7/511
- D436,294 S \* 1/2001 Marck ..... D7/511
- D438,430 S \* 3/2001 Gabrhel ..... D7/509
- D459,948 S \* 7/2002 Cote ..... D7/533
- D485,125 S \* 1/2004 J.o slashed.rgensen ..... D7/538
- D485,730 S \* 1/2004 Thun ..... D7/511
- D497,080 S \* 10/2004 Greenspon ..... D7/510
- D502,050 S \* 2/2005 Munson ..... D7/392.1
- D514,878 S \* 2/2006 Schmidt ..... D7/394
- D533,403 S \* 12/2006 Bhavnani ..... D7/510
- D553,909 S \* 10/2007 Bodum ..... D7/500

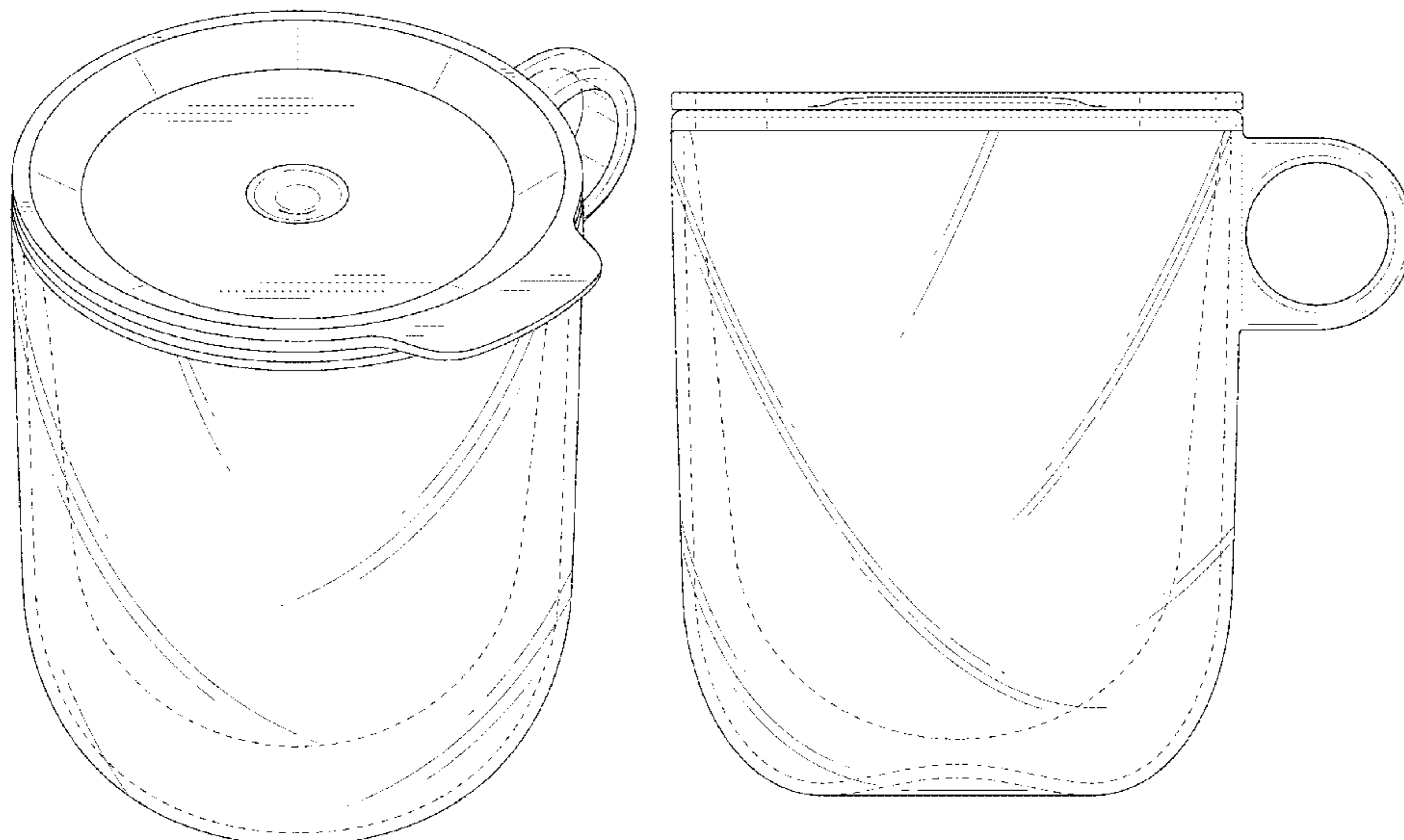
(Continued)

*Primary Examiner* — Marianne Pandozzi  
*Assistant Examiner* — Jae Liang  
(74) *Attorney, Agent, or Firm* — Millen White Zelano & Branigan, P.C.

(57) **CLAIM**  
The ornamental design for a mug, as shown and described.

**DESCRIPTION**  
FIG. 1 is a front perspective view of a mug showing my new design;  
FIG. 2 is a front view thereof;  
FIG. 3 is a rear view thereof;  
FIG. 4 is a right side view thereof;  
FIG. 5 is a left side view thereof;  
FIG. 6 is a top view thereof; and,  
FIG. 7 is a bottom view thereof.  
The broken lines in the drawing depict portions of the mug that form no part of the claimed design.

**1 Claim, 7 Drawing Sheets**



(56)

**References Cited**

U.S. PATENT DOCUMENTS

D557,985 S *	12/2007	Arcangeli .....	D7/509
D569,192 S *	5/2008	Bodum .....	D7/533
D597,377 S *	8/2009	Poindexter .....	D7/536
D599,169 S *	9/2009	Stalions .....	D7/510
D599,621 S *	9/2009	Poindexter .....	D7/532
D613,121 S *	4/2010	Luft .....	D7/533
D674,203 S *	1/2013	Rosa .....	D6/358
D683,591 S *	6/2013	Cahen .....	D7/533
D722,826 S *	2/2015	Coon .....	D7/511
D723,333 S *	3/2015	Lin .....	D7/511
D741,647 S *	10/2015	Boczkowski .....	D7/399
D744,284 S *	12/2015	Thun .....	D7/509

\* cited by examiner

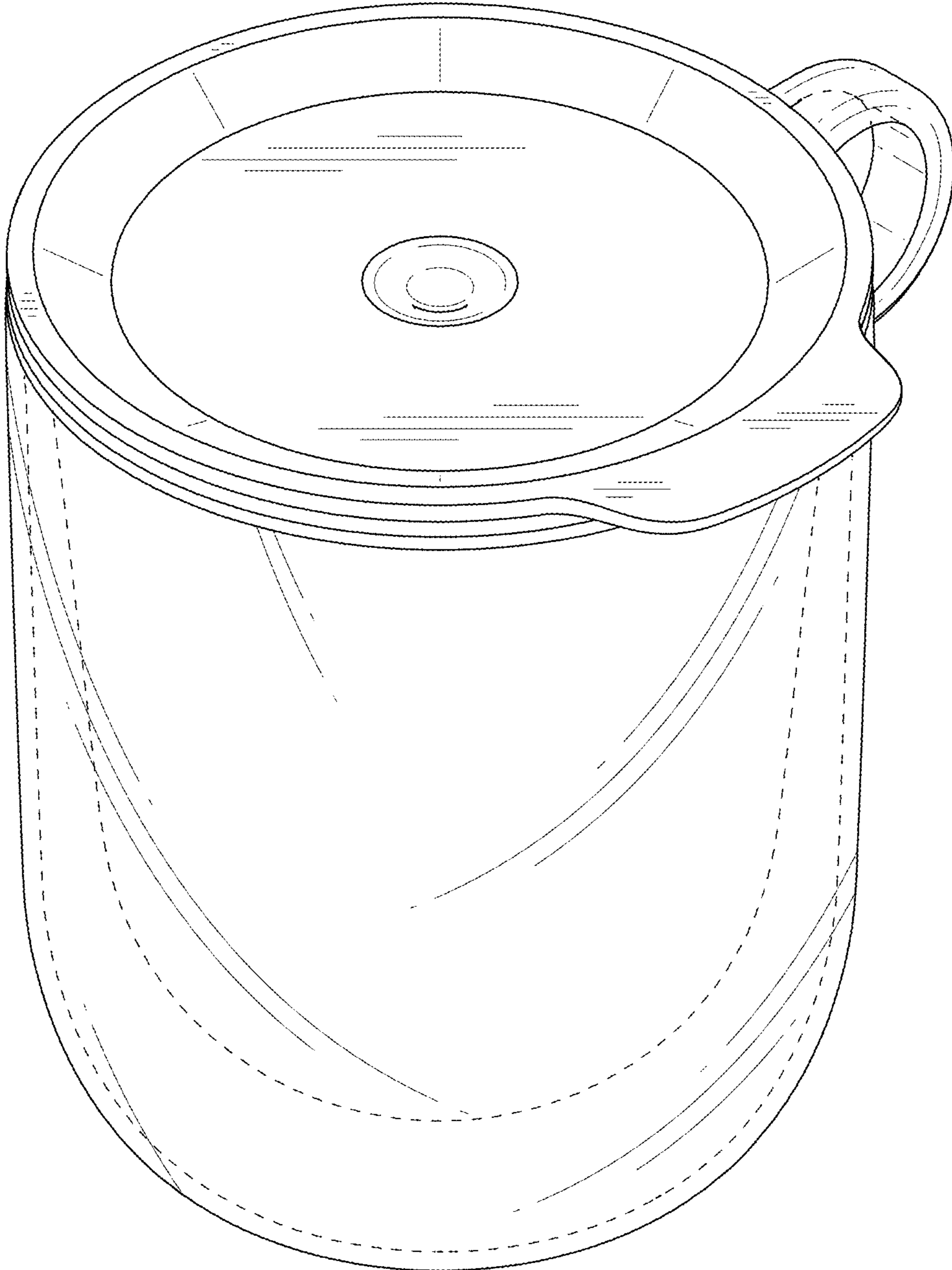


FIG. 1

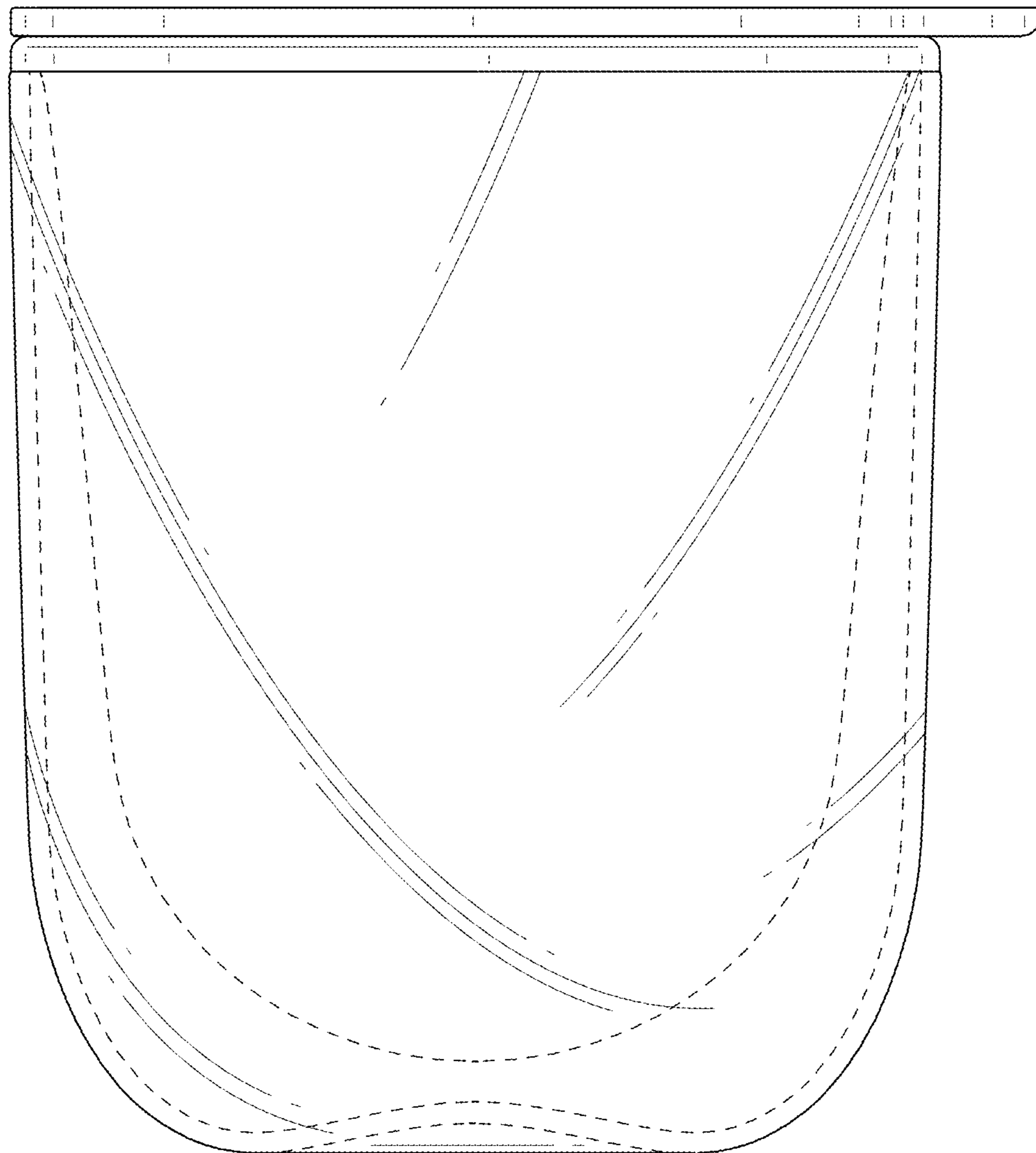


FIG. 2

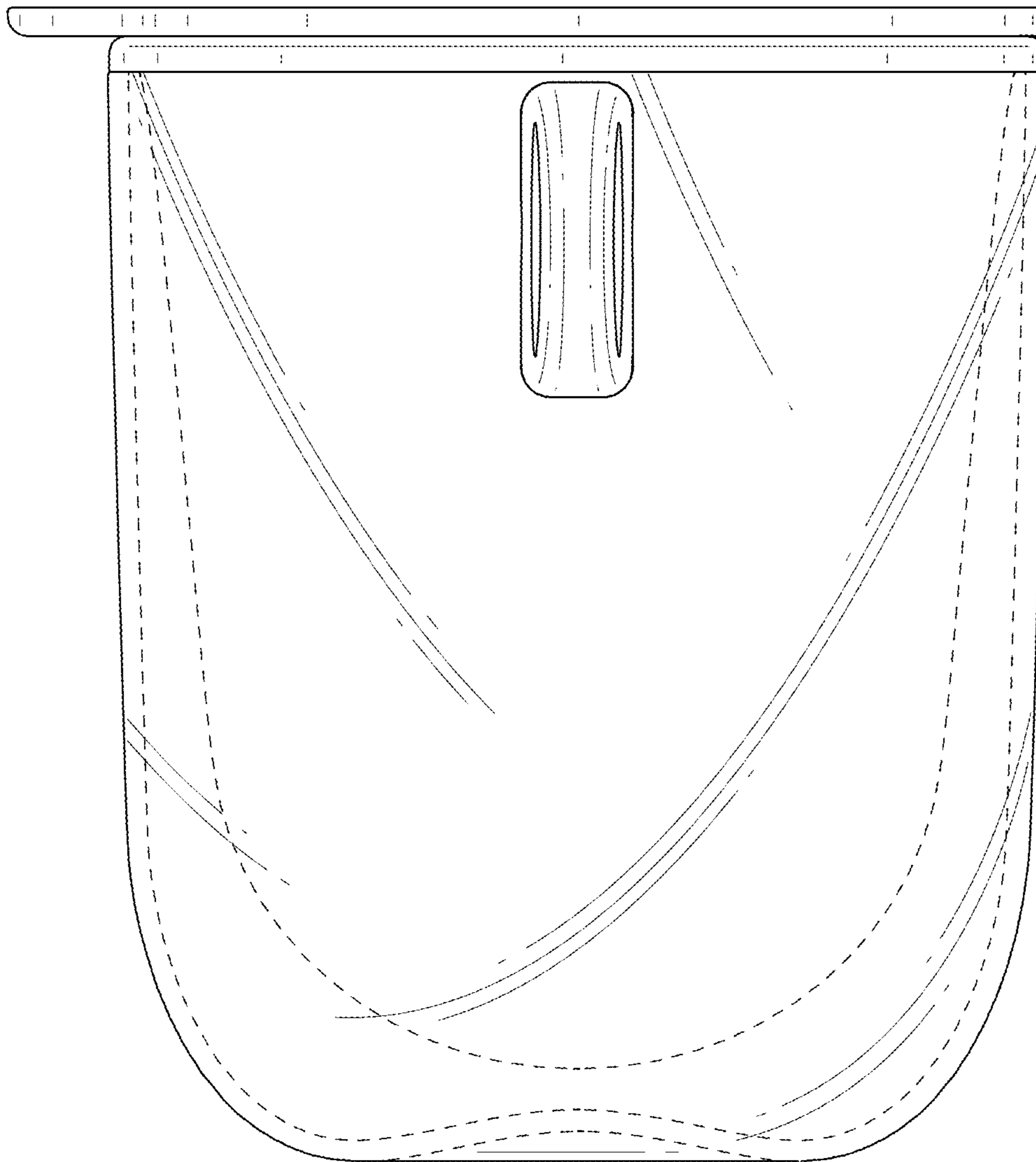


FIG. 3

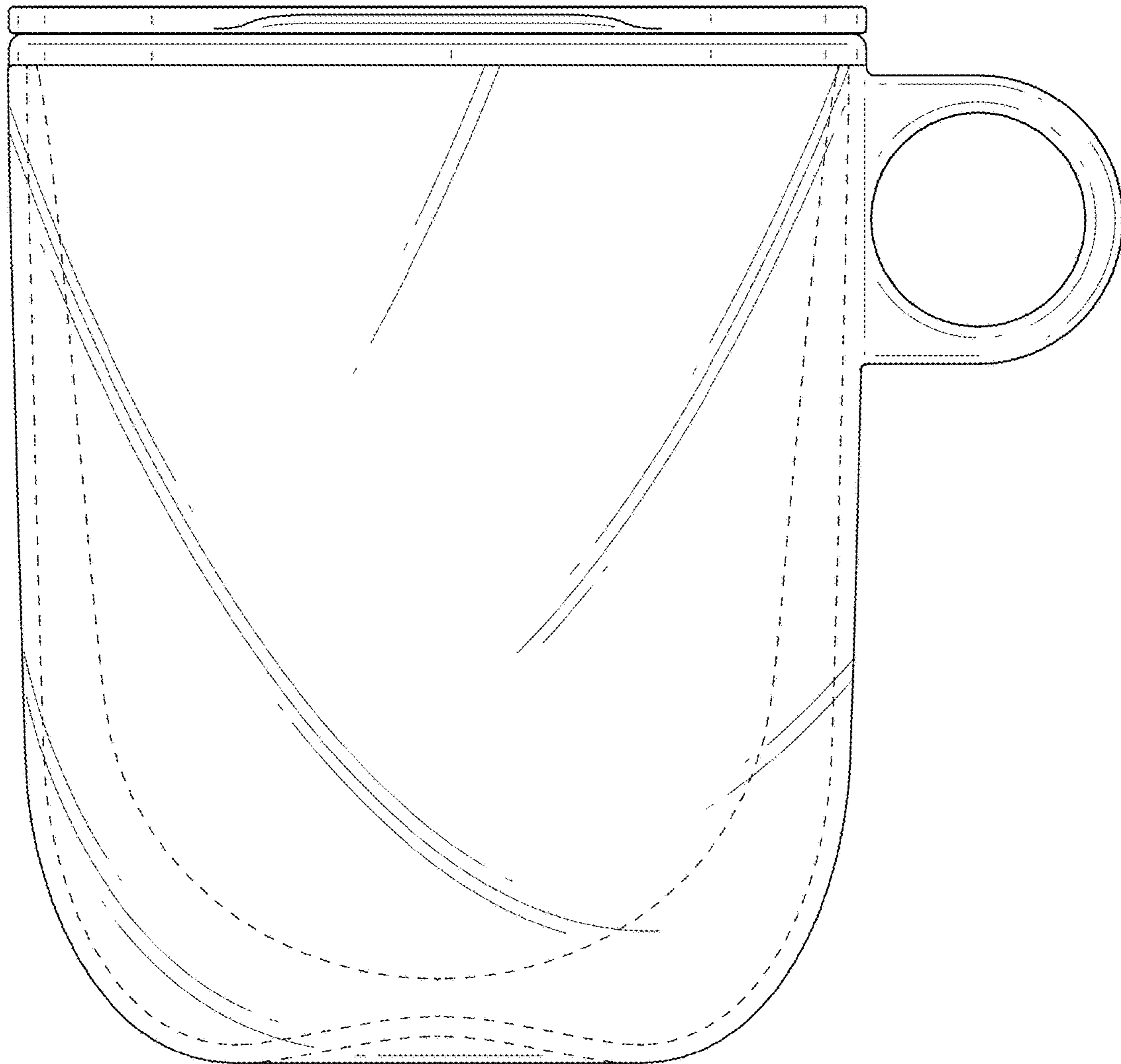


FIG. 4

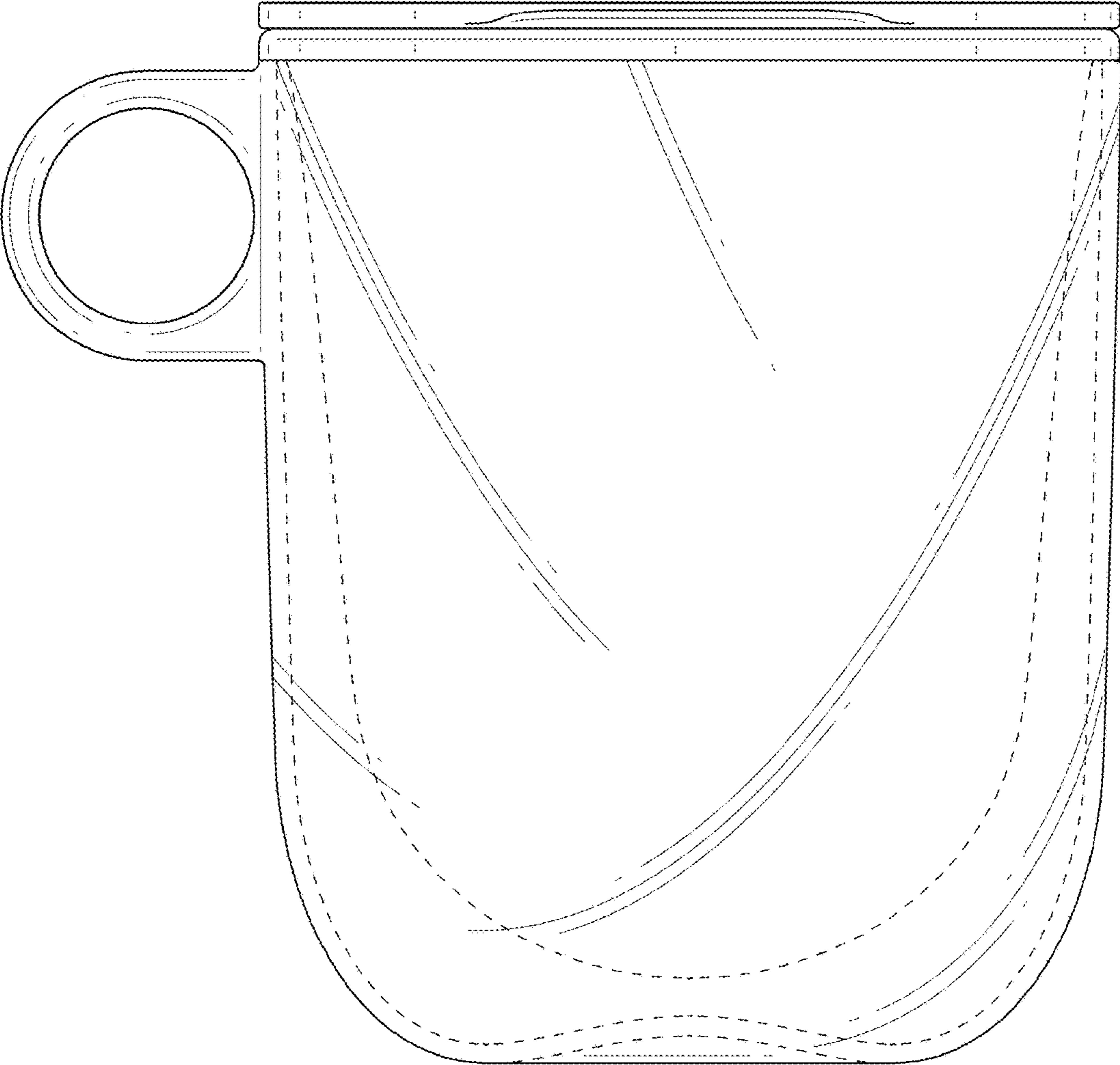


FIG. 5

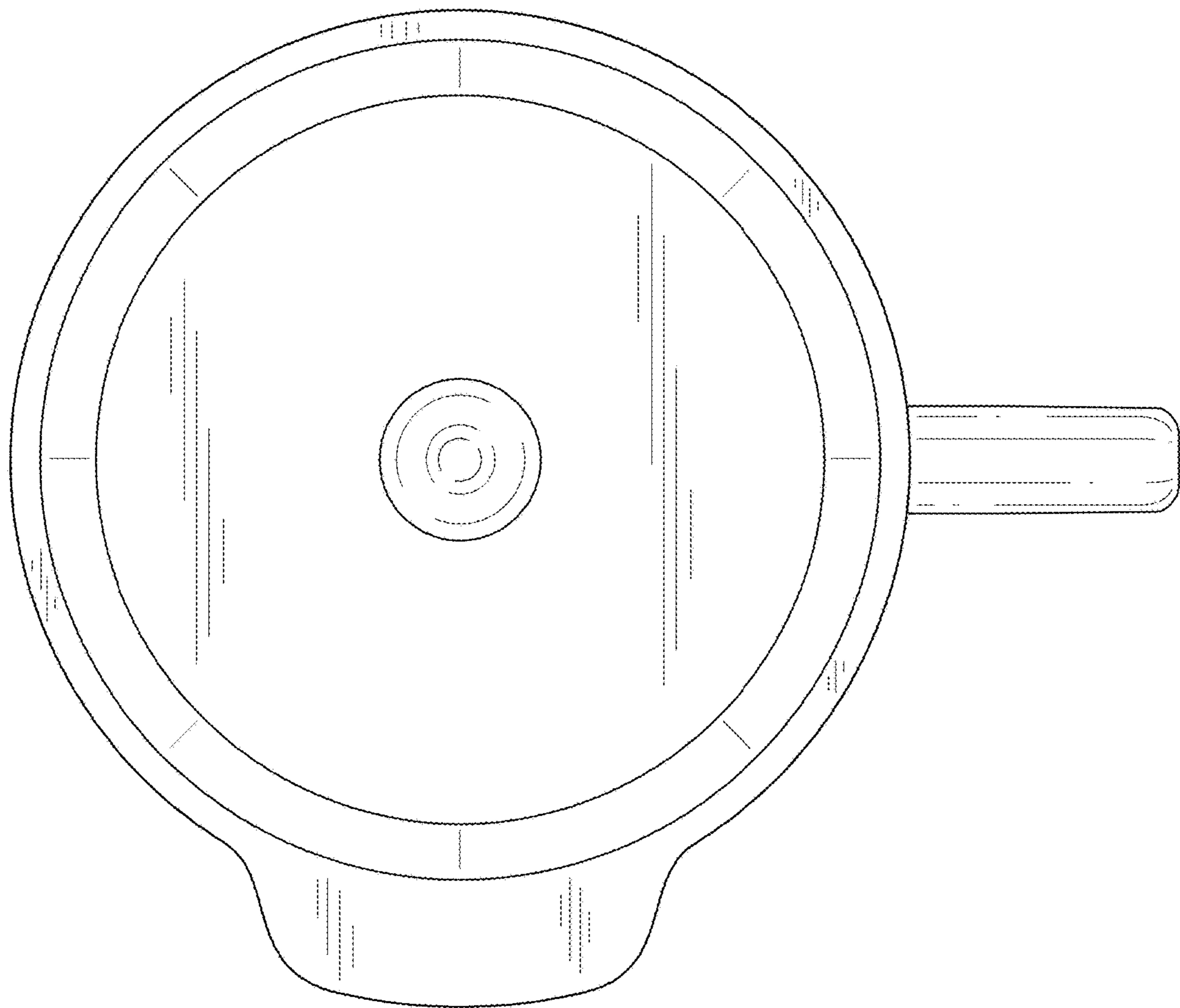


FIG. 6



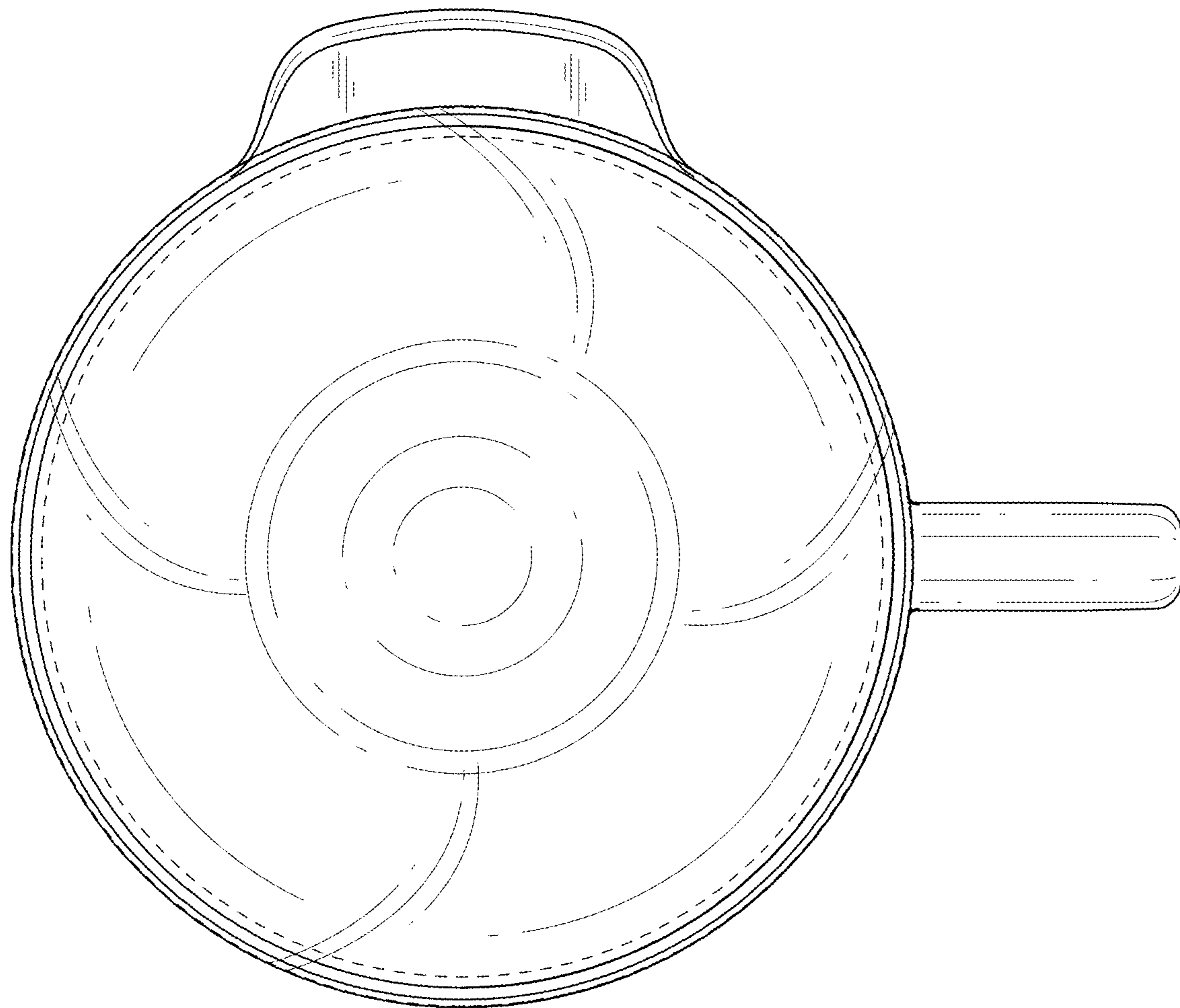


FIG. 7