

US00D787887S

(12) **United States Design Patent** (10) **Patent No.:** **US D787,887 S**
Bielawski et al. (45) **Date of Patent:** **** May 30, 2017**

(54) **BEVERAGE CONTAINER**

B65D 43/12; A61J 2205/20; A61J 2200/72; A61J 9/02; A61J 9/08

See application file for complete search history.

(71) Applicant: **Whirley Industries, Inc.**, Warren, PA (US)

(56) **References Cited**

(72) Inventors: **Brad Bielawski**, Warren, PA (US);
Ruth McClellan, Youngsville, PA (US)

U.S. PATENT DOCUMENTS

(73) Assignee: **Whirley Industries, Inc.**, Warren, PA (US)

D286,911 S 11/1986 Campbell et al.
D302,225 S 7/1989 Shapard
D304,763 S 11/1989 Yuan et al.
D337,921 S 8/1993 Iodice
D435,194 S 12/2000 Betras
6,179,146 B1 1/2001 Betras
D448,971 S 10/2001 Hughes

(**) Term: **15 Years**

(Continued)

(21) Appl. No.: **29/565,452**

Primary Examiner — Marianne Pandozzi

Assistant Examiner — Jae Liang

(22) Filed: **May 20, 2016**

(74) *Attorney, Agent, or Firm* — Buchanan Ingersoll & Rooney PC

Related U.S. Application Data

(62) Division of application No. 29/518,437, filed on Feb. 24, 2015, now Pat. No. Des. 760,029.

(57) **CLAIM**

The ornamental design for a beverage container, as shown and described.

(51) **LOC (10) Cl.** **07-01**

DESCRIPTION

(52) **U.S. Cl.**

USPC **D7/529**; D7/510; D7/511

(58) **Field of Classification Search**

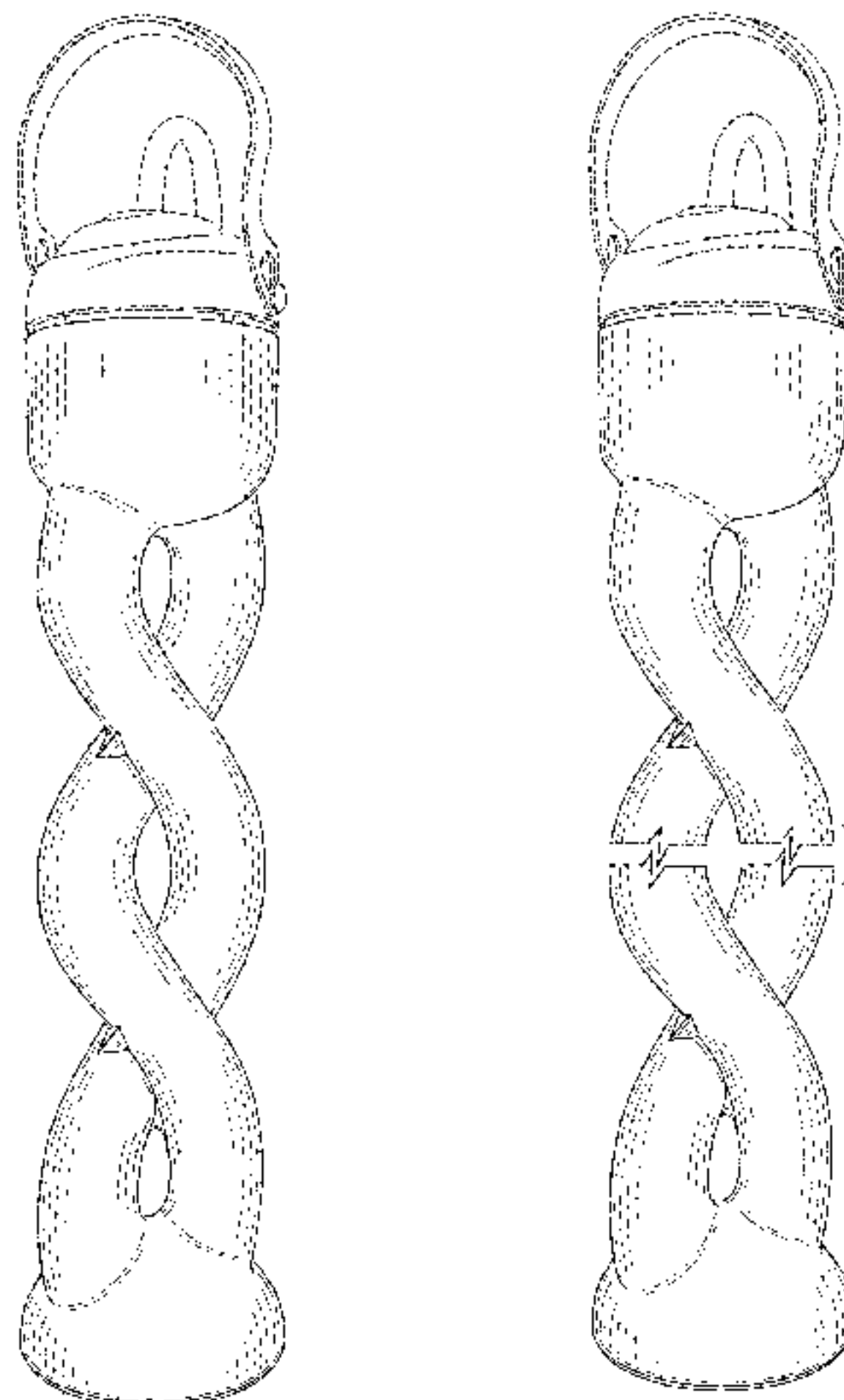
USPC D7/507, 509–511, 513, 523, 529, D7/532–534, 300, 300.1, 591, 608, 392, D7/392.1, 396.2, 900, 525; D9/500, D9/501–504, 516, 517, 525, 435, 436, D9/440, 442, 443, 449, 434, 556, 438, D9/538, 447, 445, 563, 554, 550, 546, D9/545, 446; D3/202; 222/480, 507, 222/546, 548, 553; 220/210, 212.5, 703, 220/709, 711; 215/12.1, 216

CPC B65D 23/02; B65D 39/0052; B65D 39/0082; B65D 39/0076; B65D 39/007; B65D 43/0277; B65D 43/0279; B65D 43/0285;

FIG. 1 is a perspective view of a first embodiment of a beverage container showing our new design; FIG. 2 is a front elevational view thereof; FIG. 3 is a rear elevational view thereof; FIG. 4 is a right side elevational view thereof; FIG. 5 is a left side elevational view thereof; FIG. 6 is a top plan view thereof; FIG. 7 is a bottom plan view thereof; FIG. 8 is a perspective view of a second embodiment of a beverage container; FIG. 9 is a front elevational view thereof; FIG. 10 is a rear elevational view thereof; FIG. 11 is a right side elevational view thereof; and, FIG. 12 is a left side elevational view thereof.

The broken lines in the drawing depict portions of the beverage container that form no part of the claimed design. The second embodiment of the beverage container is shown

(Continued)



with a symbolic break in its length. The appearance of any portion of the article between the break lines forms no part of the claimed design.

1 Claim, 7 Drawing Sheets

(56) **References Cited**

U.S. PATENT DOCUMENTS

6,325,229	B1	12/2001	Anders	
D469,307	S	1/2003	Lipson	
D510,529	S	10/2005	Yates, III	
D536,582	S	2/2007	Roth et al.	
D543,776	S	6/2007	Yelland	
D552,476	S	10/2007	Yelland	
D606,866	S	12/2009	Maas et al.	
D631,698	S	2/2011	Marsh	
D635,827	S	4/2011	Marsh	
D654,320	S	2/2012	McClellan et al.	
D660,083	S	5/2012	Tyler et al.	
D719,269	S	12/2014	Bianchi	
D722,827	S	2/2015	Dirks	
D726,502	S	4/2015	Broen et al.	
D730,692	S	6/2015	Davis et al.	
D760,029	S *	6/2016	Bielawski	D7/510
D764,307	S *	8/2016	Evans	D9/535
D765,472	S *	9/2016	Metaxatos	D7/396.4
2007/0125743	A1	6/2007	Pritchett, Jr. et al.	
2009/0321384	A1	12/2009	Zhang et al.	

* cited by examiner

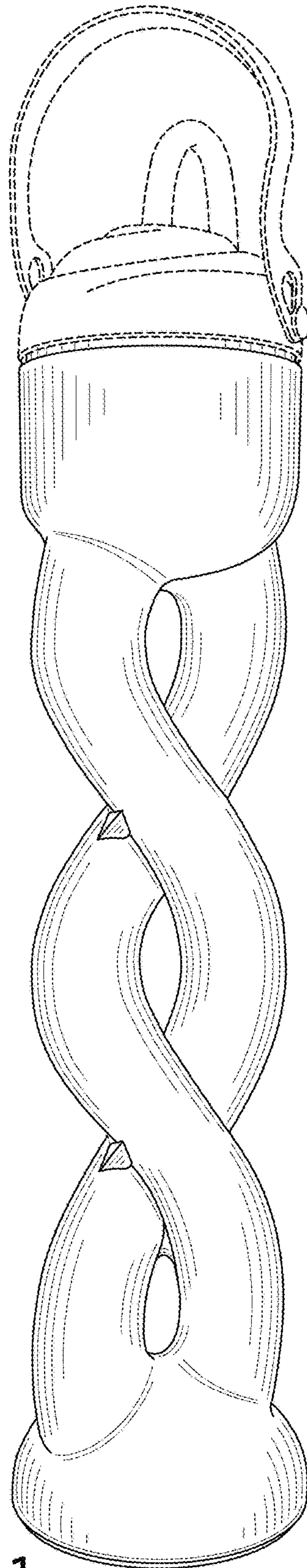


FIG. 1

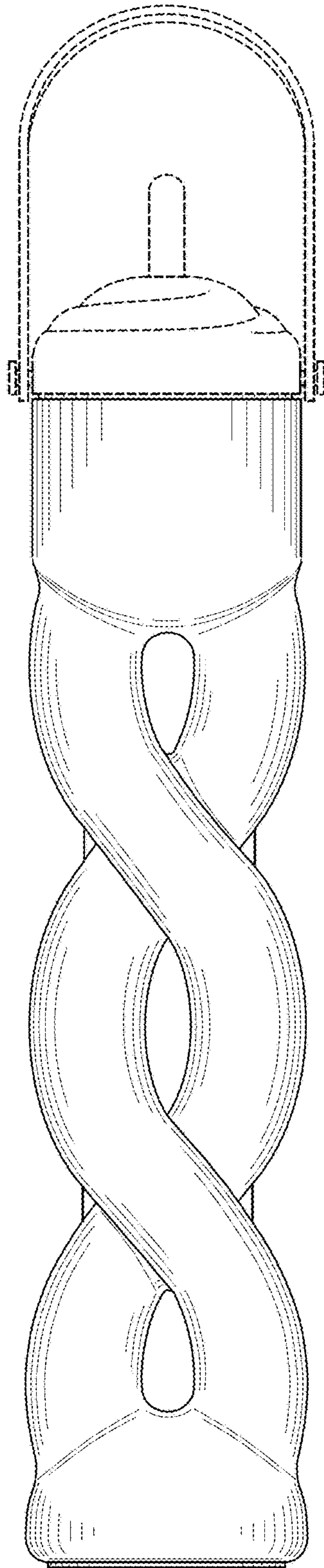


FIG. 2

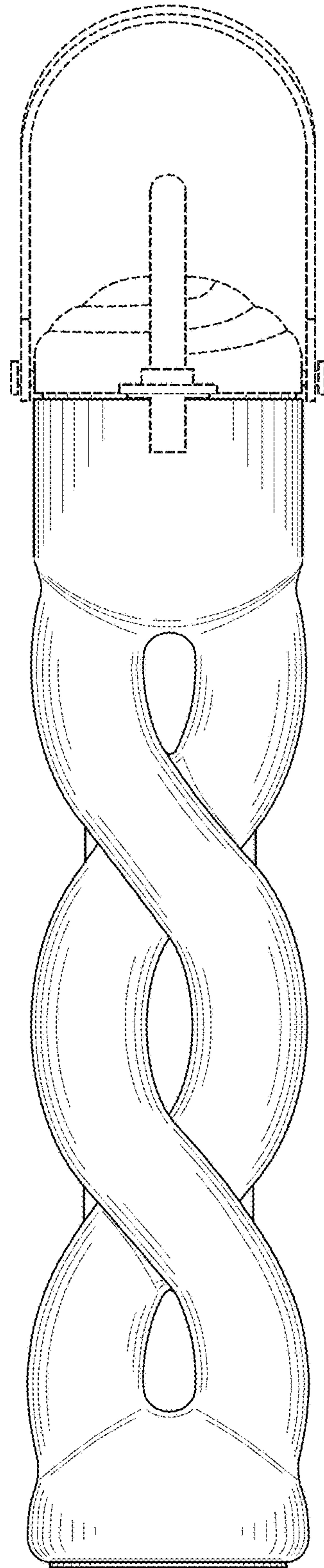


FIG. 3

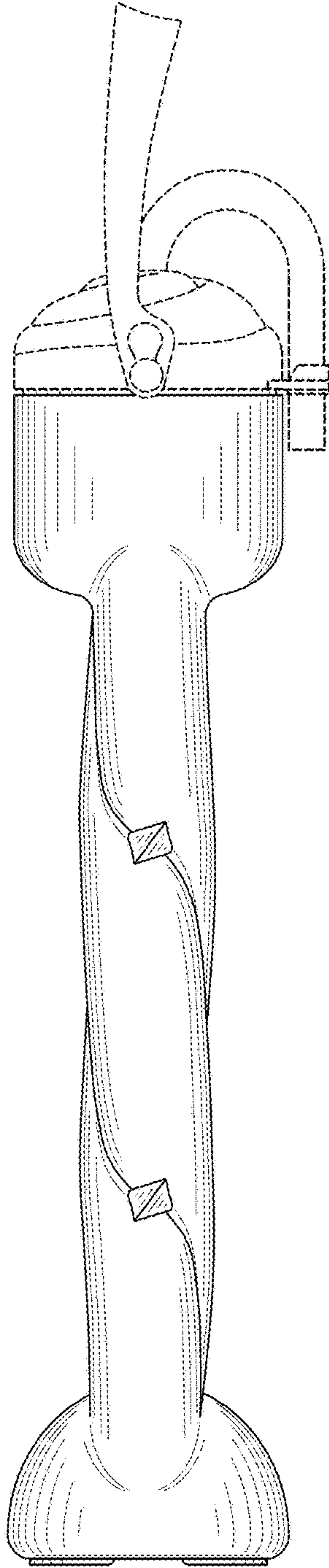


FIG. 4

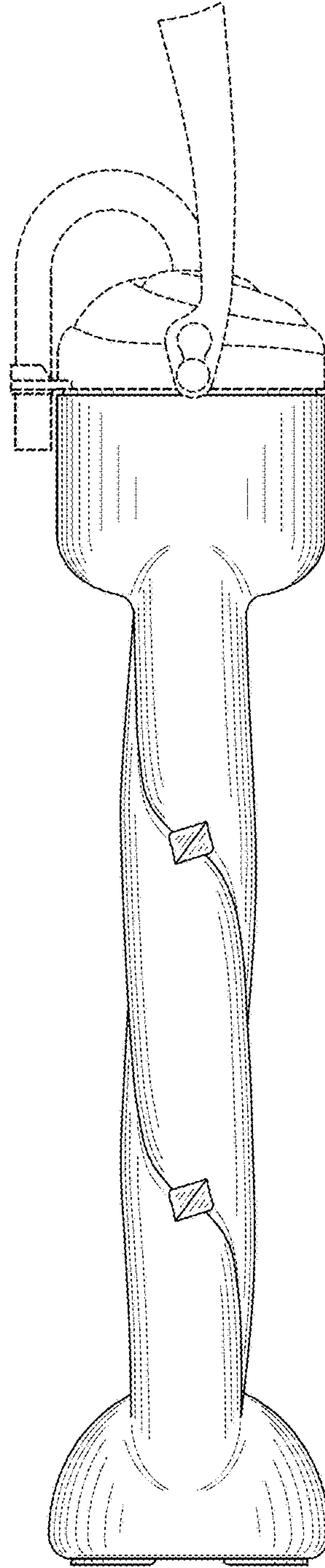


FIG. 5

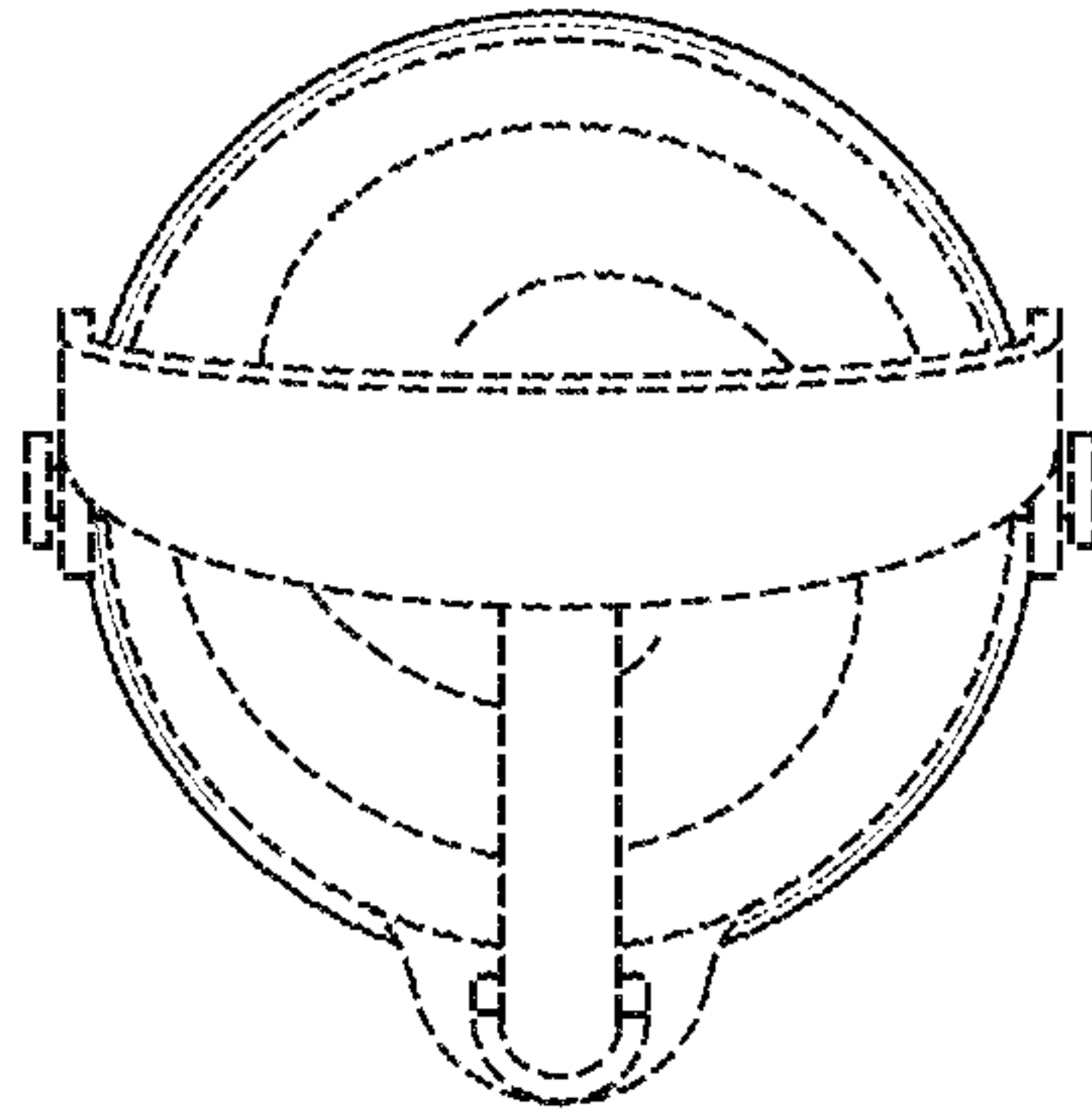


FIG. 6

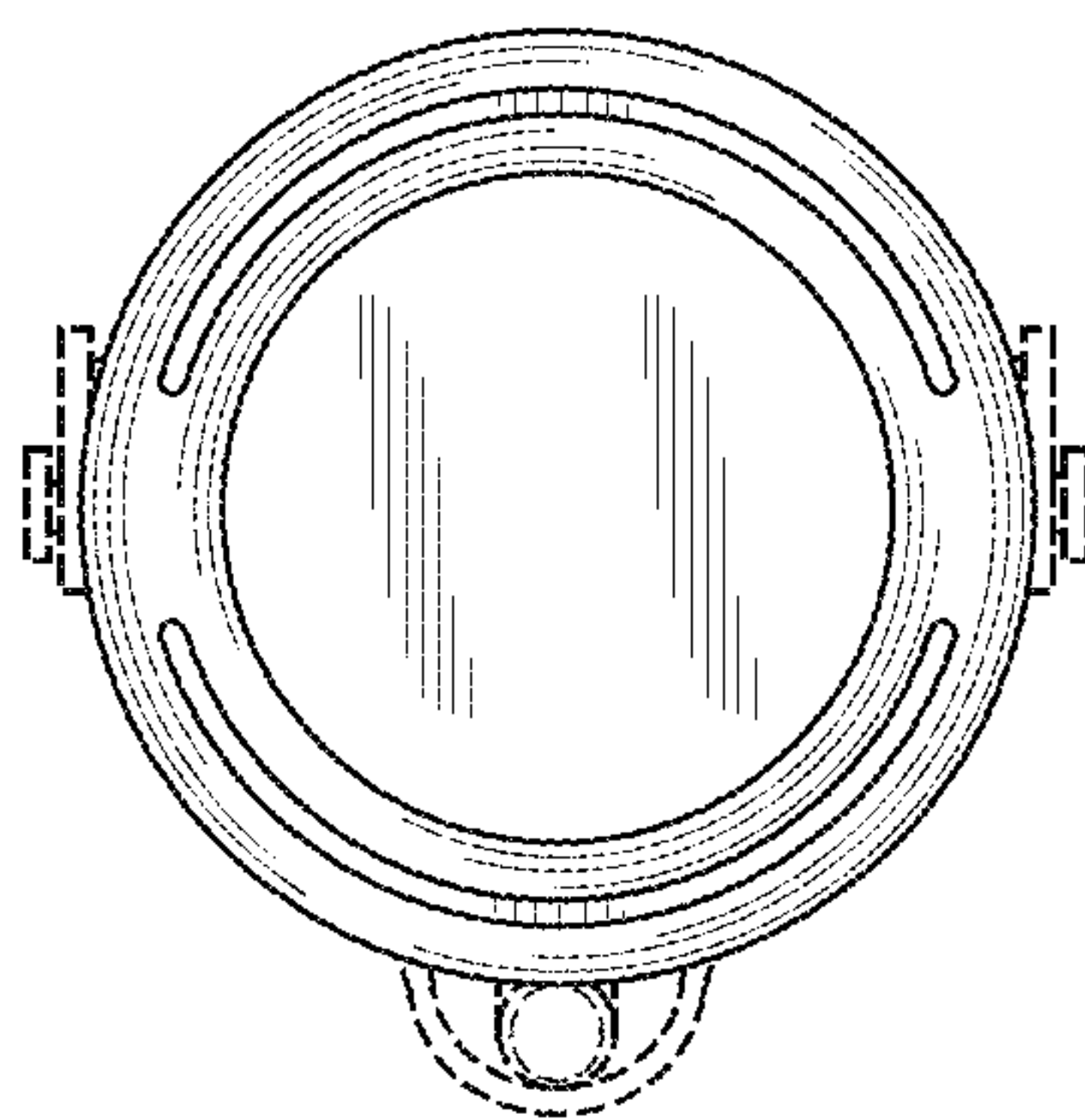


FIG. 7

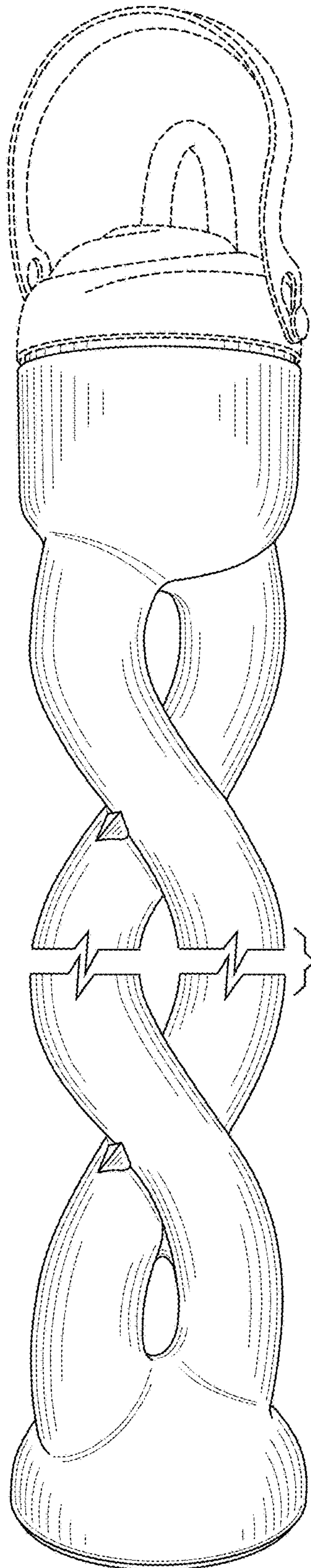


FIG. 8

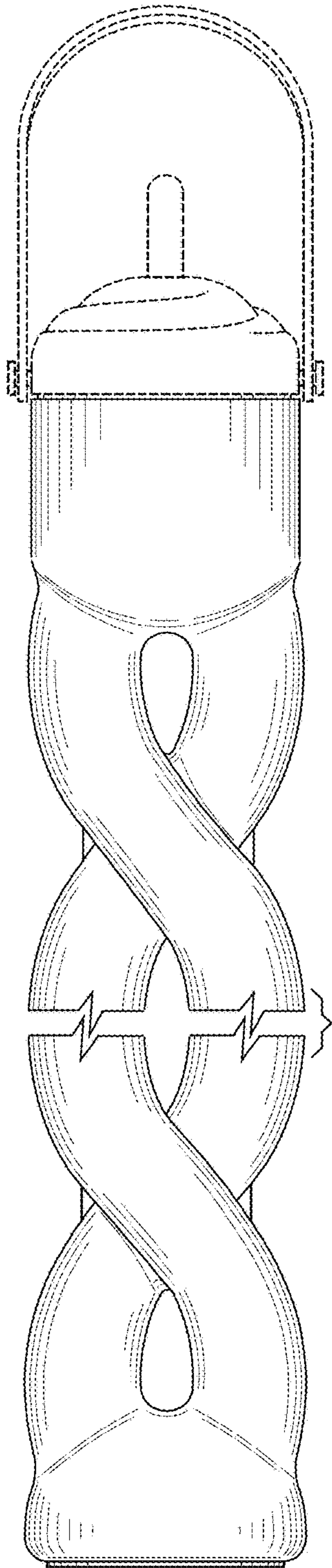


FIG. 9

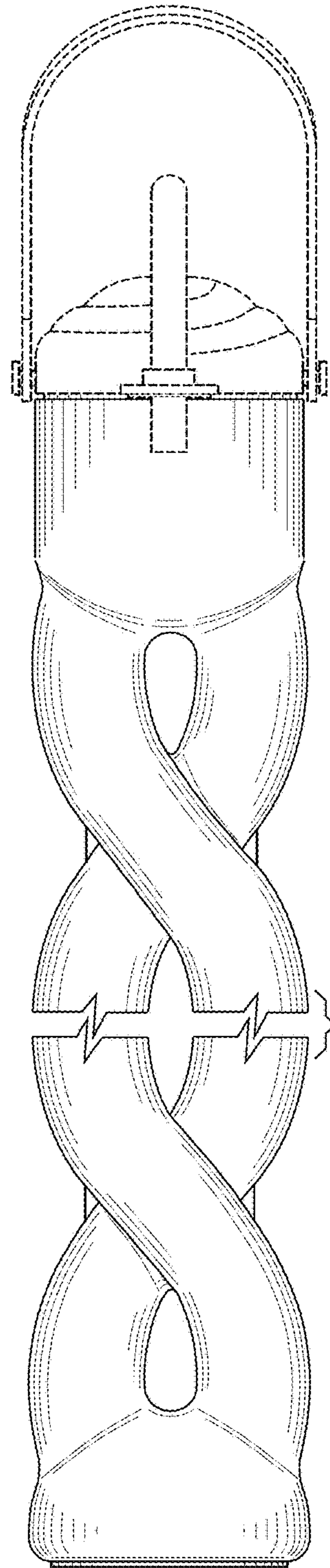


FIG. 10

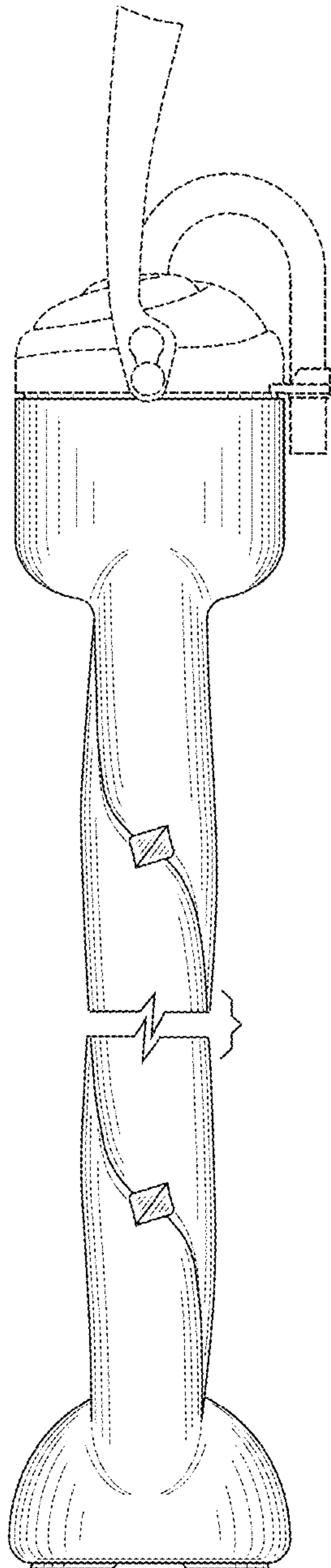


FIG. 11

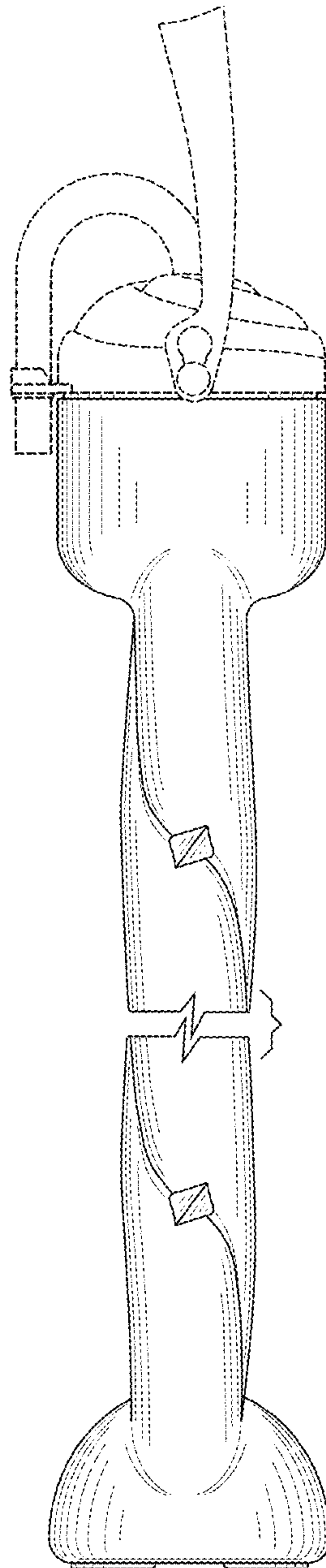


FIG. 12