



US00D787886S

(12) **United States Design Patent**
Cerasani

(10) **Patent No.:** **US D787,886 S**

(45) **Date of Patent:** **** May 30, 2017**

- (54) **STACKED SHAKER CUP**
- (71) Applicant: **Platinum Products, LLC**, Missoula, MT (US)
- (72) Inventor: **Anthony Cerasani**, Missoula, MT (US)
- (73) Assignee: **Platinum Products, LLC**, Missoula, MN (US)
- (**) Term: **15 Years**
- (21) Appl. No.: **29/544,085**
- (22) Filed: **Oct. 30, 2015**
- (51) **LOC (10) Cl.** **07-01**
- (52) **U.S. Cl.**
USPC **D7/510; D7/511; D7/536; D7/300.1; D7/532**
- (58) **Field of Classification Search**
USPC D7/509, 510, 511, 523, 529, 532, 533, D7/535, 536, 300, 300.1, 608, 629, 387, D7/304-315, 534, 396.1, 524, 537, 572, D7/392.1, 391; D9/503, 504, 531, 530, D9/566, 544, 549, 550, 553, 554, 516, D9/537, 454, 434, 560; 215/228, 229; 220/592.2, 592.16, 592.17; D23/202, D23/207; 99/281, 305, 307; 222/146.6; 141/247; D24/122; D3/202
CPC A47G 19/22; A47G 19/2227; A47G 19/02; A47G 19/025; A47G 19/2288; Y10S 220/903
See application file for complete search history.

(56) **References Cited**

U.S. PATENT DOCUMENTS

- 3,369,691 A * 2/1968 Wei A47J 47/14 206/503
- D398,193 S * 9/1998 Sanchez D7/608
- D518,336 S * 4/2006 Hirani D7/629

- D586,184 S * 2/2009 Miller D7/511
- D592,913 S * 5/2009 Pinelli D7/510
- D656,360 S * 3/2012 Miller D7/396.2
- 8,215,511 B1 * 7/2012 Lin B65D 39/08 215/228
- D686,885 S * 7/2013 Meyers D7/629
- D693,223 S * 11/2013 Walter D9/443
- D696,079 S * 12/2013 Meyers D7/629
- D700,012 S * 2/2014 Hurley D7/392.1
- D723,872 S * 3/2015 Kostler D7/510
- 9,120,598 B2 * 9/2015 Meyers B65D 21/022
- D742,699 S * 11/2015 Boroski D7/608
- D748,943 S * 2/2016 Miller D7/392.1
- D754,485 S * 4/2016 Lapsker D7/523
- D756,702 S * 5/2016 Joseph D7/392.1
- 9,492,024 B2 * 11/2016 Sorensen A47G 19/2205
- 2010/0200438 A1 * 8/2010 Davies B65D 21/083 206/223
- 2014/0360908 A1 * 12/2014 Sorensen B65D 21/0228 206/501

(Continued)

Primary Examiner — Marianne Pandozzi

Assistant Examiner — Jae Liang

(74) *Attorney, Agent, or Firm* — Seed IP Law Group LLP

(57) **CLAIM**

The ornamental design for a stacked shaker cup, as shown and described.

DESCRIPTION

FIG. 1 is an isometric view of a stacked shaker cup showing my new design;

FIG. 2 is a front elevational view thereof;

FIG. 3 is a rear elevational view thereof;

FIG. 4 is a right side elevational view thereof;

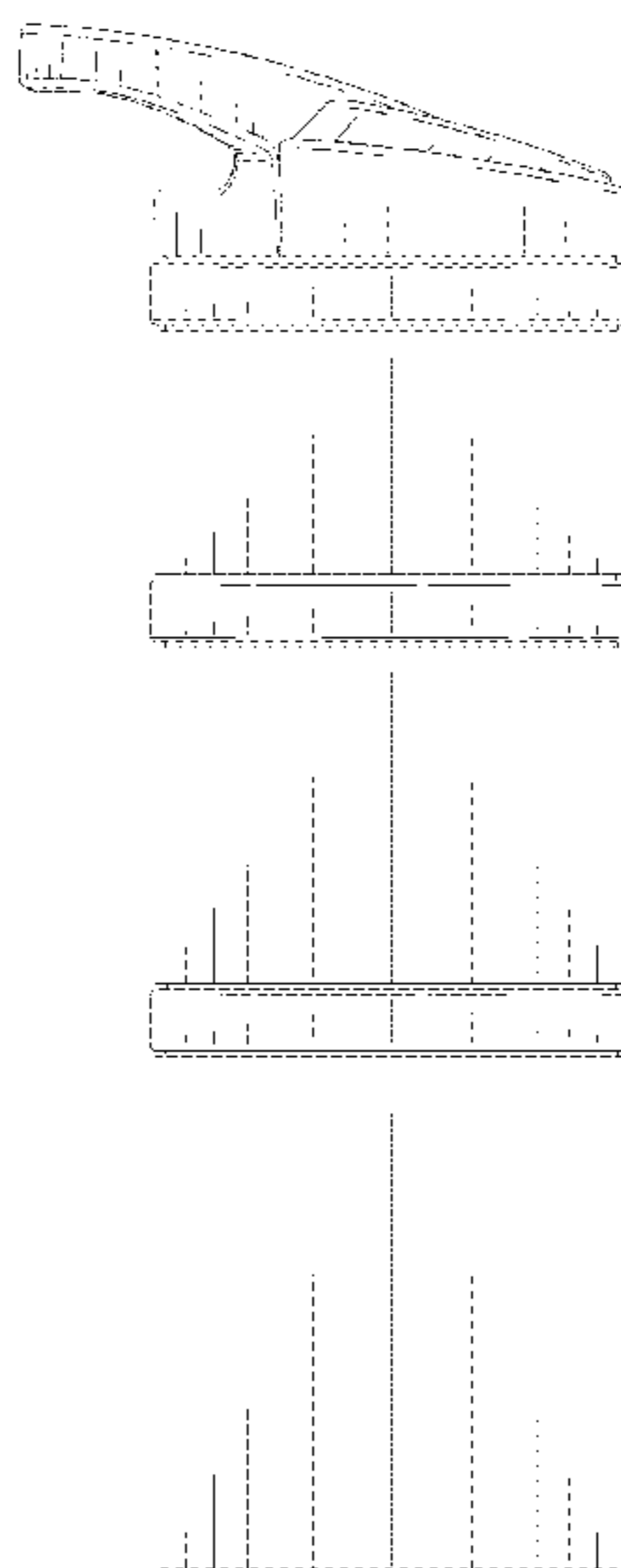
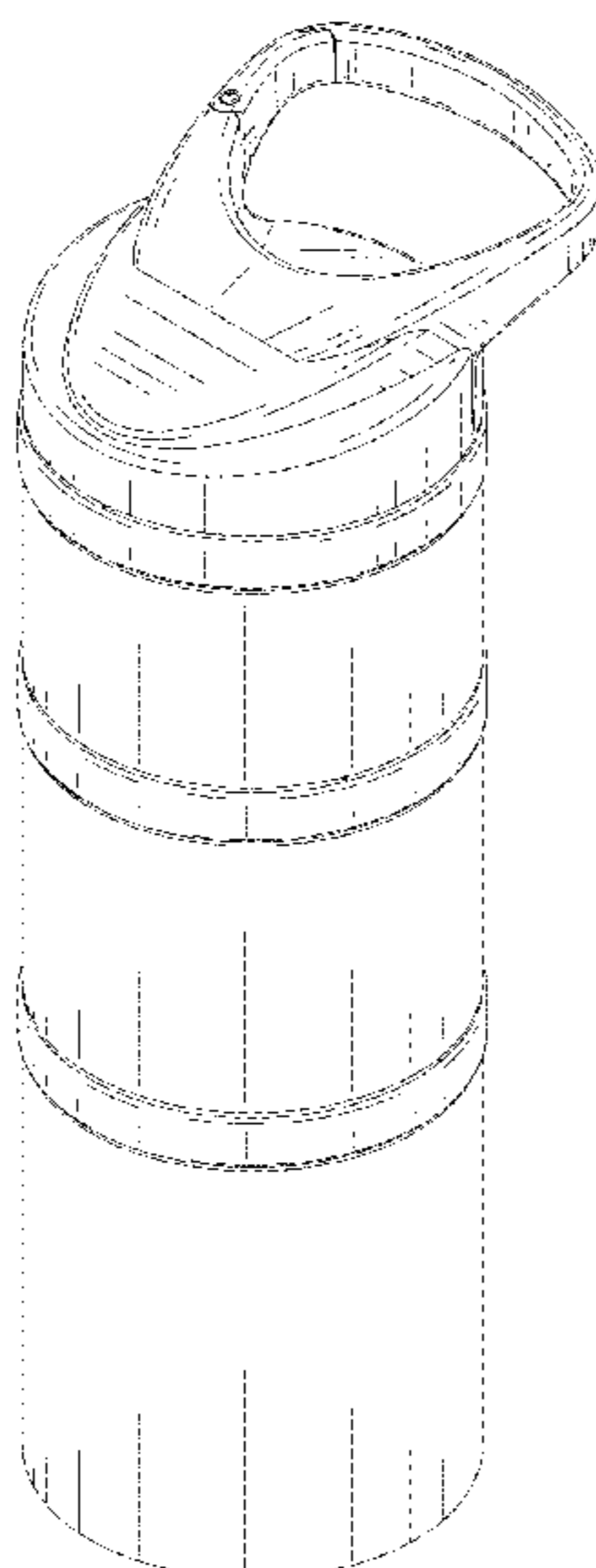
FIG. 5 is a left side elevational view thereof;

FIG. 6 is a top plan view thereof; and,

FIG. 7 is a bottom plan view thereof.

The broken lines in the drawing depict portions of the stacked shaker cup that form no part of the claimed design.

1 Claim, 6 Drawing Sheets



(56)

References Cited

U.S. PATENT DOCUMENTS

2015/0173539 A1* 6/2015 Mason A47G 19/2272
220/707

* cited by examiner

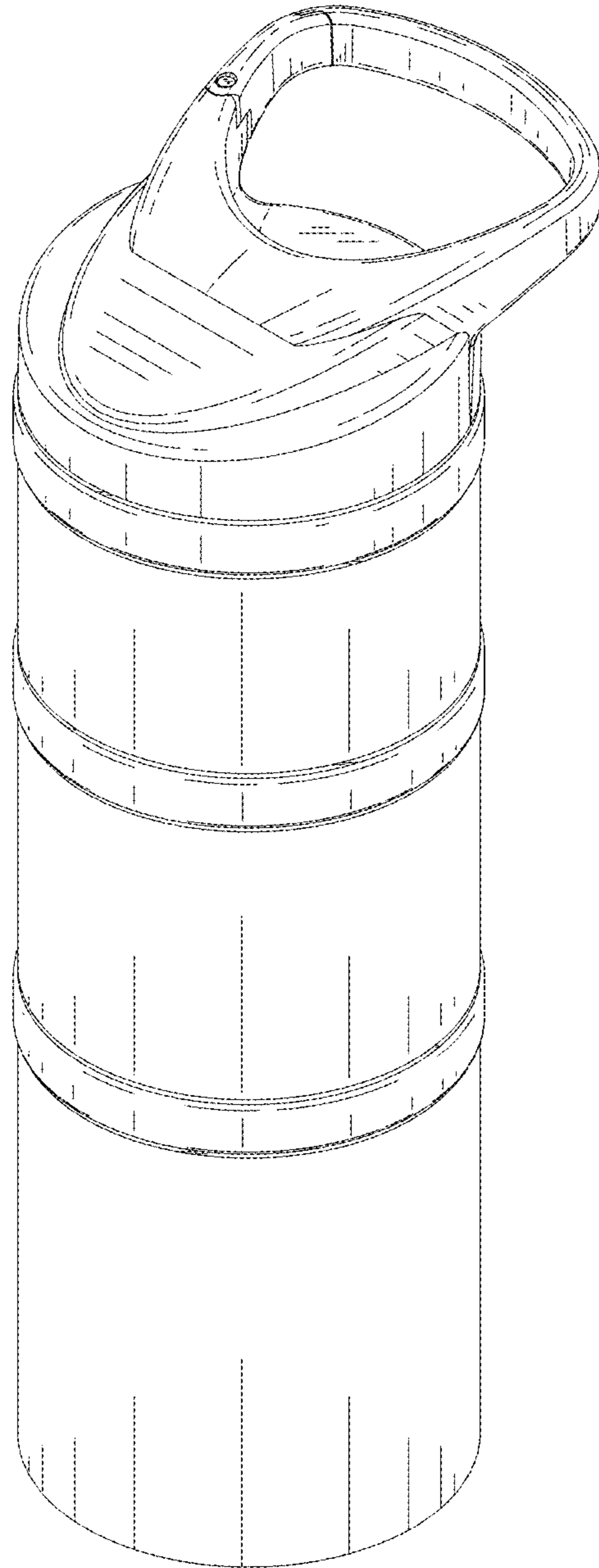


FIG. 1

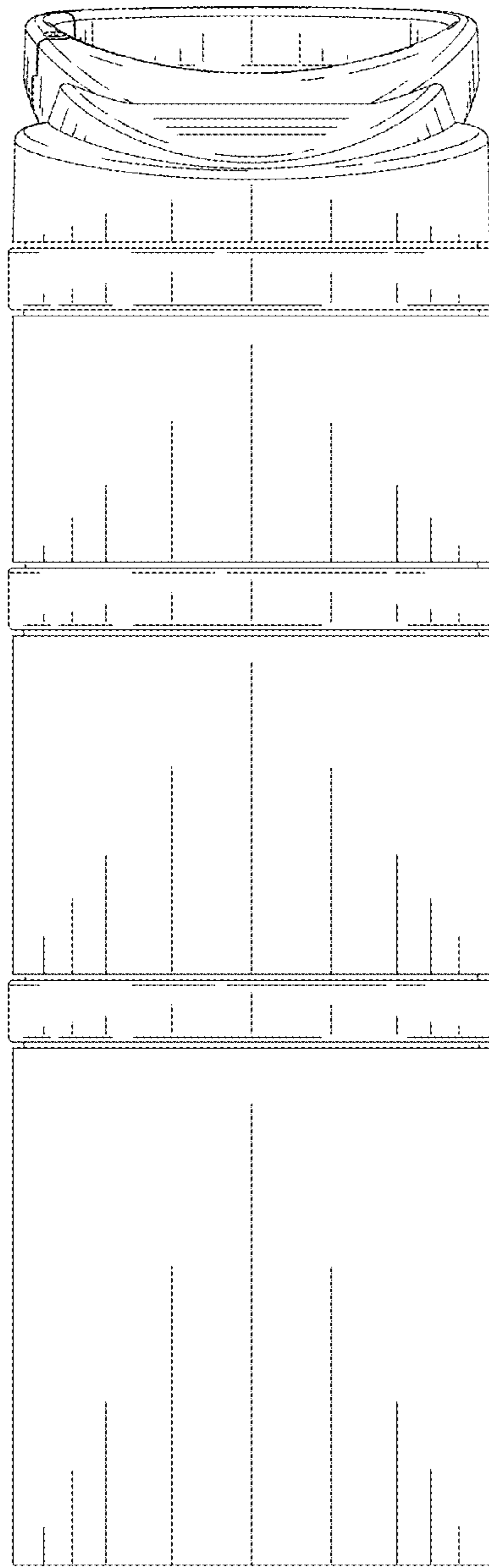


FIG. 2

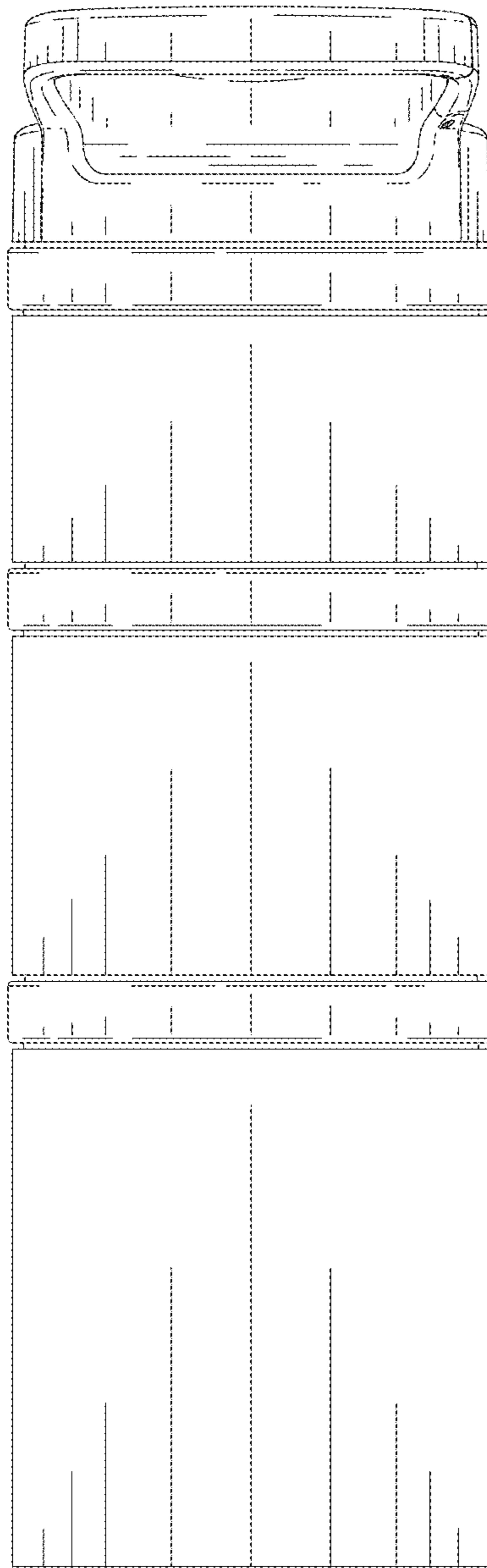


FIG. 3

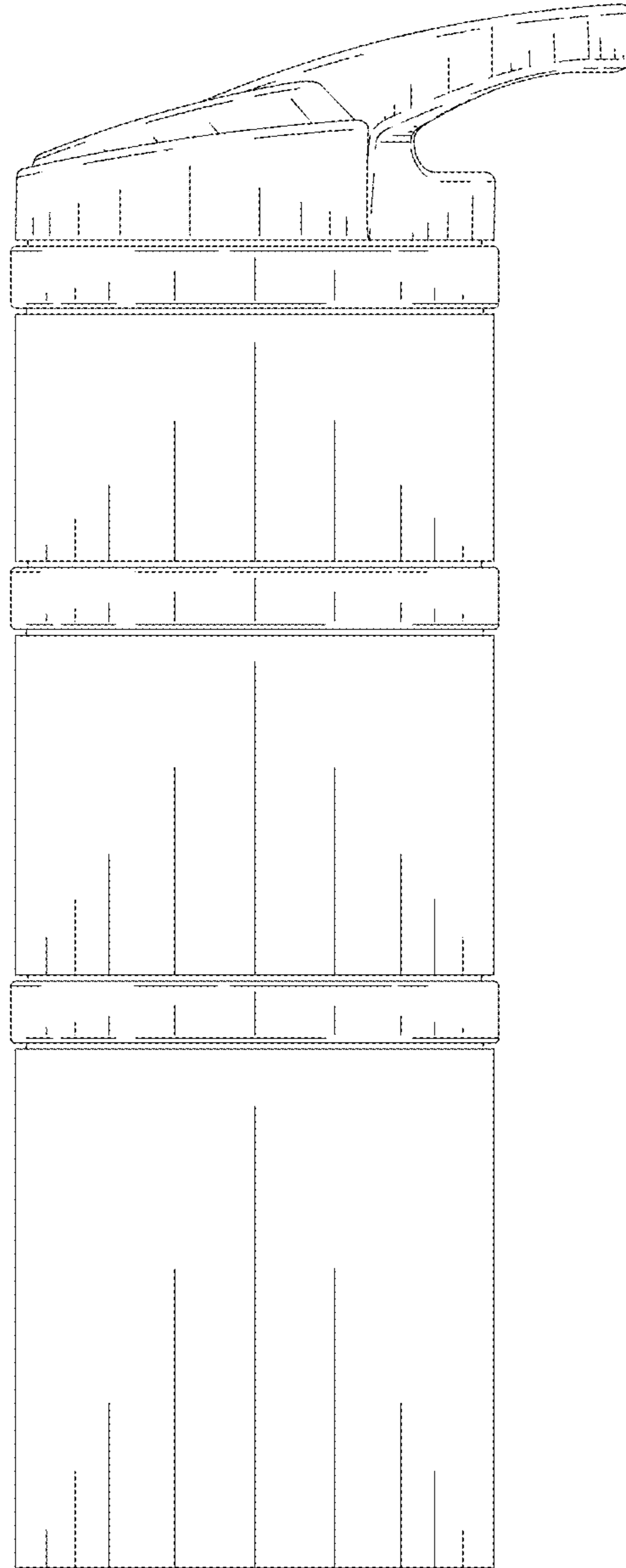


FIG. 4

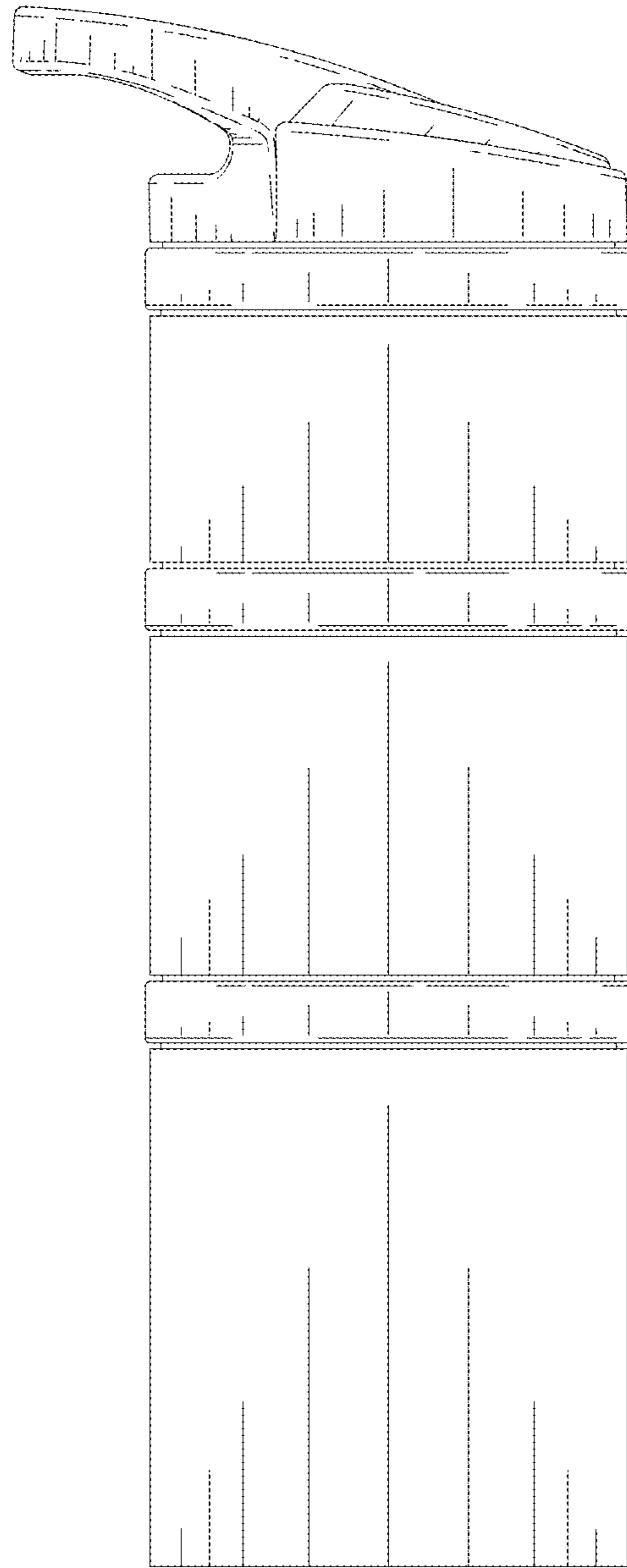


FIG. 5

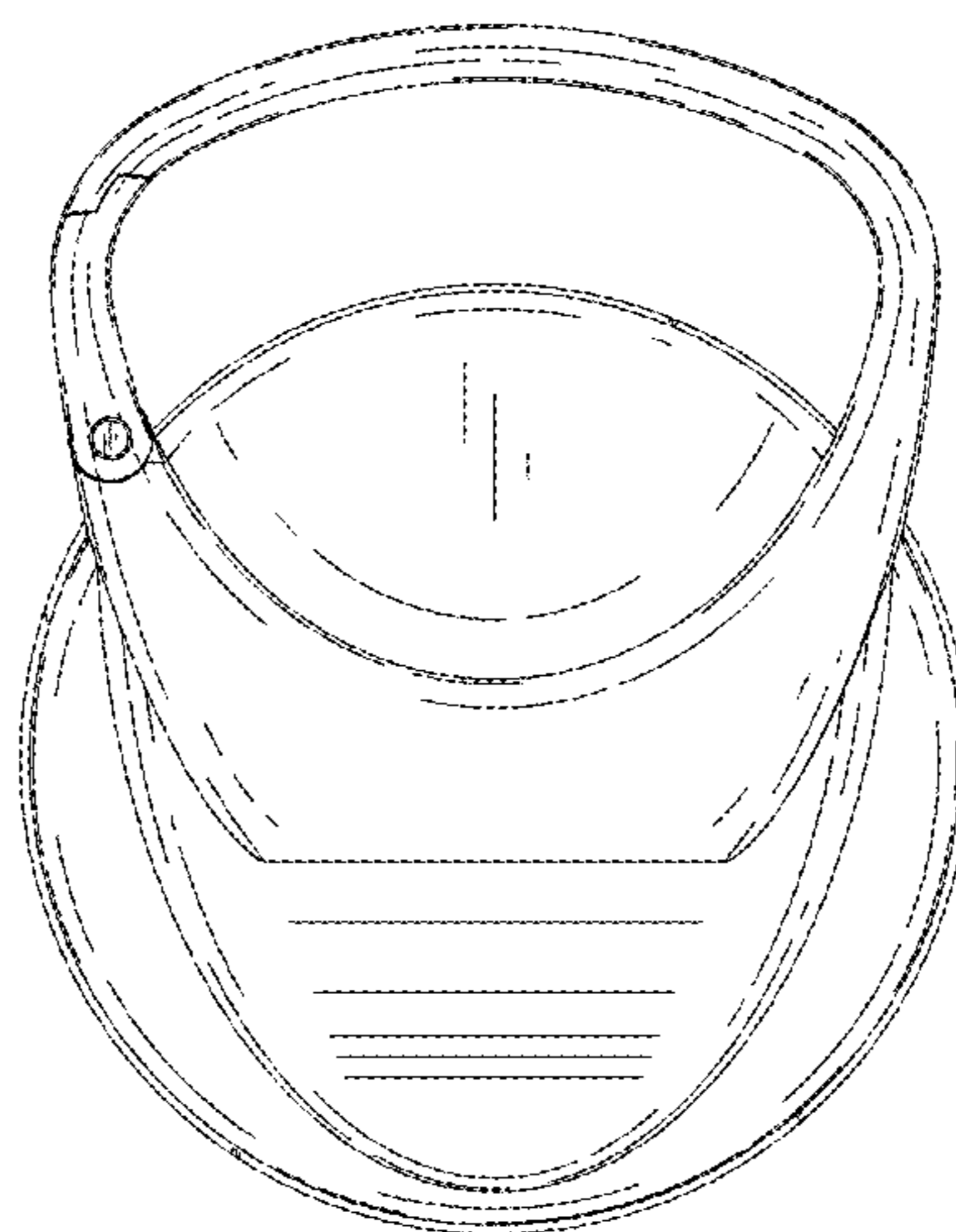


FIG. 6

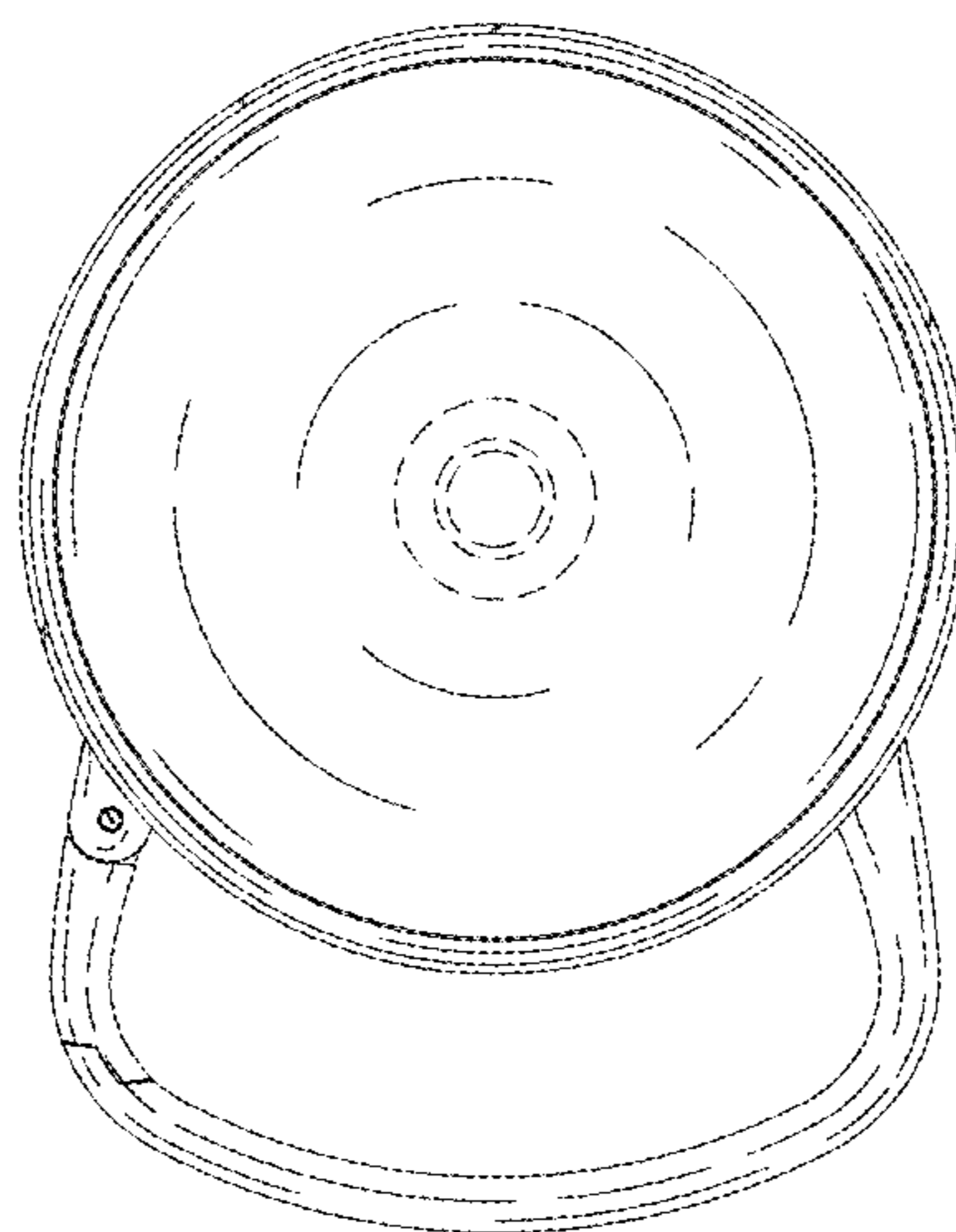


FIG. 7