



US00D787883S

(12) **United States Design Patent** (10) **Patent No.:** **US D787,883 S**  
**Tu** (45) **Date of Patent:** **\*\* May 30, 2017**

(54) **BLENDER ATTACHMENT**  
(71) Applicant: **SharkNinja Operating LLC**, Newton, MA (US)  
(72) Inventor: **Joyce Chien Tu**, Arlington, MA (US)  
(73) Assignee: **SHARKNINJA OPERATING, LLC**, Newton, MA (US)

D426,423 S \* 6/2000 Lee ..... D7/384  
D428,301 S \* 7/2000 Huang ..... D7/381  
D494,192 S \* 8/2004 Hirakawa ..... D15/7  
D507,578 S \* 7/2005 Hirakawa ..... D15/7  
7,044,051 B2 \* 5/2006 Le Rouzic ..... A47J 43/0716  
99/511  
7,063,009 B2 \* 6/2006 Lin ..... A47J 43/0766  
366/314

(\*\*) Term: **15 Years**

(21) Appl. No.: **29/528,395**

(22) Filed: **May 28, 2015**

(51) **LOC (10) Cl.** ..... **31-00**

(52) **U.S. Cl.**  
USPC ..... **D7/413; D7/376; D7/378; D7/412**

(58) **Field of Classification Search**  
USPC ..... D7/372, 376-386, 412-413, 602, 629,  
D7/665-666, 669, 679, 693-694;  
D15/82, 7; D21/662  
CPC .... A21C 1/02; A21C 1/04; A23N 1/00; A23N  
1/02; A47J 43/04; A47J 43/25; A47J  
43/27; A47J 43/042; A47J 43/044; A47J  
43/046; A47J 43/075; A47J 43/0716;  
A47J 43/0722; A47J 43/0727; A47J  
19/027; A47J 43/0766; B01F 3/00; B01F  
3/0807; B01F 3/0853; B01F 13/0059;  
B01F 13/0064; B02C 1/08; B02C 2/04;  
B02C 4/42; B02C 4/142; B02C 4/143;  
B02C 4/423; B02C 13/1835; B28C 5/10;  
B28C 5/12; B28C 5/14; B28C 5/16  
See application file for complete search history.

(56) **References Cited**

**U.S. PATENT DOCUMENTS**

4,081,144 A 3/1978 Bouillet  
D301,824 S \* 6/1989 Machuron ..... D7/378  
D343,987 S \* 2/1994 Rotte ..... D7/376  
D406,154 S \* 2/1999 Copland ..... D15/82  
D410,816 S \* 6/1999 Crescenzi ..... D7/384

(Continued)

**FOREIGN PATENT DOCUMENTS**

EP 1586259 A1 10/2005  
EP 2368470 A1 9/2011  
WO 2005013787 A1 2/2005

**OTHER PUBLICATIONS**

Application for Registration of an Industrial Design Examiners Report; Canadian Application No. 165376; Date of Mailing: Feb. 18, 2016; 3 Pages.

(Continued)

*Primary Examiner* — Ricky Pham  
(74) *Attorney, Agent, or Firm* — Cantor Colburn LLP

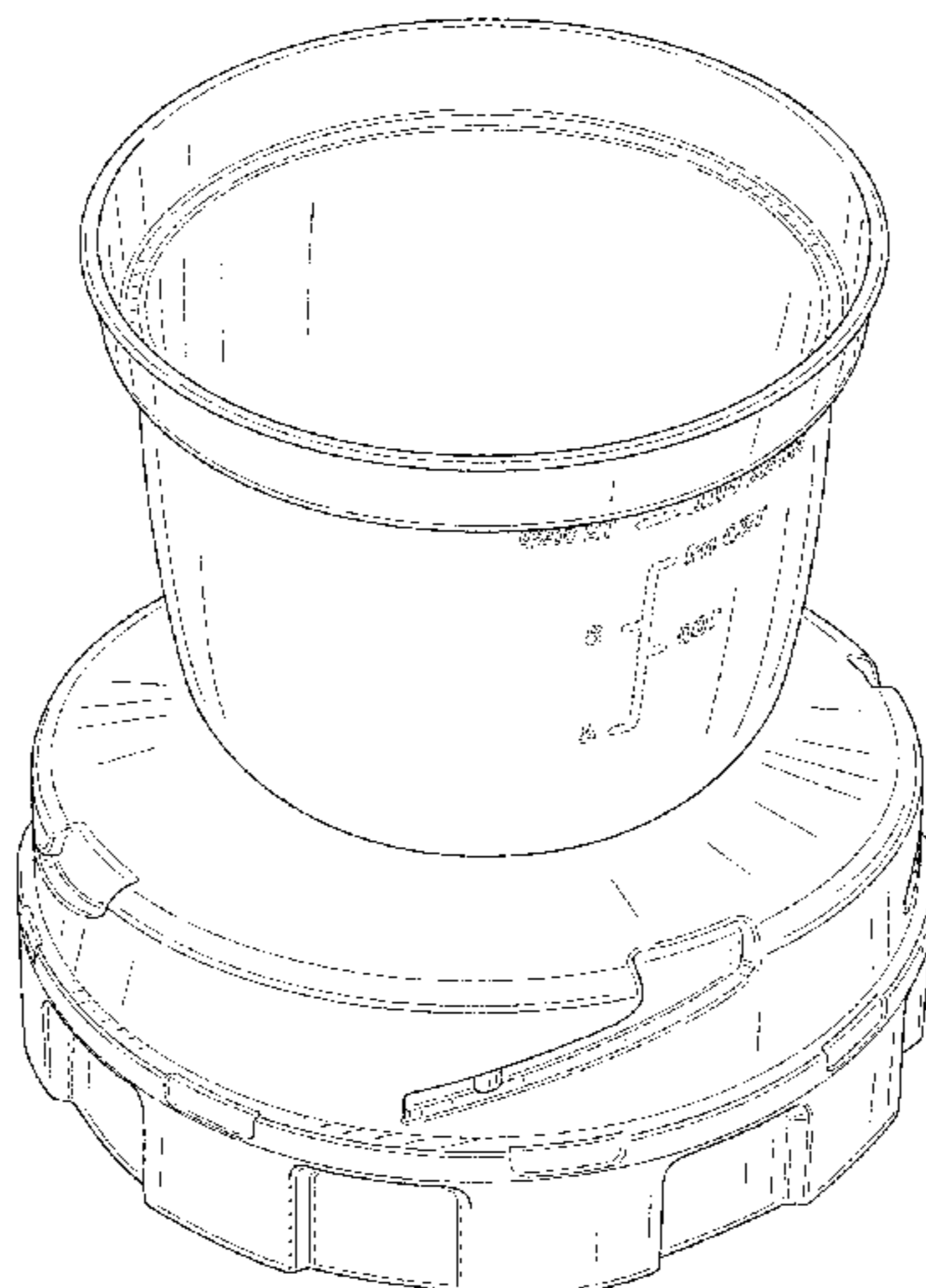
(57) **CLAIM**

The ornamental design for blender attachment, as shown and described.

**DESCRIPTION**

FIG. 1 is a perspective view of a blender attachment, showing my new design;  
FIG. 2 is a front view of FIG. 1;  
FIG. 3 is a side view of FIG. 1;  
FIG. 4 is rear view of FIG. 1;  
FIG. 5 is another side view of FIG. 1;  
FIG. 6 is a top view of FIG. 1; and,  
FIG. 7 is a bottom view of FIG. 1.  
The broken lines in the figures are for environmental purposes only and form no part of the claimed design.

**1 Claim, 7 Drawing Sheets**



(56)

References Cited

U.S. PATENT DOCUMENTS

D545,126 S	6/2007	White	
7,318,666 B1 *	1/2008	Lin	A47J 43/0766 241/37.5
8,087,603 B2 *	1/2012	Kolar	A47J 43/0716 181/198
D655,981 S *	3/2012	Gursel	D7/376
8,387,520 B2 *	3/2013	Backus	A47J 19/027 241/37.5
D692,275 S *	10/2013	Audette	D7/376
D696,063 S *	12/2013	Coakley	D7/376
D730,681 S *	6/2015	Smith	D7/376
D731,850 S *	6/2015	Smith	D7/376
9,084,508 B2 *	7/2015	Sandford	A47J 43/0722
D760,331 S *	6/2016	Gilchrist	D21/662
2016/0345779 A1	12/2016	Tu	

OTHER PUBLICATIONS

International Search Report; International Application No. PCT/US2016/034555; International Filing Date: May 27, 2016; Date of Mailing: Aug. 17, 2016; 7 Pages.  
 JPO Publicly Known Design No. HA24003661—Croissant, No. 11, vol. 36, May 25, 2012, 3 Pages.  
 JPO Publicly Known Design No. HJ22059623—Cuisinart SG-10 Electric Spice-and-Nut Grinder (Certified Refurbished), amazon.com, Date Printed: Nov. 14, 2016, 1 Page.  
 Notice of Allowance; Japanese Application No. 2015-026735; Date of Mailing: Mar. 4, 2016; 2 Pages.  
 Notice of Allowance; Japanese Application No. 2015-026737; Date of Mailing: Mar. 4, 2016; 2 Pages.  
 Notice of Allowance; Japanese Application No. 2015-026738; Date of Mailing: Mar. 4, 2016; 2 Pages.

Notice of Completion of Formalities for Patent Register; Chinese Application No: 2015304854707; Date of Mailing: Mar. 23, 2016; 4 Pages.

Notice of Completion of Formalities for Patent Register; Chinese Application No. 2015304861132; Date of Mailing: Mar. 18, 2016; 3 Pages.

Notice of Decision for Design Registration; Korean Application No. 30-2015-0059376\_M001; Date of Mailing: Jun. 29, 2016; 6 Pages.

Notice of Decision for Design Registration; Korean Application No. 30-2015-0059376\_M002; Date of Mailing: Jun. 29, 2016; 6 Pages.

Notice of Decision for Design Registration; Korean Application No. 30-2015-0059376\_M003; Date of Mailing: Jun. 29, 2016; 6 Pages.

Notice of Decision for Design Registration; Korean Application No. 30-2015-0059376\_M004; Date of Mailing: Jun. 29, 2016; 6 Pages.

Notice of References; Japanese Application No. 2015-026735; Date of Mailing: Mar. 4, 2016; 2 Pages.

Notice of References; Japanese Application No. 2015-026738; Date of Mailing: Mar. 4, 2016; 2 Pages.

Notification of Reasons for Rejection; Japanese Application No. 2015-026736; Date of Mailing: Mar. 4, 2016; 4 Pages.

Office Action; Korean Application No. 30-2015-0059376\_M001; Date of Mailing: Mar. 23, 2016; 4 Pages.

Office Action; Korean Application No. 30-2015-0059376\_M002; Date of Mailing: Mar. 23, 2016; 5 Pages.

Office Action; Korean Application No. 30-2015-0059376\_M003; Date of Mailing: Mar. 23, 2016; 5 Pages.

Office Action; Korean Application No. 30-2015-0059376\_M004; Date of Mailing: Mar. 23, 2016; 5 Pages.

Optima—Blenders; URL Accessed: <http://optimahome.net/appliances/>; Date Accessed: May 26, 2016; 1 Page.

Written Opinion of the International Searching Authority; International Application No. PCT/US2016/034555; International Filing Date: May 27, 2016; Date of Mailing: Aug. 17, 2016; 6 Pages.

\* cited by examiner

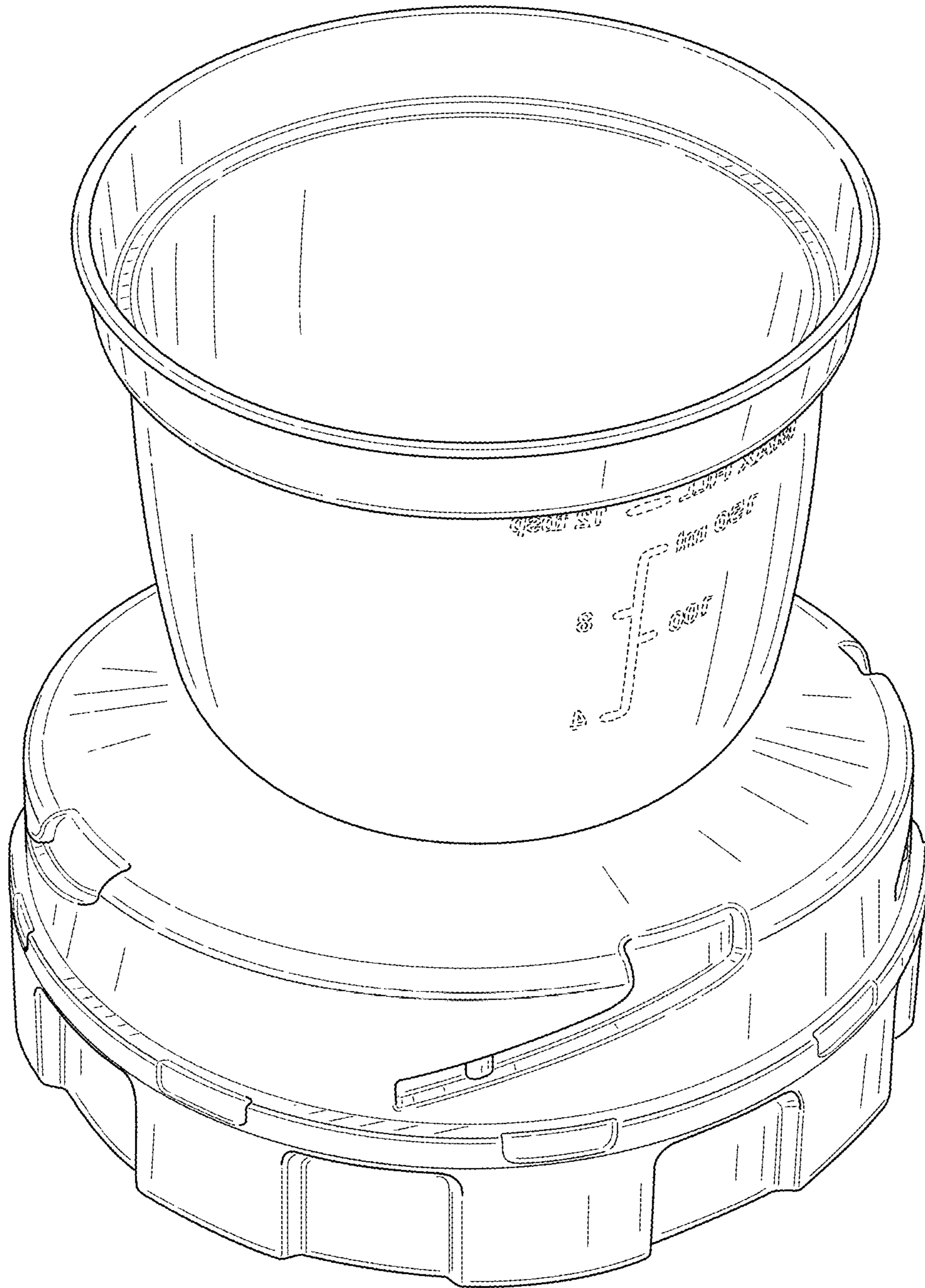
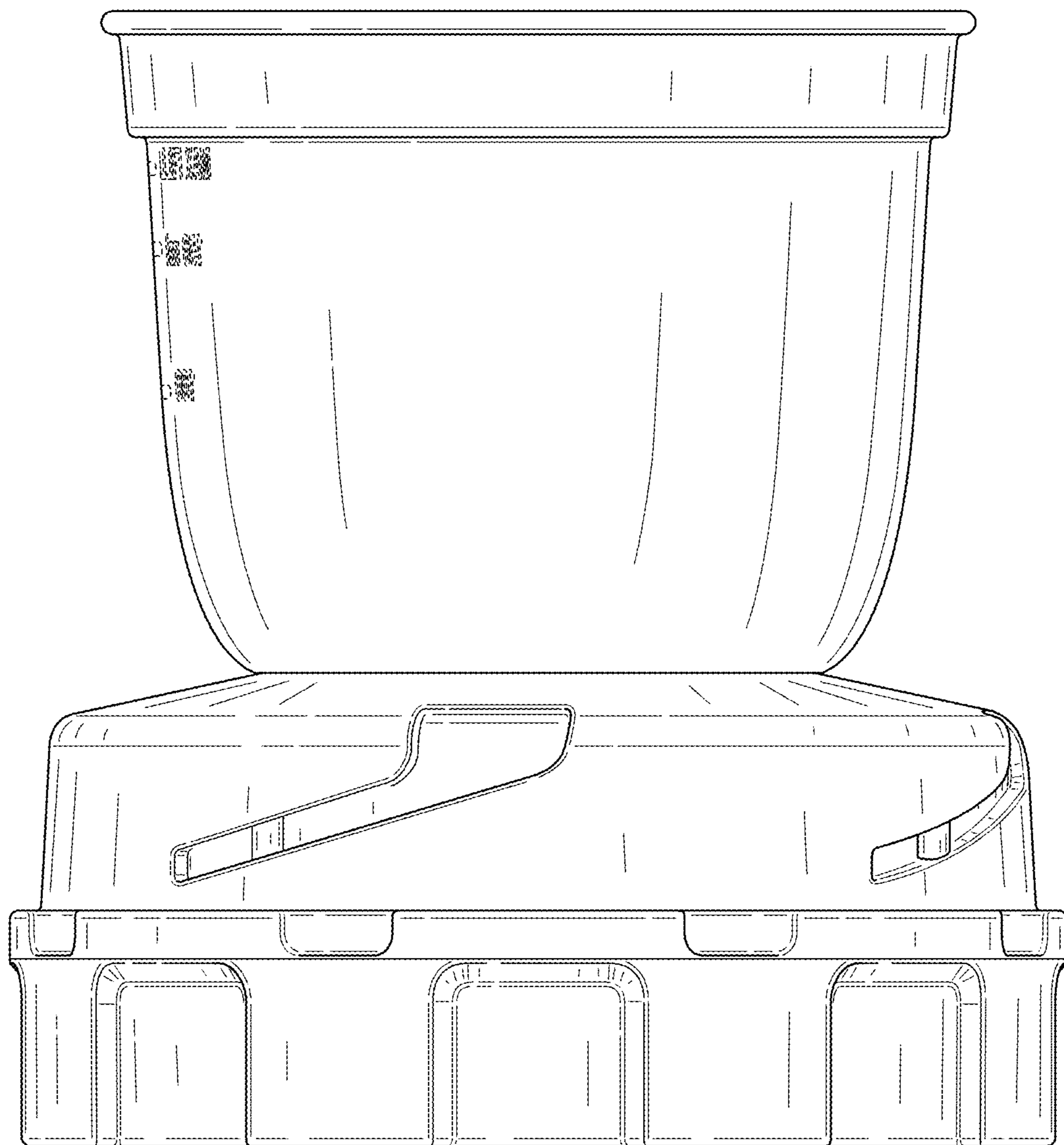


FIG. 1







**FIG. 3**

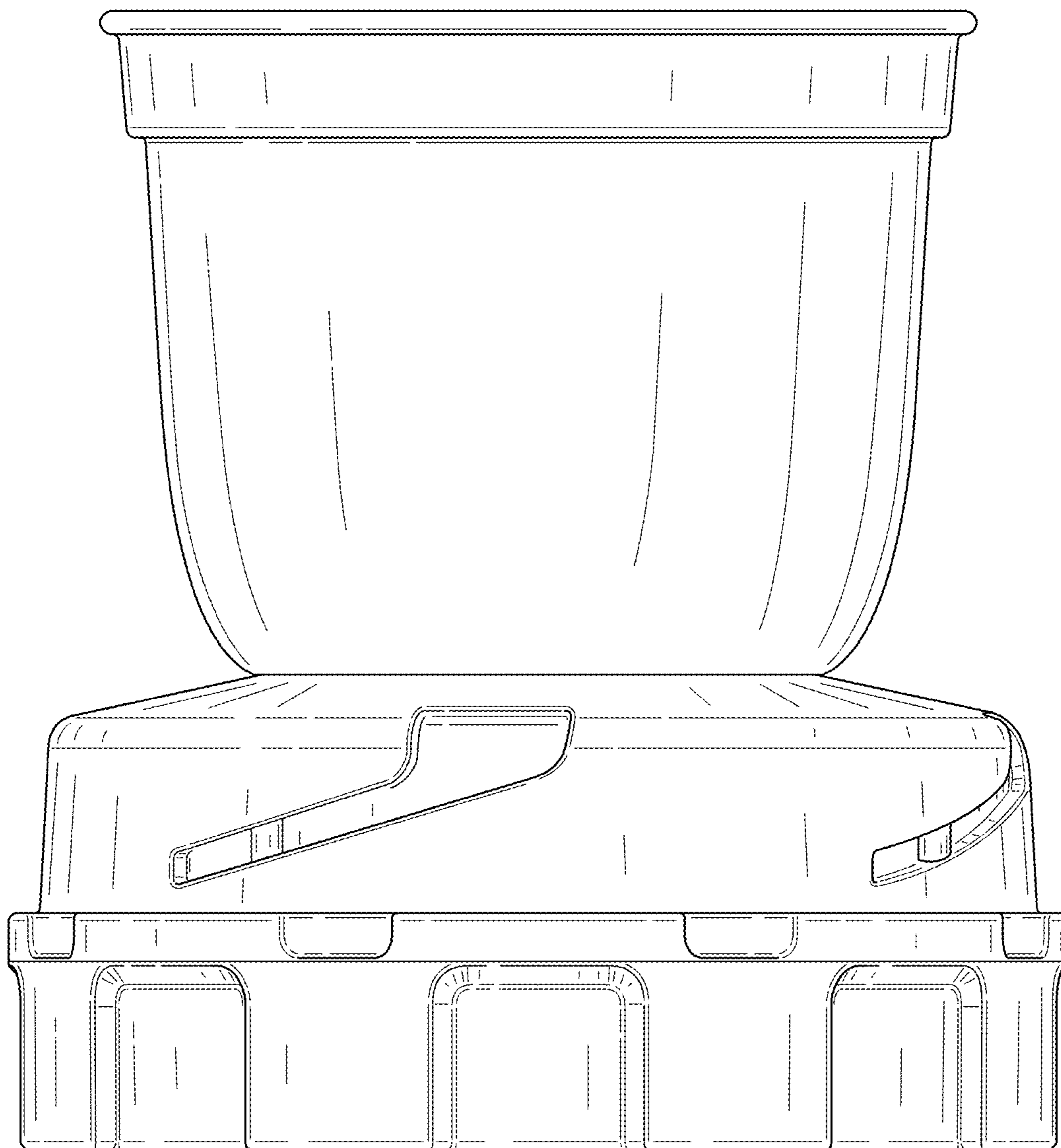


FIG. 4

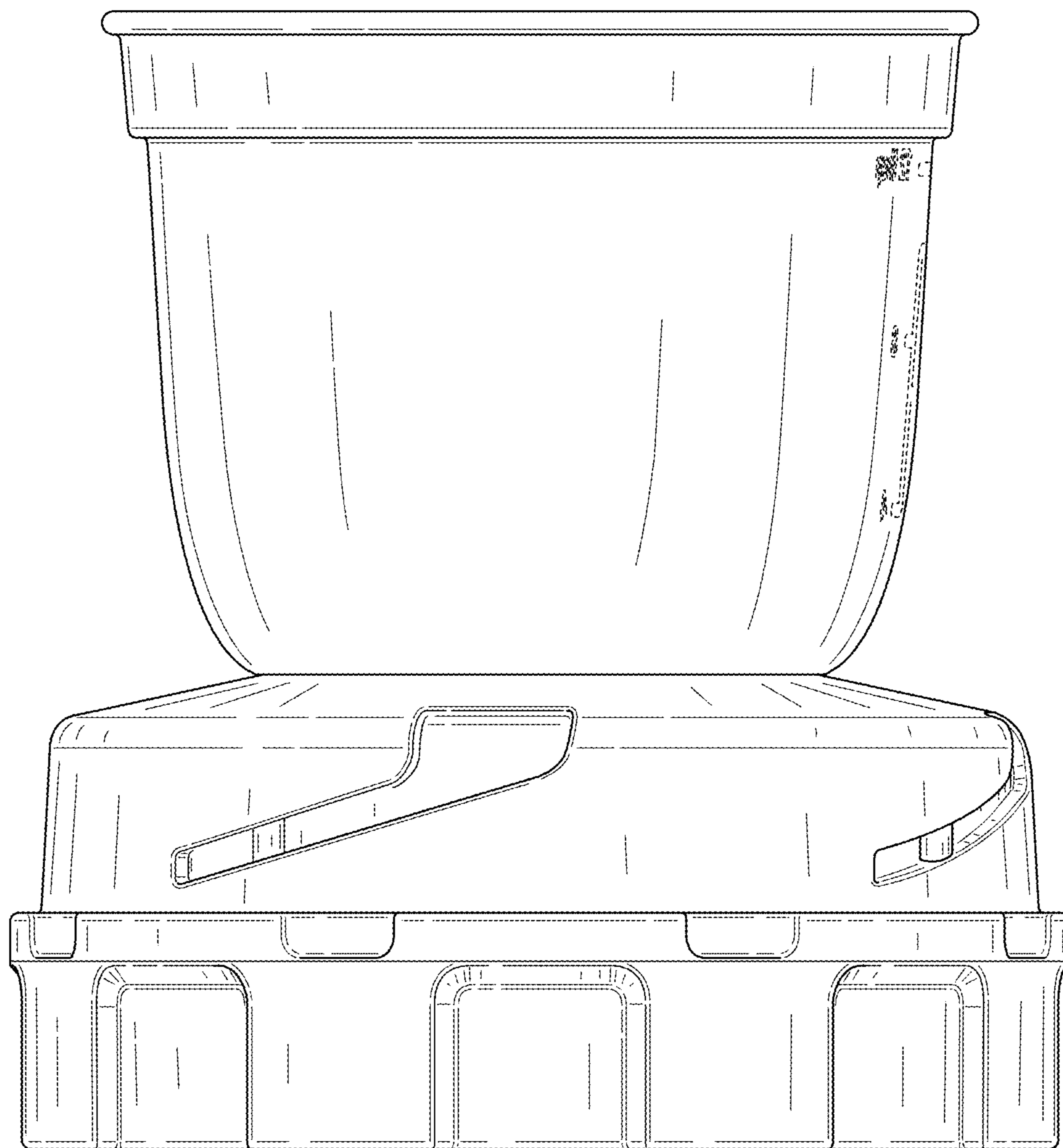


FIG. 5



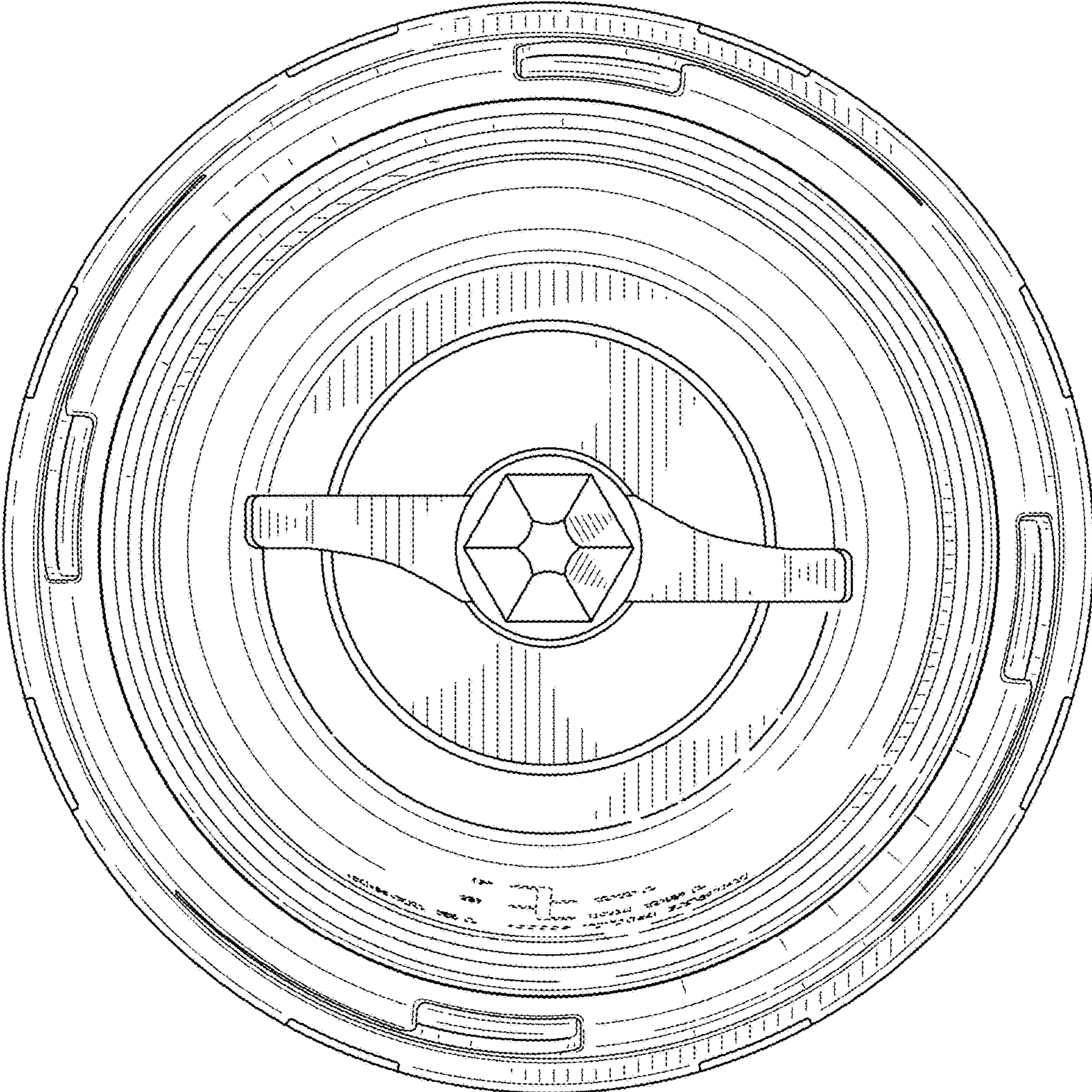


FIG. 6



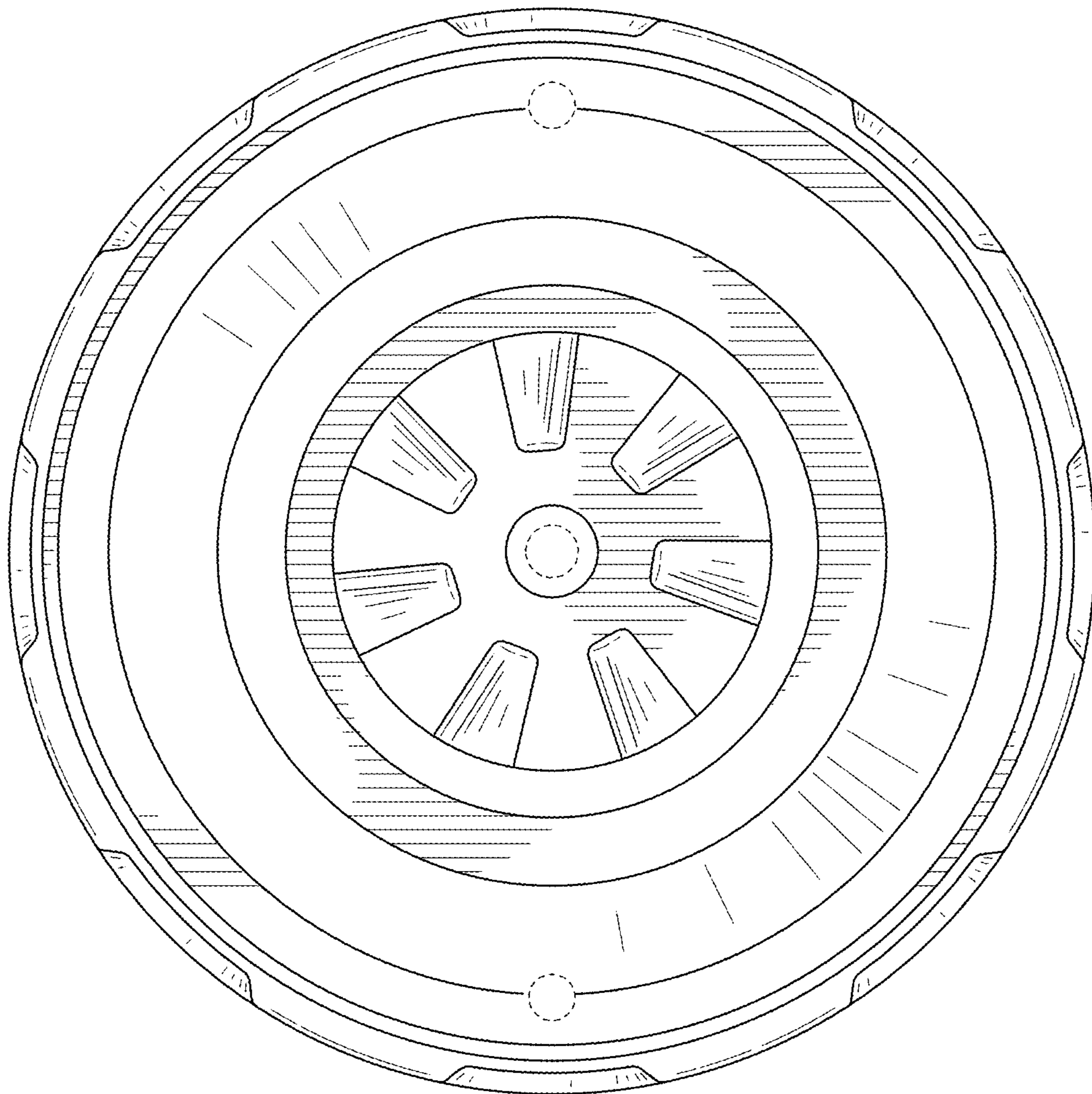


FIG. 7