



US00D787882S

(12) **United States Design Patent** (10) **Patent No.:** **US D787,882 S**  
**McConnell et al.** (45) **Date of Patent:** **\*\* May 30, 2017**

(54) **BLENDER AND ENCLOSURE**

(56) **References Cited**

- (71) Applicant: **WHIRLPOOL CORPORATION**,  
Benton Harbor, MI (US)
- (72) Inventors: **John W. McConnell**, St. Joseph, MI  
(US); **Brandon T. Mock**, St. Joseph,  
MI (US); **Zhaoyi Yin**, Benton Harbor,  
MI (US)
- (73) Assignee: **Whirlpool Corporation**, Benton  
Harbor, MI (US)
- (\*\*) Term: **15 Years**
- (21) Appl. No.: **29/579,847**
- (22) Filed: **Oct. 4, 2016**

U.S. PATENT DOCUMENTS

D432,864 S *	10/2000	Kindig .....	D7/412
D466,761 S *	12/2002	Baerenrodt .....	D7/378
6,571,908 B2 *	6/2003	Bohannon .....	A47J 43/0716 160/201
D528,364 S *	9/2006	Kolar .....	D7/413
D557,976 S *	12/2007	Olson .....	D7/378
D560,963 S *	2/2008	Alzheimer .....	D7/378
D592,903 S *	5/2009	Olson .....	D7/376
D637,862 S *	5/2011	Fouquet .....	D7/376
D761,617 S *	7/2016	Dennisur .....	D7/376
D770,225 S *	11/2016	McConnell .....	D7/376

(Continued)

Primary Examiner — Ricky Pham

(57) **CLAIM**

We claim the ornamental design for a blender and enclosure, as shown and described.

**DESCRIPTION**

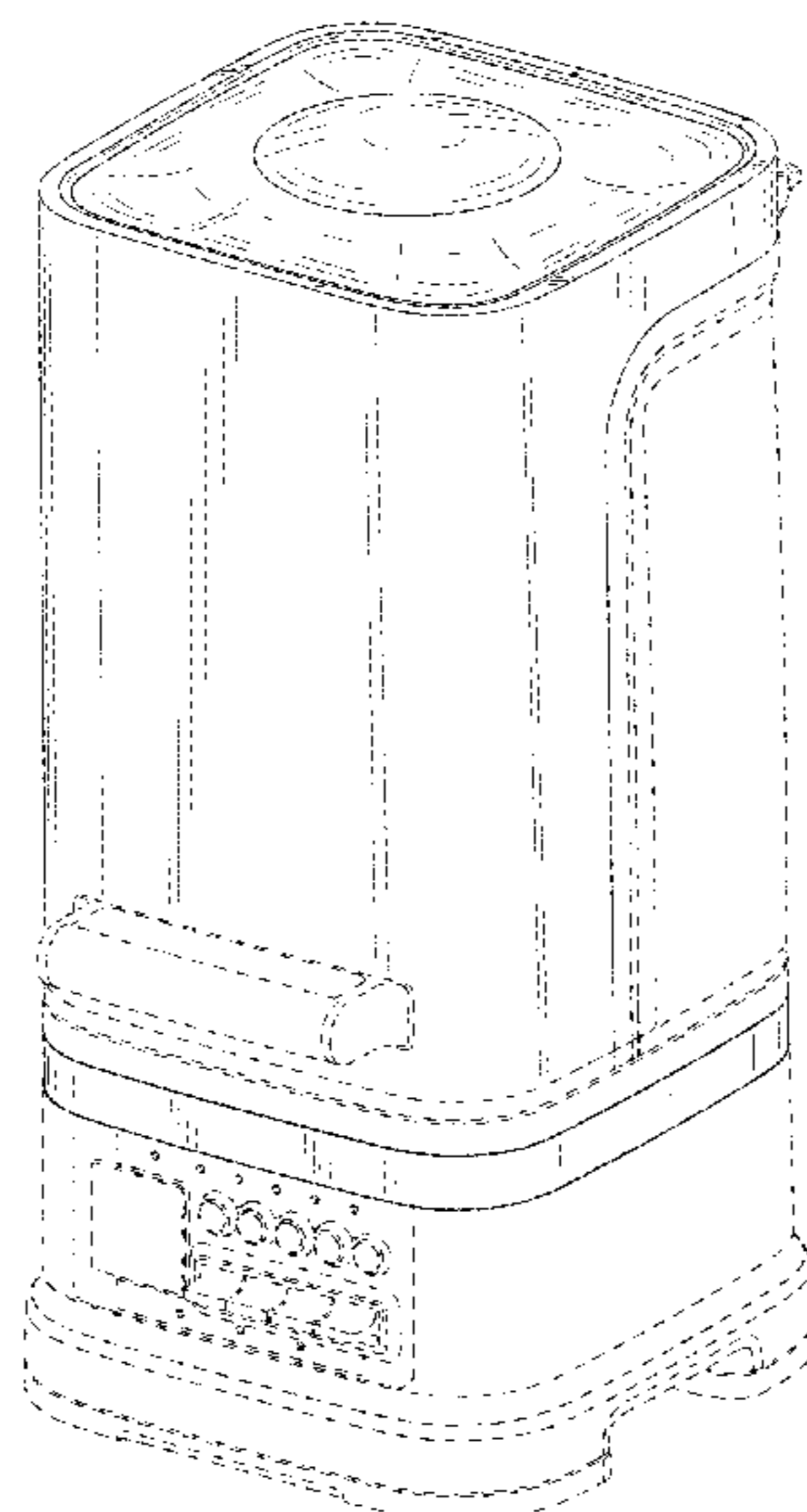
FIG. 1 is a front perspective view of the blender and enclosure of the present invention;  
 FIG. 2 is a rear perspective view of the blender and enclosure of FIG. 1;  
 FIG. 3 is a front elevation view of the blender and enclosure of FIG. 1;  
 FIG. 4 is a rear elevation view of the blender and enclosure of FIG. 1;  
 FIG. 5 is a first-side elevation view of the blender and enclosure of FIG. 1;  
 FIG. 6 is a second-side elevation view of the blender and enclosure of FIG. 1;  
 FIG. 7 is a top plan view of the blender and enclosure of FIG. 1; and,  
 FIG. 8 is a bottom plan view of the blender and enclosure of FIG. 1.  
 The broken lines shown in the drawings are for illustrative purposes only and form no part of the claimed design.

**Related U.S. Application Data**

- (62) Division of application No. 29/519,326, filed on Mar. 4, 2015, now Pat. No. Des. 770,225.
- (51) **LOC (10) Cl.** ..... **31-00**
- (52) **U.S. Cl.**  
USPC ..... **D7/378**; D7/376; D7/386; D7/412
- (58) **Field of Classification Search**  
USPC ..... D7/372, 376–386, 412–413, 602, 629,  
D7/665–666, 669, 679, 693–694  
CPC .... A21C 1/02; A21C 1/04; A23N 1/00; A23N  
1/02; A47J 43/04; A47J 43/25; A47J  
43/27; A47J 43/042; A47J 43/044; A47J  
43/046; A47J 43/075; A47J 43/0716;  
A47J 43/0722; A47J 43/0727; B01F 3/00;  
B01F 3/0807; B01F 3/0853; B01F  
13/0059; B01F 13/0064; B02C 1/08;  
B02C 2/04; B02C 4/42; B02C 4/142;  
B02C 4/143; B02C 4/423; B02C 13/1835;  
B28C 5/10; B28C 5/12; B28C 5/14;  
B28C 5/16

See application file for complete search history.

**1 Claim, 7 Drawing Sheets**



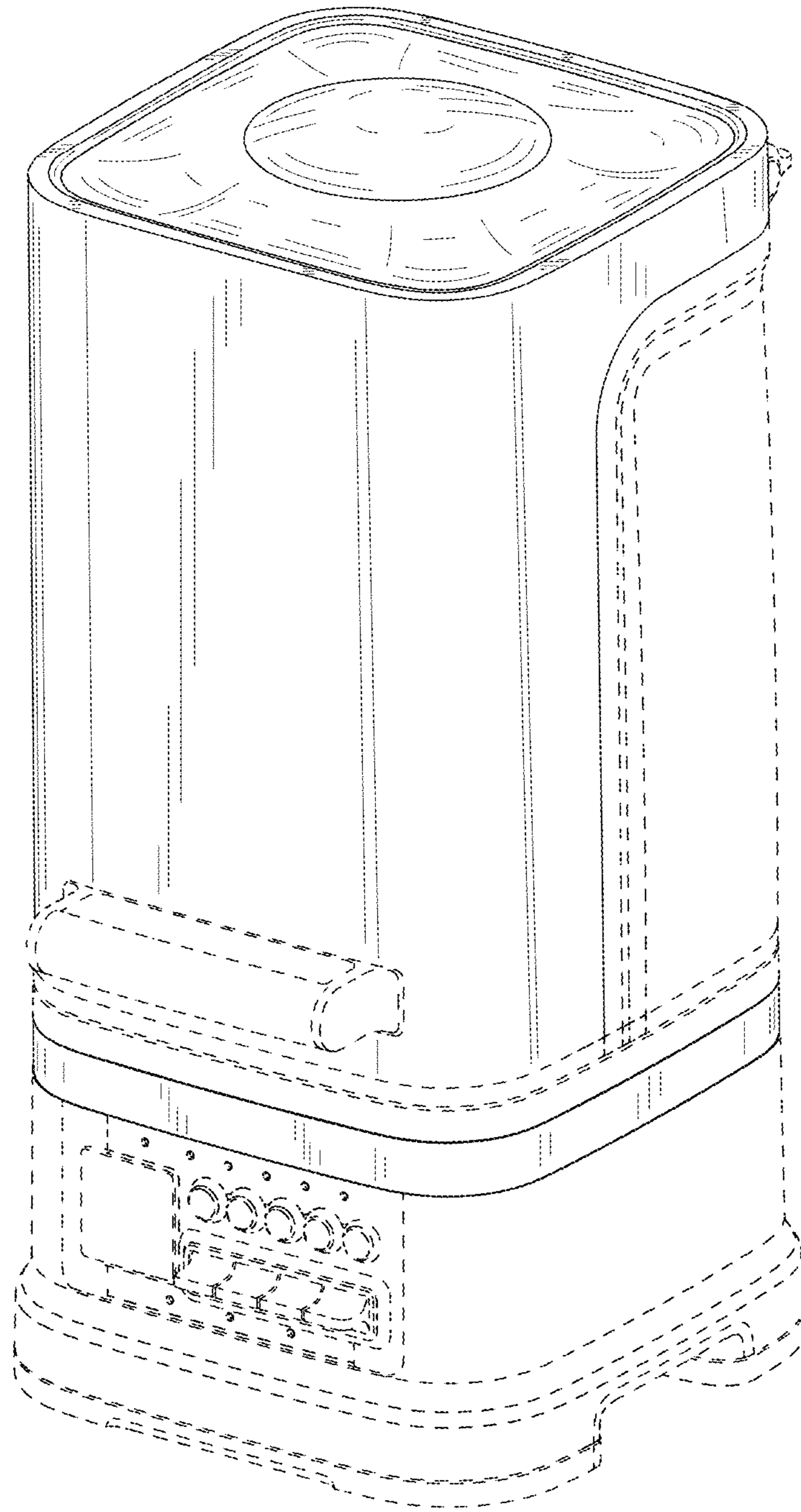
(56)

**References Cited**

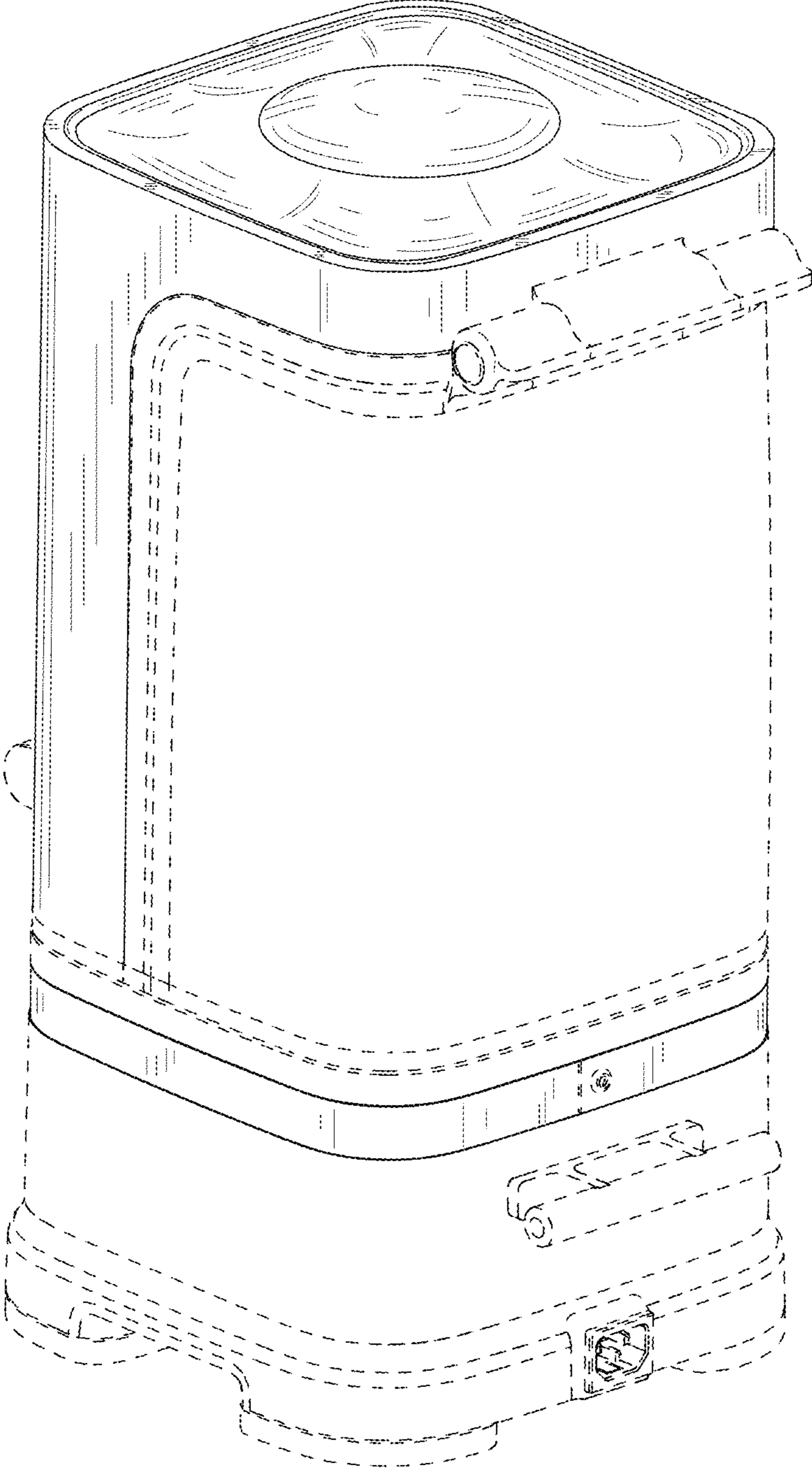
U.S. PATENT DOCUMENTS

D770,226 S \* 11/2016 McConnell ..... D7/376  
D772,008 S \* 11/2016 McConnell ..... D7/376  
D772,009 S \* 11/2016 McConnell ..... D7/376

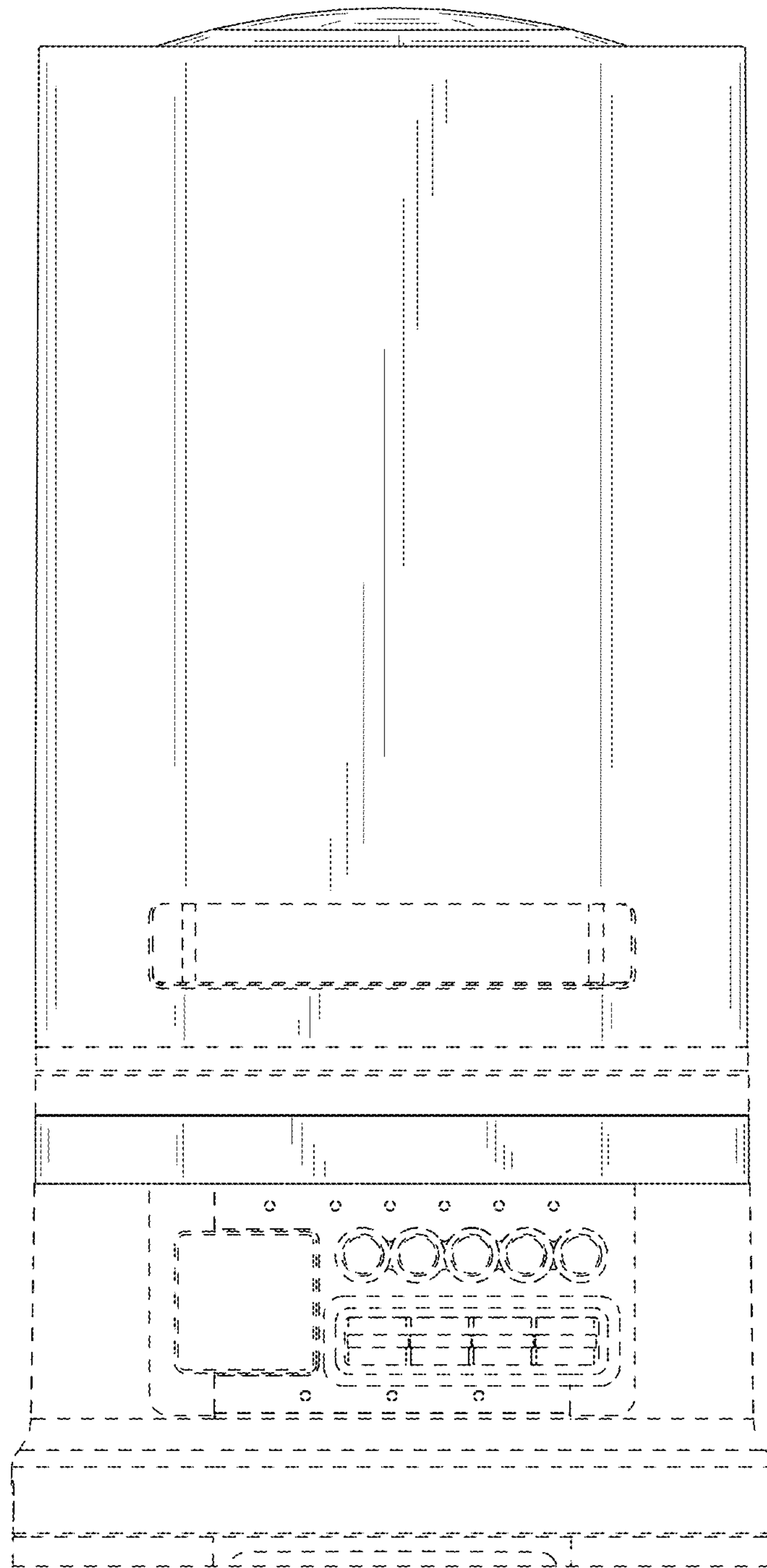
\* cited by examiner



**FIG. 1**

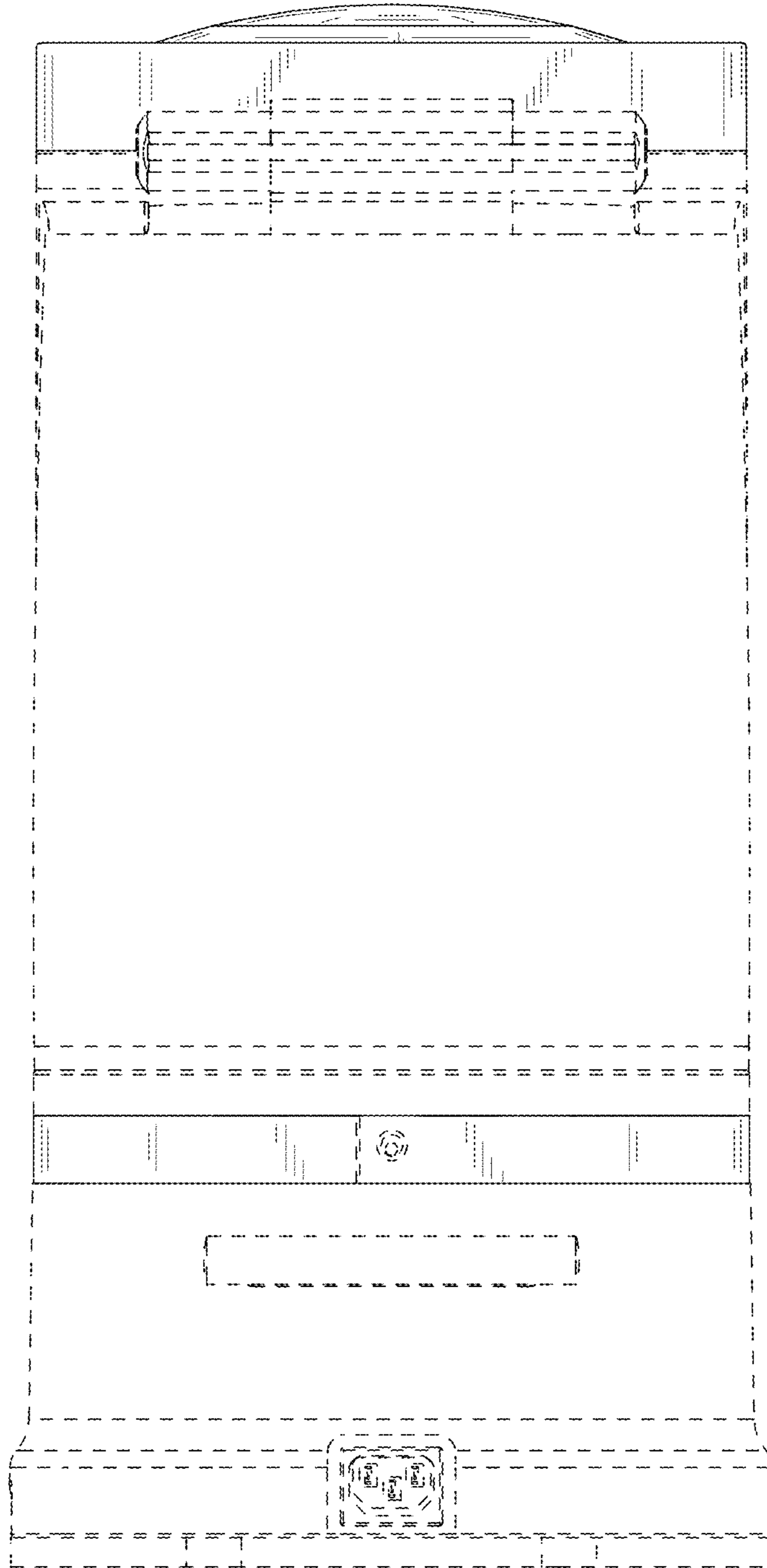


**FIG. 2**

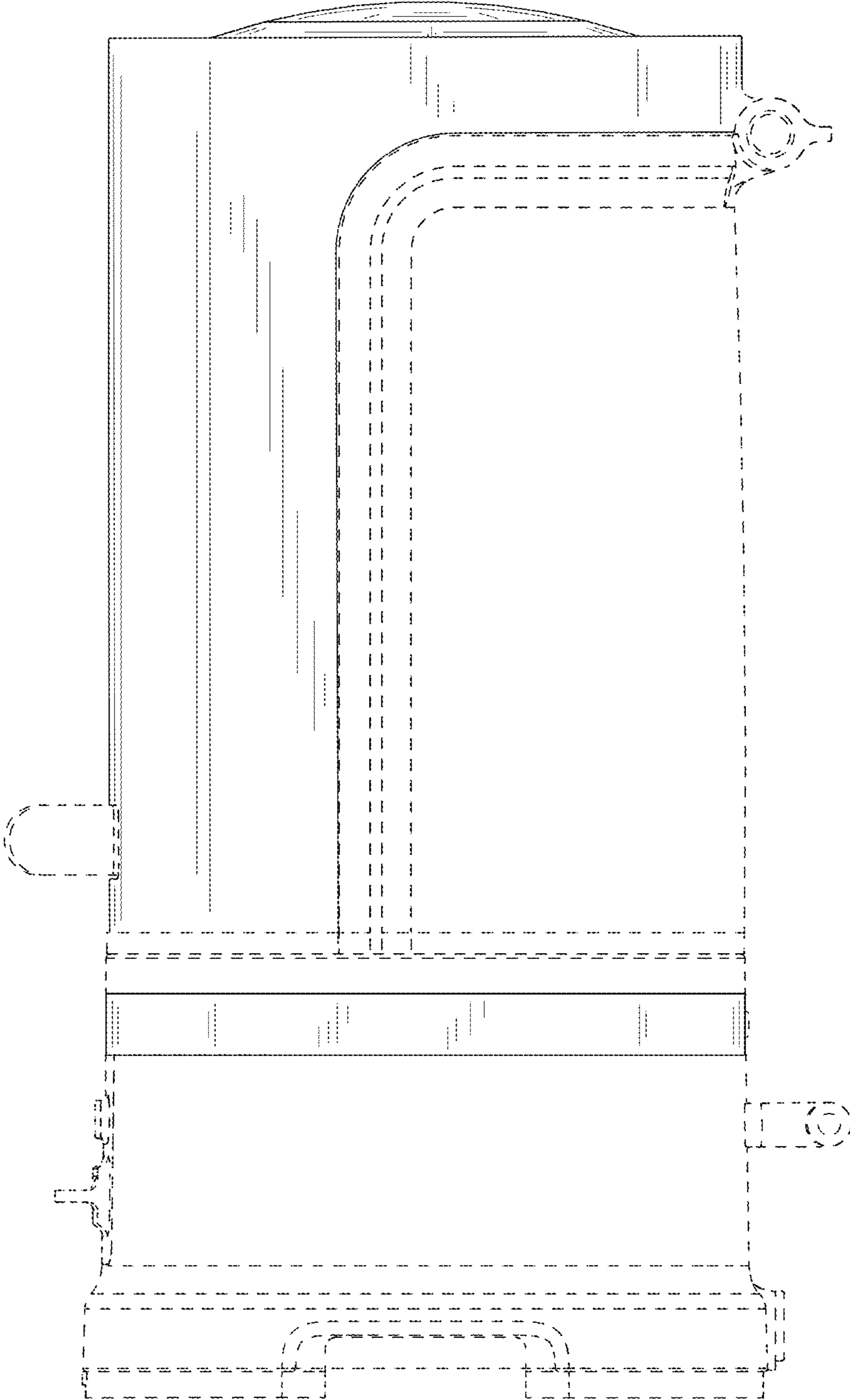


**FIG. 3**

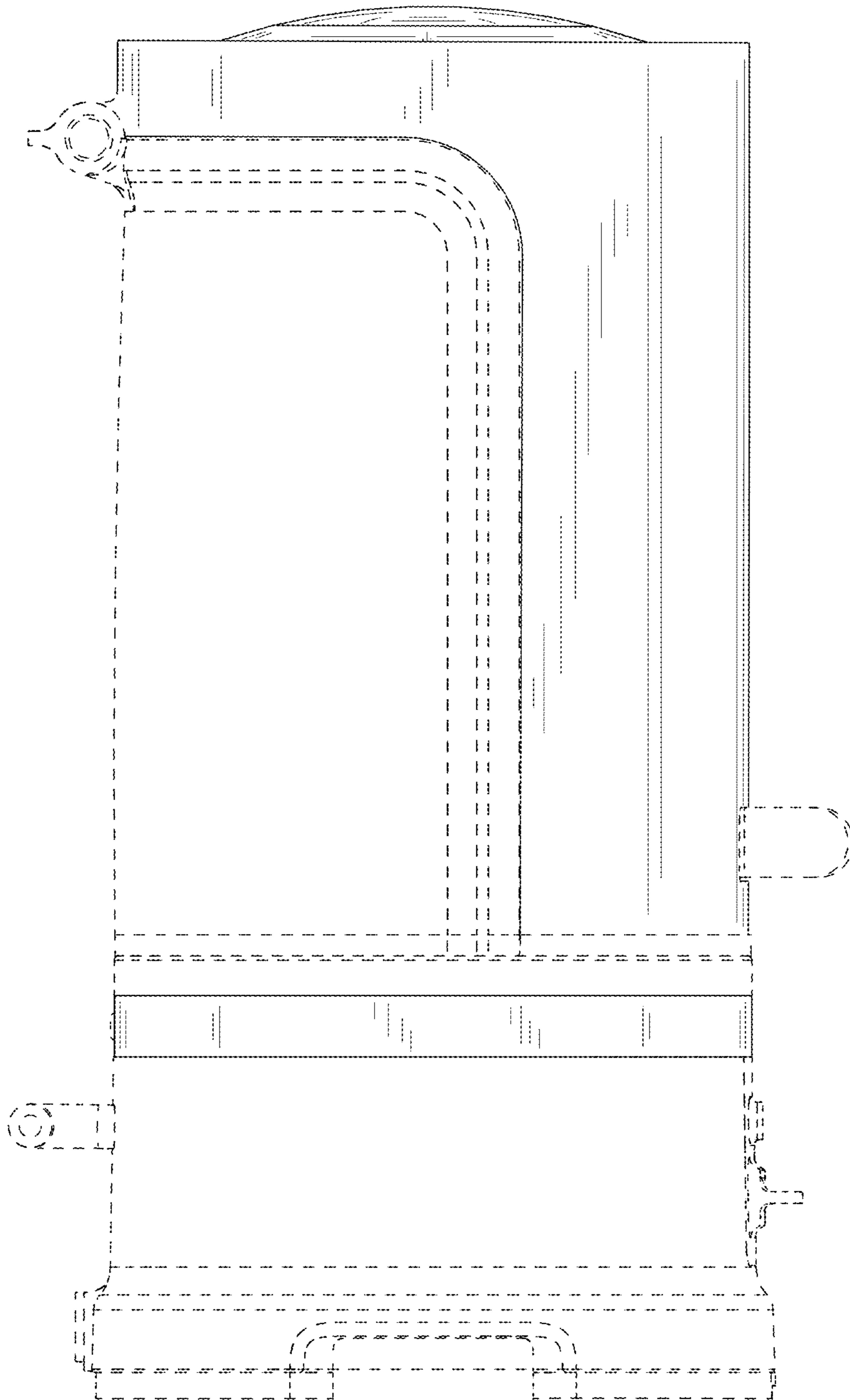




**FIG. 4**

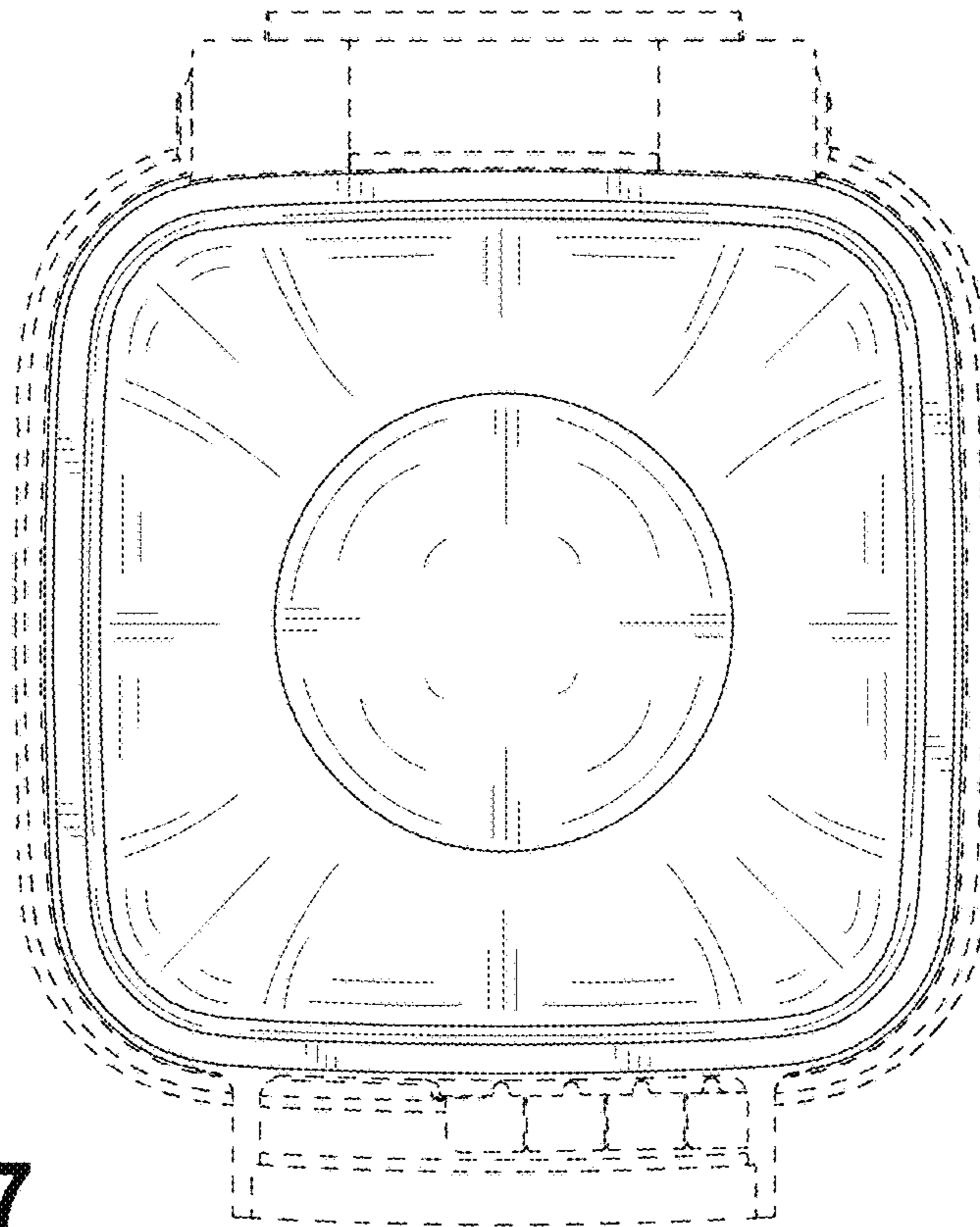


**FIG. 5**

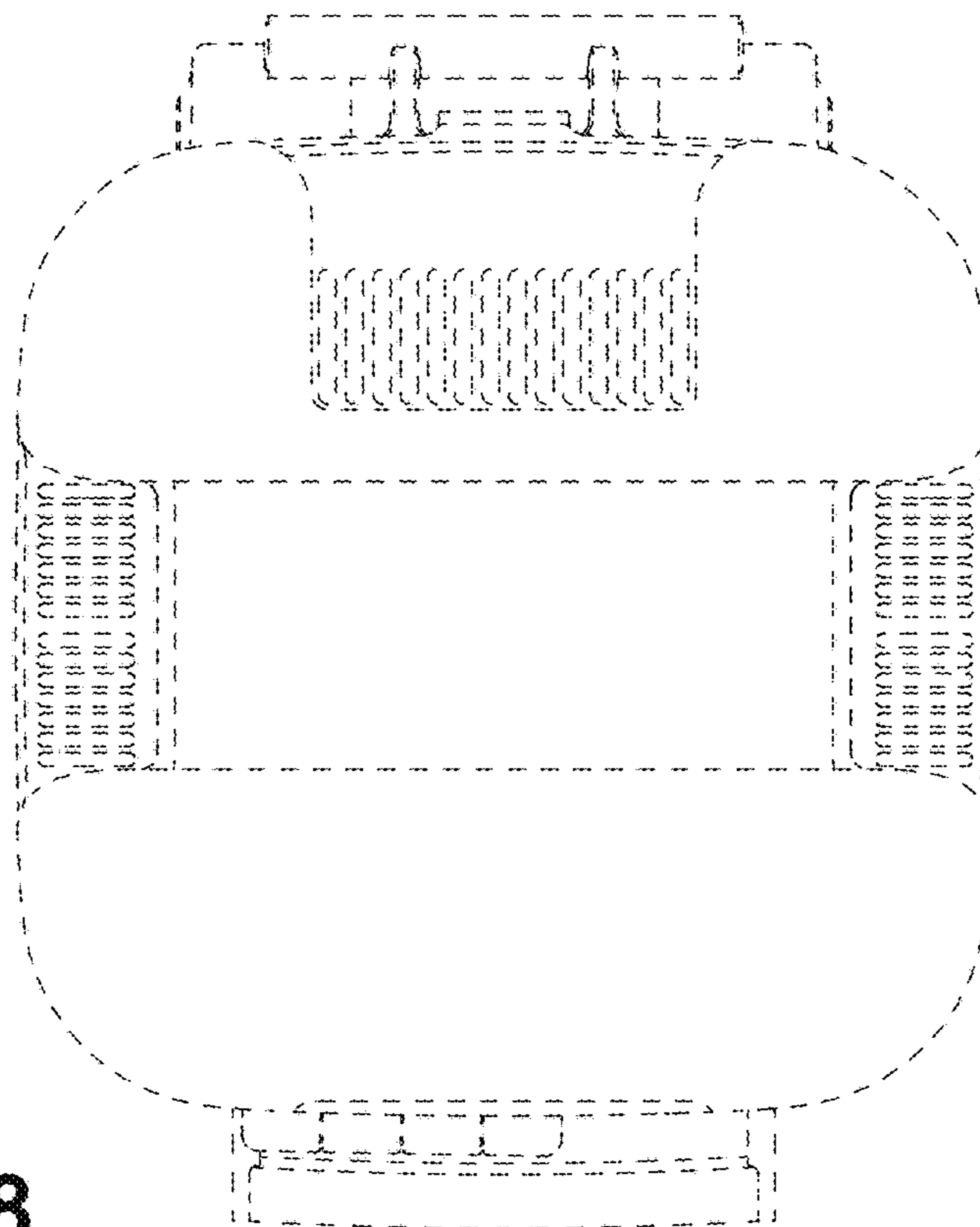


**FIG. 6**





**FIG. 7**



**FIG. 8**