



US00D787880S

(12) **United States Design Patent** (10) **Patent No.:** **US D787,880 S**
Esteban Bautista et al. (45) **Date of Patent:** **** May 30, 2017**

(54) **COOKING VESSEL**

(57) **CLAIM**

(71) Applicant: **Funtastic Limited**, Chadstone, Victoria (AU)

The ornamental design for a cooking vessel, as shown and described.

(72) Inventors: **Jose Antonio Esteban Bautista**, Chadstone (AU); **Luis Llorens Chanza**, Chadstone (AU); **Man Piu Billy Yip**, Chadstone (AU)

DESCRIPTION

(73) Assignee: **Funtastic Limited**, Chadstone (AU)

FIG. 1 is an exploded front perspective view of the three items, identified as item 1, item 2, and item 3, that form the cooking vessel;

(**) Term: **15 Years**

FIG. 2 is an exploded rear perspective view thereof;

(21) Appl. No.: **29/536,012**

FIG. 3 is a front perspective view thereof with the three items combined;

(22) Filed: **Aug. 12, 2015**

FIG. 4 is a rear perspective view thereof with the three items combined;

(30) **Foreign Application Priority Data**

FIG. 5 is a front view thereof with the three items combined;

Feb. 12, 2015 (AU) 201510791

FIG. 6 is a top view thereof with the three items combined;

(51) **LOC (10) Cl.** **07-02**

FIG. 7 is a cross-sectional view along line 7-7 of FIG. 6;

(52) **U.S. Cl.**

USPC **D7/354**

FIG. 8 is a cross-sectional view along line 8-8 of FIG. 6;

(58) **Field of Classification Search**

USPC D3/270; D7/323, 332, 334, 337, D7/354-363, 391, 393-396, 409, 505;

(Continued)

FIG. 9 is a front view of item 1;

FIG. 10 is a rear view of item 1;

FIG. 11 is a top view of item 1;

FIG. 12 is a bottom view of item 1;

FIG. 13 is a left side view of item 1;

FIG. 14 is a right side view of item 1;

FIG. 15 is a front view of item 2;

FIG. 16 is a rear view of item 2;

FIG. 17 is a top view of item 2;

FIG. 18 is a bottom view of item 2;

FIG. 19 is a left side view of item 2;

FIG. 20 is a right side view of item 2;

FIG. 21 is a front view of item 3;

FIG. 22 is a rear view of item 3;

FIG. 23 is a top view of item 3;

FIG. 24 is a bottom view of item 3;

FIG. 25 is a left side view of item 3; and,

FIG. 26 is a right side view of item 3.

The broken lines in the various figures form no portion of the claimed design.

(56) **References Cited**

U.S. PATENT DOCUMENTS

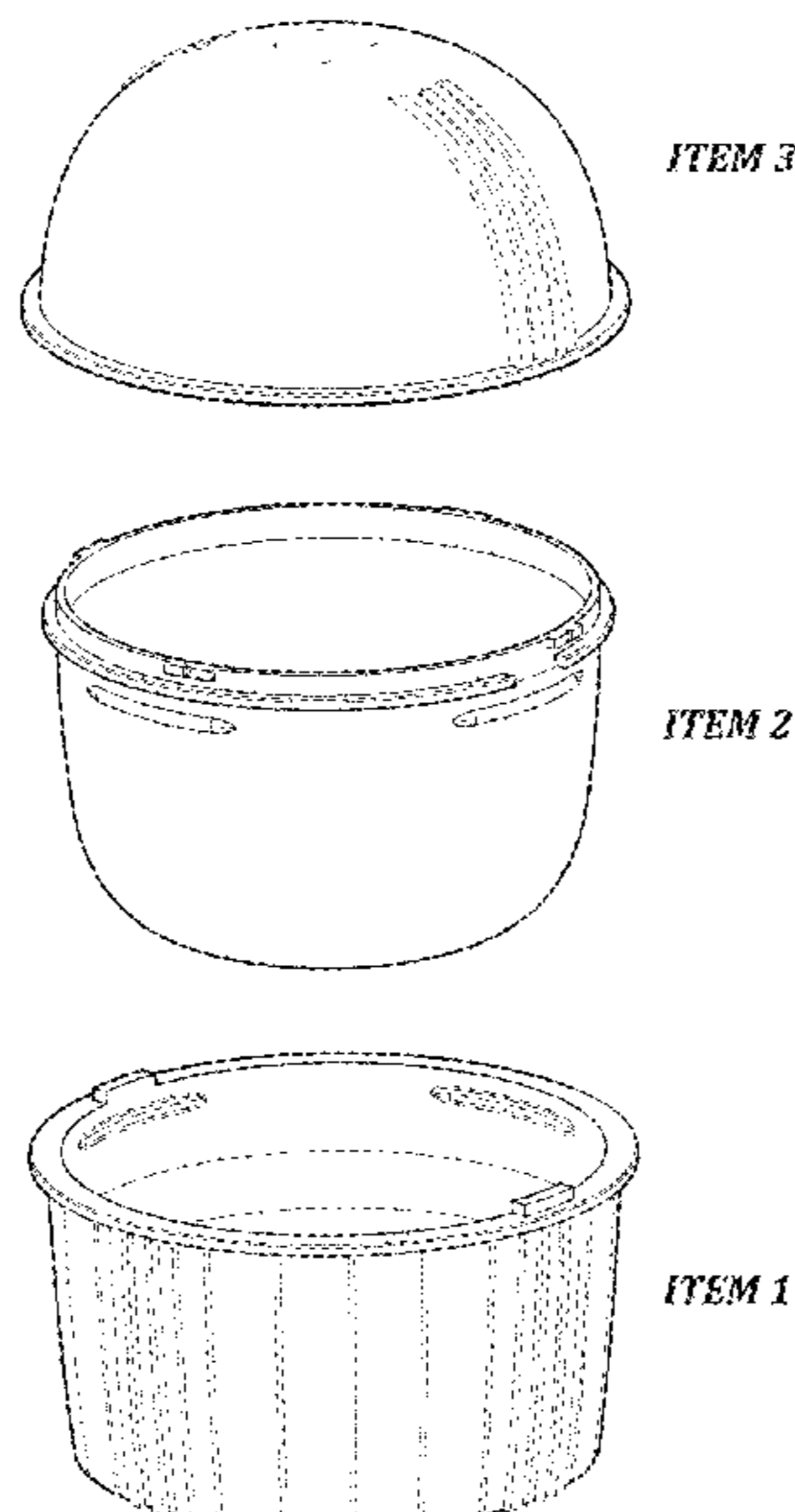
D104,914 S * 6/1937 Coss D7/360
2,170,904 A * 8/1939 Kircher A47J 36/18
126/275 R

(Continued)

Primary Examiner — Ricky Pham

(74) Attorney, Agent, or Firm — Christensen O'Connor Johnson Kindness PLLC

1 Claim, 17 Drawing Sheets



(58) **Field of Classification Search**

USPC D9/643; D10/40; D14/216; D21/684;
 D23/364; D24/216; D26/40, 47, 94;
 D28/16

CPC A47G 19/12; A47J 27/00; A47J 27/002;
 A47J 27/004; A47J 27/08; A47J 27/21;
 A47J 27/58; A47J 36/025; A47J 36/06;
 A47J 36/12; A47J 36/18; A47J 37/00;
 A47J 37/10; A47J 37/101; A47J 37/103;
 A47J 37/12; A47J 37/1204; A47J 45/061;
 A47J 45/071; A47J 45/08; H05B 6/12

See application file for complete search history.

(56) **References Cited**

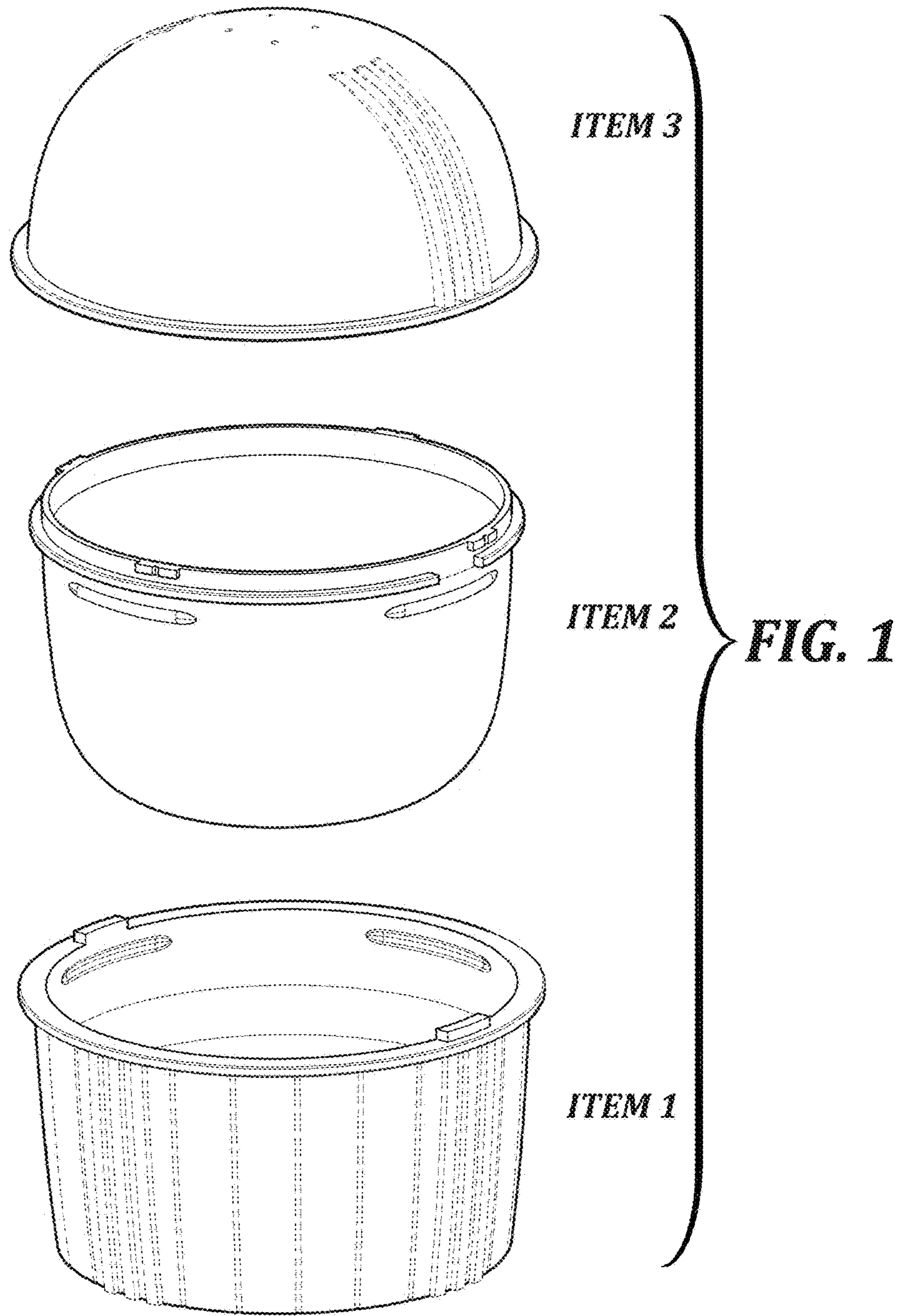
U.S. PATENT DOCUMENTS

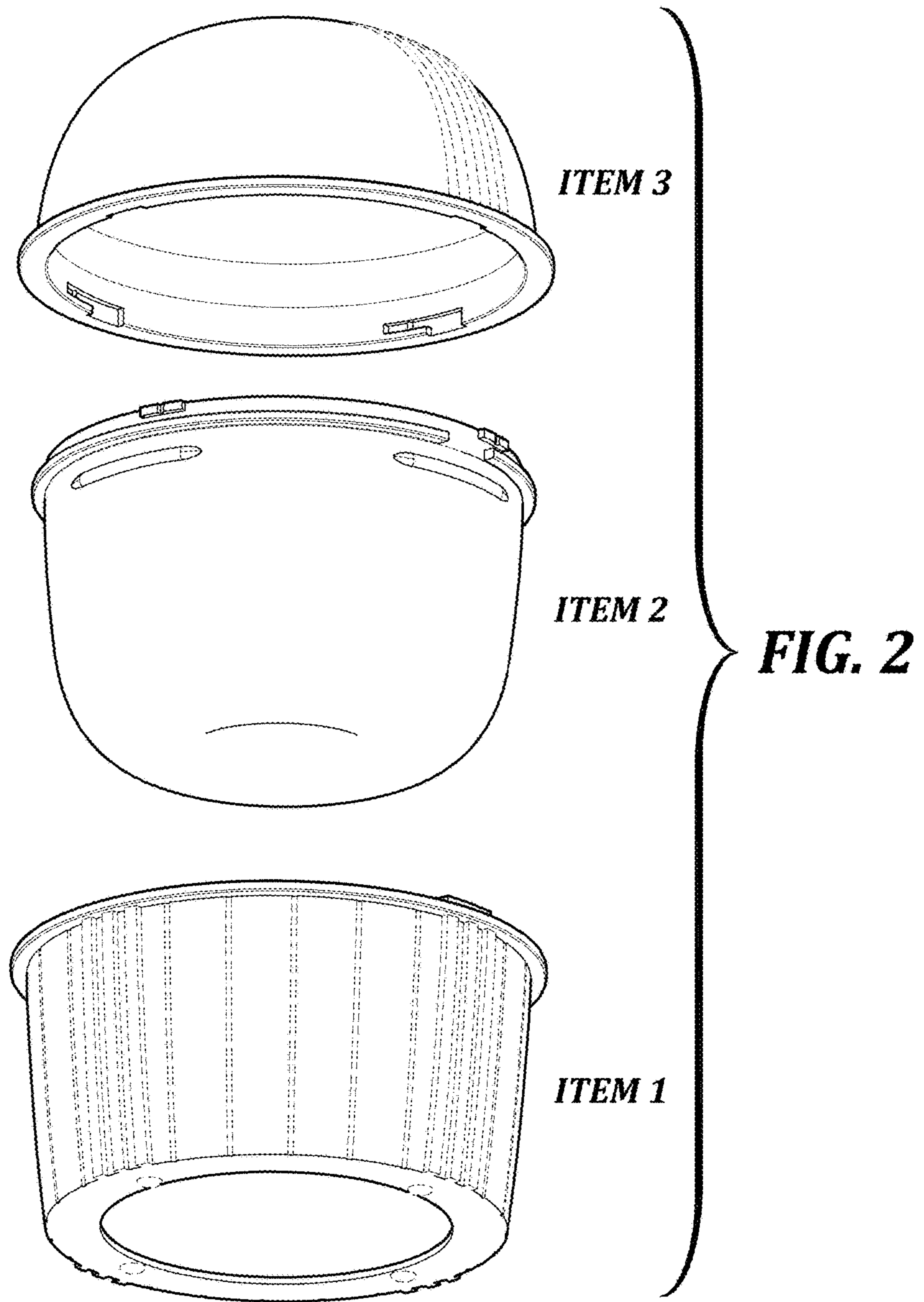
D147,950 S * 11/1947 Blazey D7/360
 D201,416 S * 6/1965 Sazegar D7/337
 D201,937 S * 8/1965 Johnson D7/337
 D207,982 S * 6/1967 Petertil et al. D28/16

D276,705 S * 12/1984 Oliveri D10/40
 D370,704 S * 6/1996 Oberhoff D21/684
 D378,724 S * 4/1997 Young D7/360
 D434,978 S * 12/2000 Thill D3/270
 D460,168 S * 7/2002 Chen D23/364
 D464,454 S * 10/2002 Suzuki D26/40
 D478,681 S * 8/2003 Newcomb D26/94
 6,744,019 B2 * 6/2004 Takegoshi A47J 27/004
 219/432

D603,374 S * 11/2009 Peters D14/216
 D615,807 S * 5/2010 Creel D7/354
 D642,416 S * 8/2011 Scott D7/332
 D652,162 S * 1/2012 Wu D26/47
 D660,451 S * 5/2012 Matsuura D24/216
 D667,255 S * 9/2012 Reiner D7/354
 D702,478 S * 4/2014 Wai D7/323
 D712,192 S * 9/2014 Prueksapornpong D7/354
 D714,090 S * 9/2014 Harper D7/334
 D737,136 S * 8/2015 Lam D9/643
 D747,621 S * 1/2016 Amerson D7/354
 D771,430 S * 11/2016 Yip D7/354

* cited by examiner





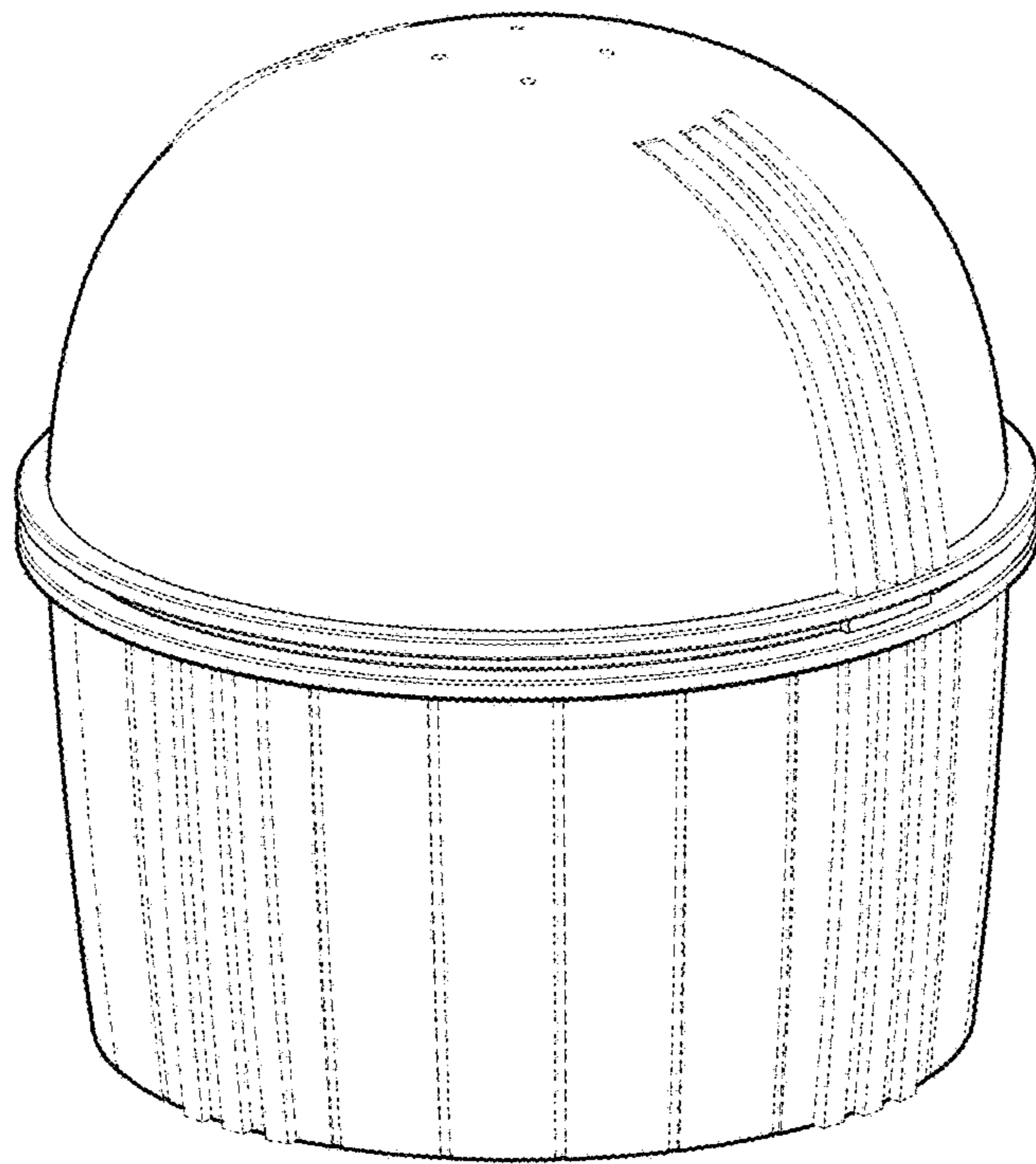


FIG. 3

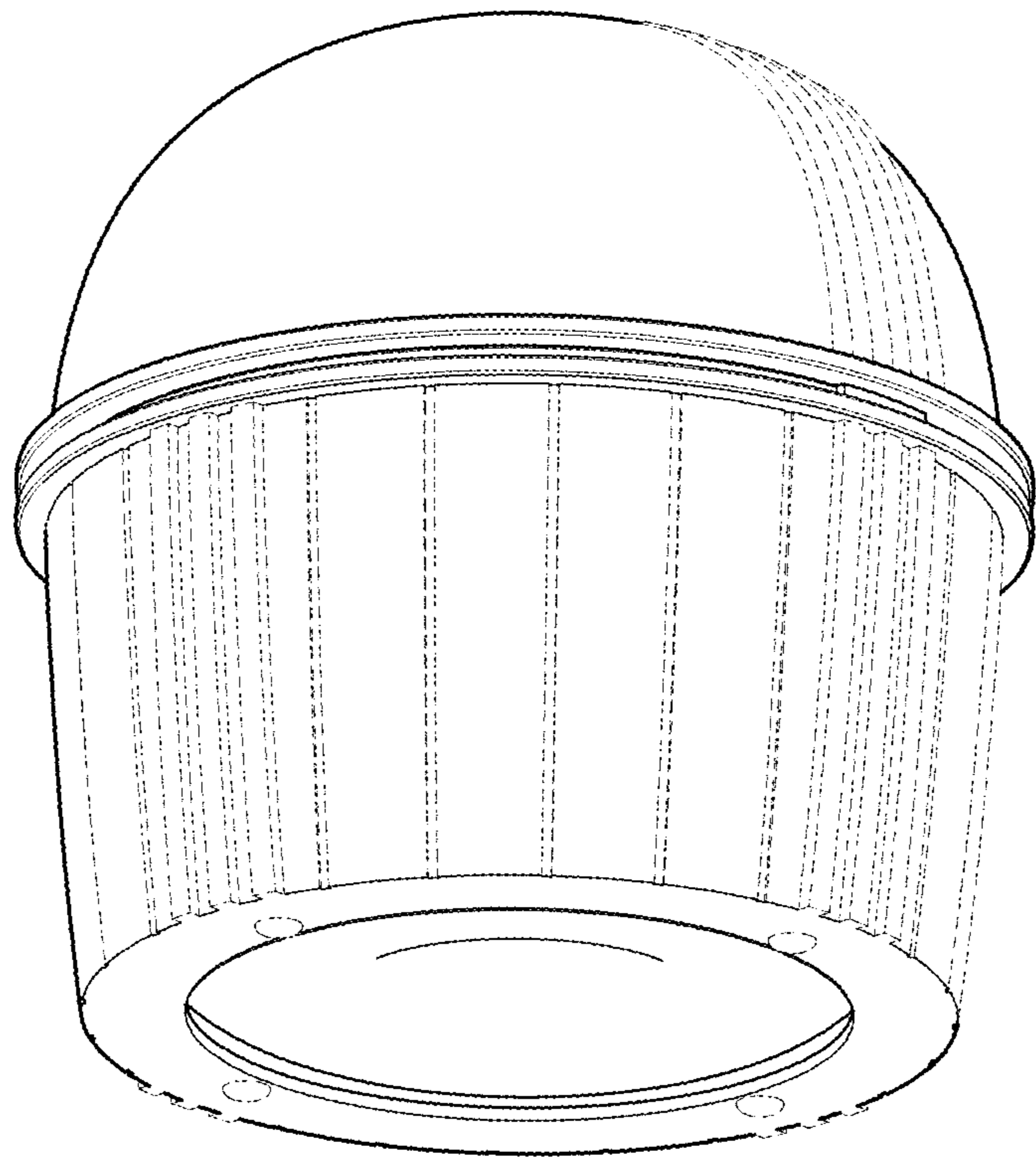


FIG. 4

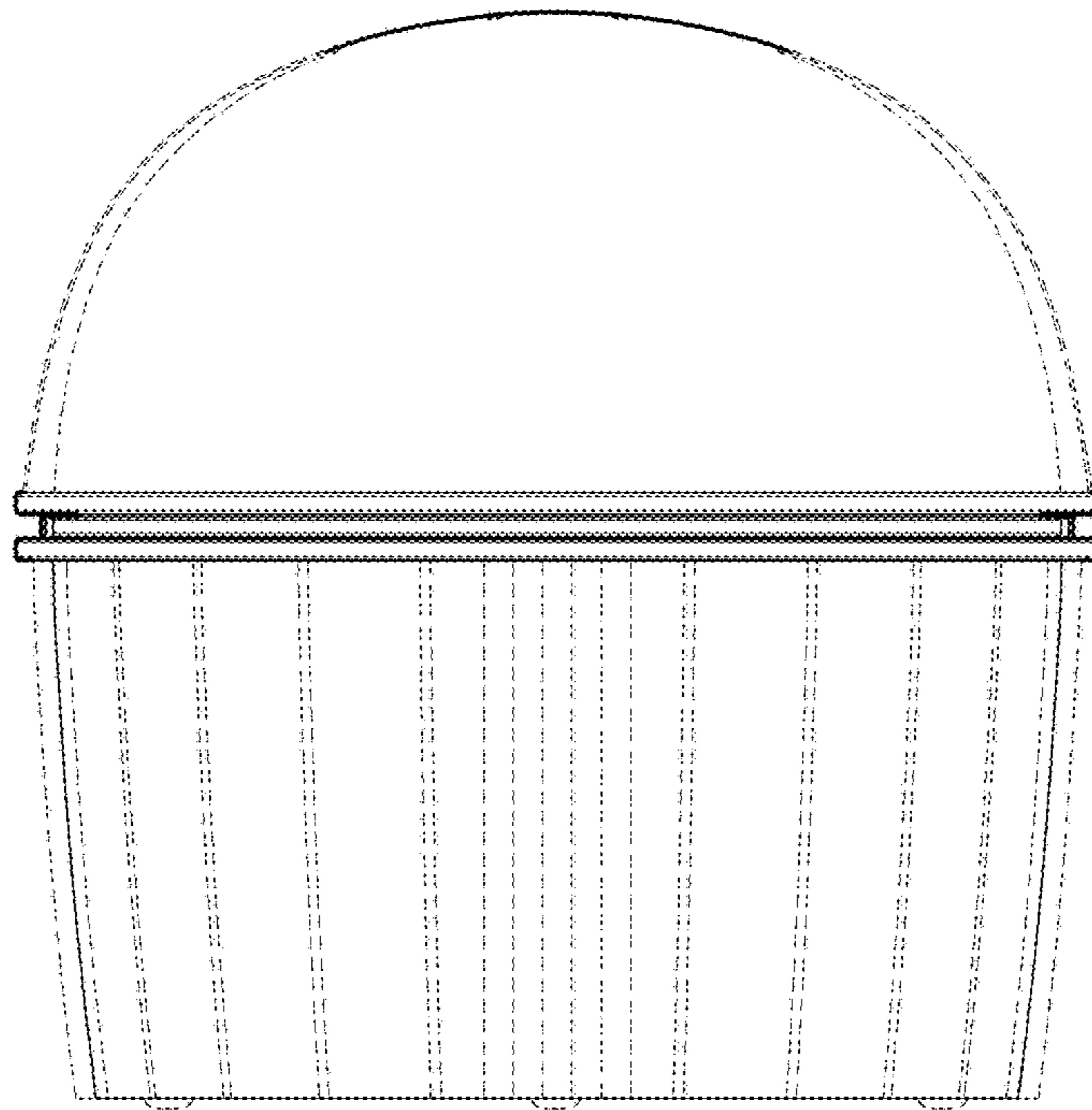


FIG. 5

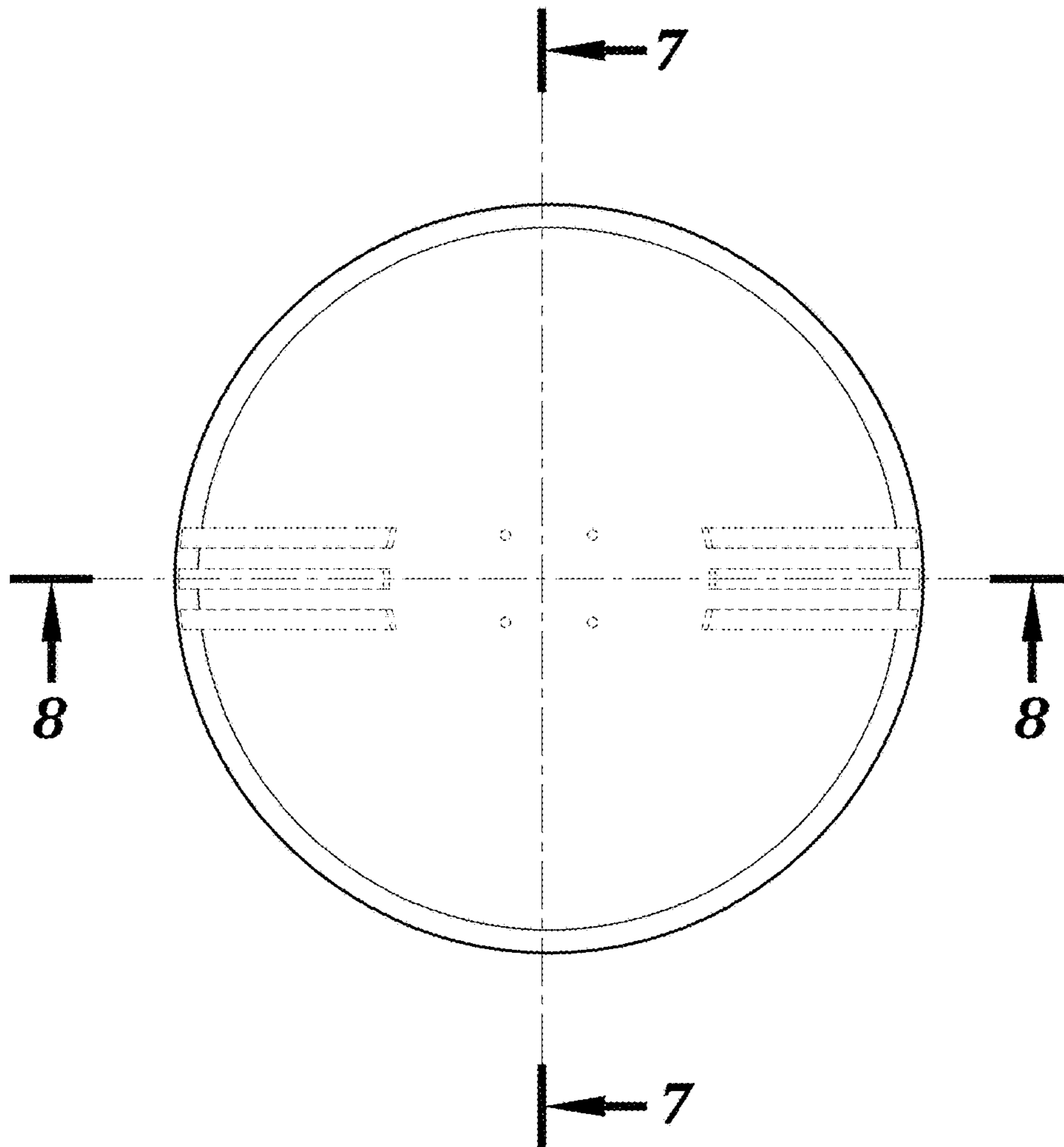


FIG. 6

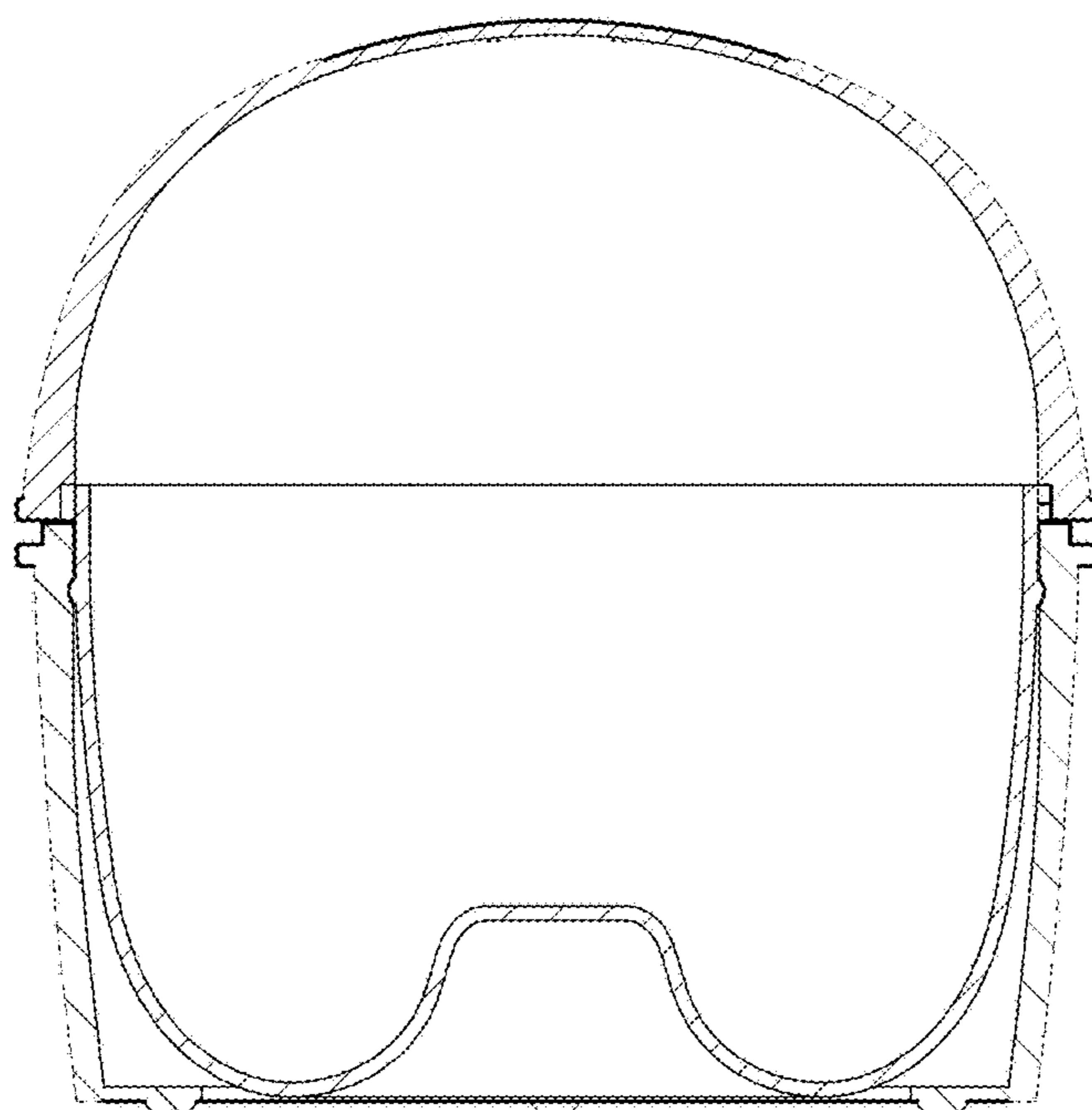


FIG. 7

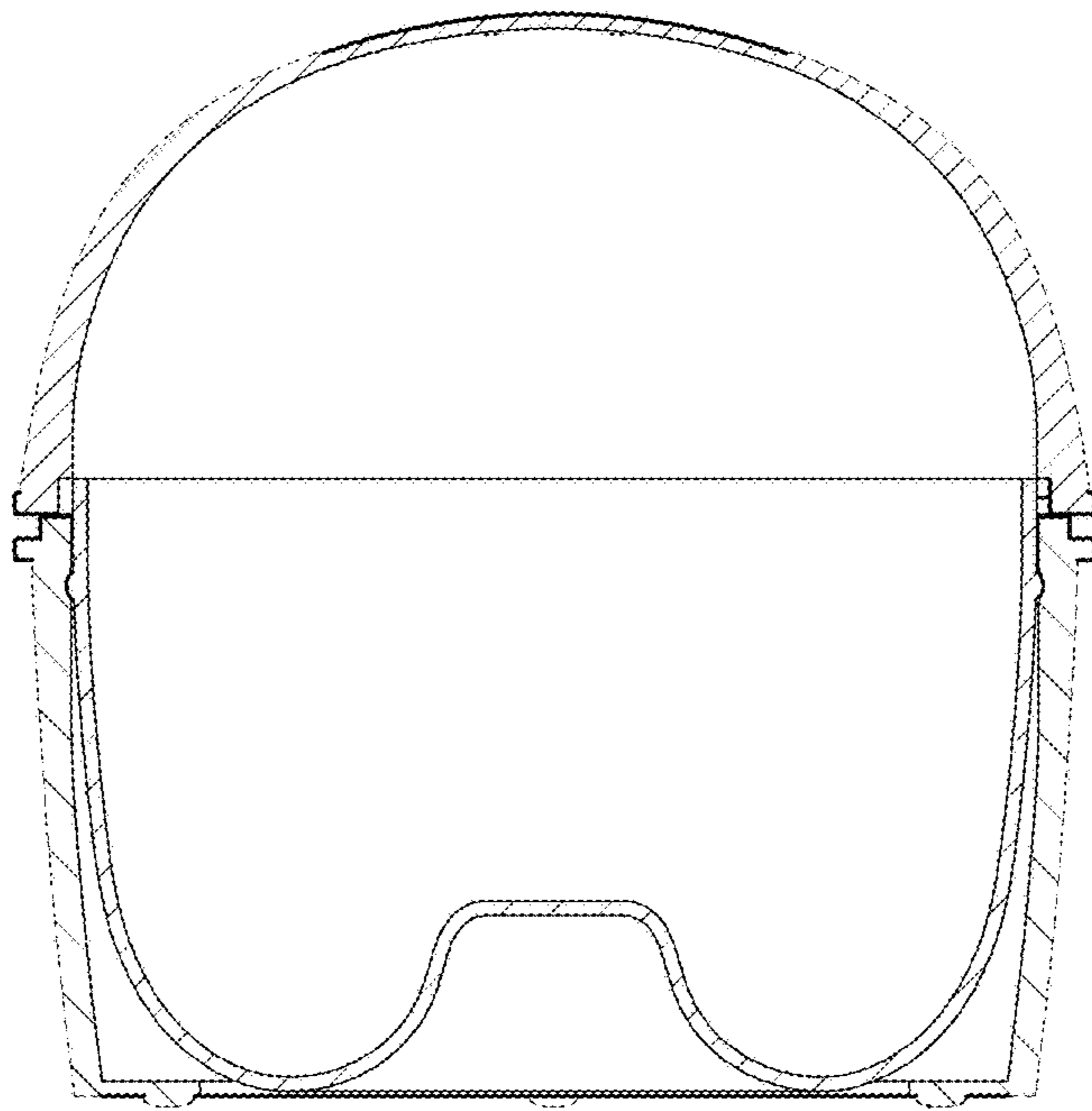


FIG. 8

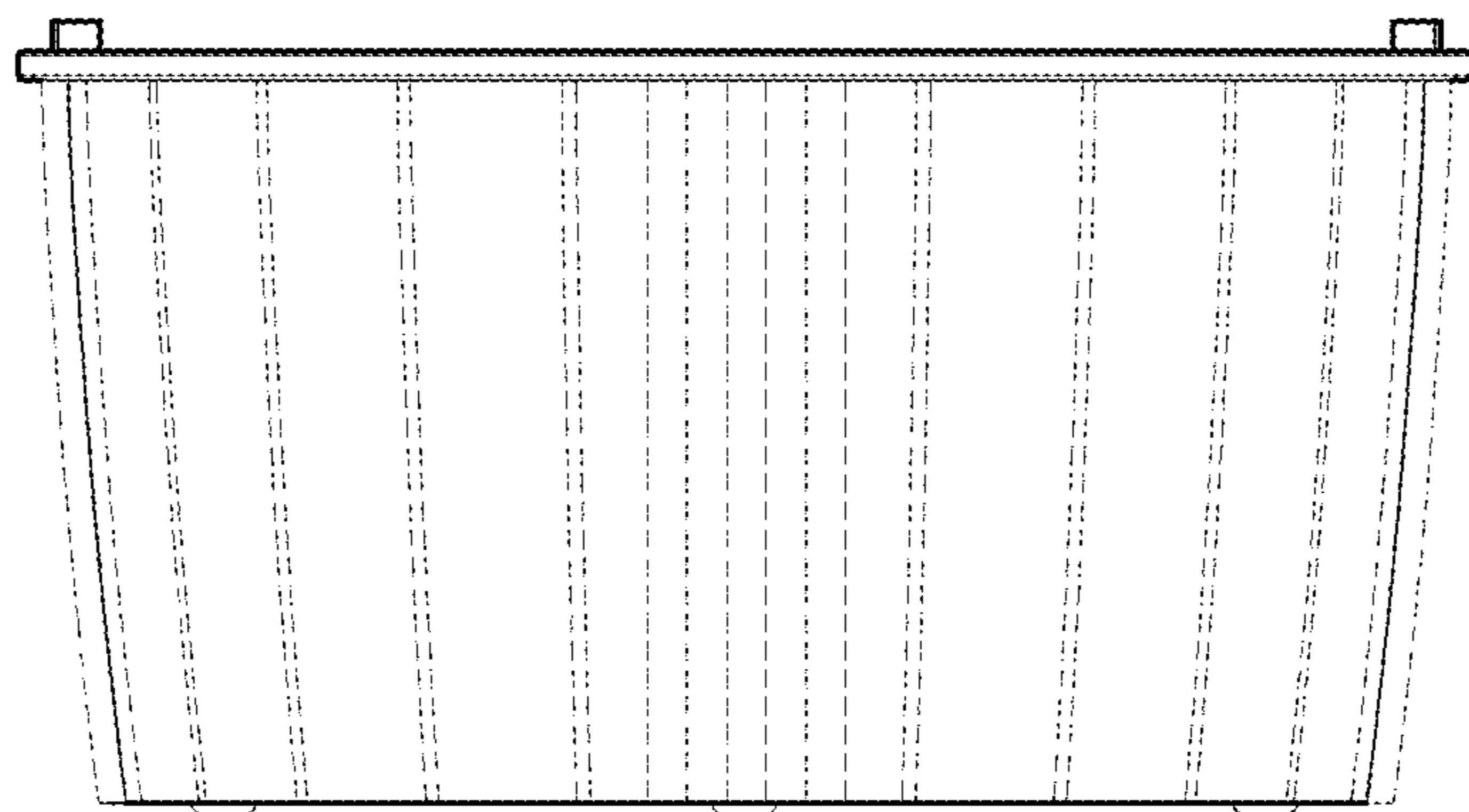


FIG. 9

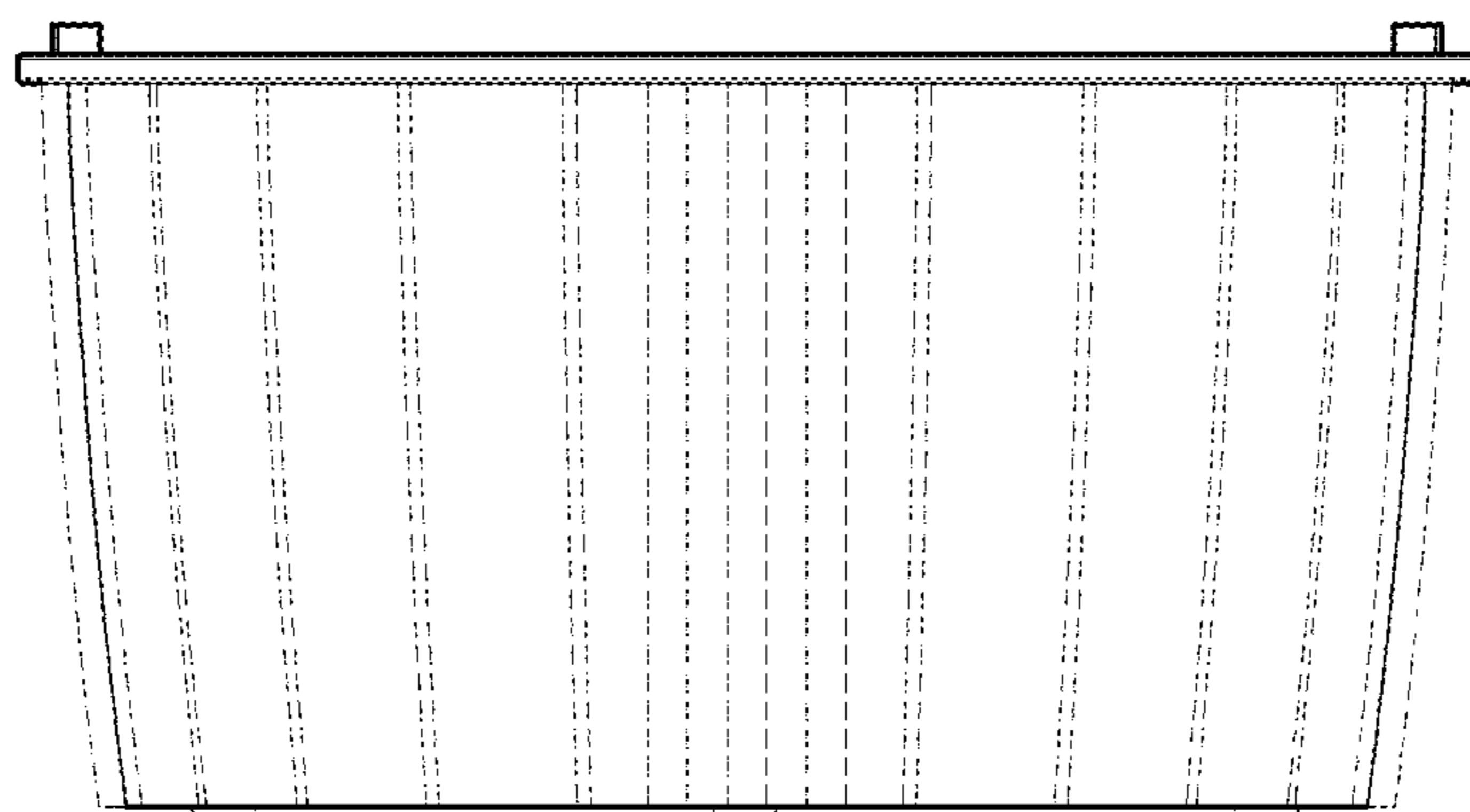


FIG. 10

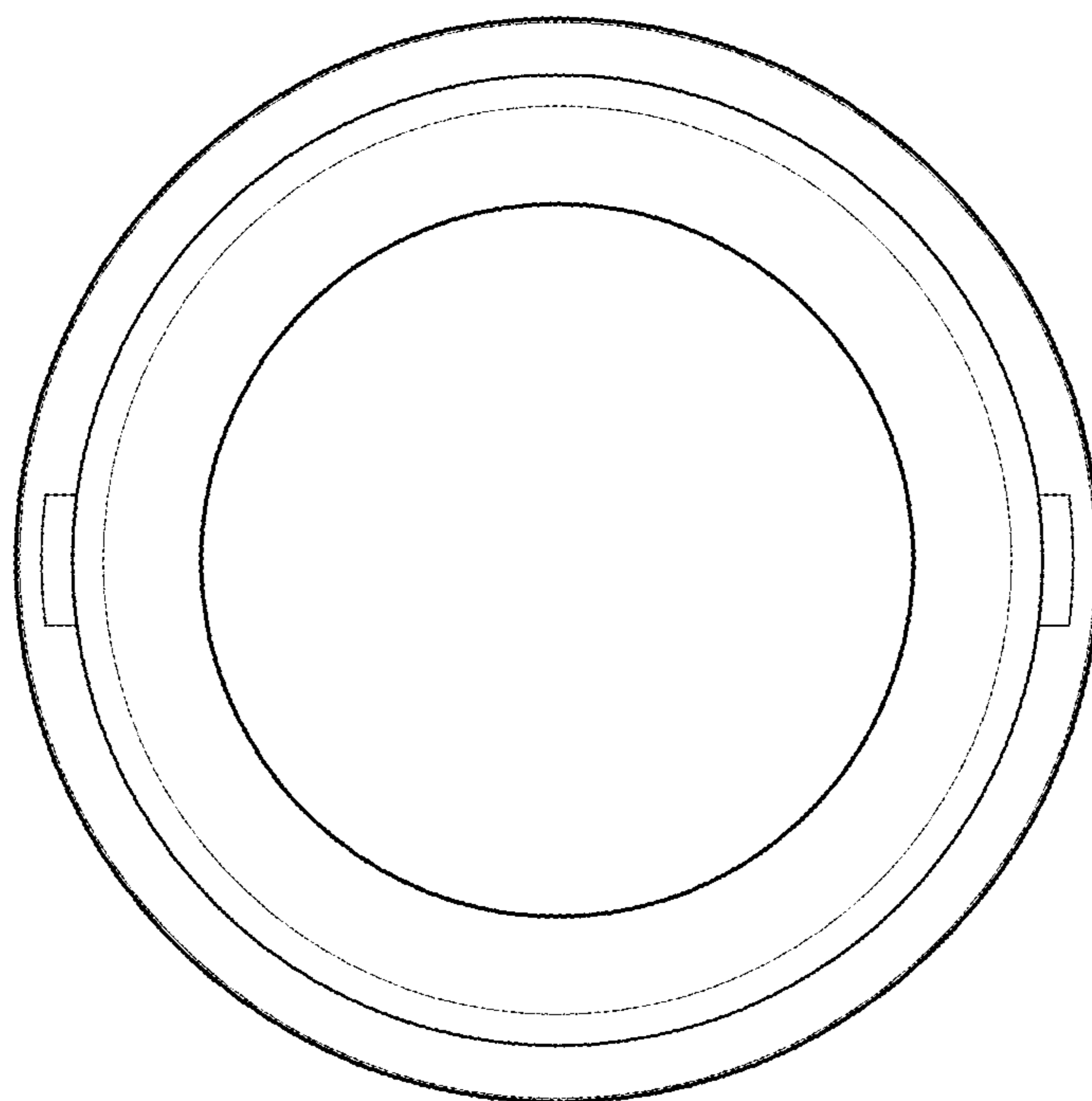


FIG. 11

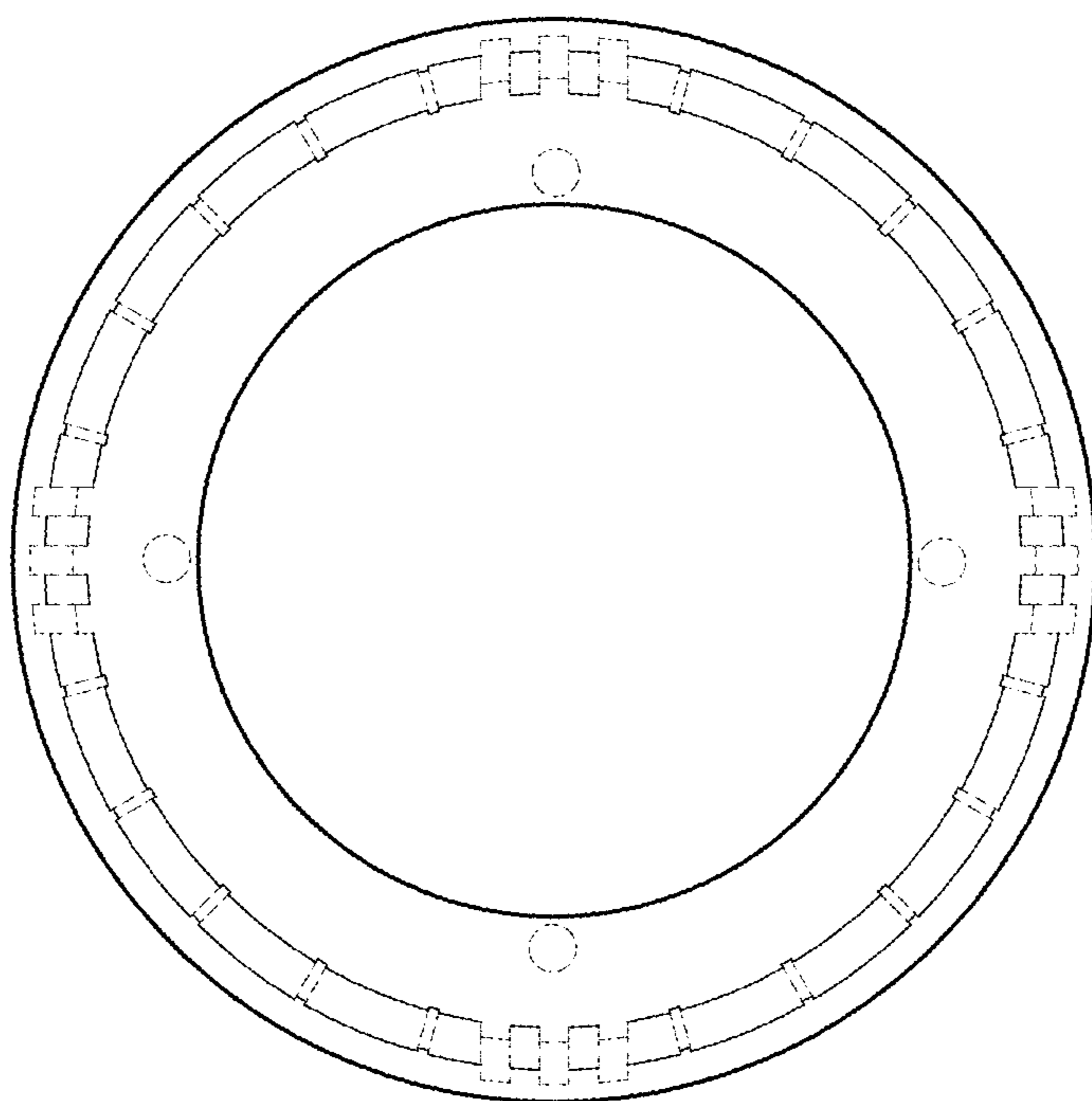


FIG. 12

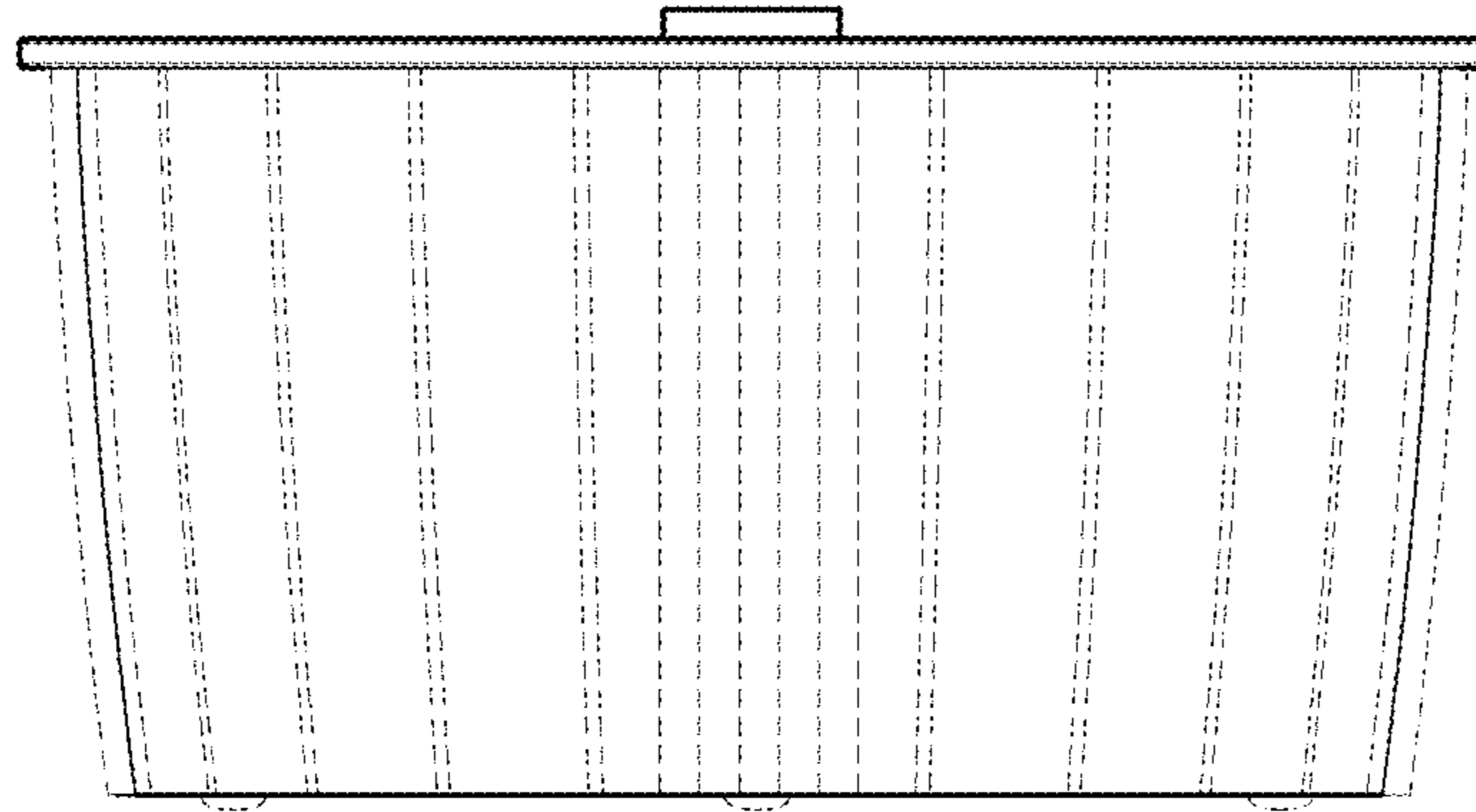


FIG. 13

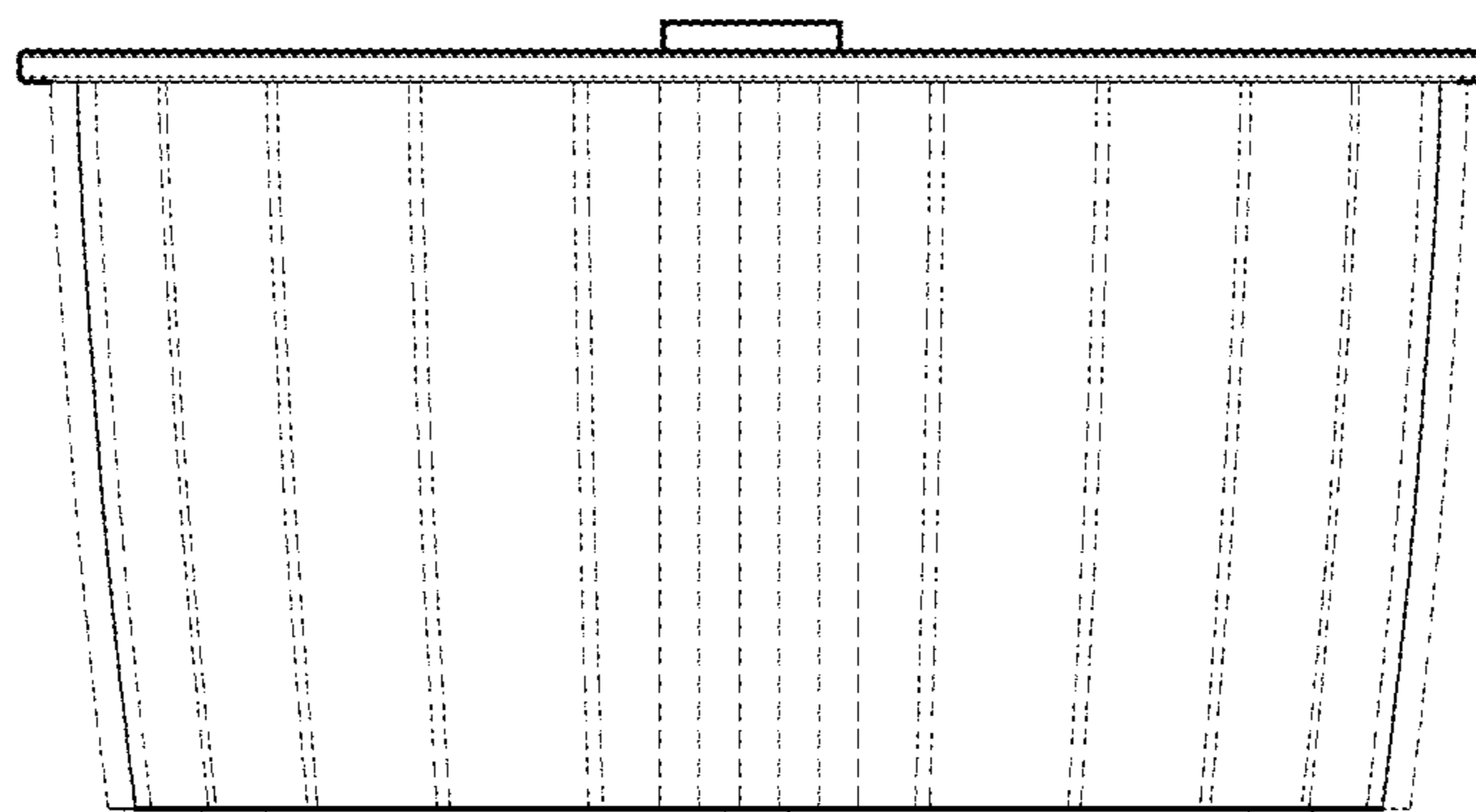


FIG. 14

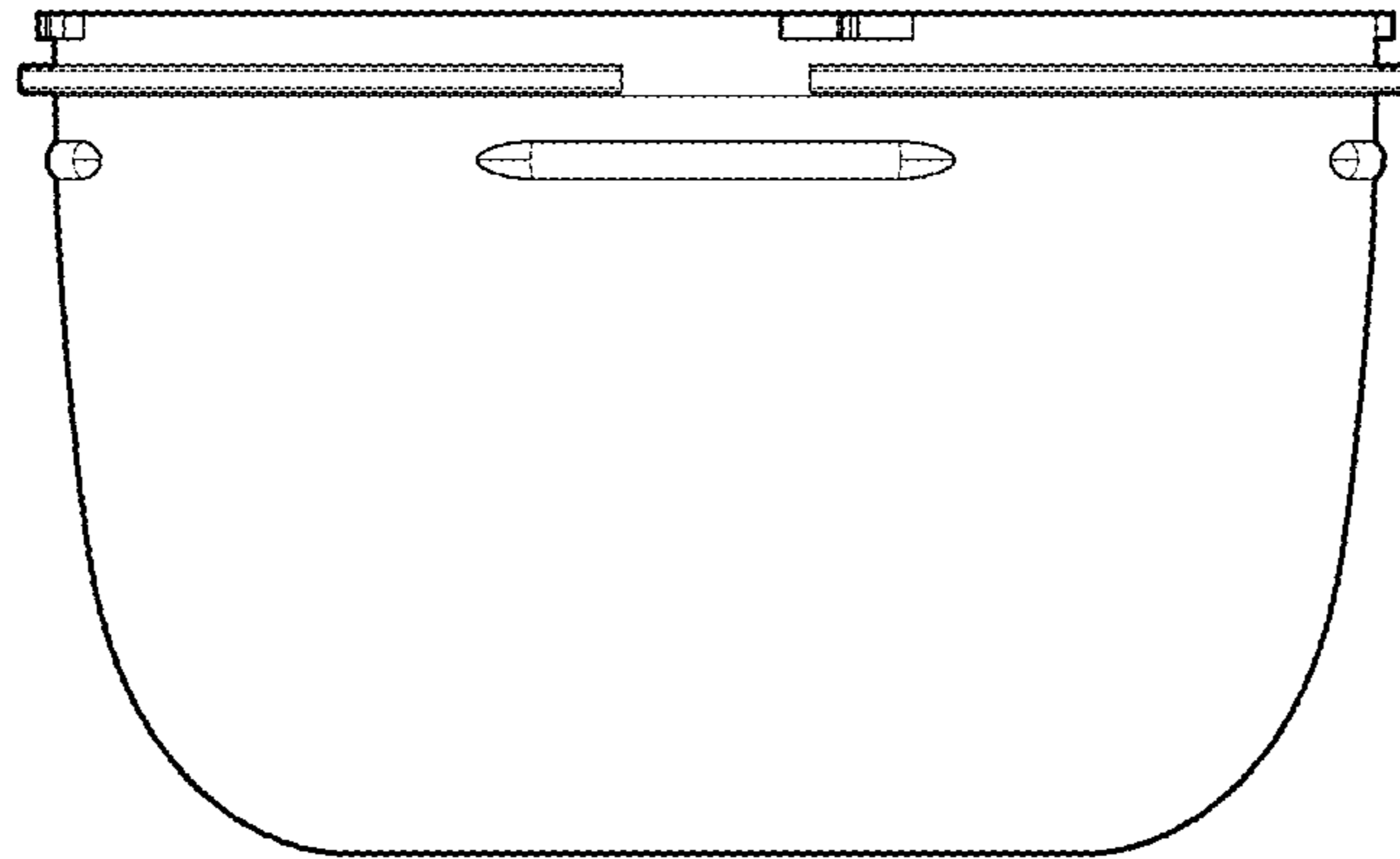


FIG. 15

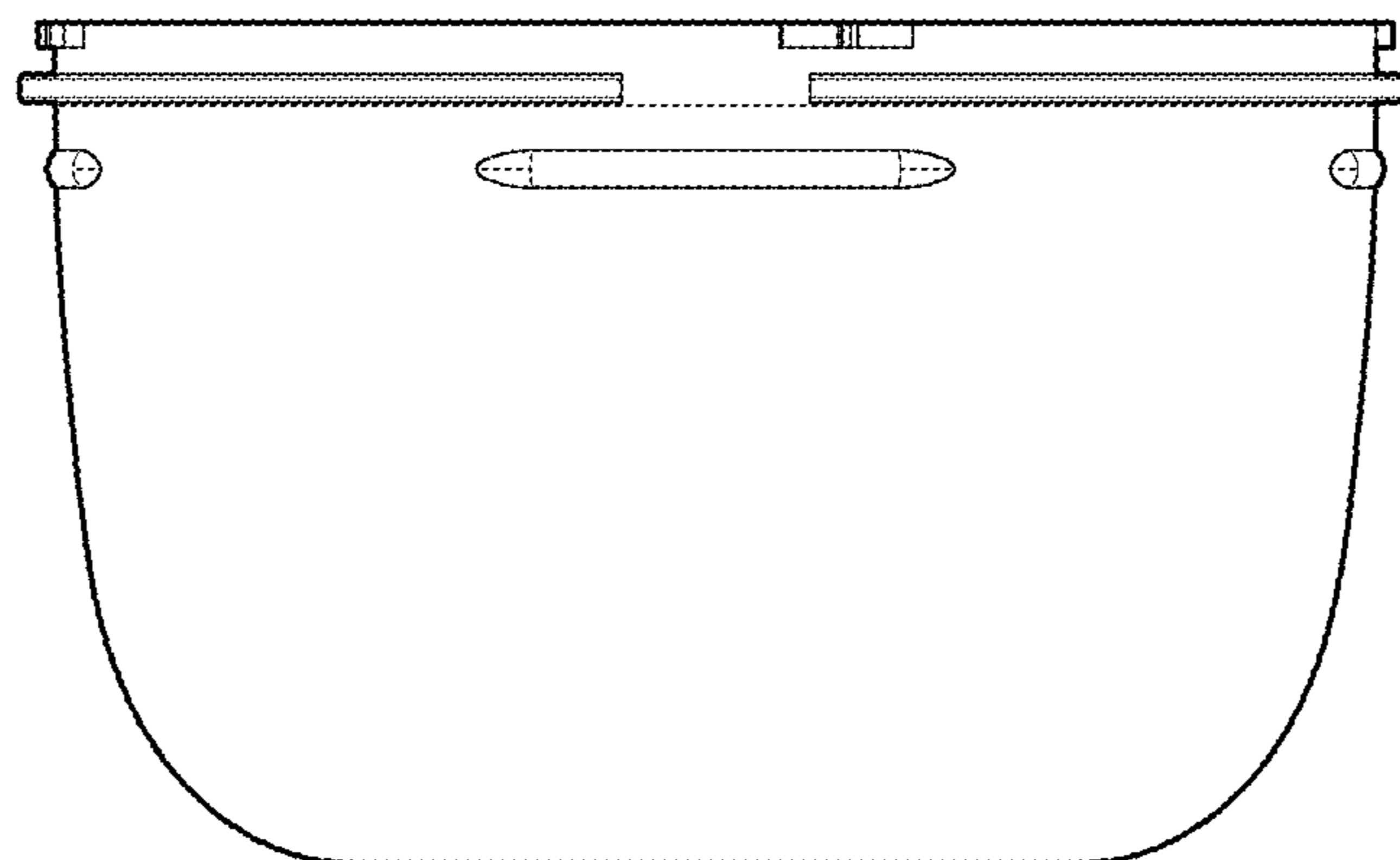


FIG. 16

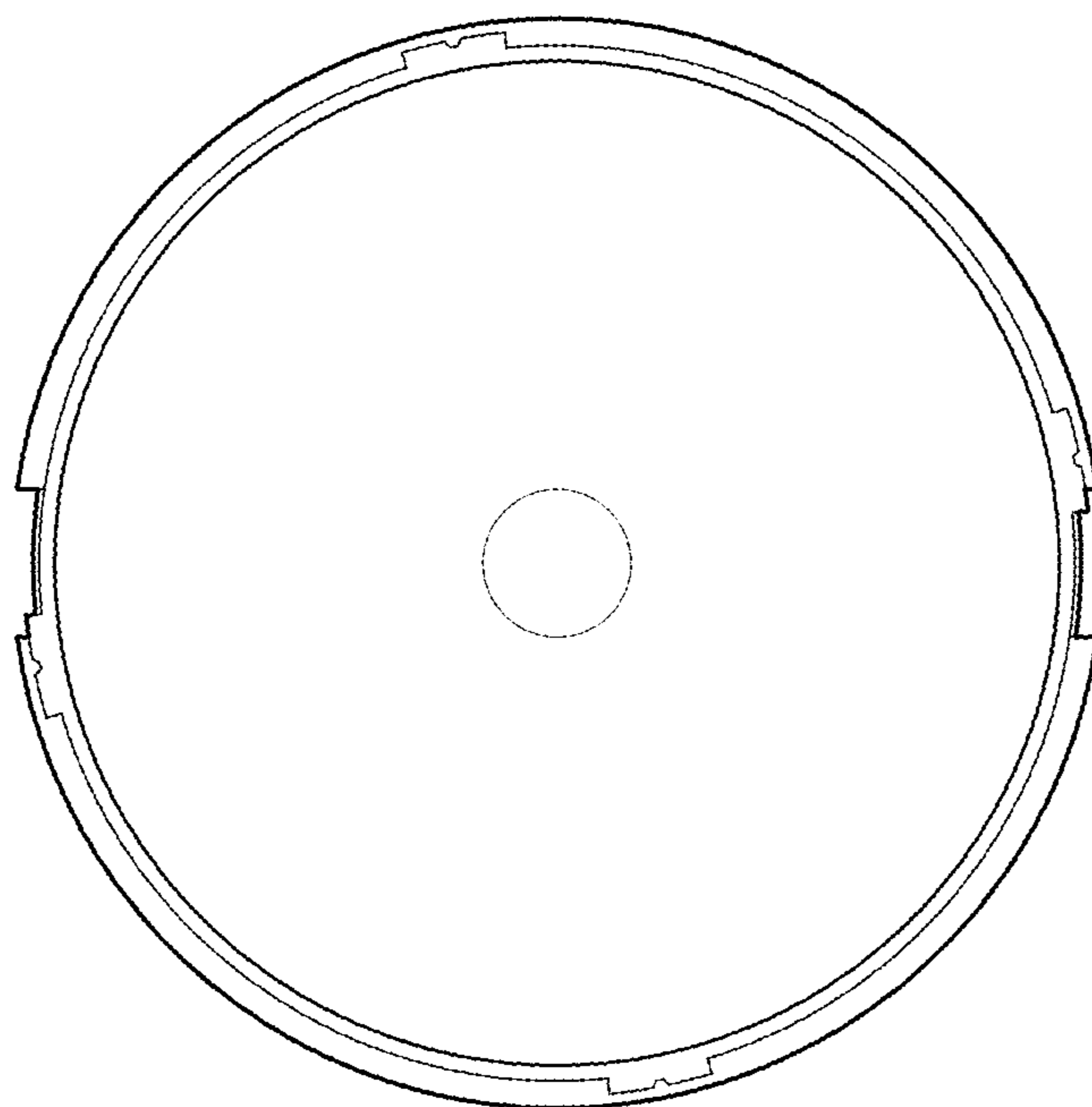


FIG. 17

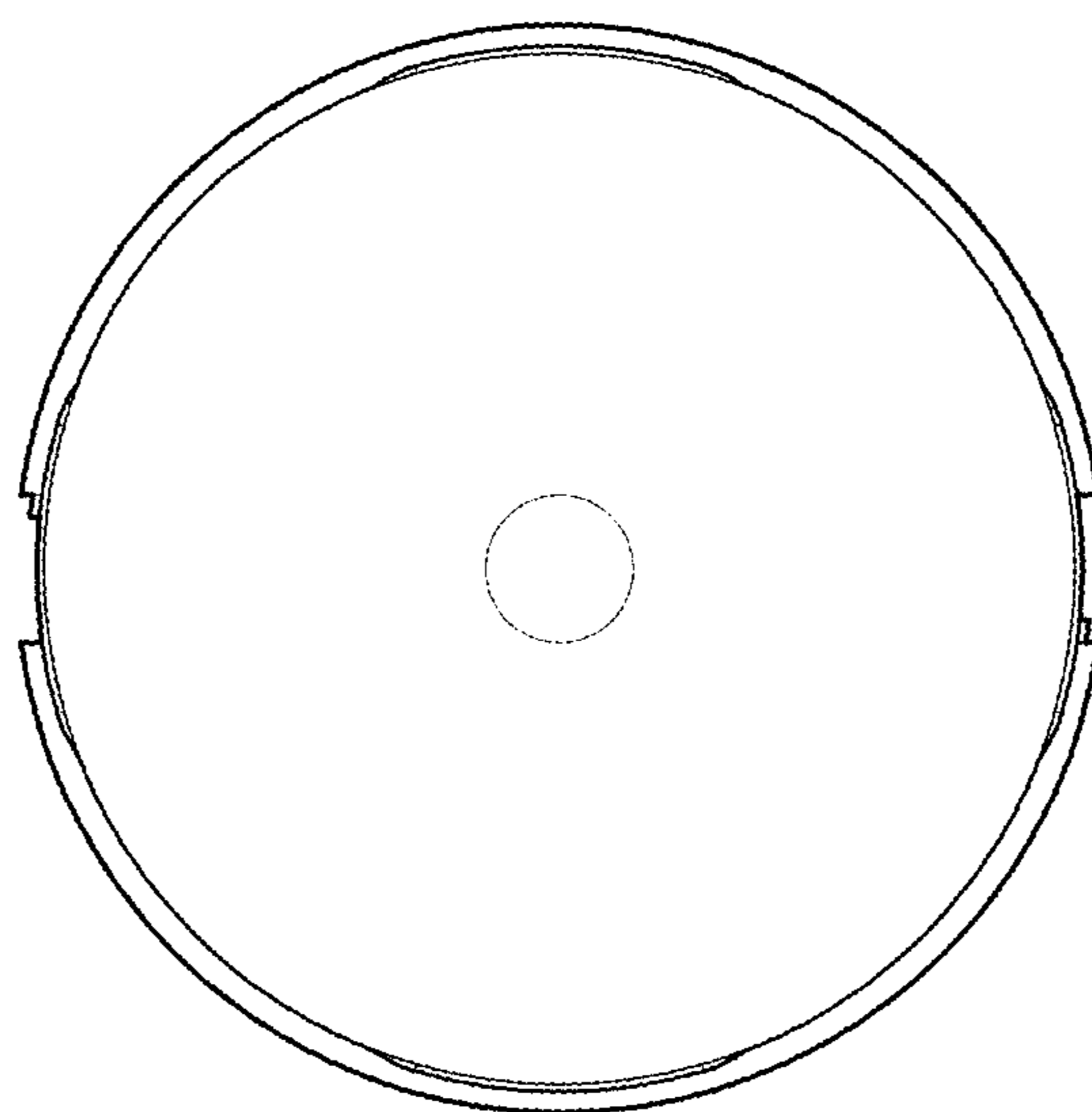


FIG. 18

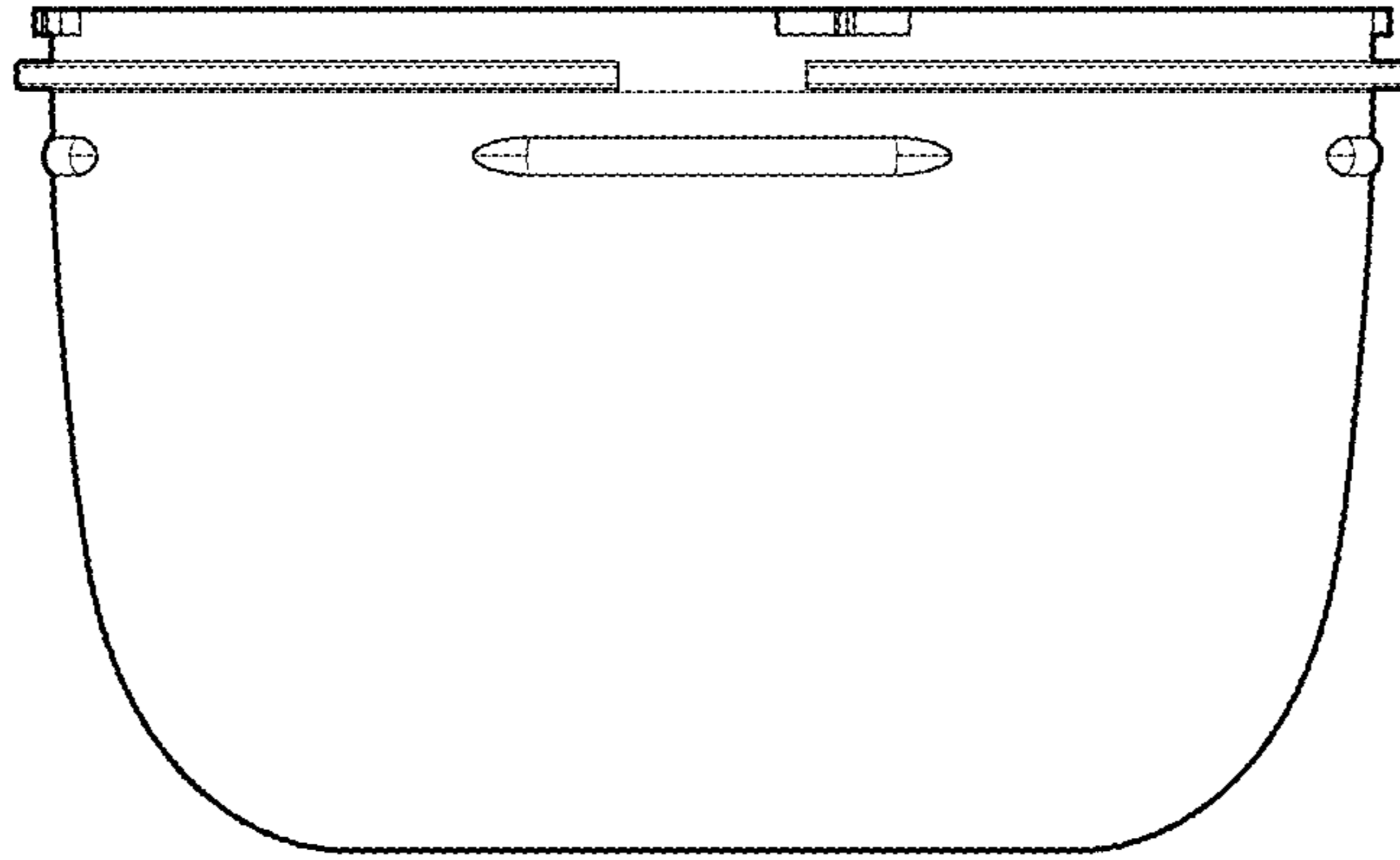


FIG. 19

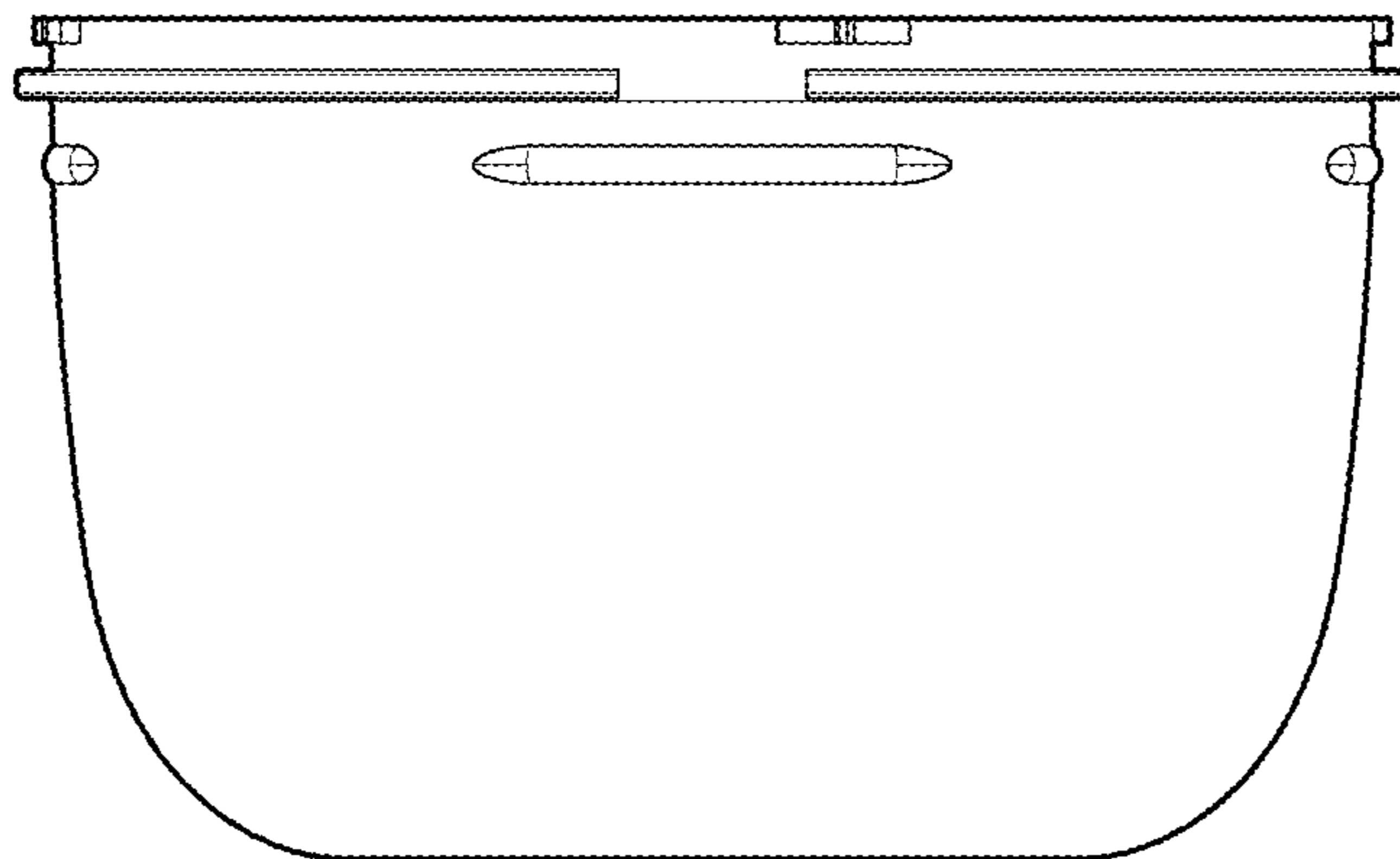


FIG. 20

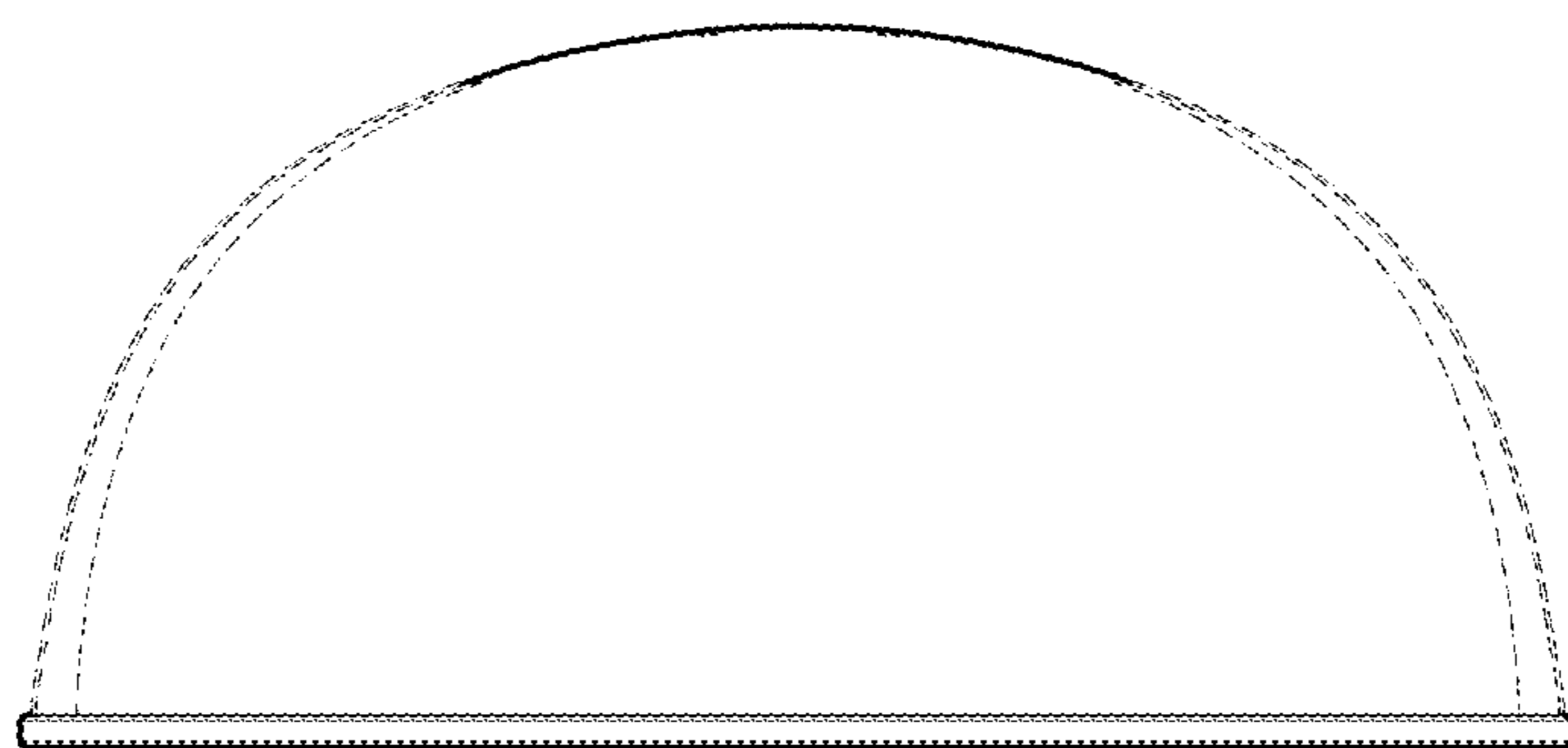


FIG. 21

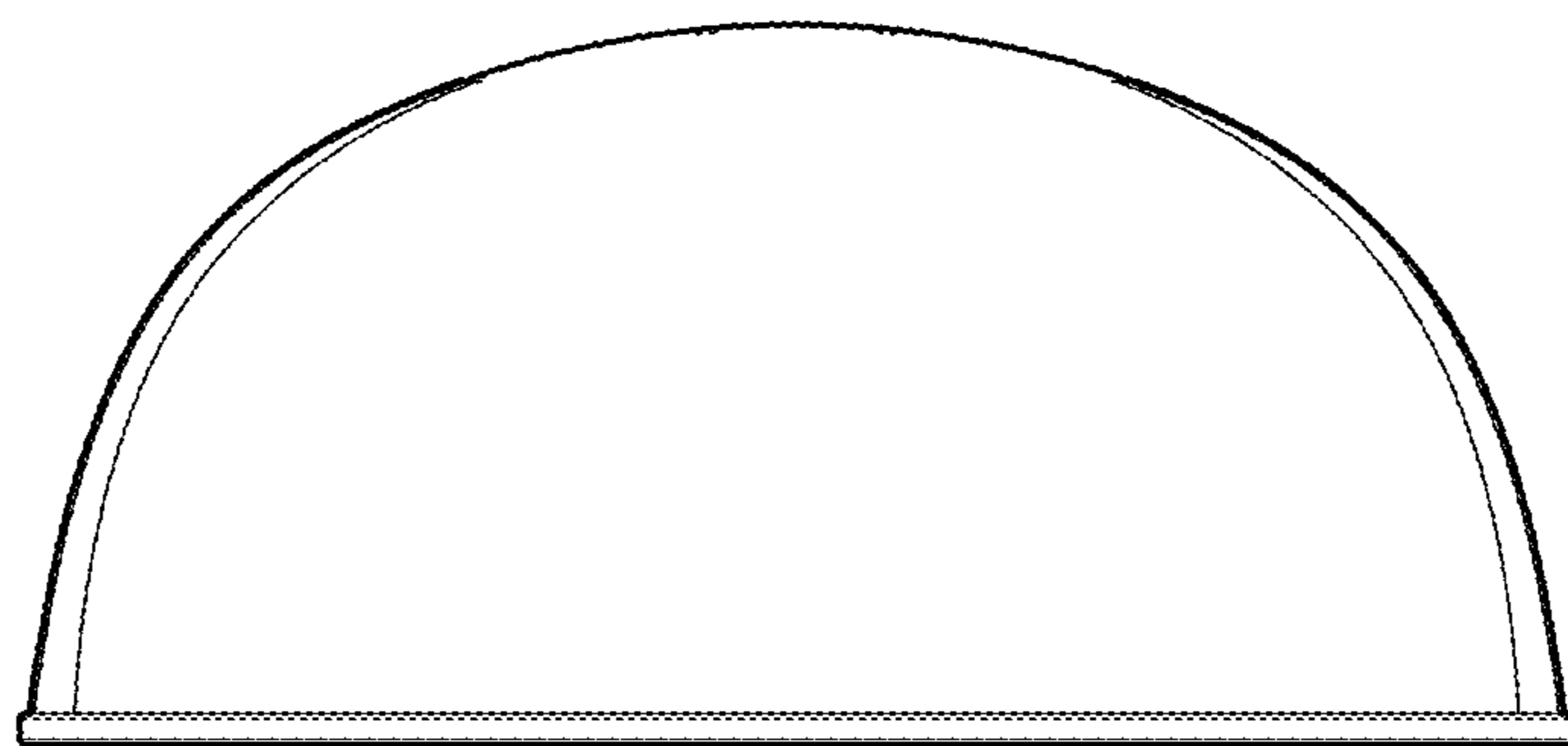


FIG. 22

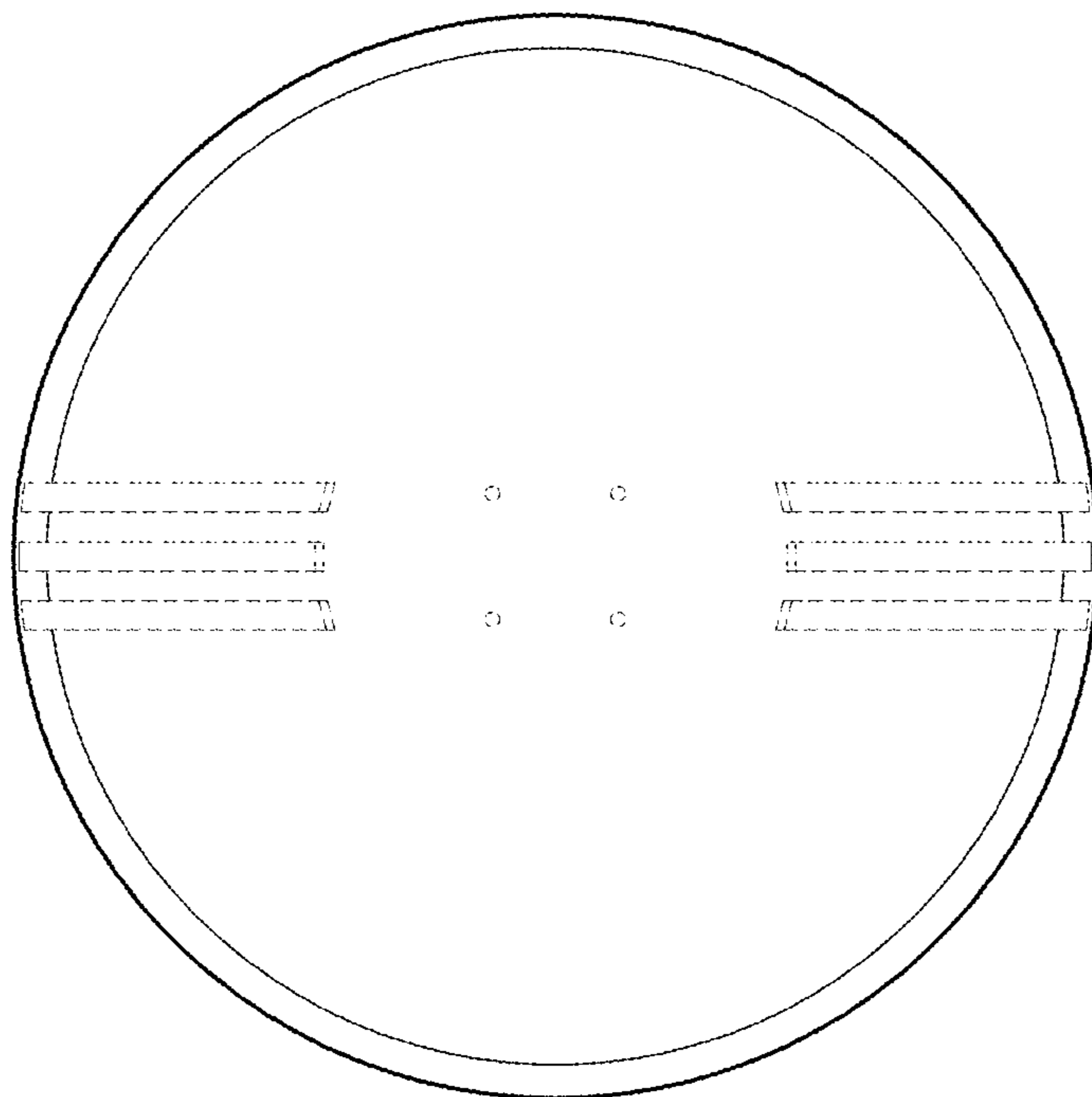


FIG. 23

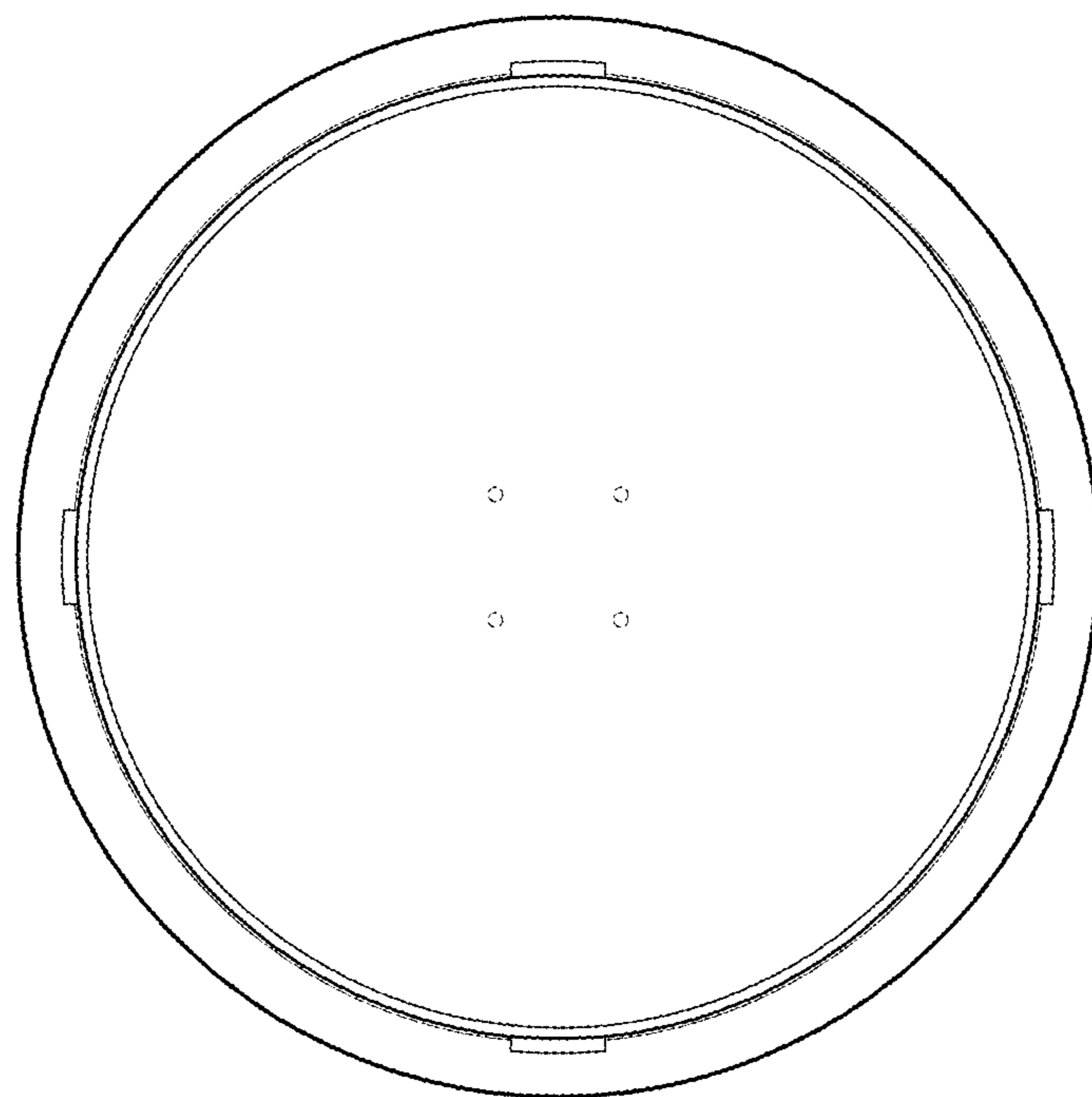


FIG. 24

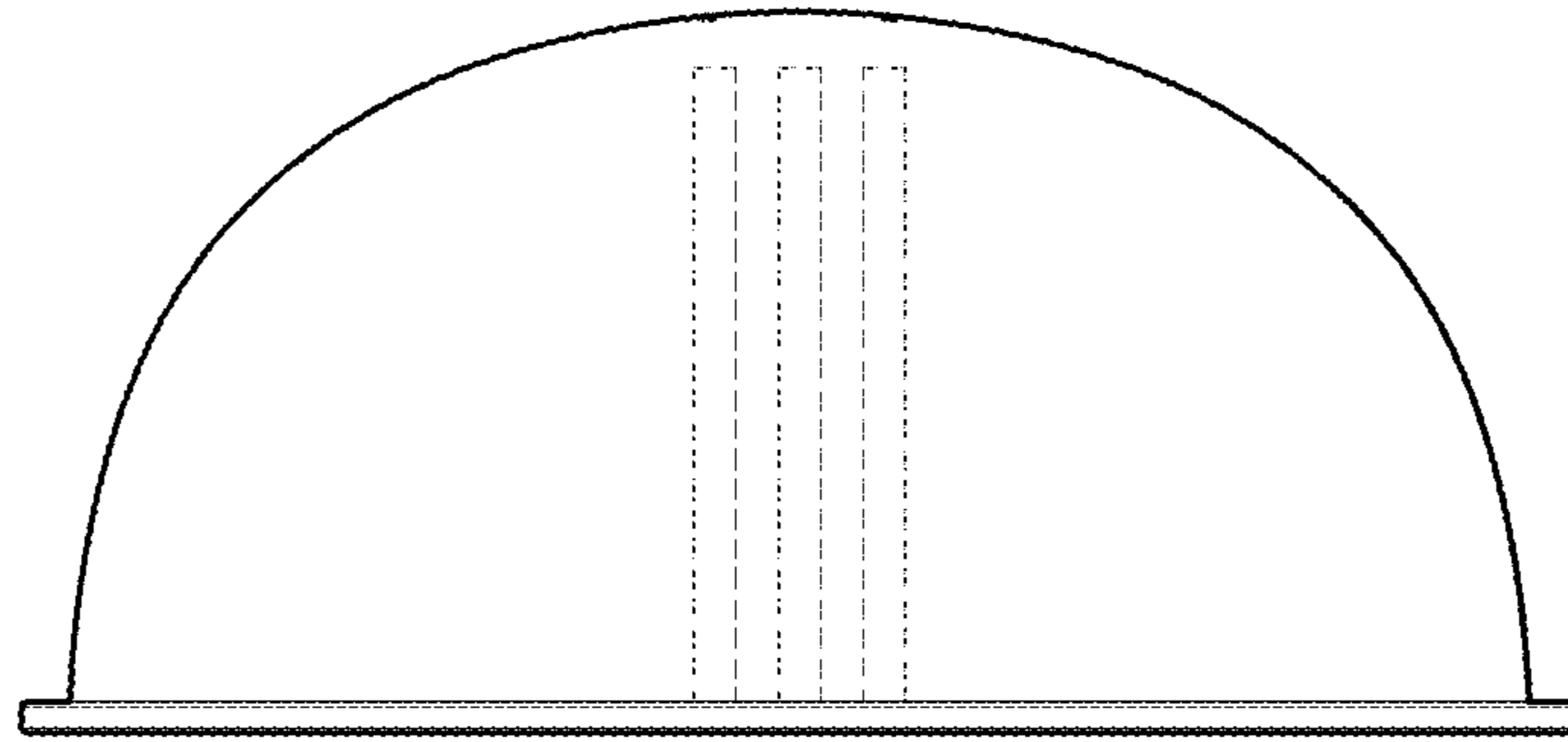


FIG. 25

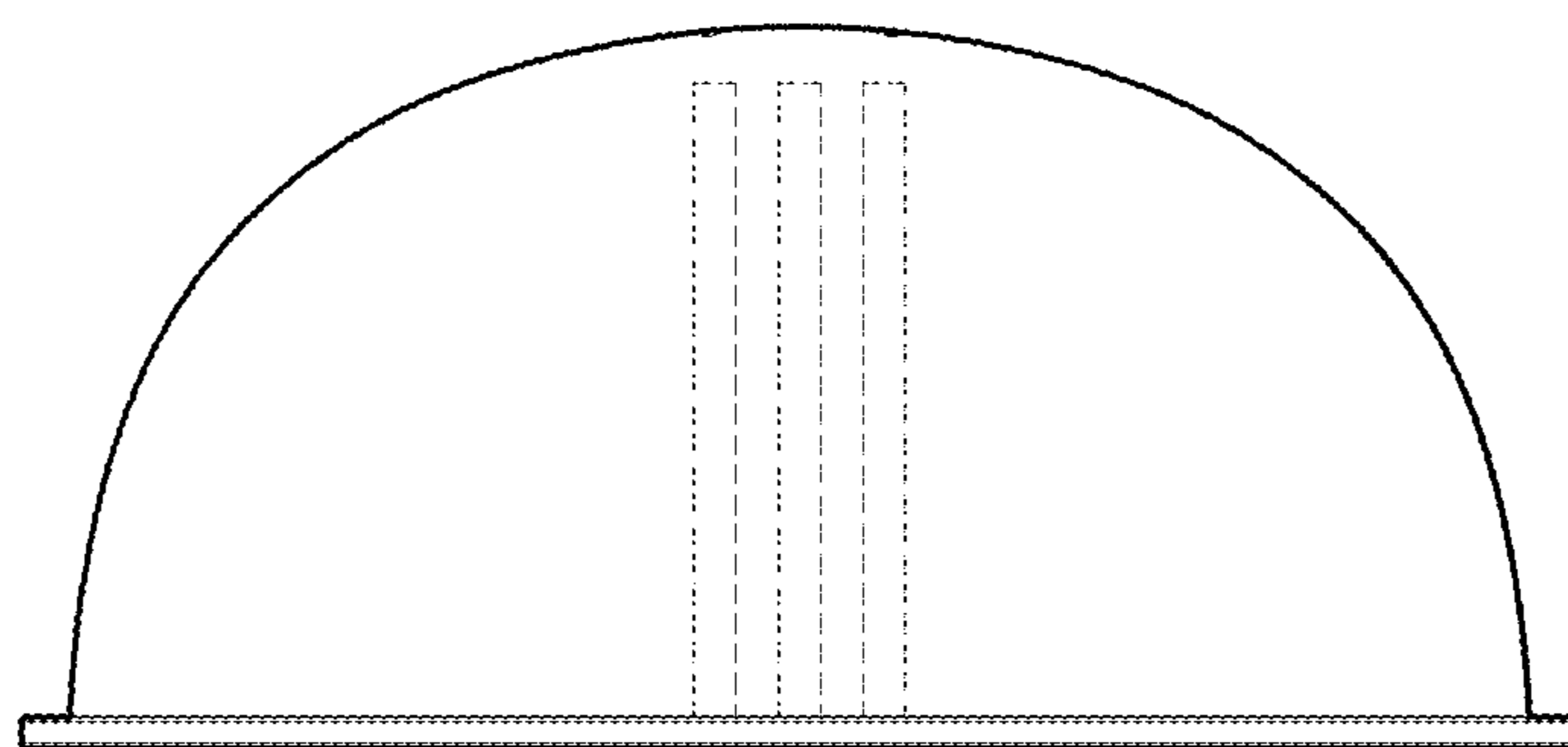


FIG. 26