



US00D787878S

(12) **United States Design Patent** (10) **Patent No.:** **US D787,878 S**
Kim et al. (45) **Date of Patent:** **** *May 30, 2017**

(54) **OVEN**

(56) **References Cited**

(71) Applicant: **Samsung Electronics Co., Ltd.**,
Suwon-si (KR)

(72) Inventors: **Taikyung Kim**, Seoul (KR); **Jaejun Kim**, Seoul (KR); **Hyeongju Seo**, Seoul (KR)

(73) Assignee: **SAMSUNG ELECTRONICS CO., LTD.**, Suwon-si (KR)

U.S. PATENT DOCUMENTS

D688,518	S	*	8/2013	Baek	D7/402
D690,994	S	*	10/2013	Baek	D7/405
D724,889	S	*	3/2015	Borjesson	D7/349
D728,300	S	*	5/2015	Borjesson	D7/349
D741,104	S	*	10/2015	Funnell, II	D7/348
D750,413	S	*	3/2016	Funnell, II	D7/348
D754,476	S	*	4/2016	Crookshanks	D7/405
D762,086	S	*	7/2016	Kim	D7/405
D762,415	S	*	8/2016	Chung	D7/405
D763,617	S	*	8/2016	Kim	D7/339
D764,230	S	*	8/2016	Shoemaker	D7/405
D764,854	S	*	8/2016	Kim	D7/339
D766,030	S	*	9/2016	Chung	D7/348
2014/0070685	A1	*	3/2014	Yantis	F24C 15/02 312/319.2

(*) Notice: This patent is subject to a terminal disclaimer.

(**) Term: **15 Years**

* cited by examiner

(21) Appl. No.: **29/554,621**

Primary Examiner — Robin V Webster

(22) Filed: **Feb. 12, 2016**

Assistant Examiner — James Thorn, Sr.

(30) **Foreign Application Priority Data**

Aug. 28, 2015 (KR) 30-2015-0043535

(74) *Attorney, Agent, or Firm* — McAndrews Held & Malloy, Ltd.

(51) **LOC (10) Cl.** **07-02**

(57) **CLAIM**

The ornamental design for an oven, as shown and described.

(52) **U.S. Cl.**
USPC **D7/348**; D7/349

DESCRIPTION

(58) **Field of Classification Search**
USPC D7/350.1, 348, 323, 339, 347, 402, 405,
D7/349, 350.3, 328; D8/303, 308
CPC ... A21B 2/00; A47J 37/00; A47J 37/06; A47J
37/0611; A47J 37/08; A47J 37/0807;
A47J 37/0814; A47J 37/0835; A47J
37/0842; A47J 37/085; A47J 37/0864;
A47J 37/0878; A47J 37/0885; A47J
37/0892; F24C 7/00; F24C 7/002; F24C
7/046; F24C 7/067; F24C 15/02; F24C
15/04; F24C 15/10; F24C 15/102

FIG. 1 is a top perspective view of an oven showing our new design;
FIG. 2 is a front elevation view thereof;
FIG. 3 is a rear elevation view thereof;
FIG. 4 is a left-side elevation view thereof;
FIG. 5 is a right-side elevation view thereof;
FIG. 6 is a top plan view thereof; and,
FIG. 7 is a bottom plan view thereof.
The broken lines shown in the drawings are included for the purpose of illustrating environmental structure and form no part of the claimed design.

See application file for complete search history.

1 Claim, 7 Drawing Sheets

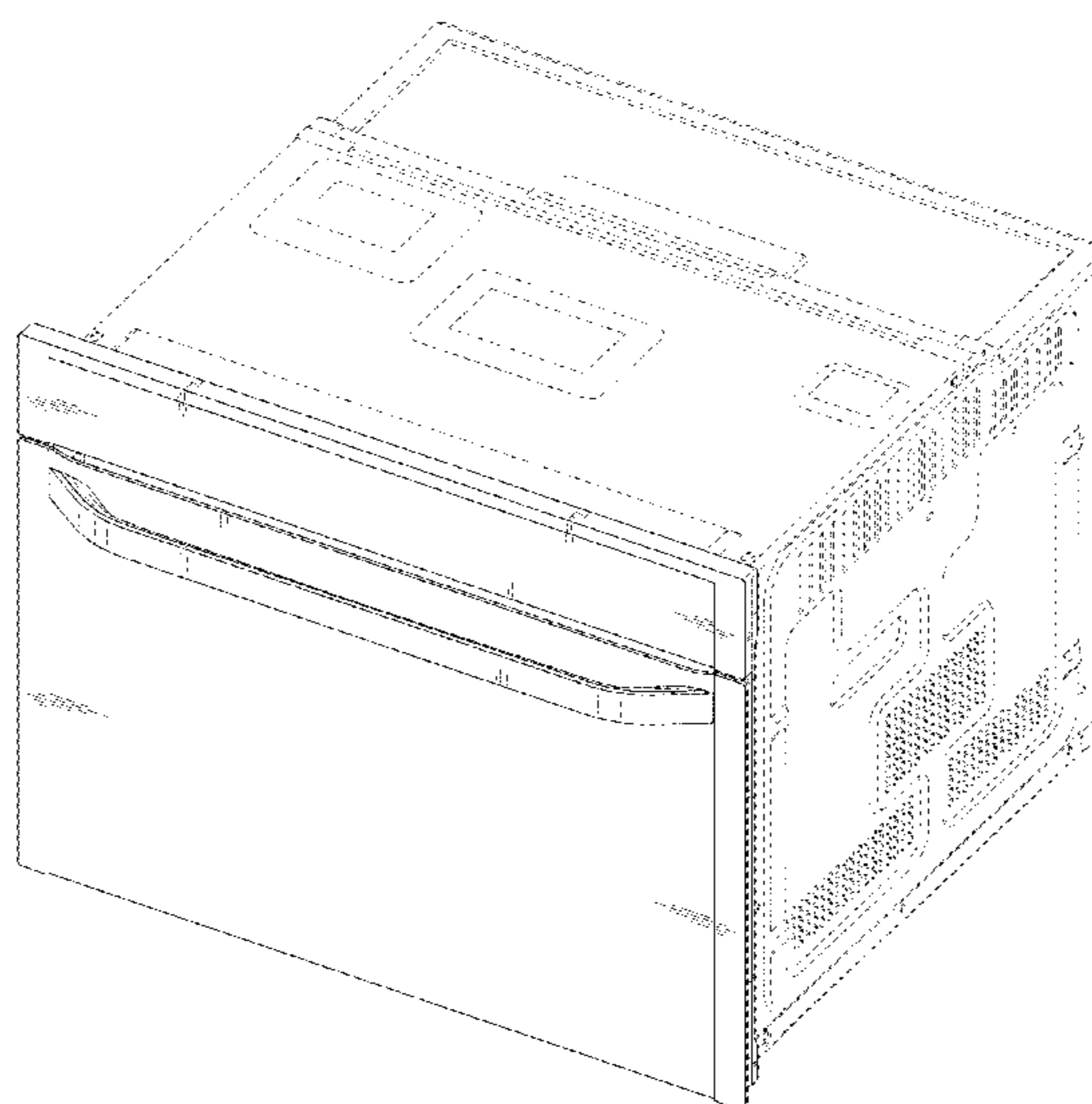


FIG. 1

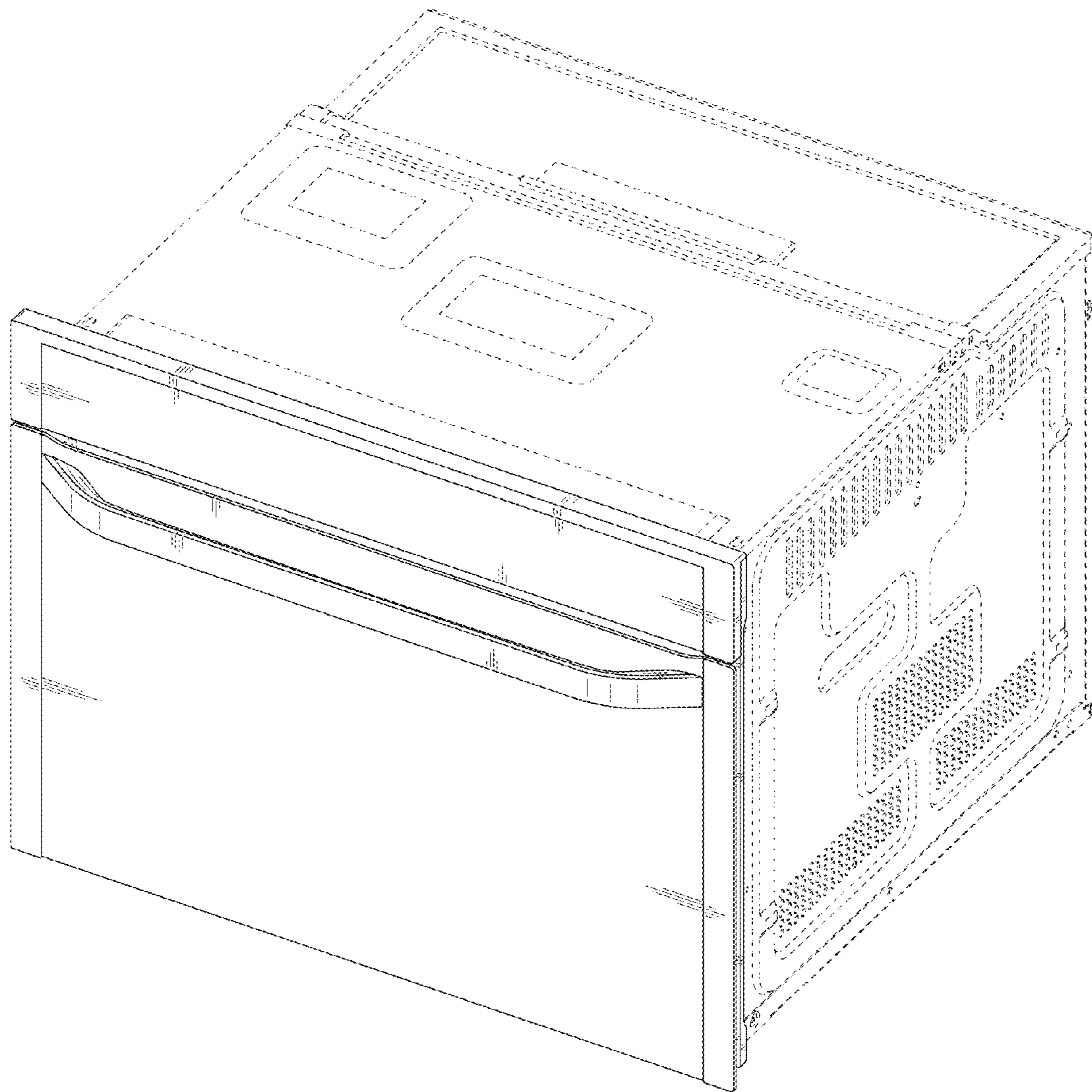


FIG. 2

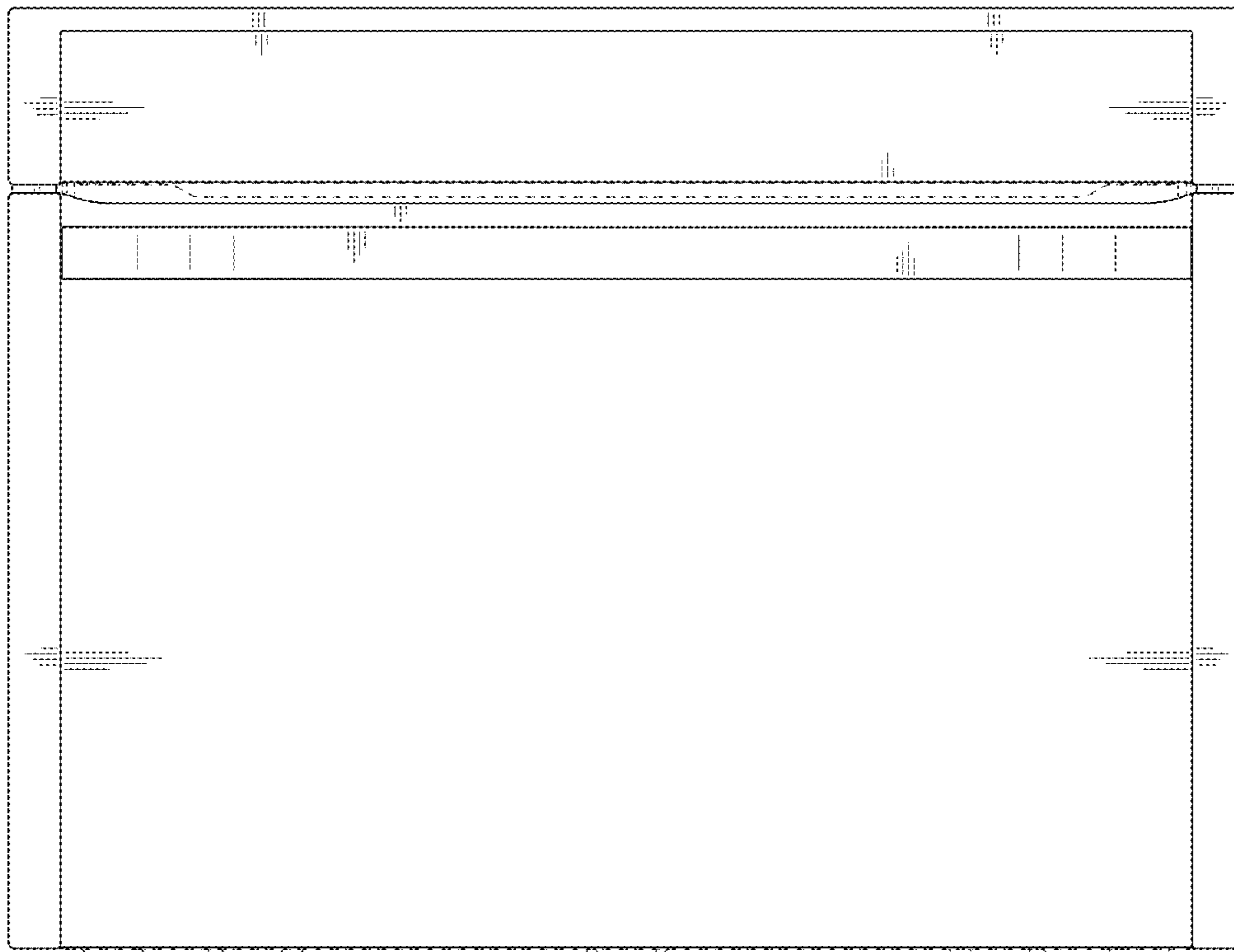


FIG. 3

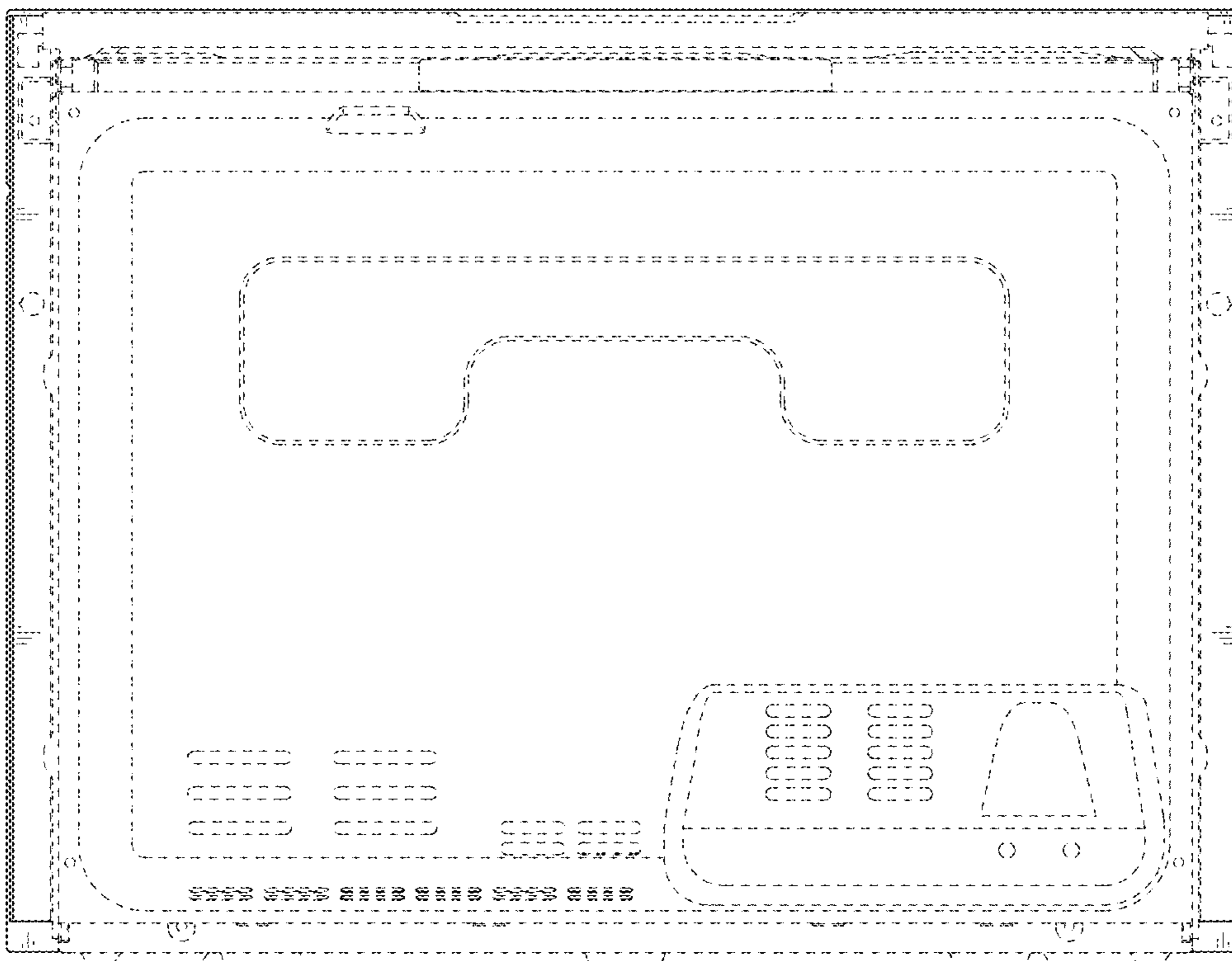


FIG. 4

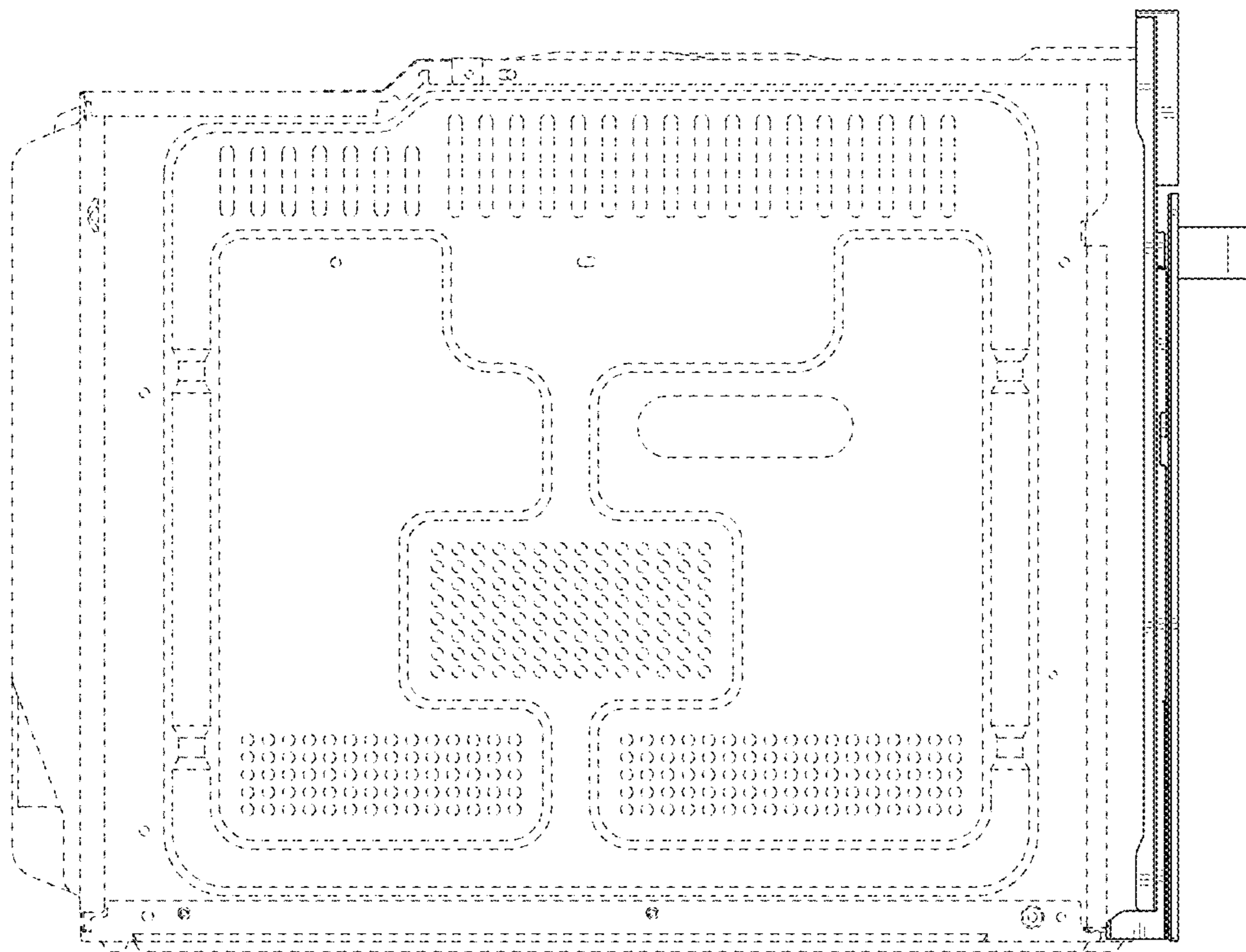


FIG. 5

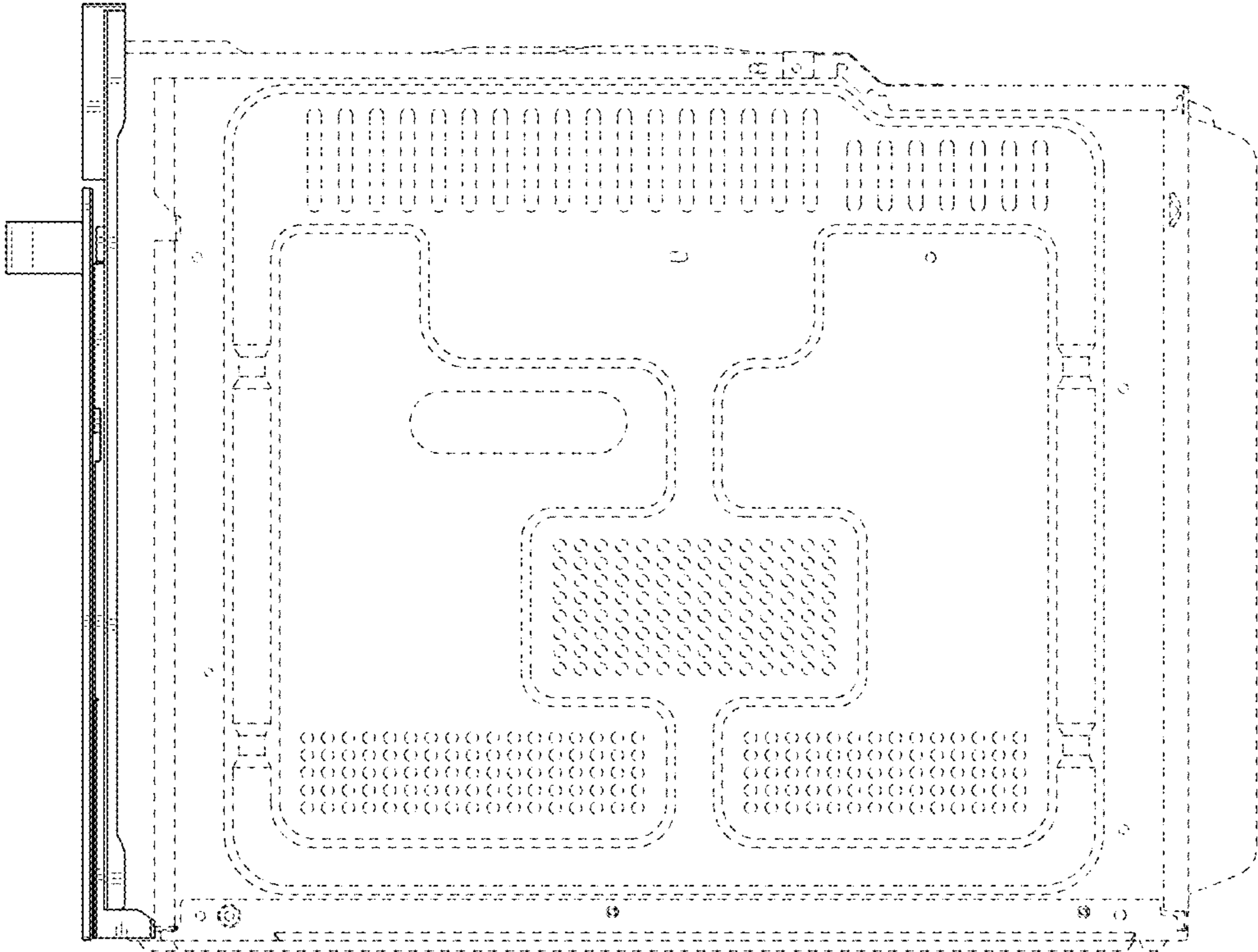


FIG. 6

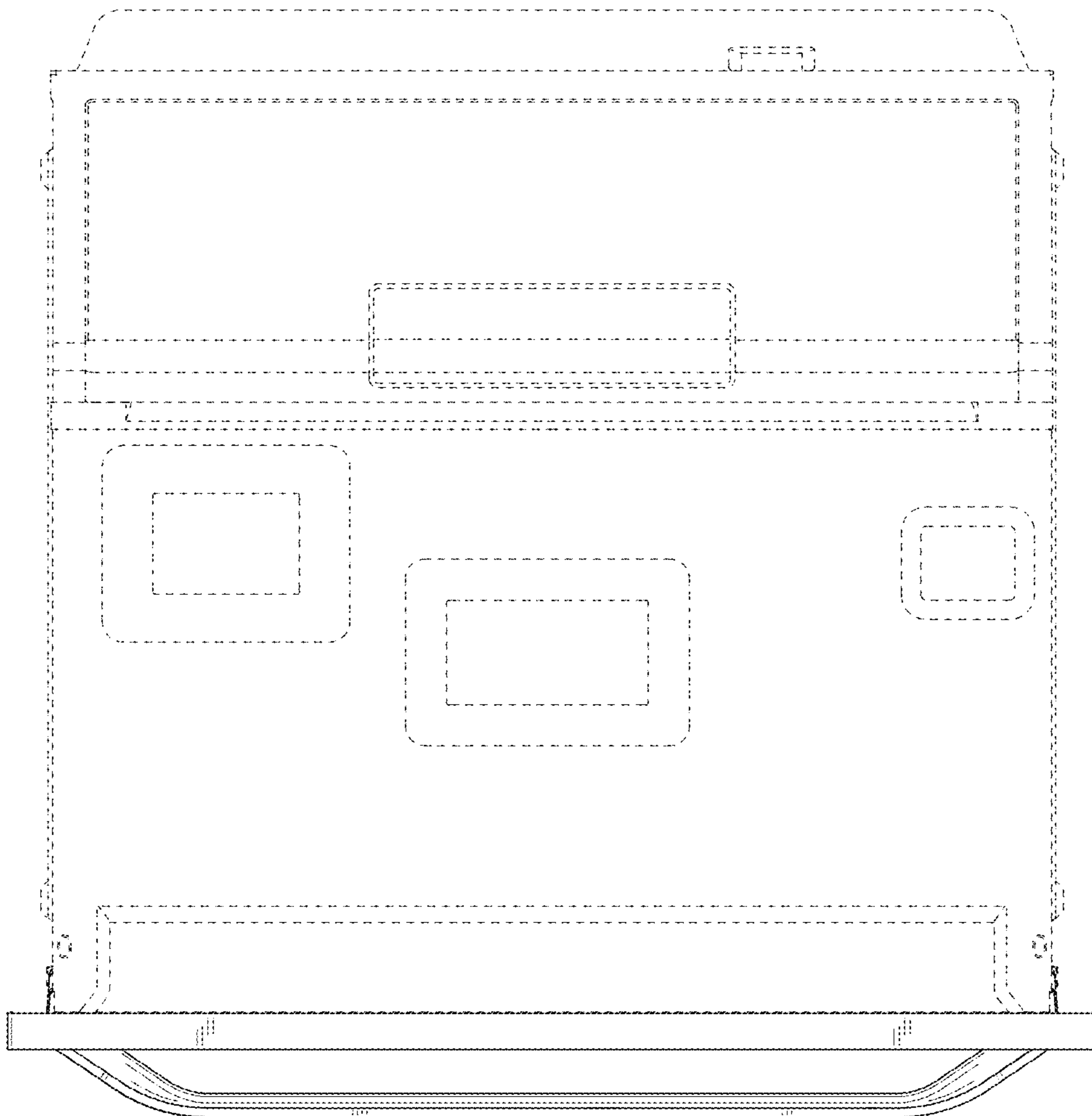


FIG. 7

