



US00D787877S

(12) **United States Design Patent**  
**Hellwinkel**

(10) **Patent No.:** **US D787,877 S**

(45) **Date of Patent:** **\*\* May 30, 2017**

(54) **GRILL**

(71) Applicant: **Robin Hellwinkel**, Hemer (DE)

(72) Inventor: **Robin Hellwinkel**, Hemer (DE)

(73) Assignee: **ERNST NEUMAERKER GMBH & CO. KG**, Hemer (DE)

(\*\*) Term: **14 Years**

(21) Appl. No.: **29/517,862**

(22) Filed: **Feb. 18, 2015**

(30) **Foreign Application Priority Data**

Aug. 22, 2014 (EM) ..... 002523381

(51) **LOC (10) Cl.** ..... **07-02**

(52) **U.S. Cl.**  
USPC ..... **D7/332**

(58) **Field of Classification Search**

USPC ..... D7/332-337, 402, 323, 327, 339-341,  
D7/403, 347, 348, 350.1, 407, 362, 352,  
D7/363, 367; D34/12, 17, 19, 20;  
D23/286

CPC ..... A47J 37/0704; A47J 37/0786; A47J  
37/0763; A47J 37/0713; A47J 37/0781;  
A47J 2037/0777; A47J 33/00; F24C 3/14;  
F24C 7/10; F24C 15/18; F24C 15/12;  
F24C 5/20; F24B 1/207; F23D 14/06;  
F23D 14/26

See application file for complete search history.

(56) **References Cited**

**U.S. PATENT DOCUMENTS**

D83,196 S \* 2/1931 Gratz ..... D7/352  
D275,640 S \* 9/1984 Hoglund ..... D3/292

D294,217 S \* 2/1988 Haglund ..... D7/337  
5,086,752 A \* 2/1992 Hait ..... A47J 37/0704  
126/25 R  
D333,941 S \* 3/1993 Hait ..... D34/7  
5,218,950 A \* 6/1993 Hait ..... A47J 37/0704  
126/25 R  
D367,799 S \* 3/1996 Pai ..... D7/332  
D548,514 S \* 8/2007 Huang ..... D7/335  
D575,572 S \* 8/2008 Griffard ..... D7/335

\* cited by examiner

*Primary Examiner* — Susan Bennett Hattan

*Assistant Examiner* — Brett Miller

(74) *Attorney, Agent, or Firm* — Andrew Wilford

(57) **CLAIM**

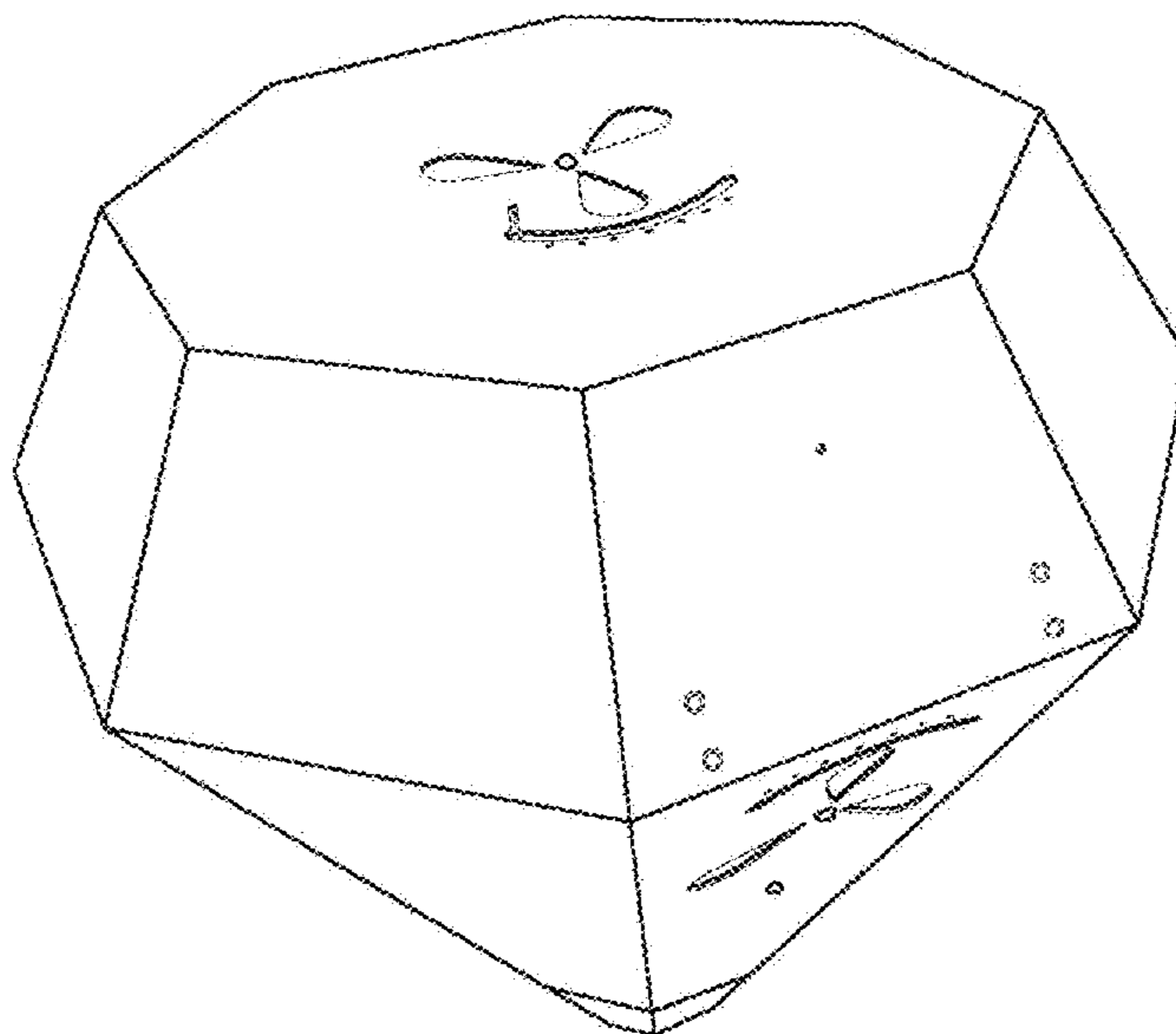
The ornamental design for a grill, as shown and described.

**DESCRIPTION**

FIG. 1 is a perspective view from above of the invention;  
FIG. 2 is a front perspective view of the invention;  
FIG. 3 is a back perspective view of the invention;  
FIG. 4 is a right-side perspective view of the invention;  
FIG. 5 is a bottom perspective view of the invention;  
FIG. 6 is a view like FIG. 5, but with the bottom cap removed;  
FIG. 7 is a top perspective view of the invention; and,  
FIG. 8 a side view of the invention with a disclaimed hinge on one side and a disclaimed handle on another, and set in a disclaimed rolling stand.

The broken lines depict environment and form no part of the claimed design.

**1 Claim, 5 Drawing Sheets**



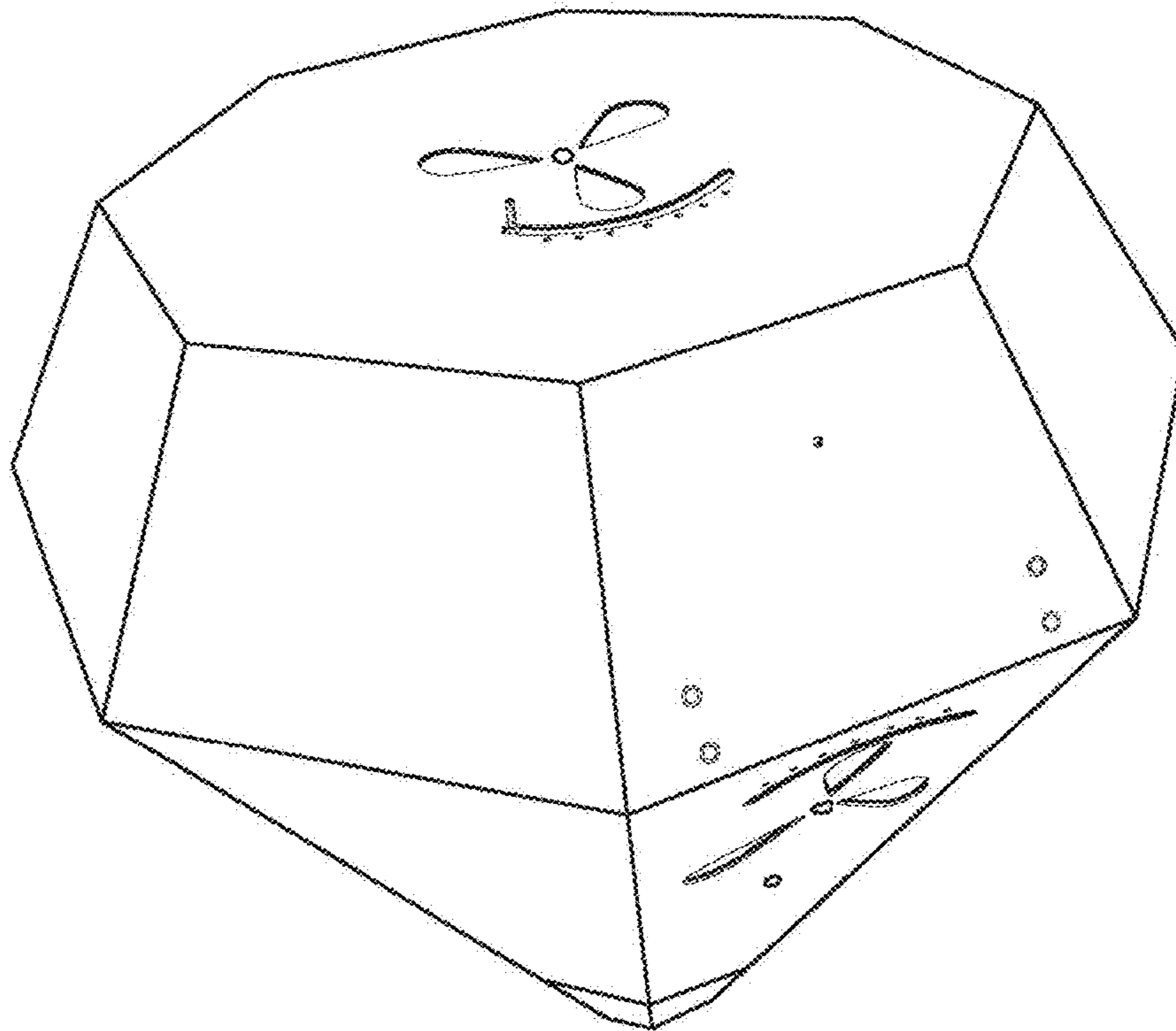


FIG. 1

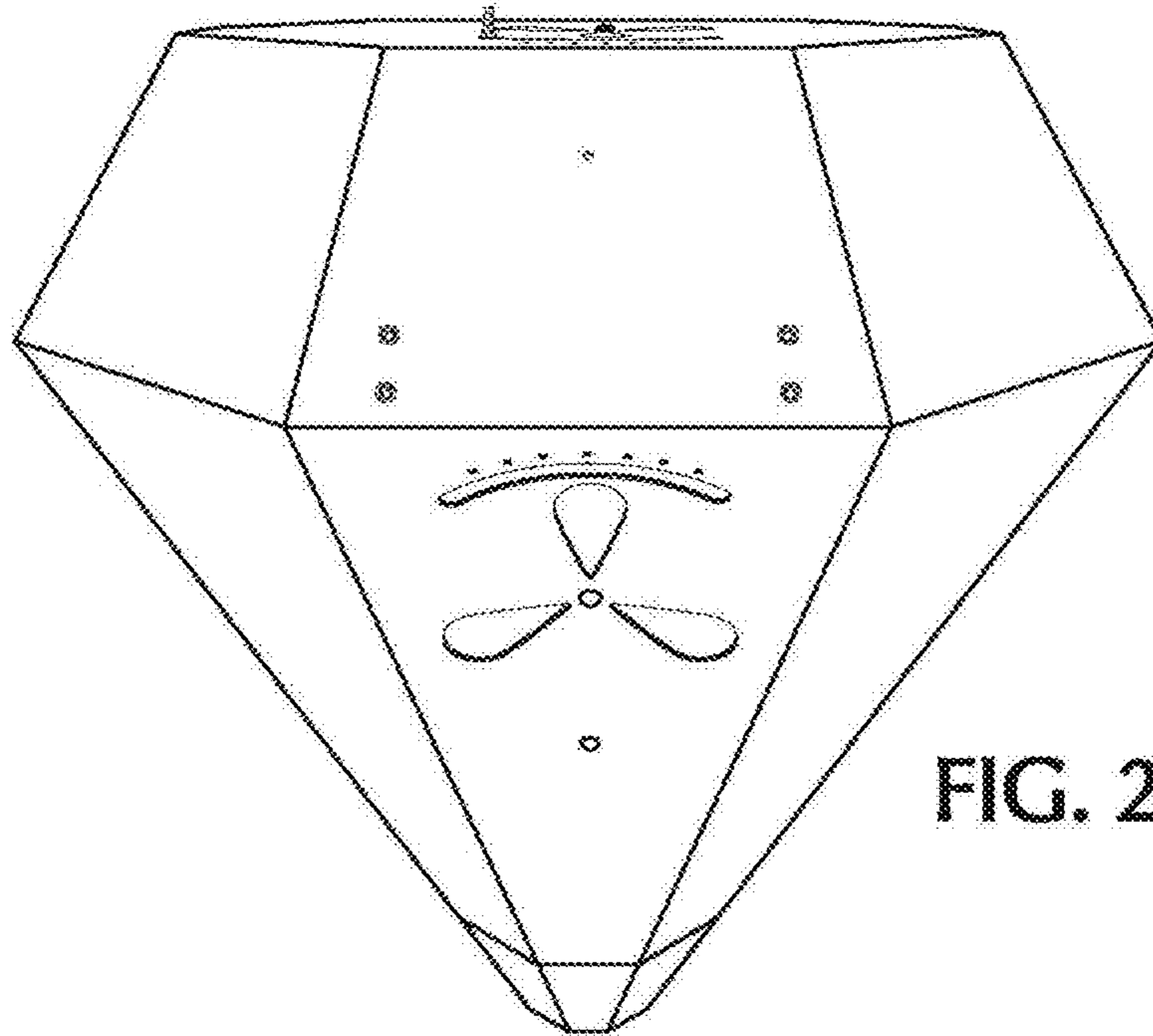


FIG. 2

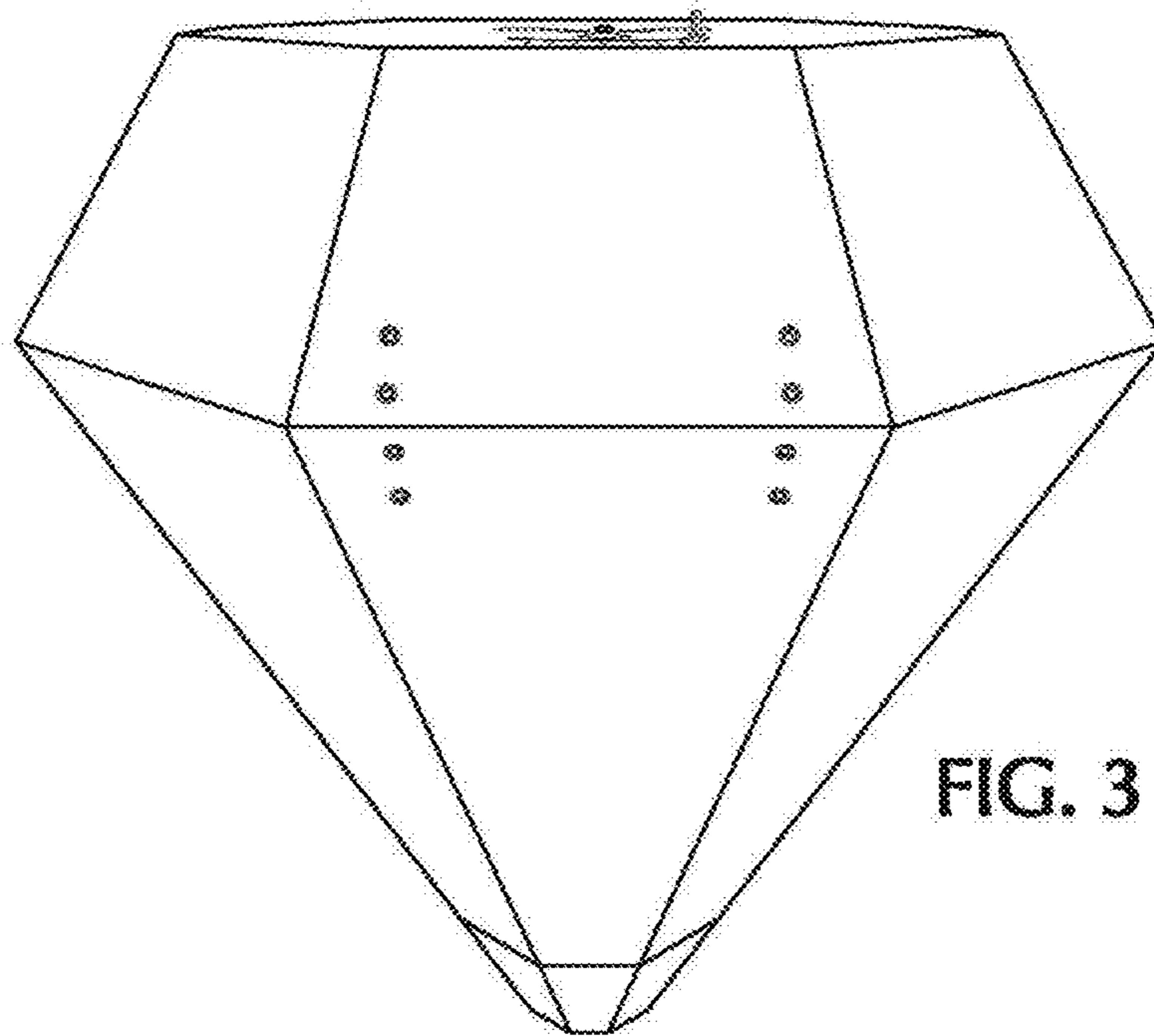


FIG. 3

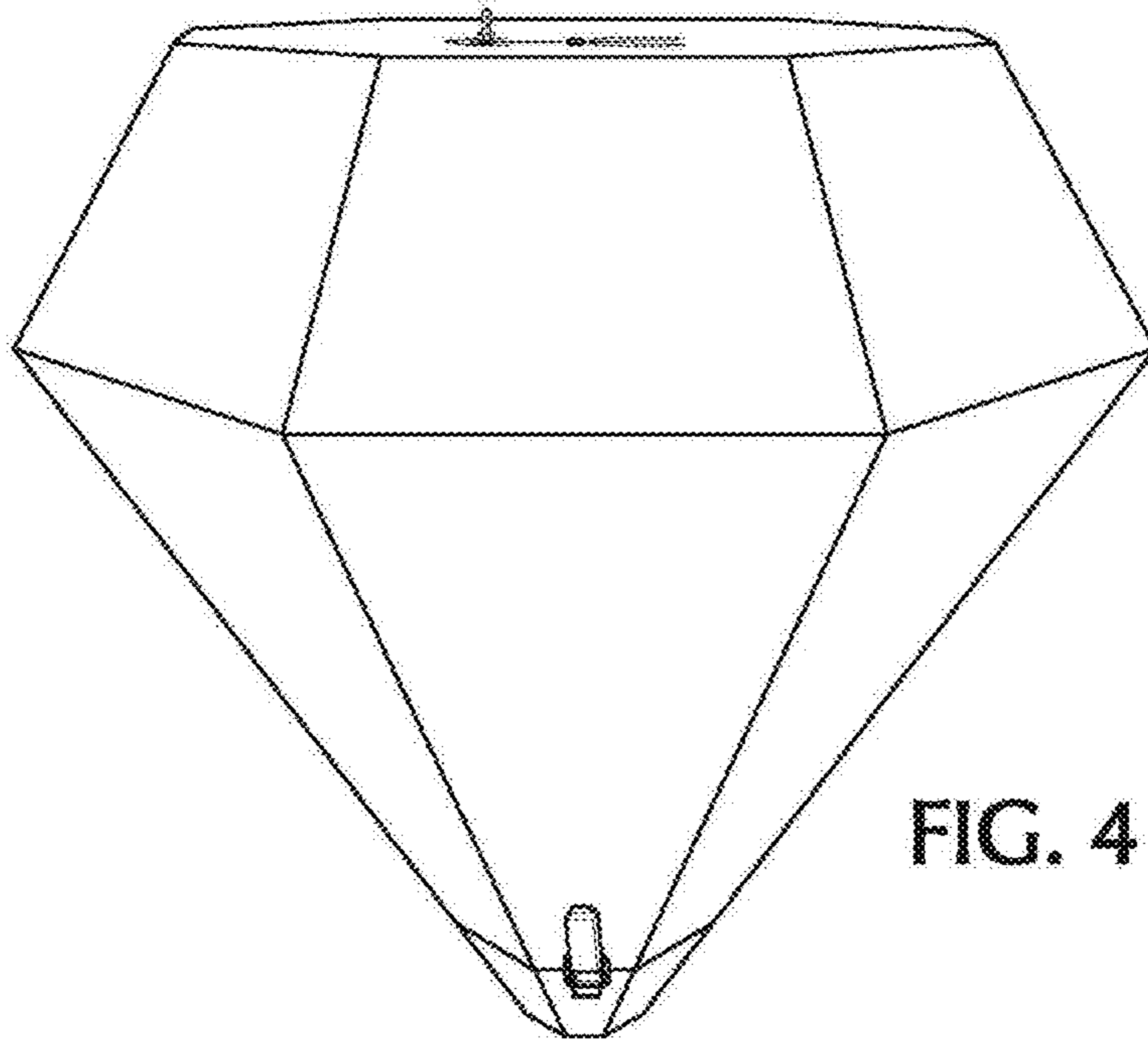


FIG. 4

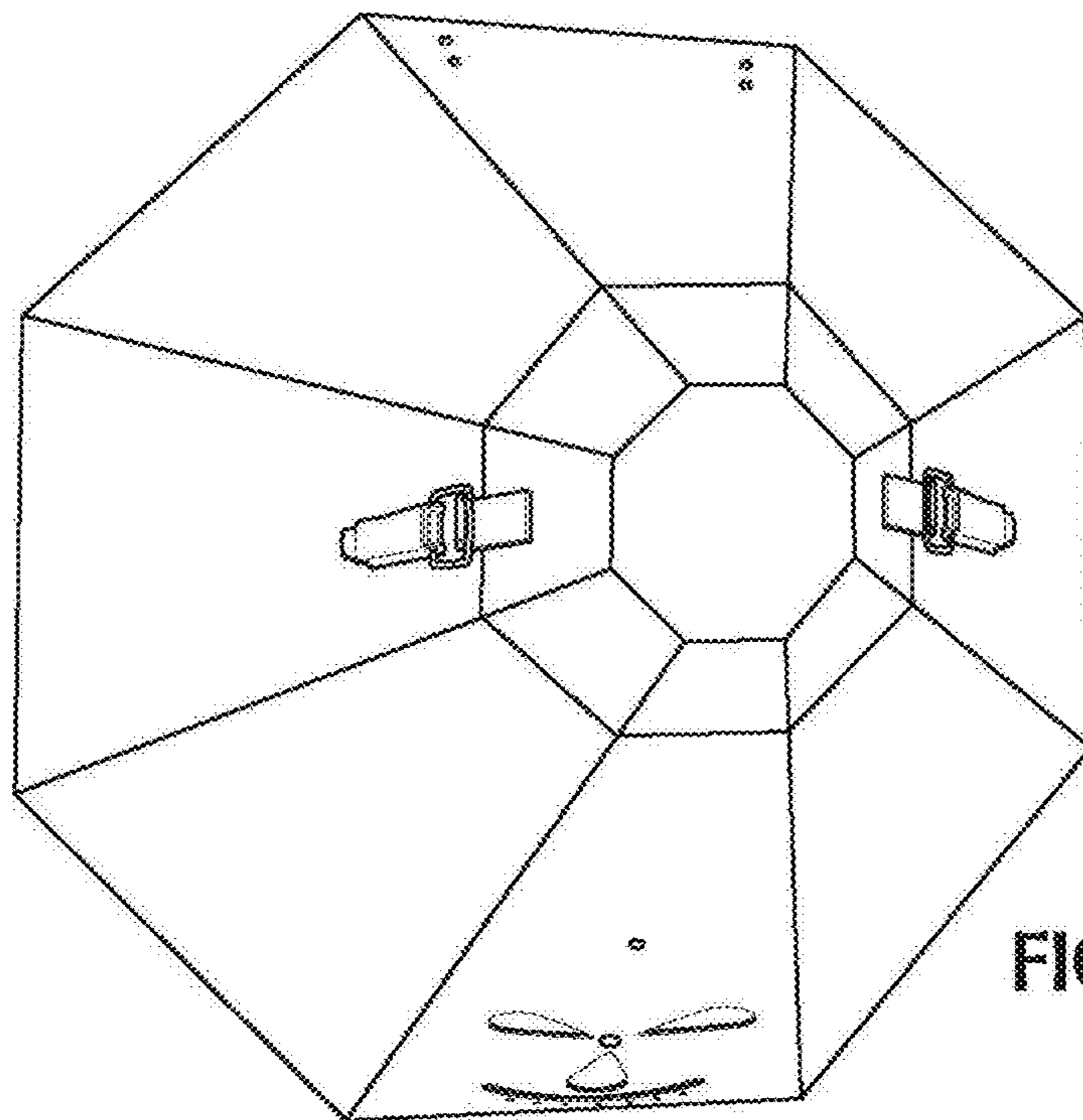


FIG. 5

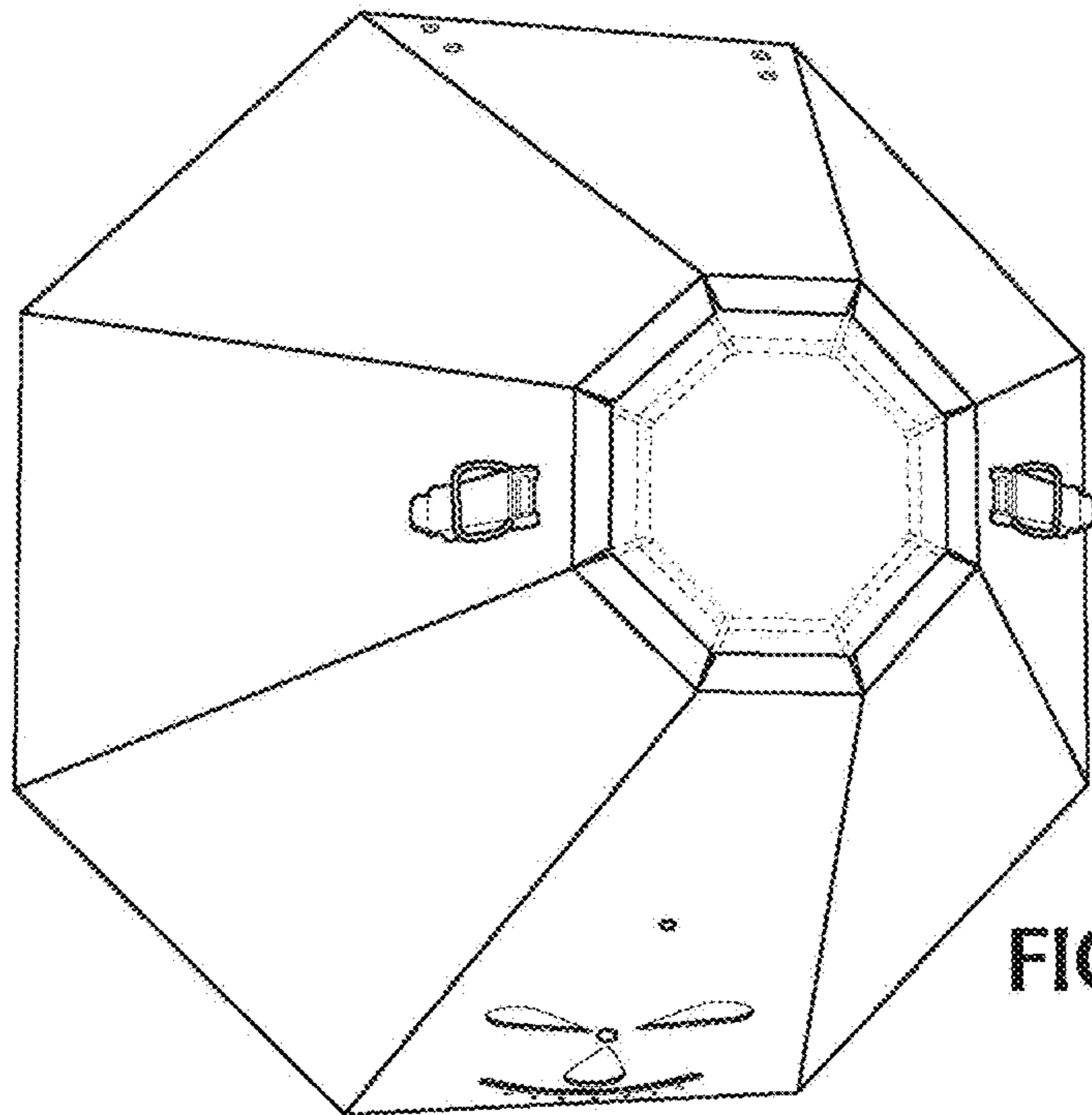


FIG. 6

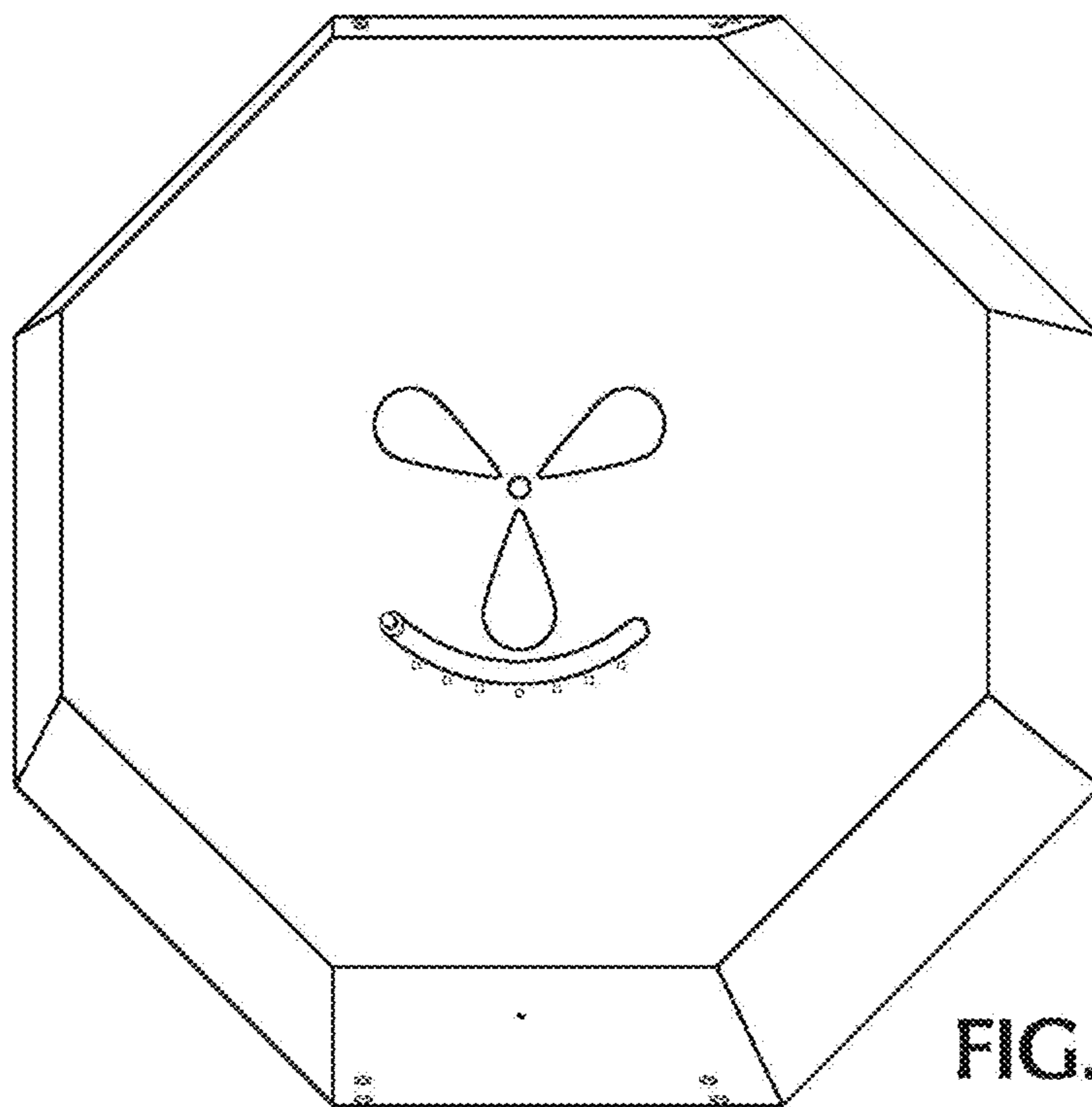


FIG. 7

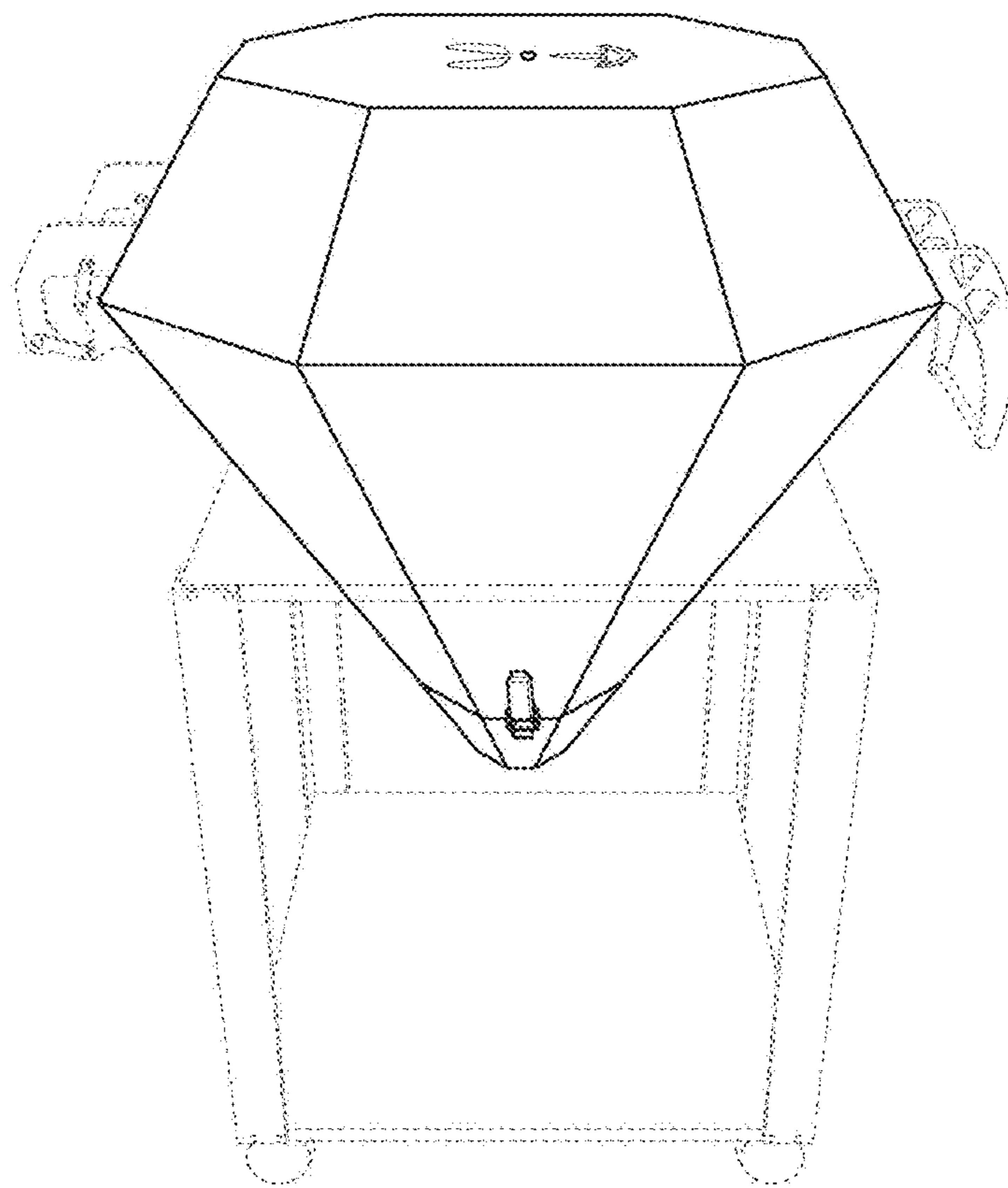


FIG. 8