



US00D787871S

(12) **United States Design Patent** (10) **Patent No.:** **US D787,871 S**  
**Roso** (45) **Date of Patent:** **\*\* May 30, 2017**

- (54) **FOOT FOR OUTDOOR FURNITURE**
- (71) Applicant: **Urban Outdoor Company, LLC**, Gig Harbor, WA (US)
- (72) Inventor: **Daniel Roso**, Gig Harbor, WA (US)
- (73) Assignee: **Urban Outdoor Company, LLC**, Gig Harbor, WA (US)
- (\*\*) Term: **14 Years**
- (21) Appl. No.: **29/510,737**
- (22) Filed: **Dec. 2, 2014**
- (51) **LOC (10) Cl.** ..... **06-04**
- (52) **U.S. Cl.**  
USPC ..... **D6/710**
- (58) **Field of Classification Search**  
USPC ..... D6/480, 481, 482, 483, 484, 485, 486,  
D6/487, 488, 489, 495, 496, 497, 498,  
D6/499, 710; D8/374, 375  
See application file for complete search history.

|                |         |                  |                            |
|----------------|---------|------------------|----------------------------|
| D423,340 S *   | 4/2000  | Sittig .....     | D8/374                     |
| D429,098 S *   | 8/2000  | Zaidman .....    | D6/710                     |
| D450,951 S *   | 11/2001 | Sikora .....     | D6/710                     |
| 6,435,047 B1 * | 8/2002  | Kitagawa .....   | F04B 27/0878<br>29/898.048 |
| D469,992 S *   | 2/2003  | Lasota .....     | D6/710                     |
| D477,476 S *   | 7/2003  | Levitt .....     | D6/710                     |
| D479,065 S *   | 9/2003  | Verbeek .....    | D6/710                     |
| D486,061 S *   | 2/2004  | Mullins .....    | D8/400                     |
| D490,631 S *   | 6/2004  | Risdon .....     | D6/710                     |
| D491,393 S *   | 6/2004  | Kelterborn ..... | D6/710                     |

(Continued)

*Primary Examiner* — Garth Rademaker  
*Assistant Examiner* — Christopher J Matthews  
(74) *Attorney, Agent, or Firm* — Christensen O'Connor Johnson Kindness PLLC

(57) **CLAIM**

The ornamental design for a foot for outdoor furniture, as shown and described.

**DESCRIPTION**

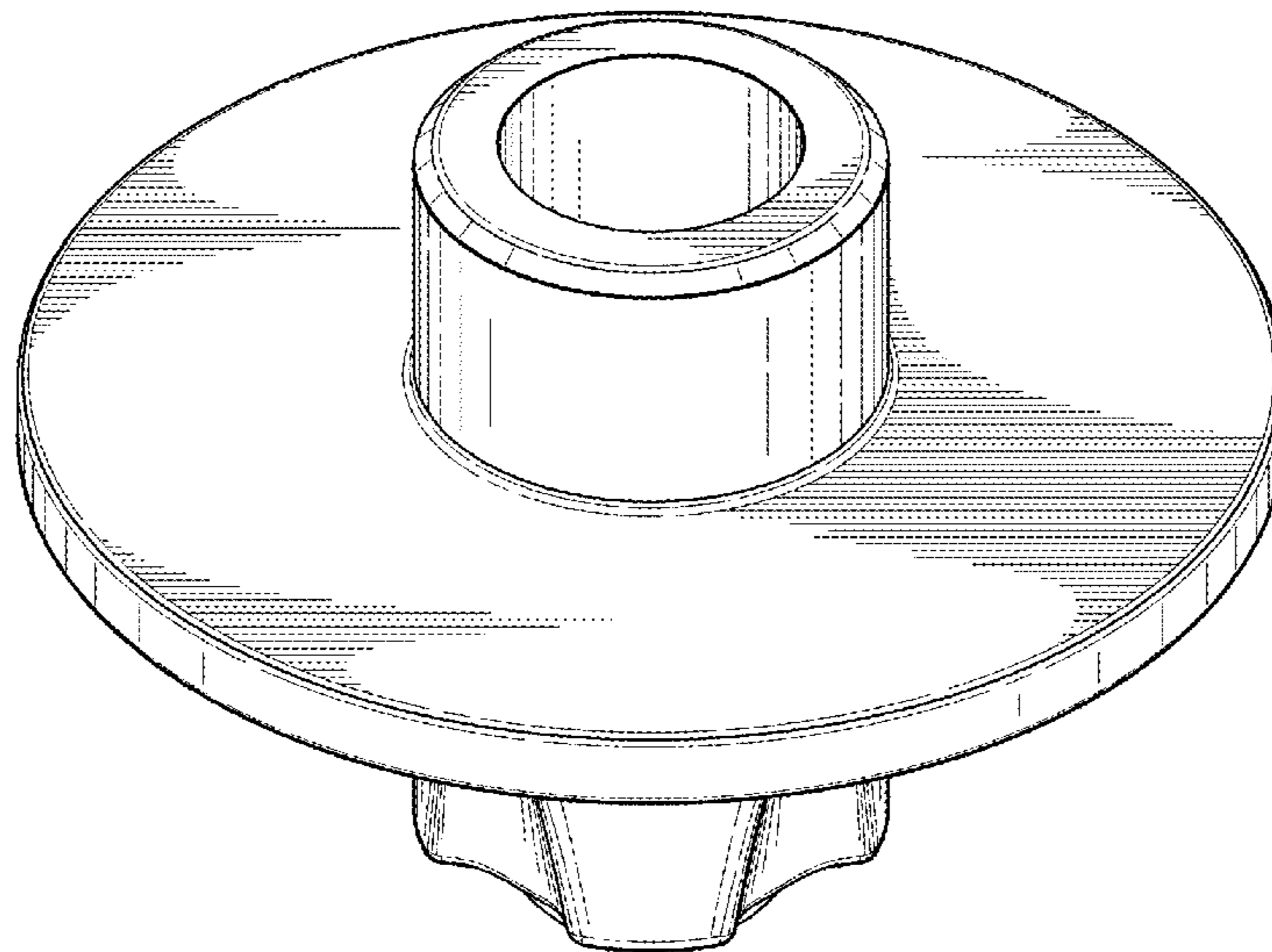
FIG. 1 is an upper perspective view of a foot for outdoor furniture in accordance with the present design;  
FIG. 2 is a lower perspective view of the foot for outdoor furniture shown in FIG. 1;  
FIG. 3 is a front view of the foot for outdoor furniture shown in FIG. 1, with the rear, left side, and right side views being identical thereto;  
FIG. 4 is a top plan view of the foot for outdoor furniture shown in FIG. 1;  
FIG. 5 is a bottom plan view of the foot for outdoor furniture shown in FIG. 1; and,  
FIG. 6 is a cross-section view of the foot for outdoor furniture shown in FIG. 1, taken along line 6-6 of FIG. 5; and,  
FIG. 7 is a cross-section view of the foot for outdoor furniture shown in FIG. 1, taken along line 7-7 of FIG. 5.

**1 Claim, 7 Drawing Sheets**

(56) **References Cited**

U.S. PATENT DOCUMENTS

|              |         |                 |           |
|--------------|---------|-----------------|-----------|
| D62,960 S *  | 8/1923  | Pettibone ..... | D6/710    |
| D173,835 S * | 1/1955  | Chapman .....   | D8/374    |
| D179,938 S * | 3/1957  | Fisher .....    | D6/710    |
| D195,853 S * | 8/1963  | Ogden .....     | D6/708.21 |
| D230,235 S * | 2/1974  | Green .....     | D6/710    |
| D281,300 S * | 11/1985 | Gluck .....     | D6/708    |
| D285,883 S * | 9/1986  | Tegze .....     | D3/10     |
| D291,635 S * | 9/1987  | Dickman .....   | D3/10     |
| D305,702 S * | 1/1990  | Taliani .....   | D3/10     |
| D314,982 S * | 2/1991  | Evenson .....   | D19/75    |
| D315,997 S * | 4/1991  | Bales .....     | D6/708.2  |
| D328,210 S * | 7/1992  | Callon .....    | D6/707.2  |
| D376,713 S * | 12/1996 | Kelso .....     | D6/709.18 |
| D382,426 S * | 8/1997  | Frederick ..... | D6/710    |
| D421,708 S * | 3/2000  | Kuhnke .....    | D8/349    |



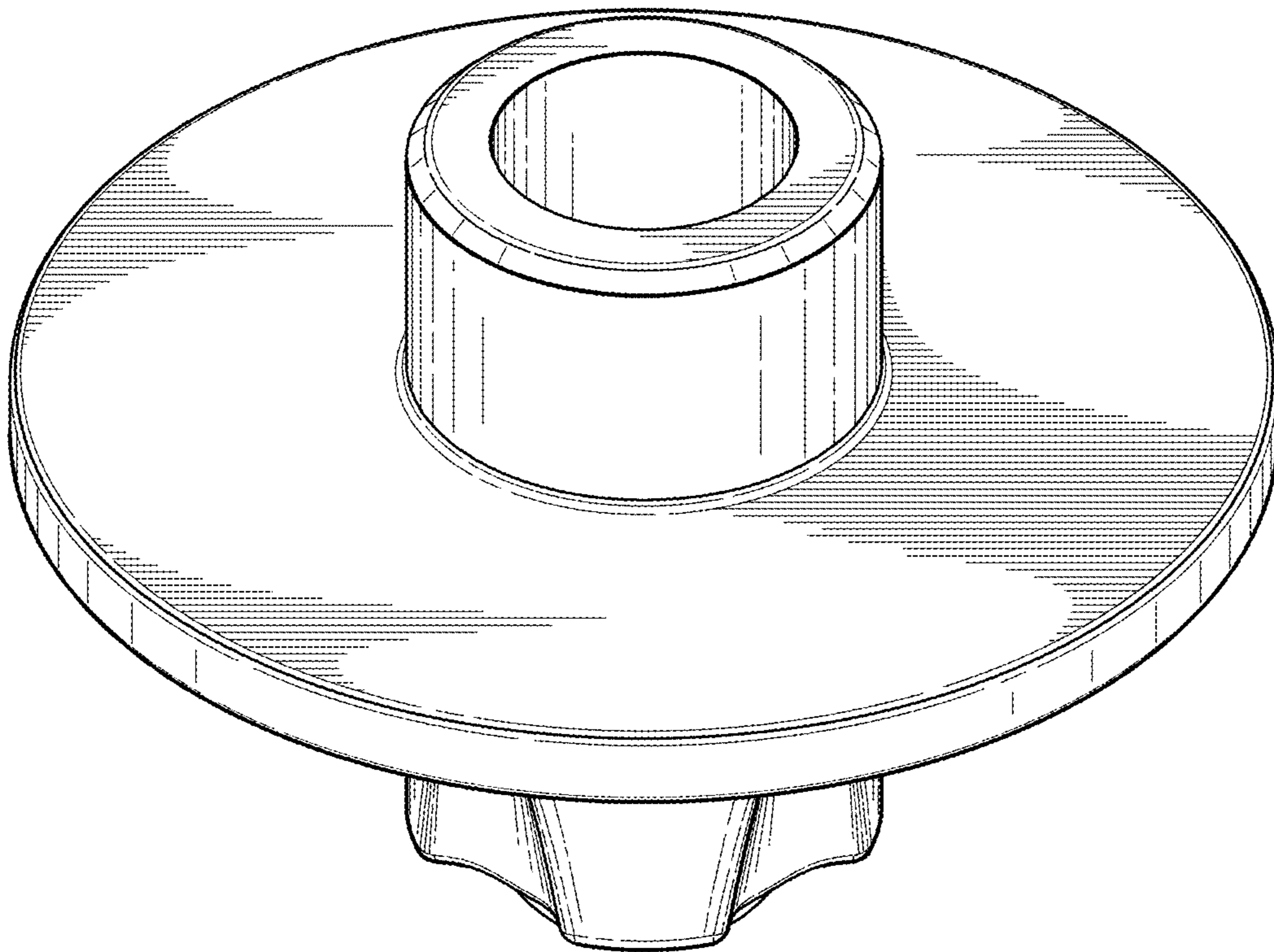
(56)

**References Cited**

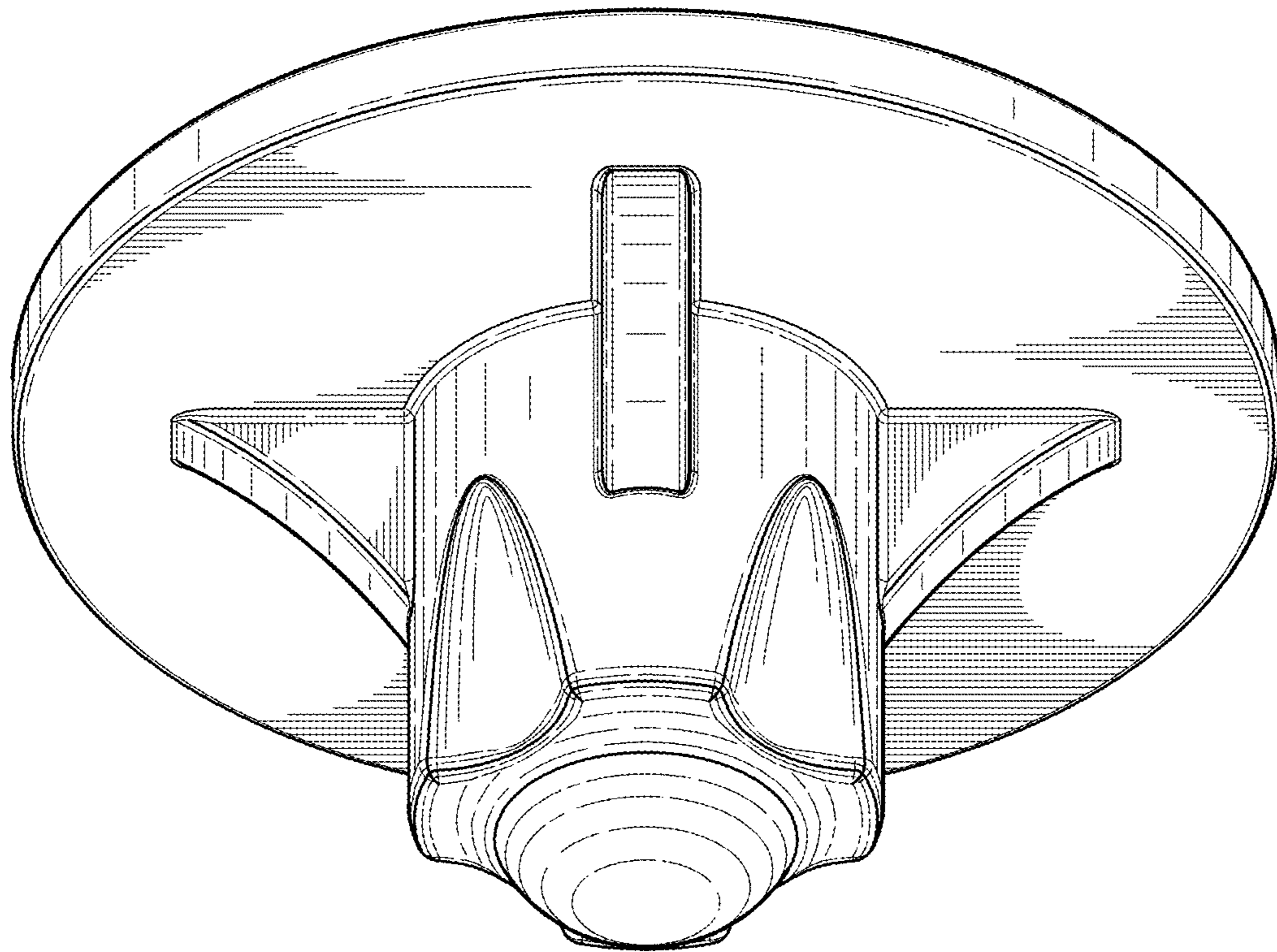
## U.S. PATENT DOCUMENTS

|          |   |   |         |                   |       |           |
|----------|---|---|---------|-------------------|-------|-----------|
| D549,013 | S | * | 8/2007  | Dale              | ..... | D6/710    |
| D566,432 | S | * | 4/2008  | Thompson          | ..... | D6/710    |
| D569,685 | S | * | 5/2008  | Liu               | ..... | D7/387    |
| D570,094 | S | * | 6/2008  | Wainwright        | ..... | D3/17     |
| D580,685 | S | * | 11/2008 | Draghici          | ..... | D6/708.2  |
| D580,686 | S | * | 11/2008 | Canova            | ..... | D6/710    |
| D581,699 | S | * | 12/2008 | Harrison          | ..... | D6/672    |
| D604,534 | S | * | 11/2009 | Guggenbiller, Jr. | ..... | D6/710    |
| D617,041 | S | * | 6/2010  | Shi               | ..... | D26/142   |
| D640,886 | S | * | 7/2011  | Glass             | ..... | D6/710    |
| D641,993 | S | * | 7/2011  | Scott             | ..... | D6/682    |
| D645,889 | S | * | 9/2011  | Nakamura          | ..... | D15/144.1 |
| D646,301 | S | * | 10/2011 | Naitoh            | ..... | D15/5     |
| D670,077 | S | * | 11/2012 | Jiang             | ..... | D3/17     |
| D727,614 | S | * | 4/2015  | Griffith          | ..... | D3/10     |
| D730,962 | S | * | 6/2015  | Ominami           | ..... | D16/131   |
| D748,706 | S | * | 2/2016  | Ominami           | ..... | D16/131   |
| D752,335 | S | * | 3/2016  | Stedman           | ..... | D3/10     |
| D752,854 | S | * | 4/2016  | Owens             | ..... | D3/17     |
| D770,163 | S | * | 11/2016 | Walther           | ..... | D3/17     |
| D777,307 | S | * | 1/2017  | Rocha             | ..... | D23/343   |

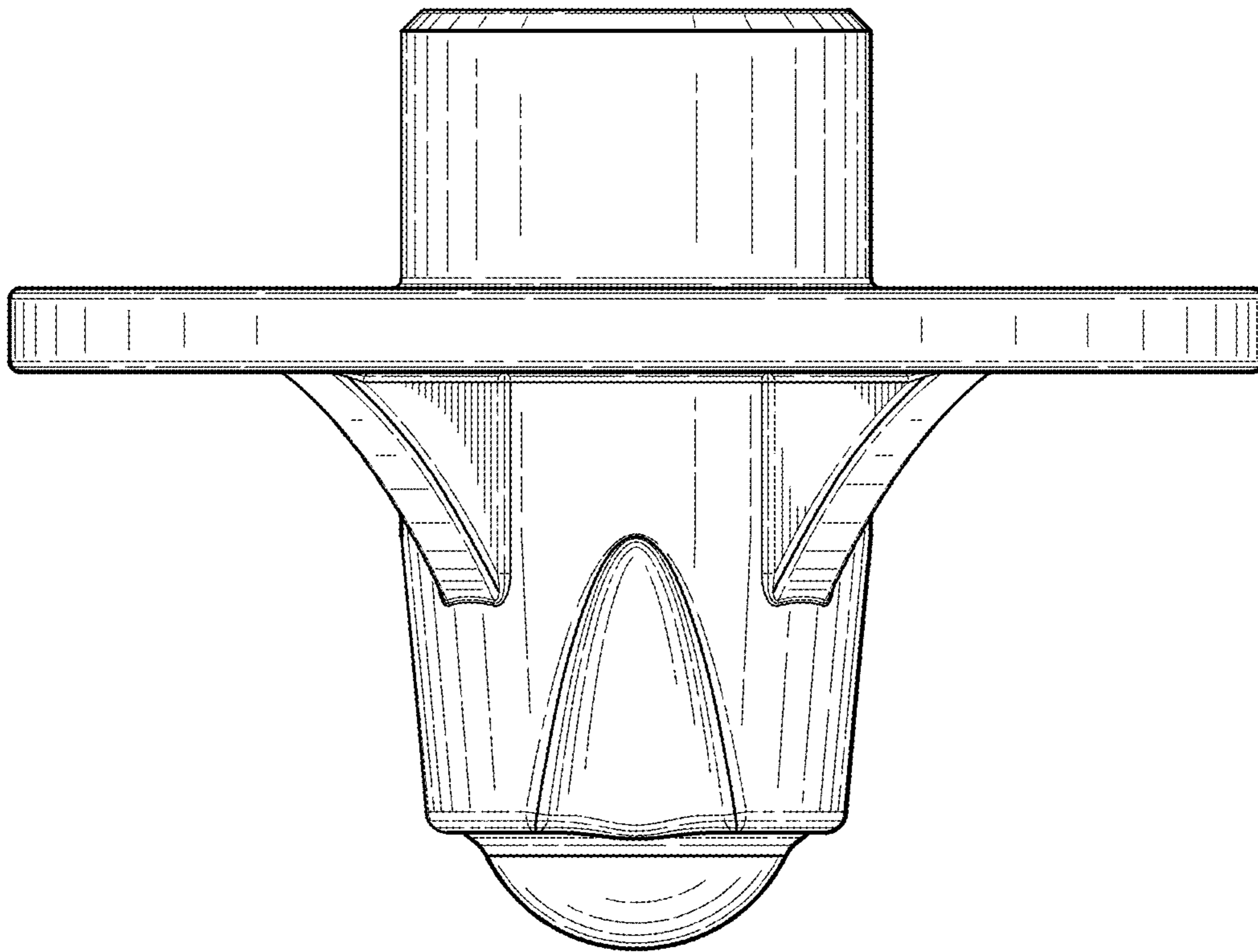
\* cited by examiner



*Fig. 1.*



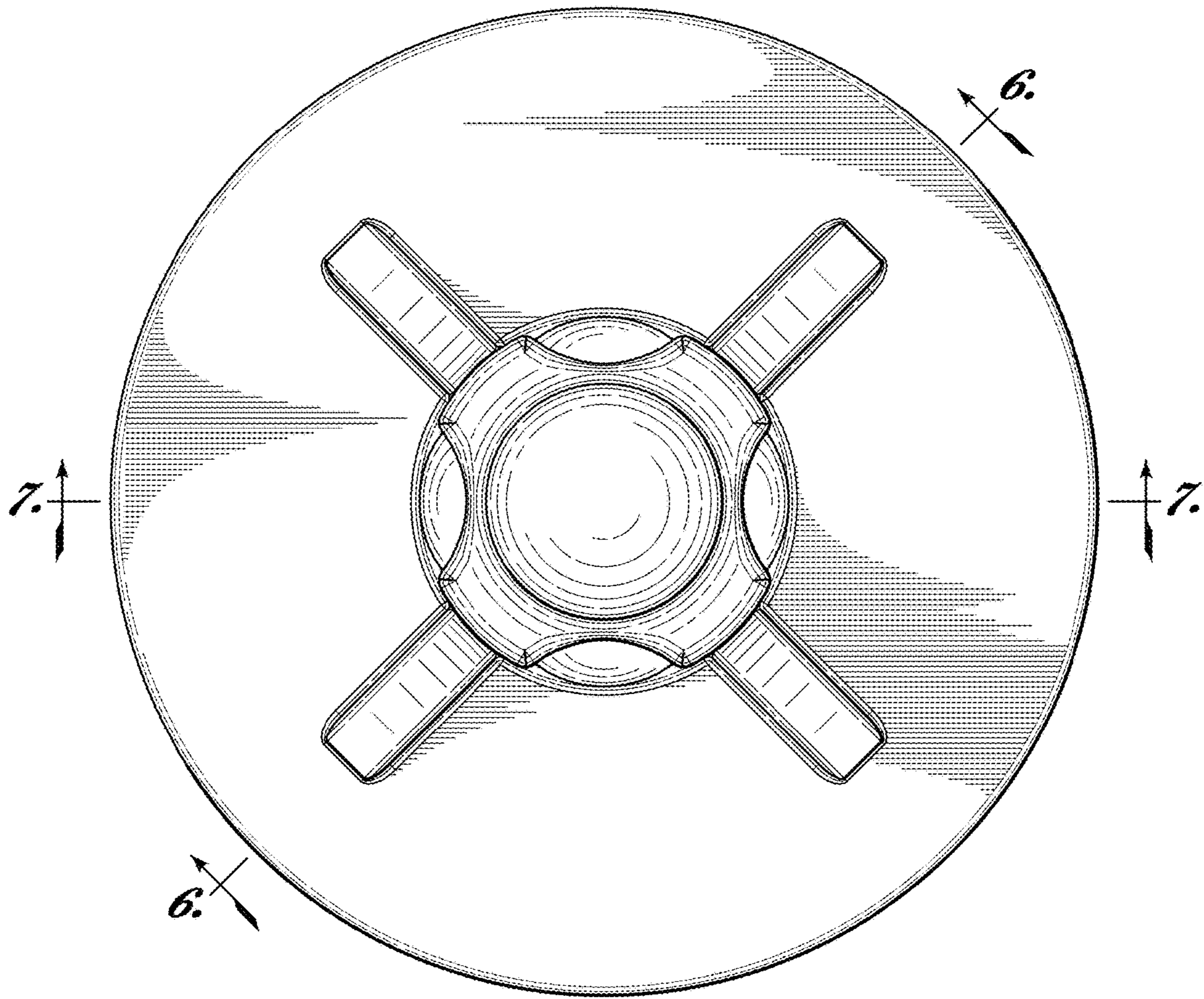
*Fig. 2.*



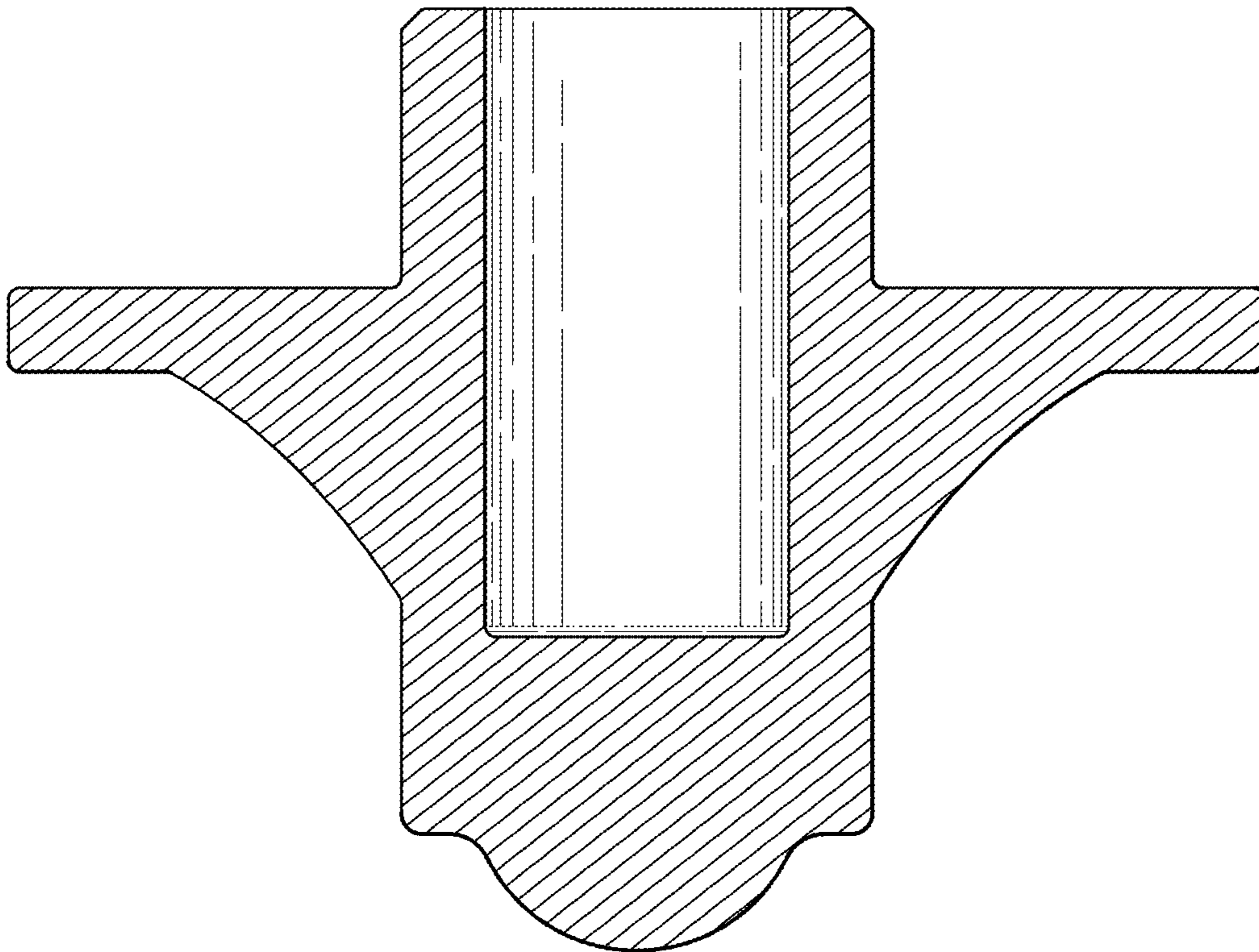
*Fig. 3.*



*Fig. 4.*

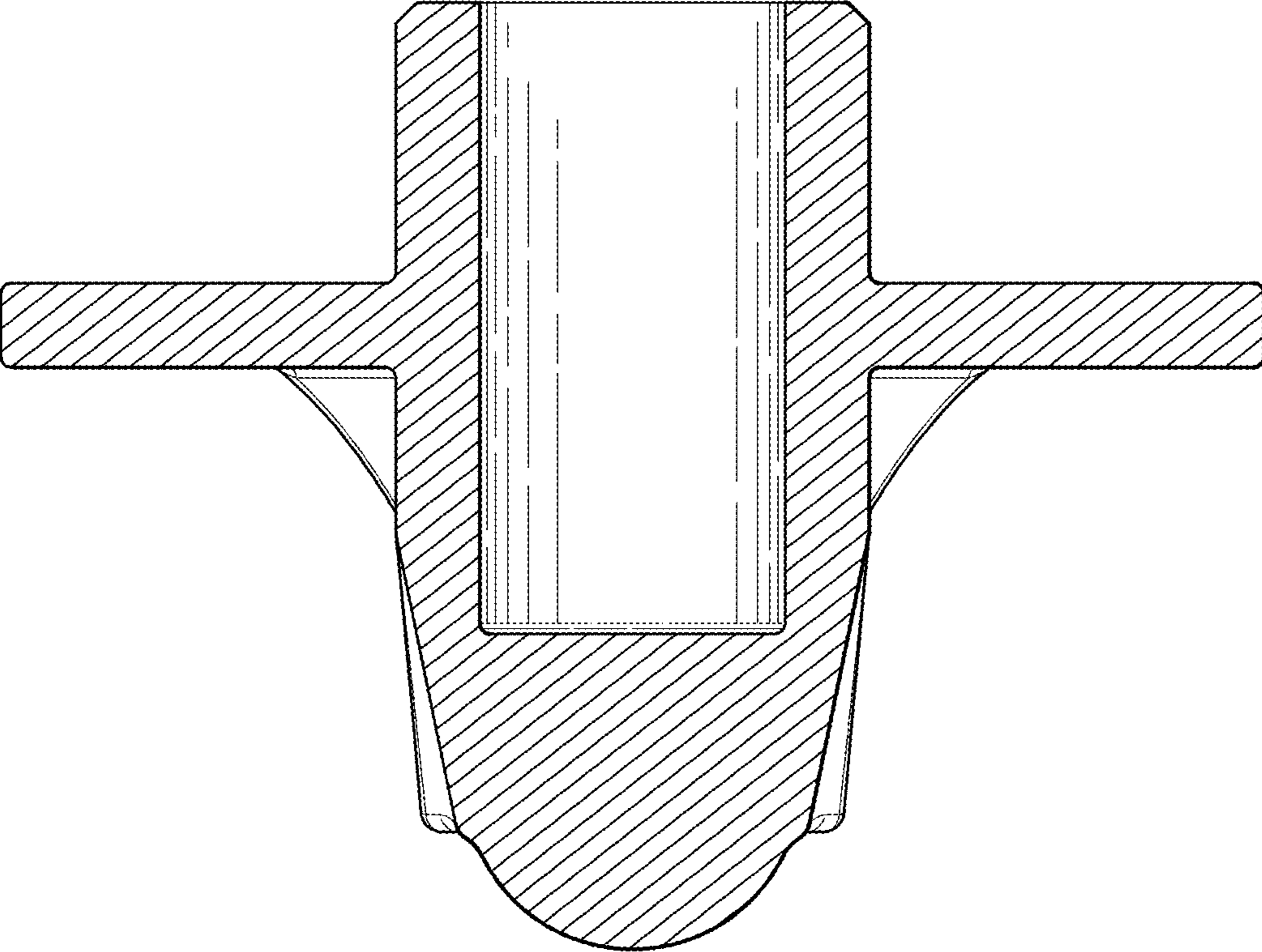


*Fig. 5.*



*Fig. 6.*





*Fig. 7.*