



US00D787870S

(12) **United States Design Patent** (10) **Patent No.:** **US D787,870 S**
Tsuchiyama et al. (45) **Date of Patent:** **** May 30, 2017**

(54) **COUNTER**

(56) **References Cited**

(71) Applicant: **OKAMURA CORPORATION**,
Yokohama-shi, Kanagawa (JP)
(72) Inventors: **Waku Tsuchiyama**, Yokohama (JP);
Haruhiko Kitajima, Yokohama (JP)
(73) Assignee: **Okamura Corporation**, Yokohama-shi,
Kanagawa (JP)
(**) Term: **14 Years**
(21) Appl. No.: **29/522,425**
(22) Filed: **Mar. 31, 2015**

U.S. PATENT DOCUMENTS

D342,634 S *	12/1993	Barlow-Lawson	D6/707.22
D379,874 S *	6/1997	Stirling	D6/335
D421,531 S *	3/2000	Haas	D6/675.5
D540,568 S *	4/2007	Clucas	D6/569
D552,380 S *	10/2007	Lowsky	D6/699
D587,938 S *	3/2009	Hartsfield, Jr.	D6/699
D604,529 S *	11/2009	Bloch	D6/651
D626,361 S *	11/2010	Ogawa	D6/707.22
D627,997 S *	11/2010	Ogawa	D6/707.22
D718,965 S *	12/2014	Morrow	D6/699.1
D734,080 S *	7/2015	Ogawa	D6/707
D764,845 S *	8/2016	Tsuchiyama	D6/699

* cited by examiner

Primary Examiner — John Windmuller

Assistant Examiner — Steven Czyz

(74) *Attorney, Agent, or Firm* — Sughrue Mion, PLLC

(30) **Foreign Application Priority Data**

Oct. 2, 2014 (JP) 2014-022019

(51) **LOC (10) Cl.** **06-04**

(52) **U.S. Cl.**
USPC **D6/699**

(58) **Field of Classification Search**
USPC ... D6/657, 658–661, 672, 675, 675.1, 675.2,
D6/678, 678.4, 698, 699; 108/150, 152,
108/157.1, 162; 248/188, 188.1;
312/238, 194–196, 140.1, 140.2, 278,
312/114, 201, 216
CPC ... A47B 13/023; A47B 98/061; A47B 13/021;
A47B 13/08; A47B 13/06; A47B 49/006;
A47B 17/00; A47B 83/001; A47B 69/00;
A47B 53/02; A47F 9/00; A47F 9/02;
A47F 9/04; A47F 9/005; A47F 10/00;
A47F 10/02; A47F 10/06; A47F 3/00;
A47F 3/005

See application file for complete search history.

(57) **CLAIM**

The ornamental design for a counter, as shown and described.

DESCRIPTION

FIG. 1 is a perspective view of a counter.
FIG. 2 is a front elevation view thereof.
FIG. 3 is a rear elevation view thereof.
FIG. 4 is a right side elevation view thereof.
FIG. 5 is a left side elevation view thereof.
FIG. 6 is a top plan view thereof; and,
FIG. 7 is a bottom plan view thereof.
The broken lines shown in the drawings illustrate portions of the counter that form no part of the claimed design.

1 Claim, 7 Drawing Sheets

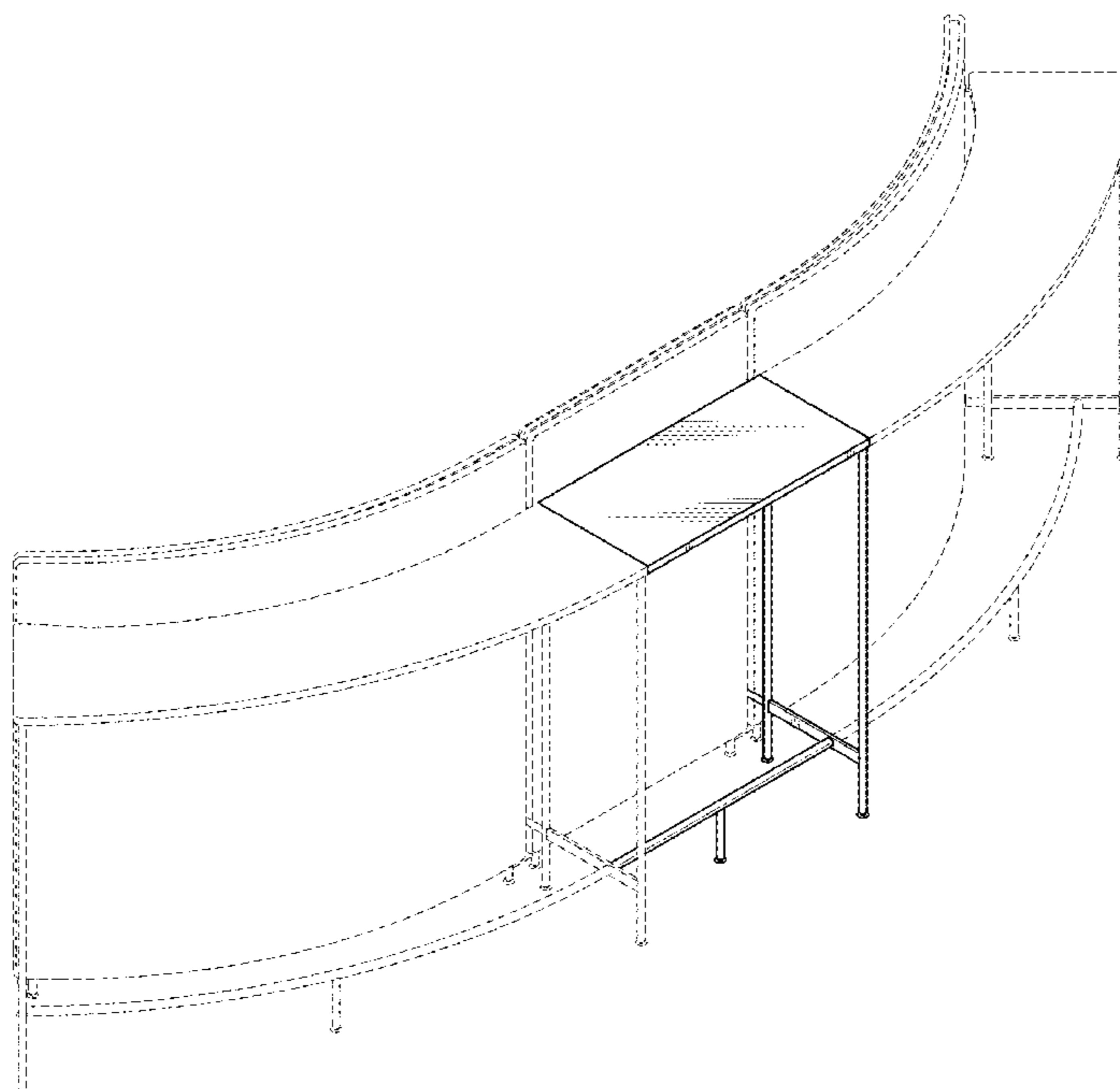


FIG. 1

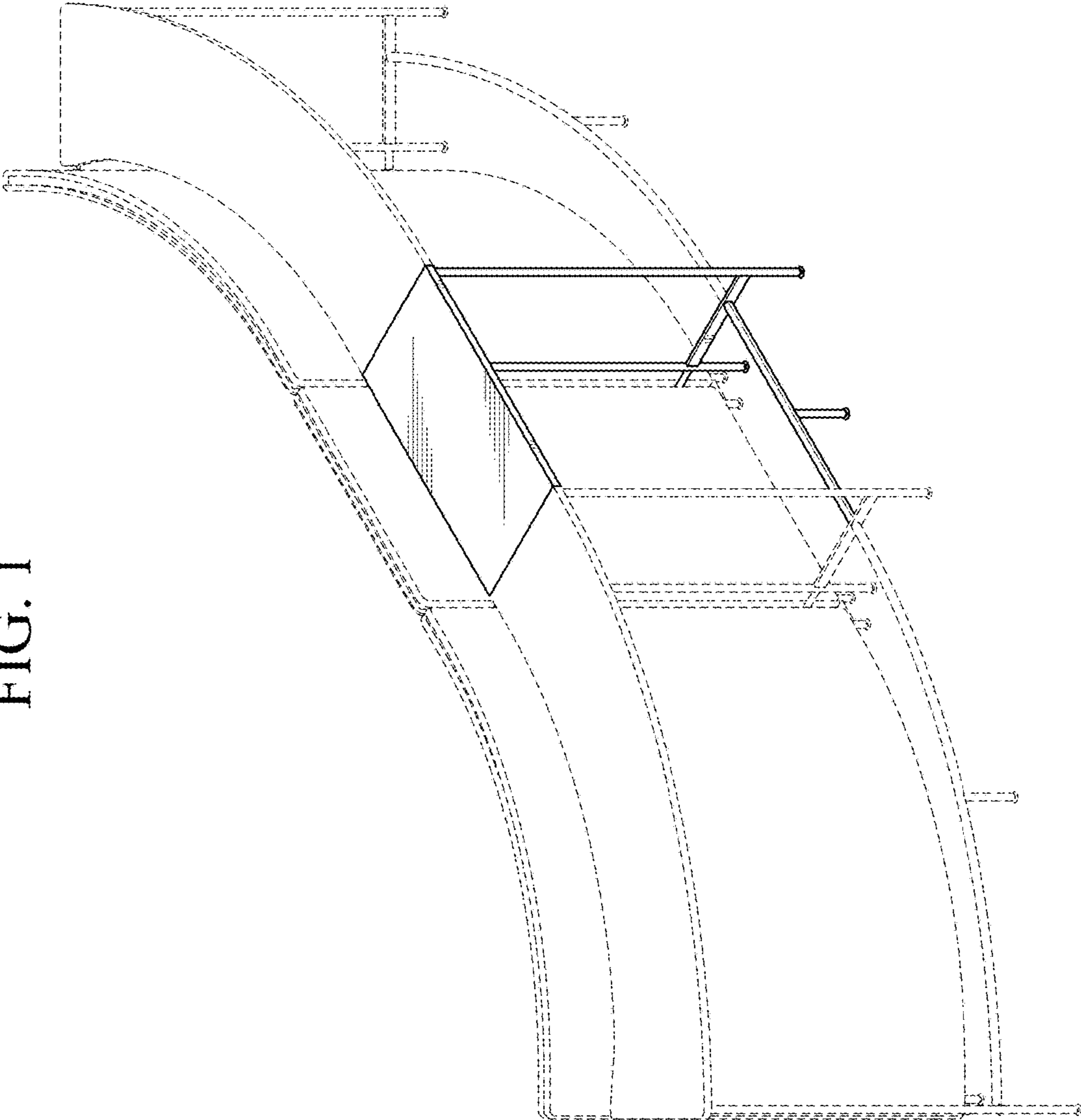


FIG. 2

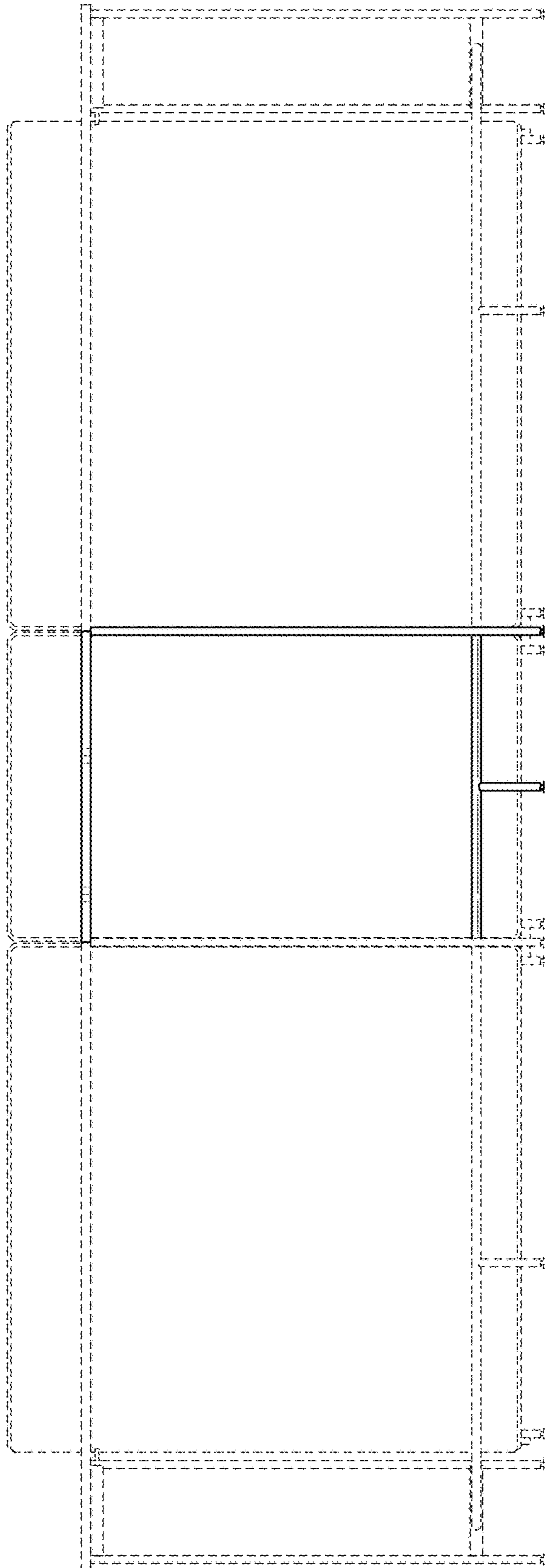


FIG. 3

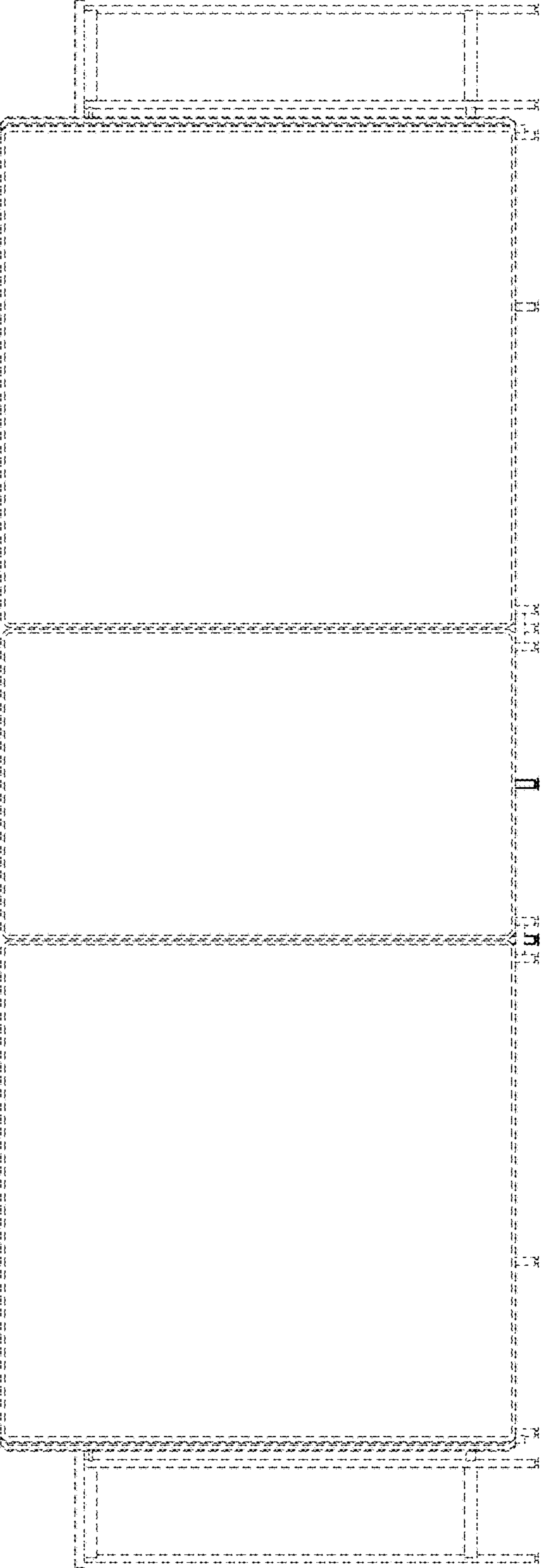


FIG. 4

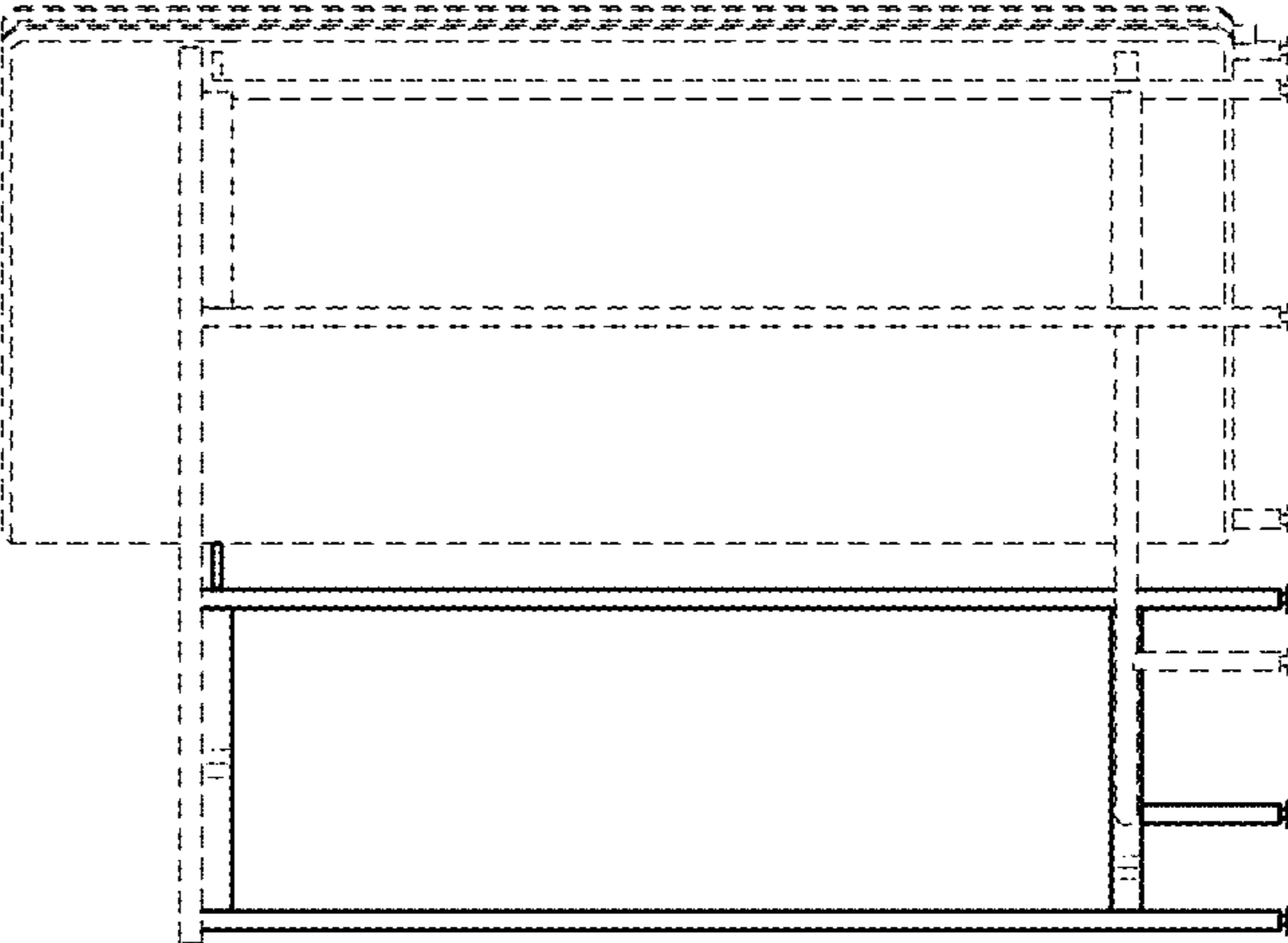


FIG. 5

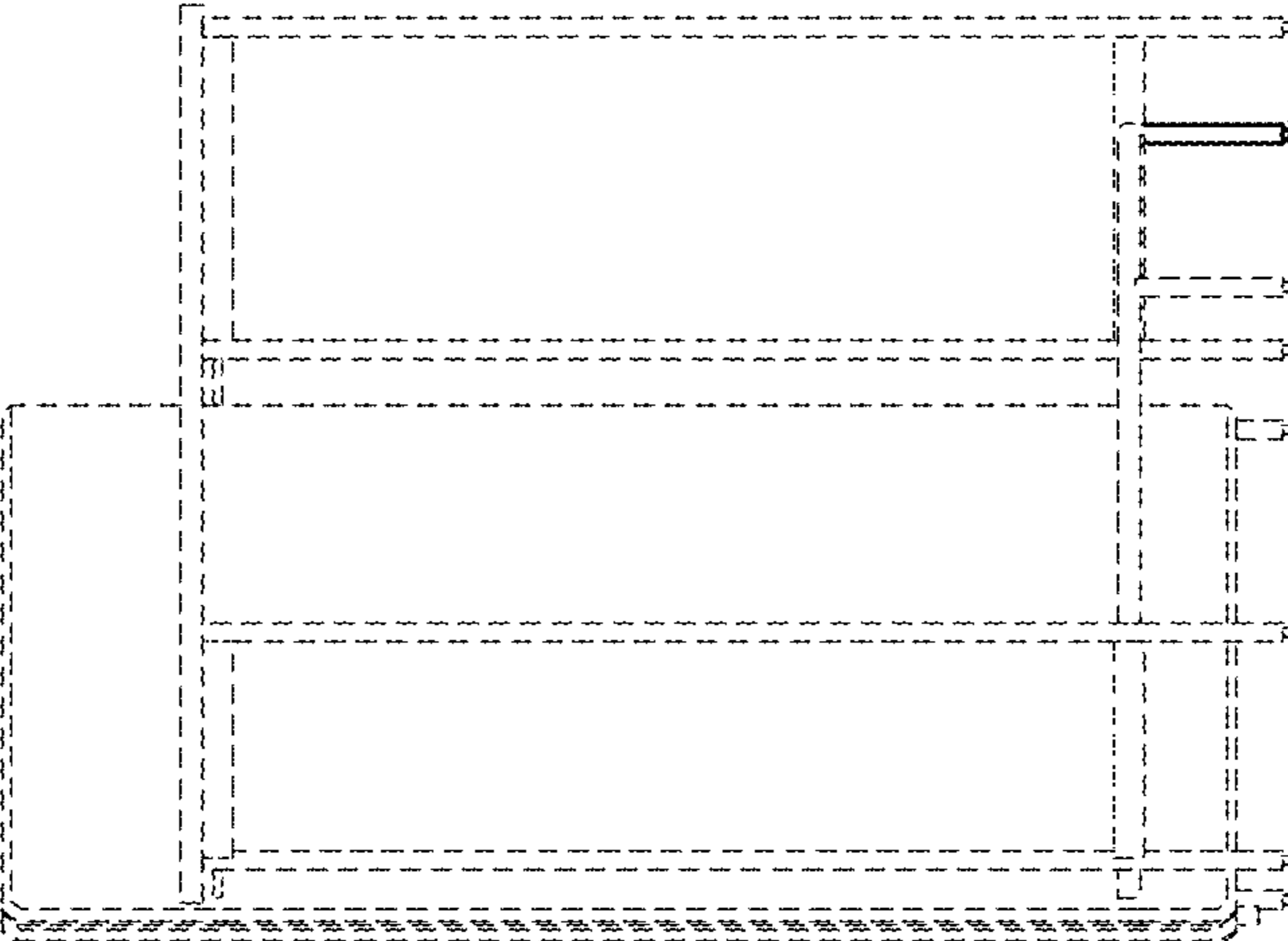


FIG. 6

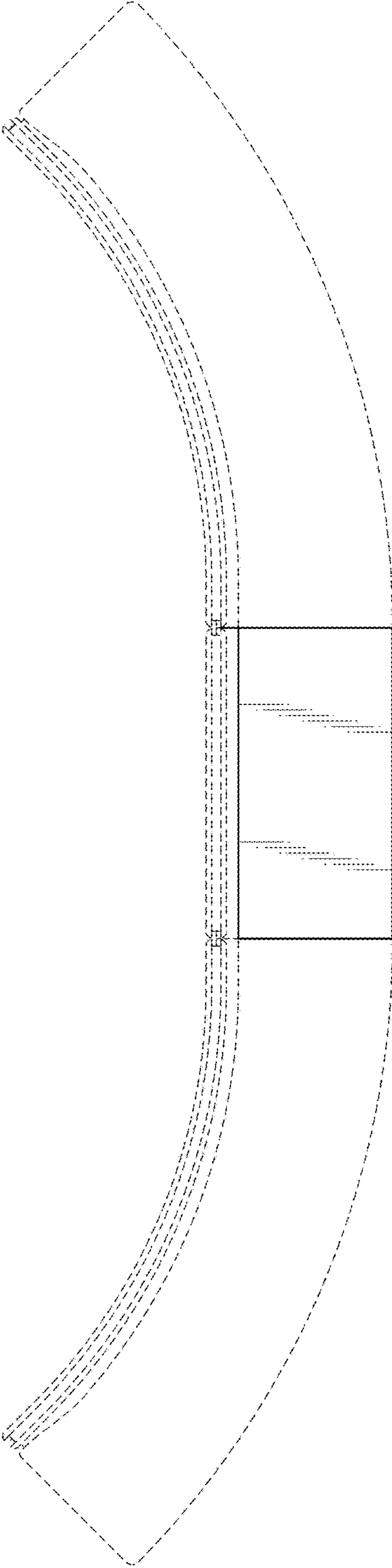


FIG. 7

