



US00D787869S

(12) **United States Design Patent**
Denby et al.

(10) **Patent No.:** **US D787,869 S**

(45) **Date of Patent:** **** May 30, 2017**

(54) **RETAIL ASSISTANCE DESK**

D592,422 S * 5/2009 Rheault D6/657
D603,627 S 11/2009 Wen
D618,939 S 7/2010 Gibbs

(71) Applicant: **TARGET BRANDS, INC.**,
Minneapolis, MN (US)

(Continued)

(72) Inventors: **Scott E. Denby**, Minneapolis, MN
(US); **Thomas M. Balko**, Onalaska, WI
(US)

Primary Examiner — Caron D Veynar

Assistant Examiner — Mehri Bajoul

(74) *Attorney, Agent, or Firm* — JoAnn M. Seaton;
Griffiths & Seaton PLLC

(73) Assignee: **TARGET BRANDS, INC.**,
Minneapolis, MN (US)

(57) **CLAIM**

The ornamental design for a retail assistance desk, as shown
and described.

(**) Term: **15 Years**

DESCRIPTION

(21) Appl. No.: **29/547,278**

FIG. 1 is a top, front perspective view of a retail assistance
desk showing a first embodiment of our new design;

(22) Filed: **Dec. 2, 2015**

FIG. 2 is a front view thereof;

(51) **LOC (10) Cl.** **06-03**

FIG. 3 is a rear view thereof;

(52) **U.S. Cl.**

FIG. 4 is a right side view thereof;

USPC **D6/698**

FIG. 5 is left side view thereof; and

(58) **Field of Classification Search**

FIG. 6 is a top view thereof.

USPC D6/643, 654.17, 653, 653.1, 655, 655.1,
D6/657, 663, 673, 698

FIG. 7 is a top, front perspective view of a retail assistance
desk showing a second embodiment of our new design;

CPC A47B 7/00; A47B 21/00; A47B 13/10;
A47B 37/00; A47B 13/08

FIG. 8 is a front view thereof;

See application file for complete search history.

FIG. 9 is a rear view thereof;

(56) **References Cited**

U.S. PATENT DOCUMENTS

D157,781 S * 3/1950 Pahlmann 312/314
D203,346 S 12/1965 Hartzell
D289,470 S 4/1987 Sottsass et al.
D289,471 S 4/1987 Sottsass et al.
D289,472 S 4/1987 Sottsass et al.
D400,027 S * 10/1998 Gongora D6/673
D431,738 S * 10/2000 Wistehuff, Sr. D6/688.19
D489,208 S 5/2004 Noblet et al.
D534,009 S * 12/2006 Juneau D6/657
D590,630 S * 4/2009 Singler D6/663

FIG. 10 is a right side view thereof;

FIG. 11 is left side view thereof; and

FIG. 12 is a top view thereof.

FIG. 13 is a top, front perspective view of a retail assistance
desk showing a third embodiment of our new design;

FIG. 14 is a front view thereof;

FIG. 15 is a rear view thereof;

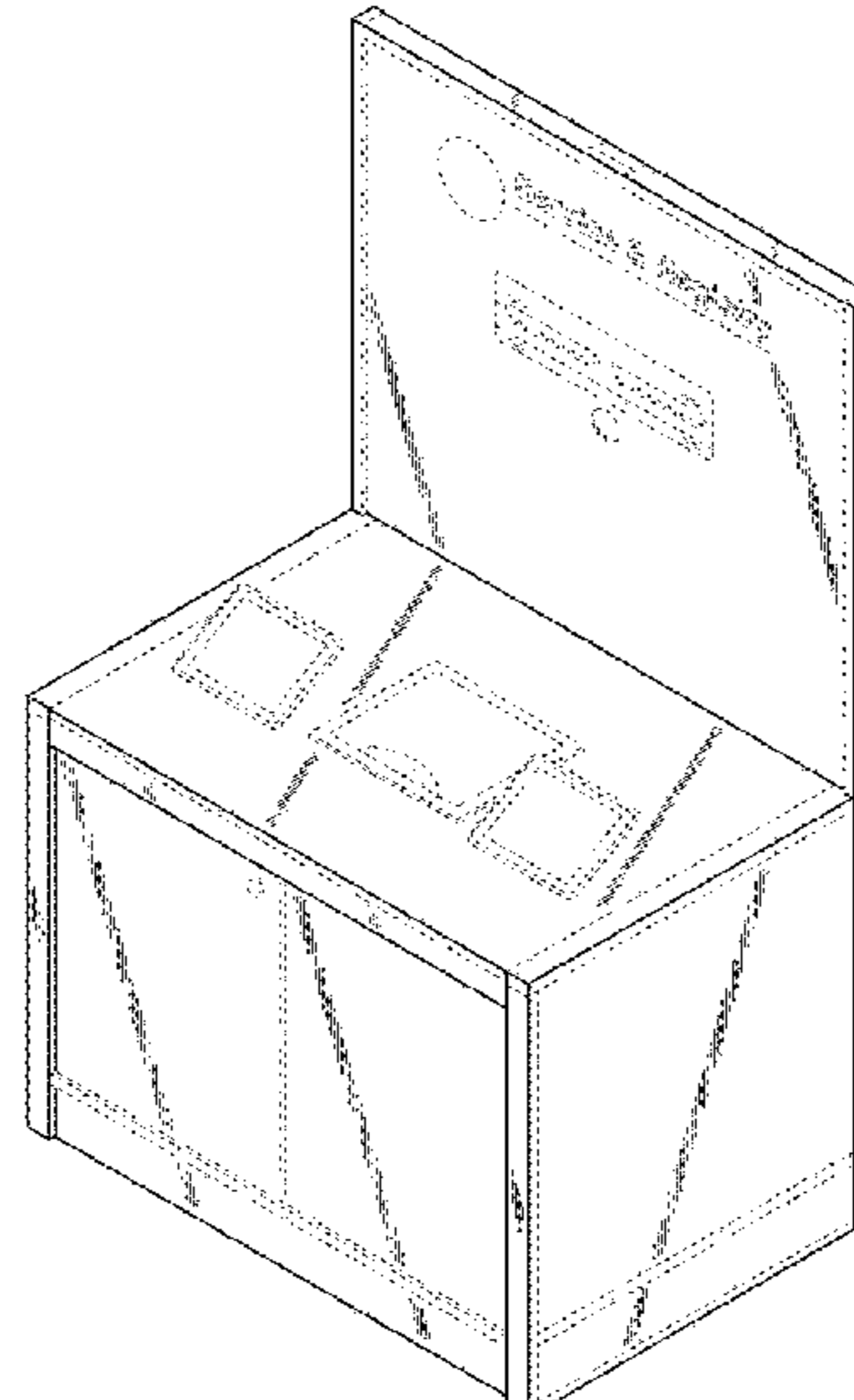
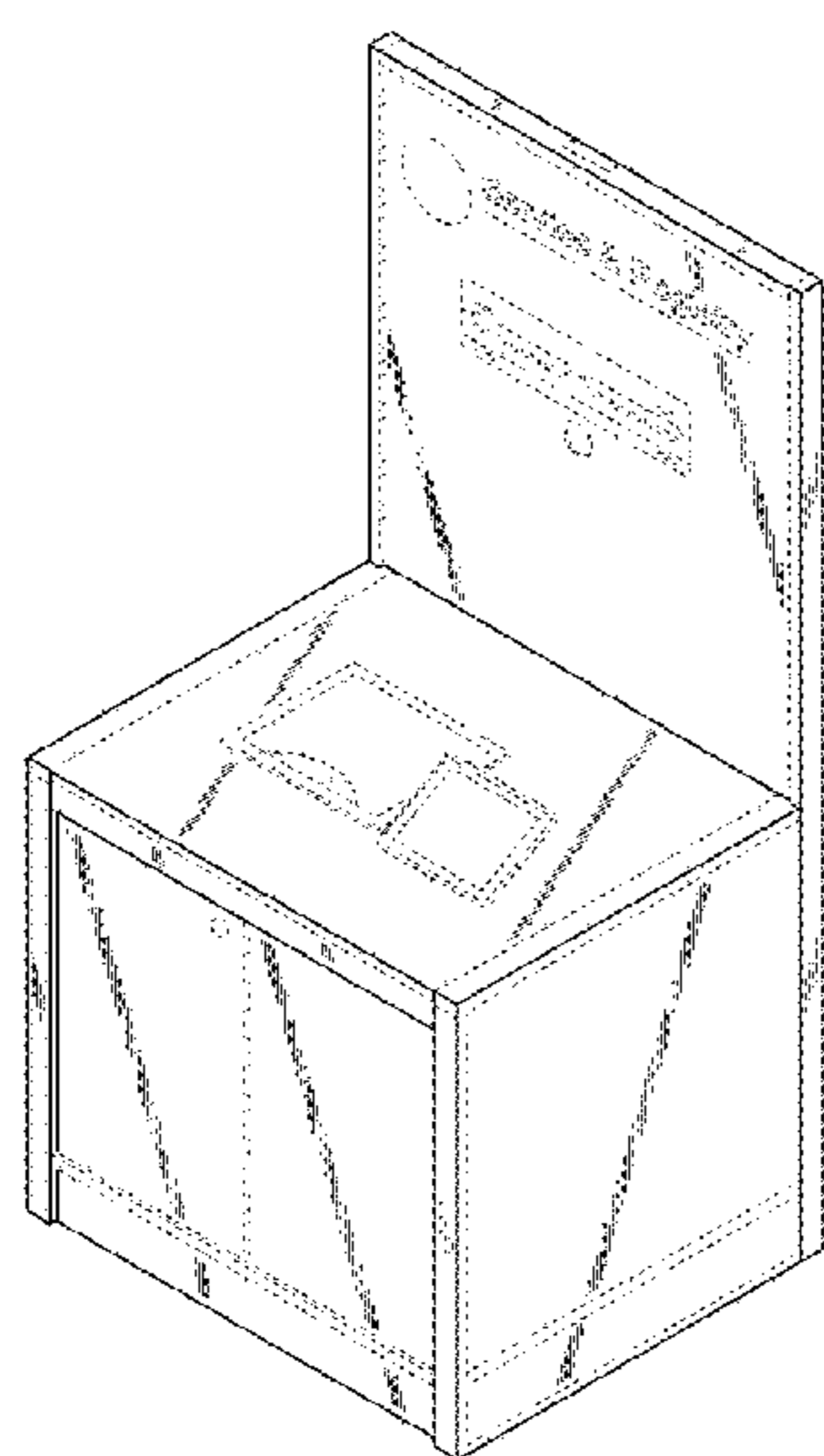
FIG. 16 is a right side view thereof;

FIG. 17 is left side view thereof; and,

FIG. 18 is a top view thereof.

In the drawings, the broken lines depict unclaimed subject
matter only and form no part of the claimed design. Bottom
views are omitted as no bottom surfaces are part of the
claimed design.

1 Claim, 18 Drawing Sheets



(56)

References Cited

U.S. PATENT DOCUMENTS

D632,115 S	2/2011	Gibbs	
D632,116 S	2/2011	Gibbs	
D635,376 S	4/2011	Cortivo et al.	
D637,836 S	5/2011	Cortivo et al.	
D677,496 S	3/2013	Agati et al.	
D681,973 S	5/2013	Gibbs	
D703,465 S	4/2014	Weatherly	
D720,949 S *	1/2015	Lehmann	D6/657
D730,086 S *	5/2015	Kitada	D6/643
D730,658 S *	6/2015	Dillon	D6/643
D736,020 S	8/2015	Martell et al.	
D741,094 S	10/2015	Martell et al.	
D743,188 S *	11/2015	Denby	D6/643

* cited by examiner

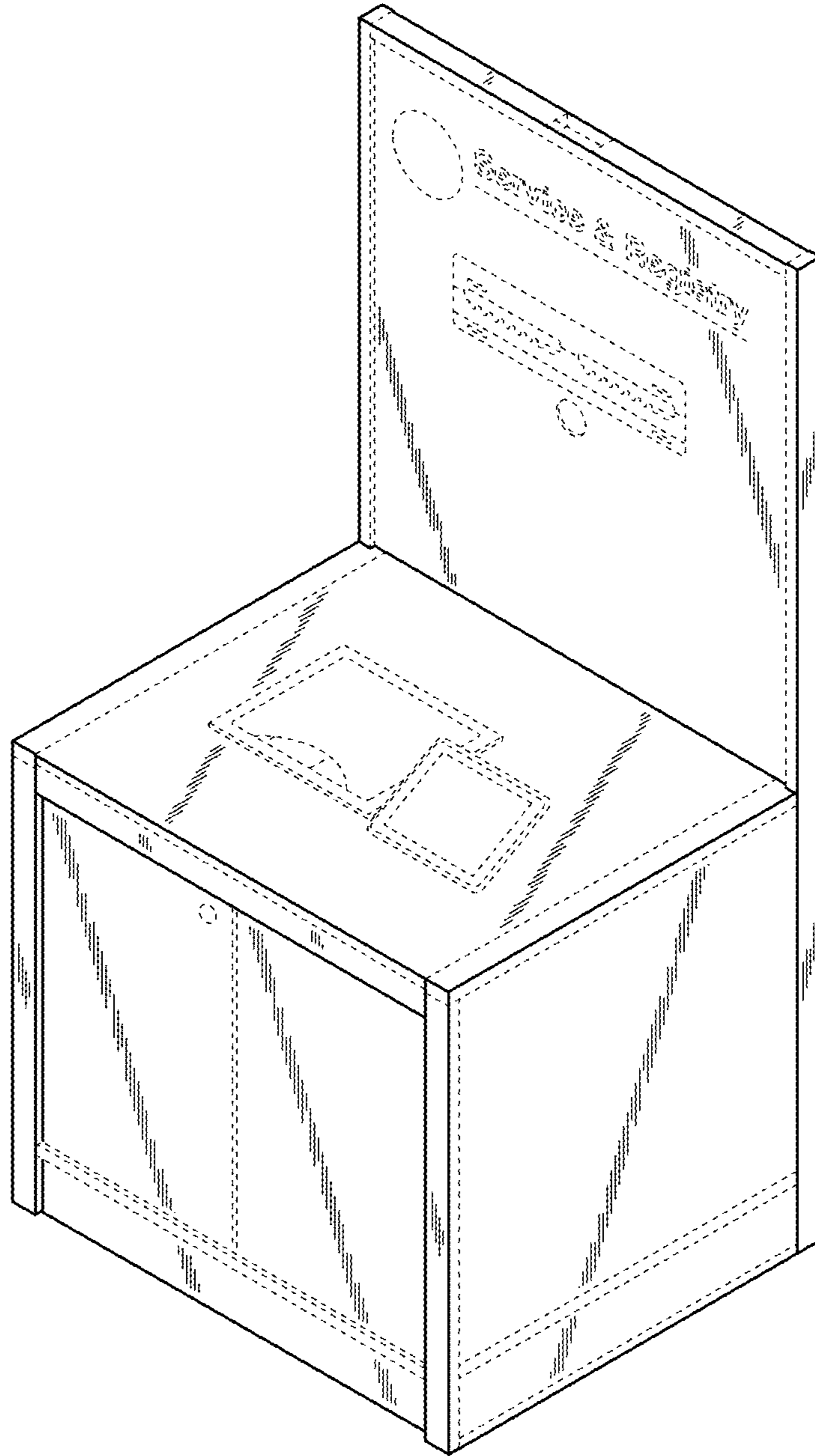


FIG. 1

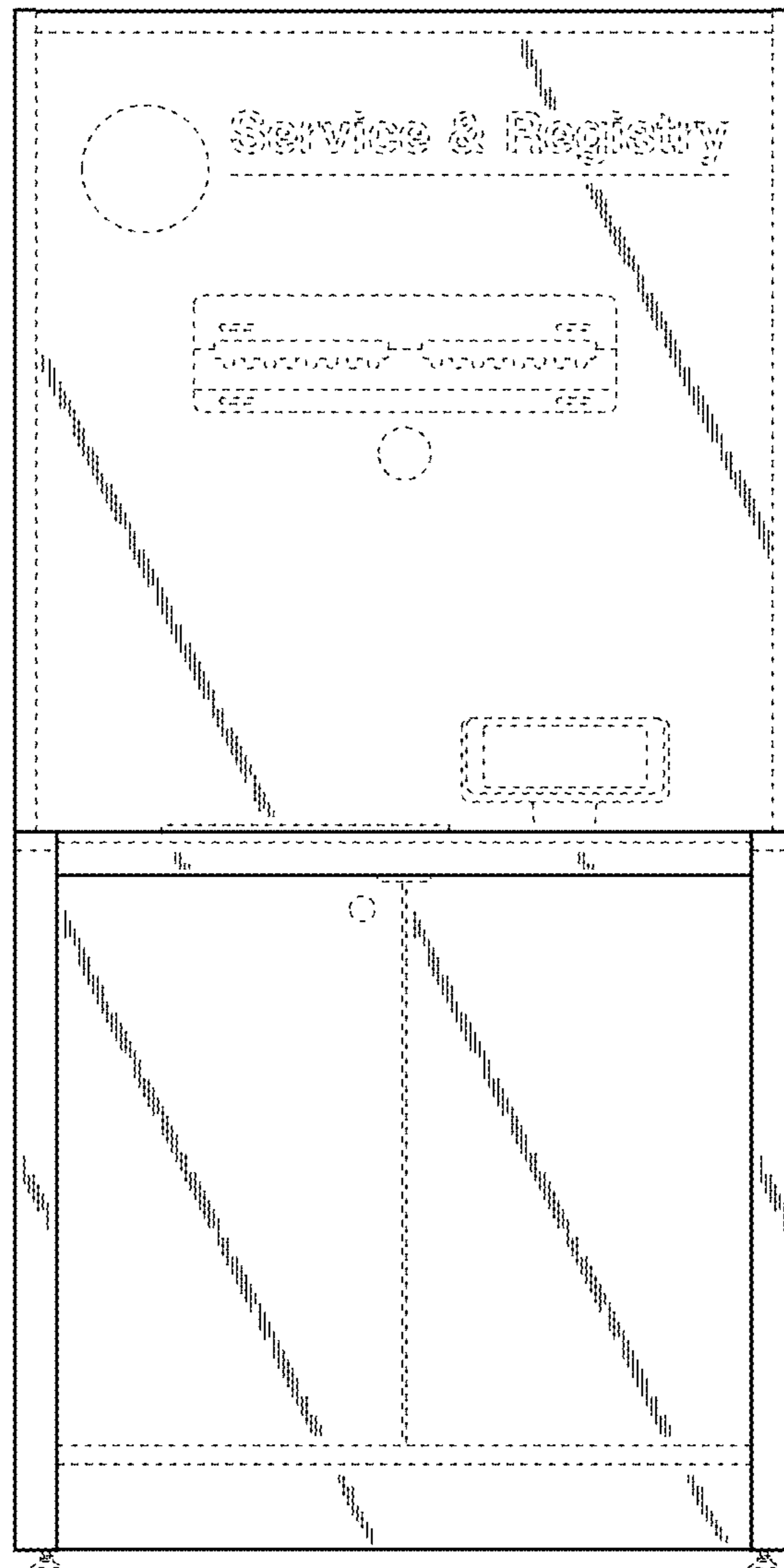


FIG. 2

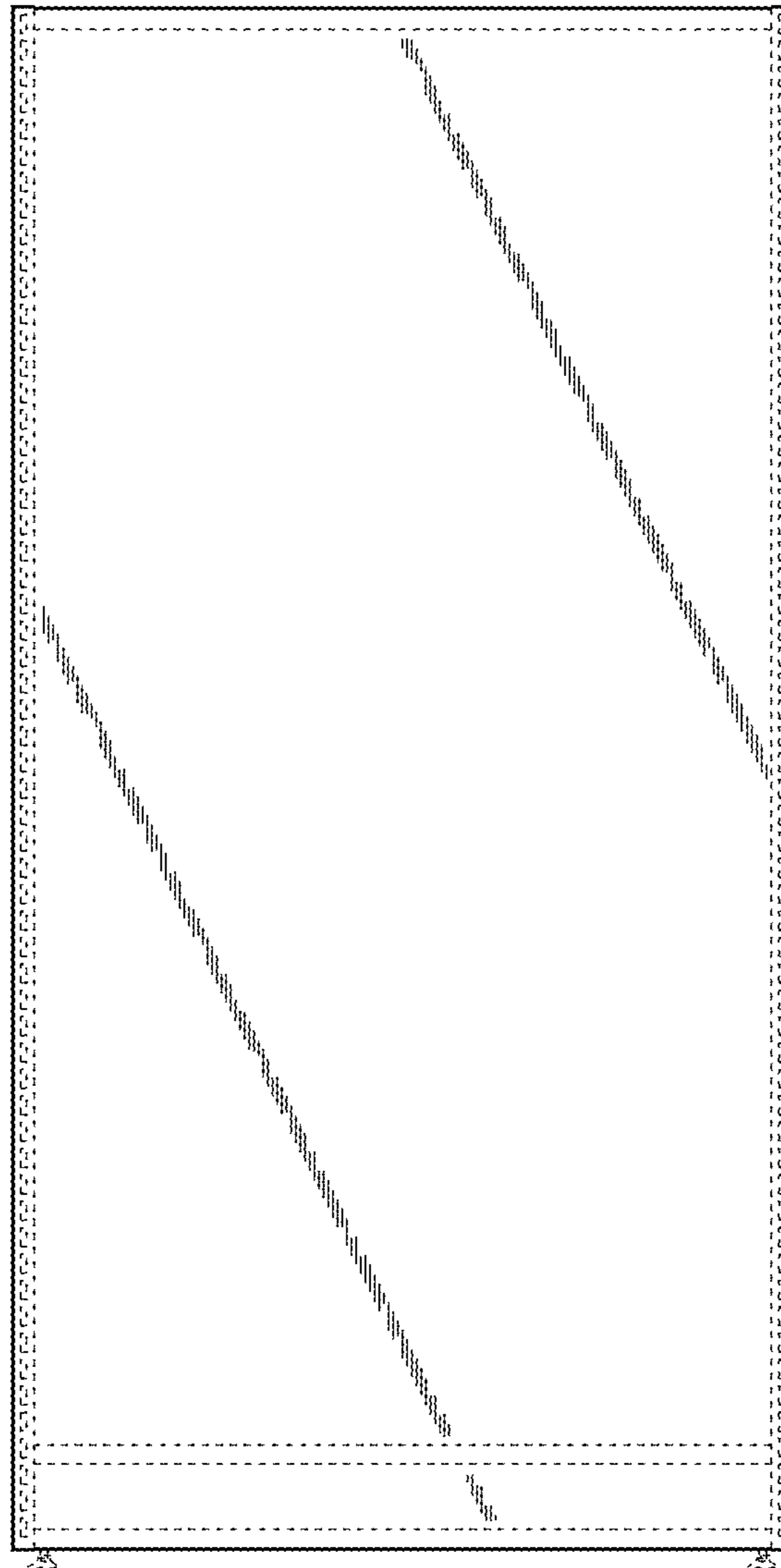


FIG. 3

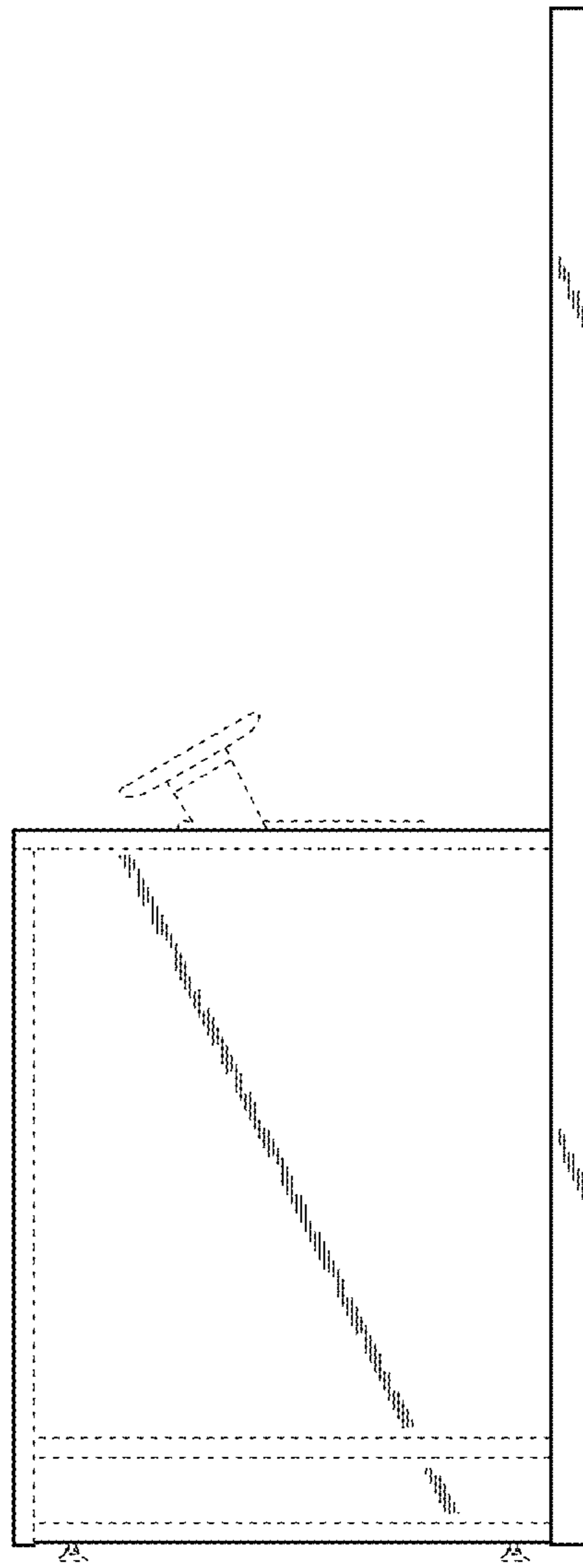


FIG. 4

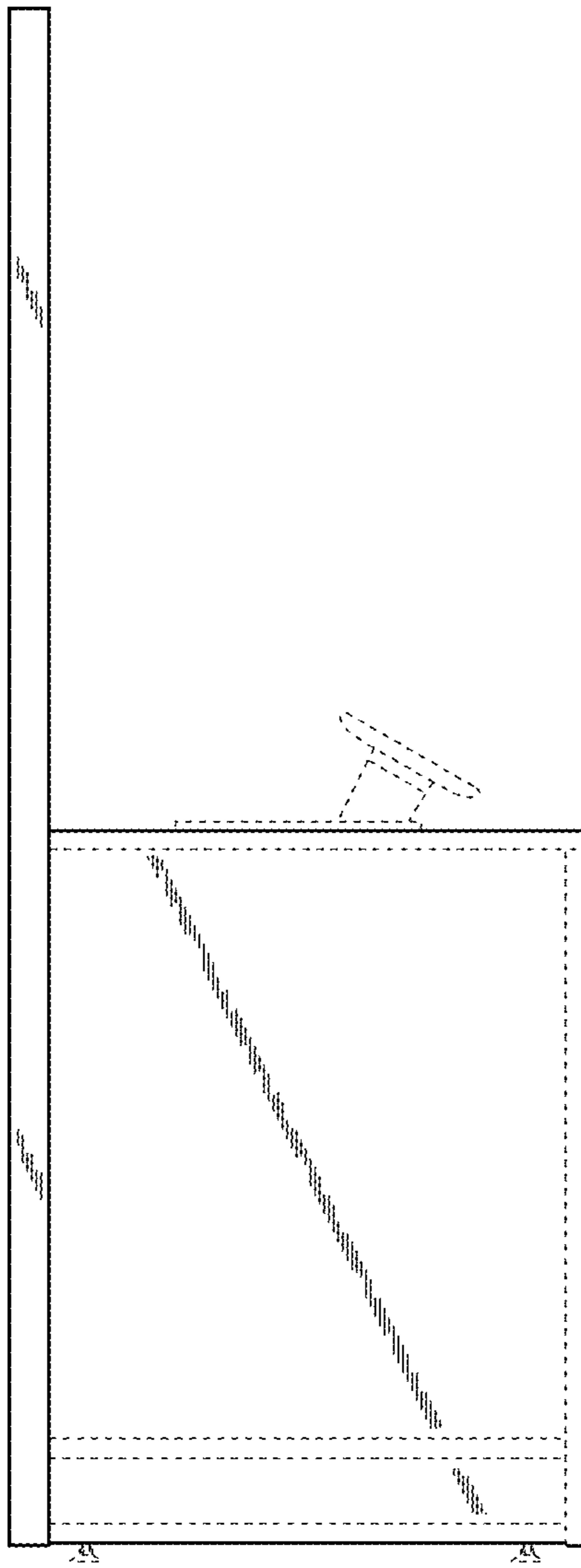


FIG. 5

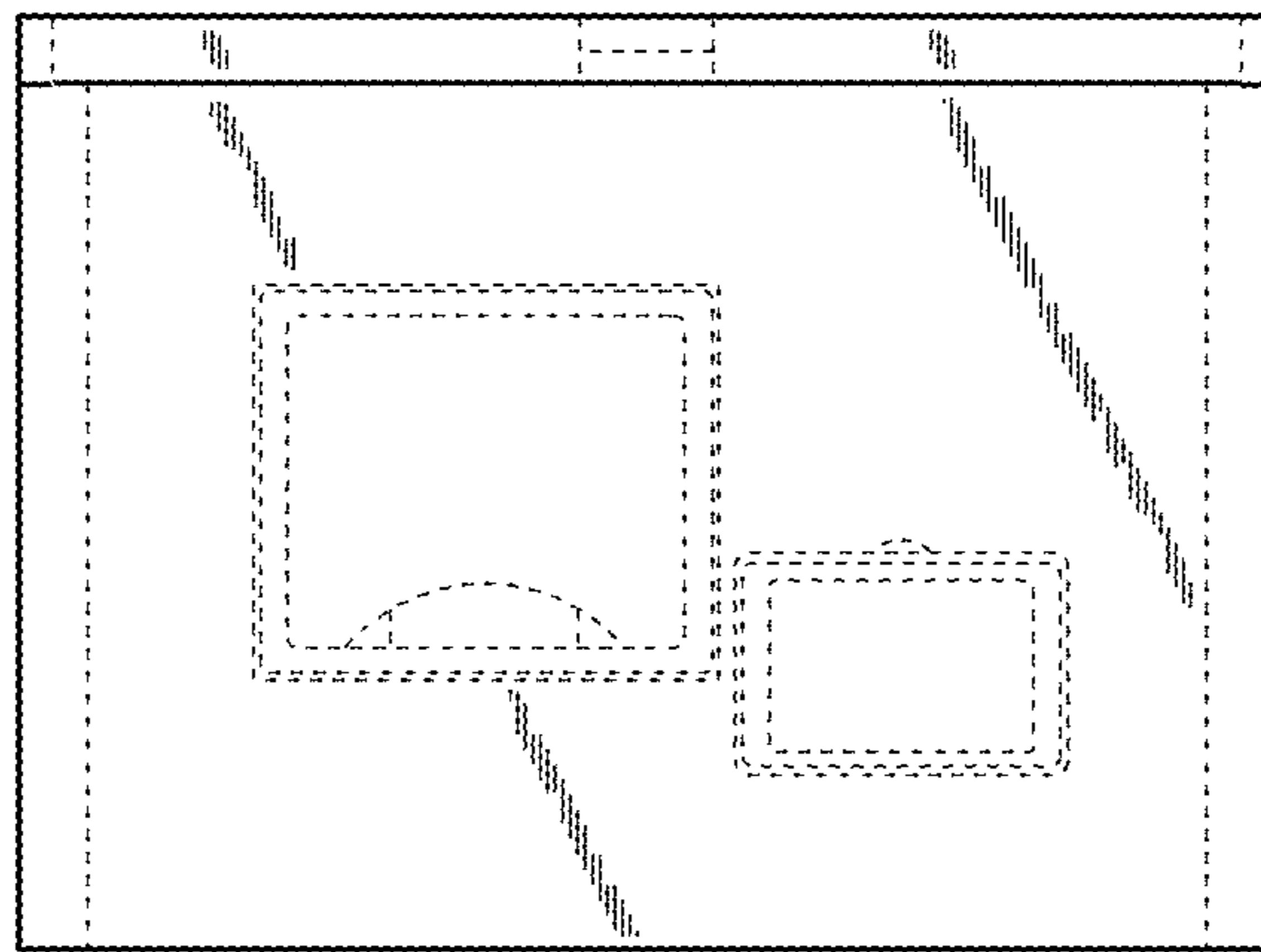


FIG. 6

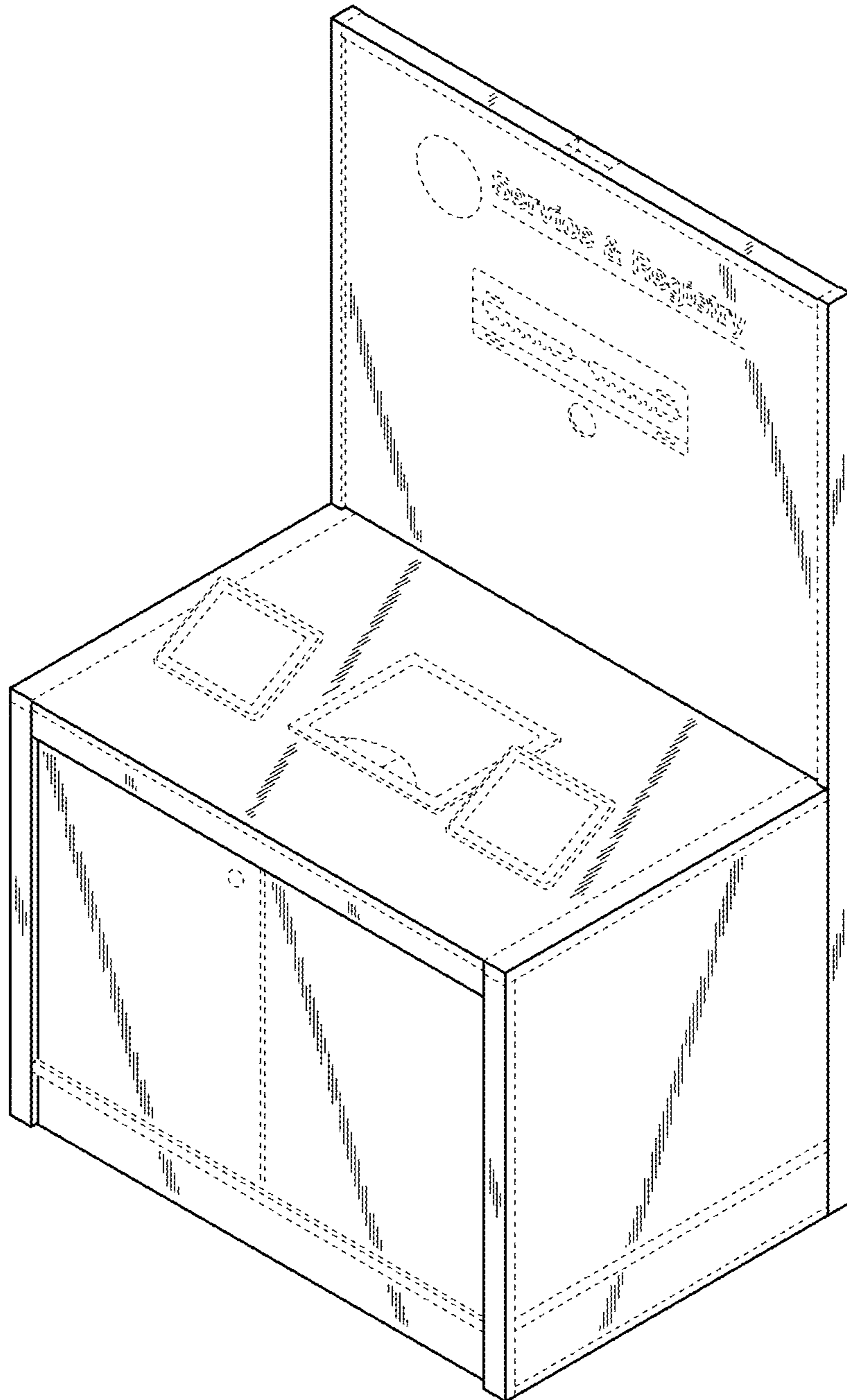


FIG. 7

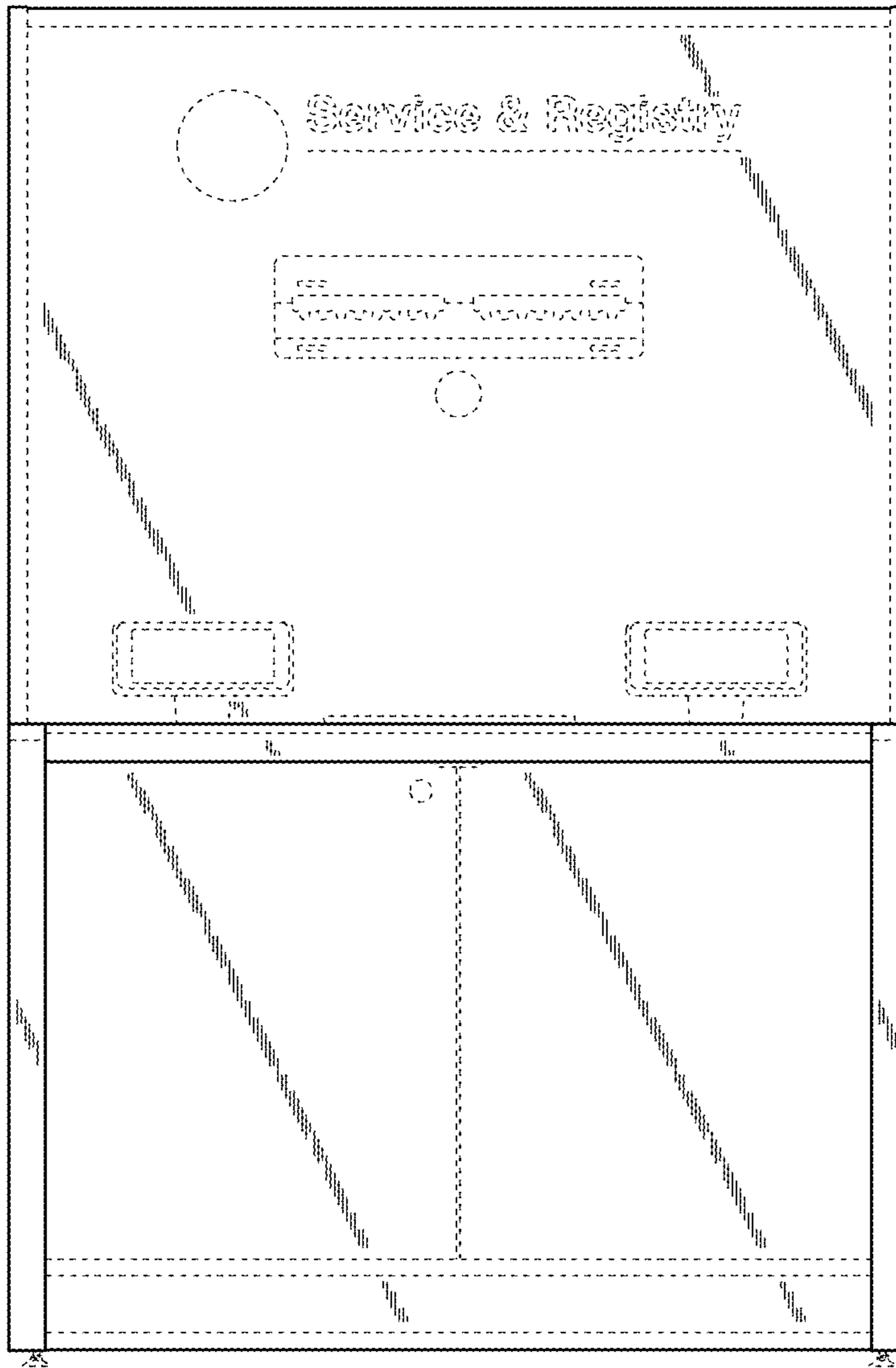


FIG. 8

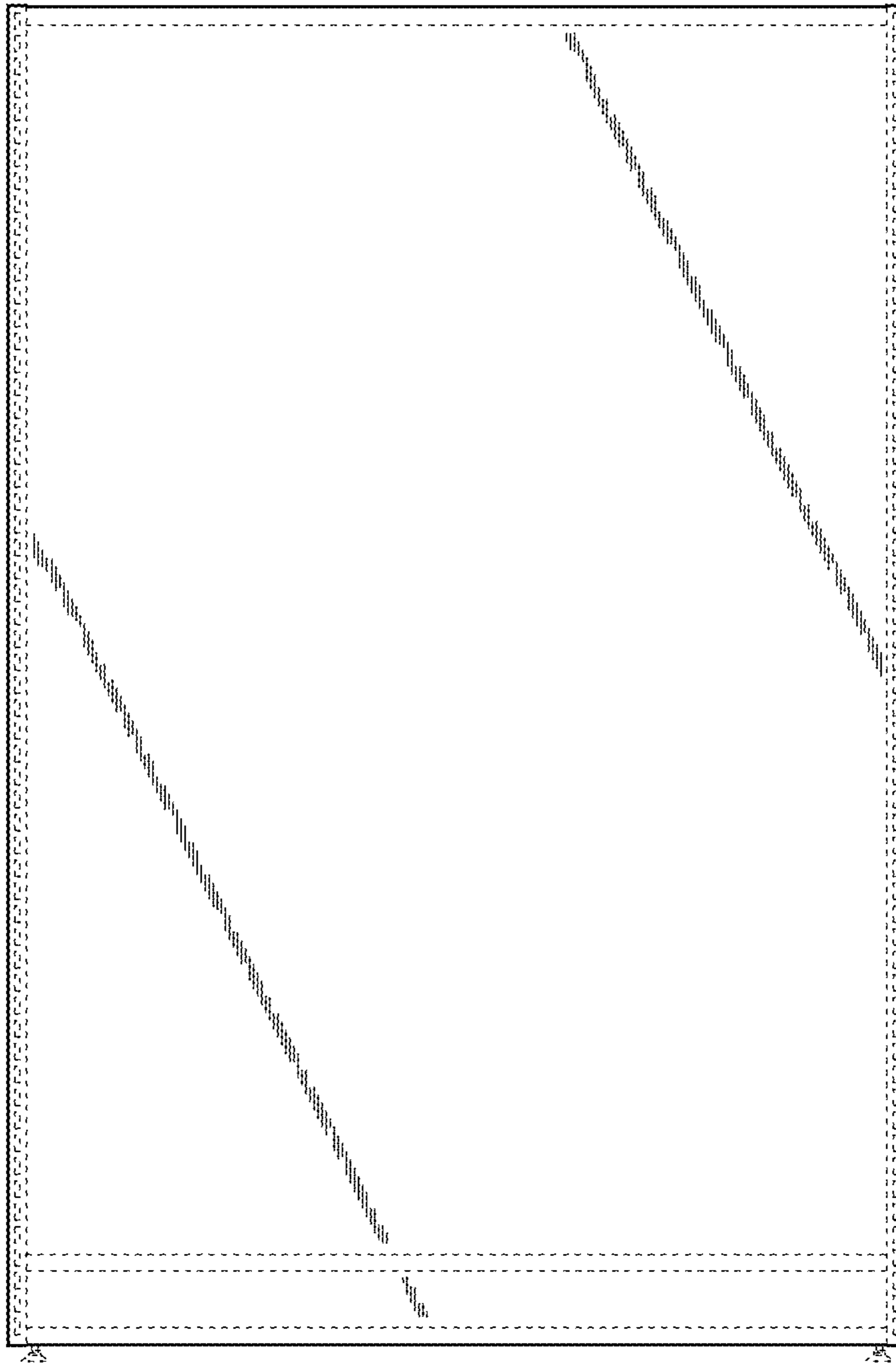


FIG. 9

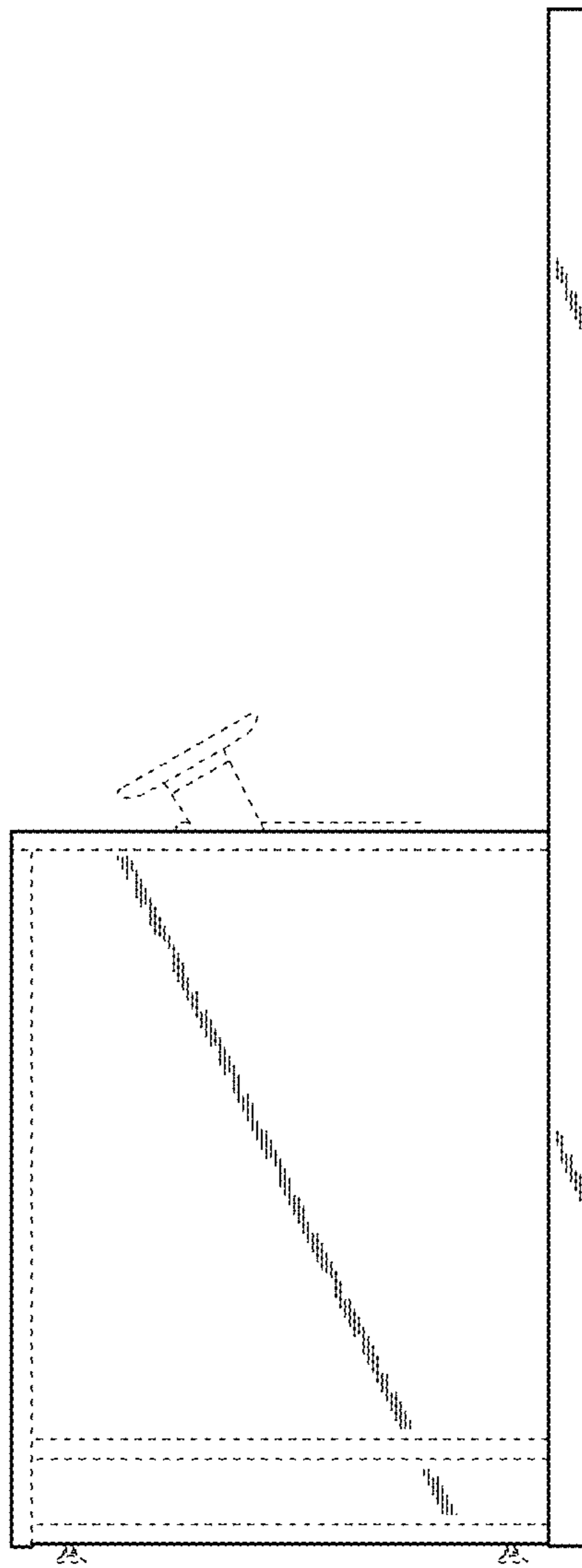


FIG. 10

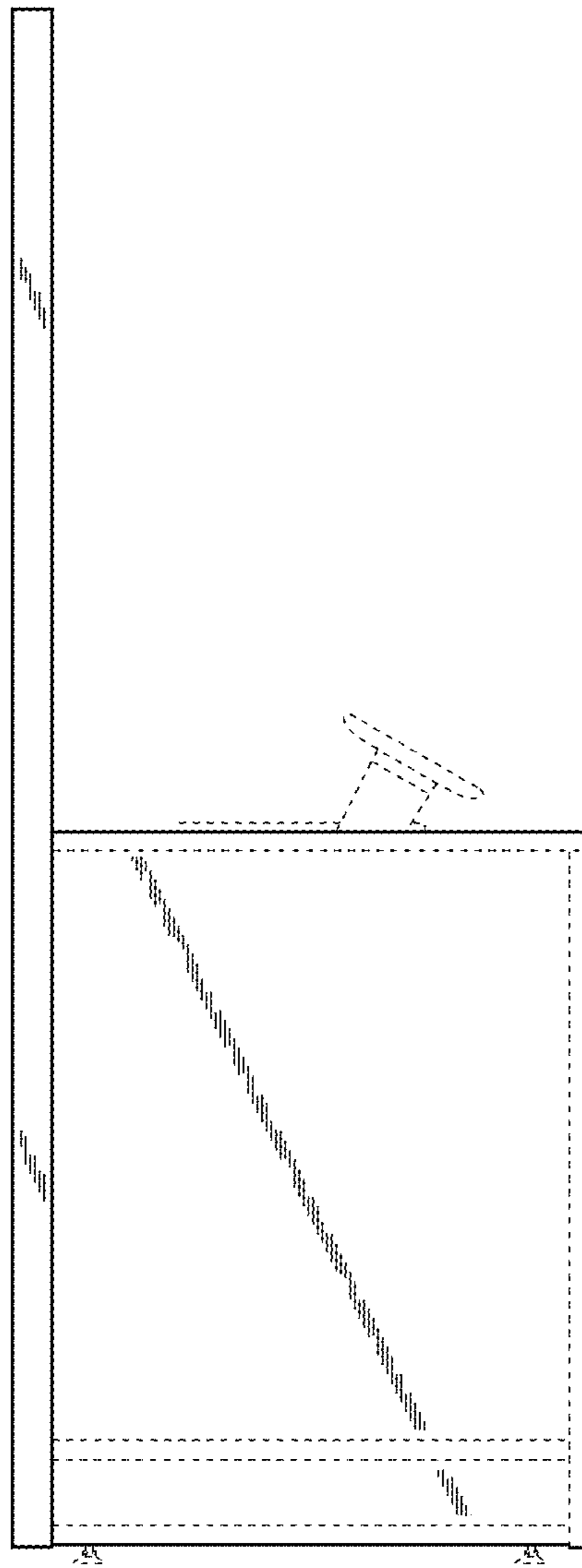


FIG. 11

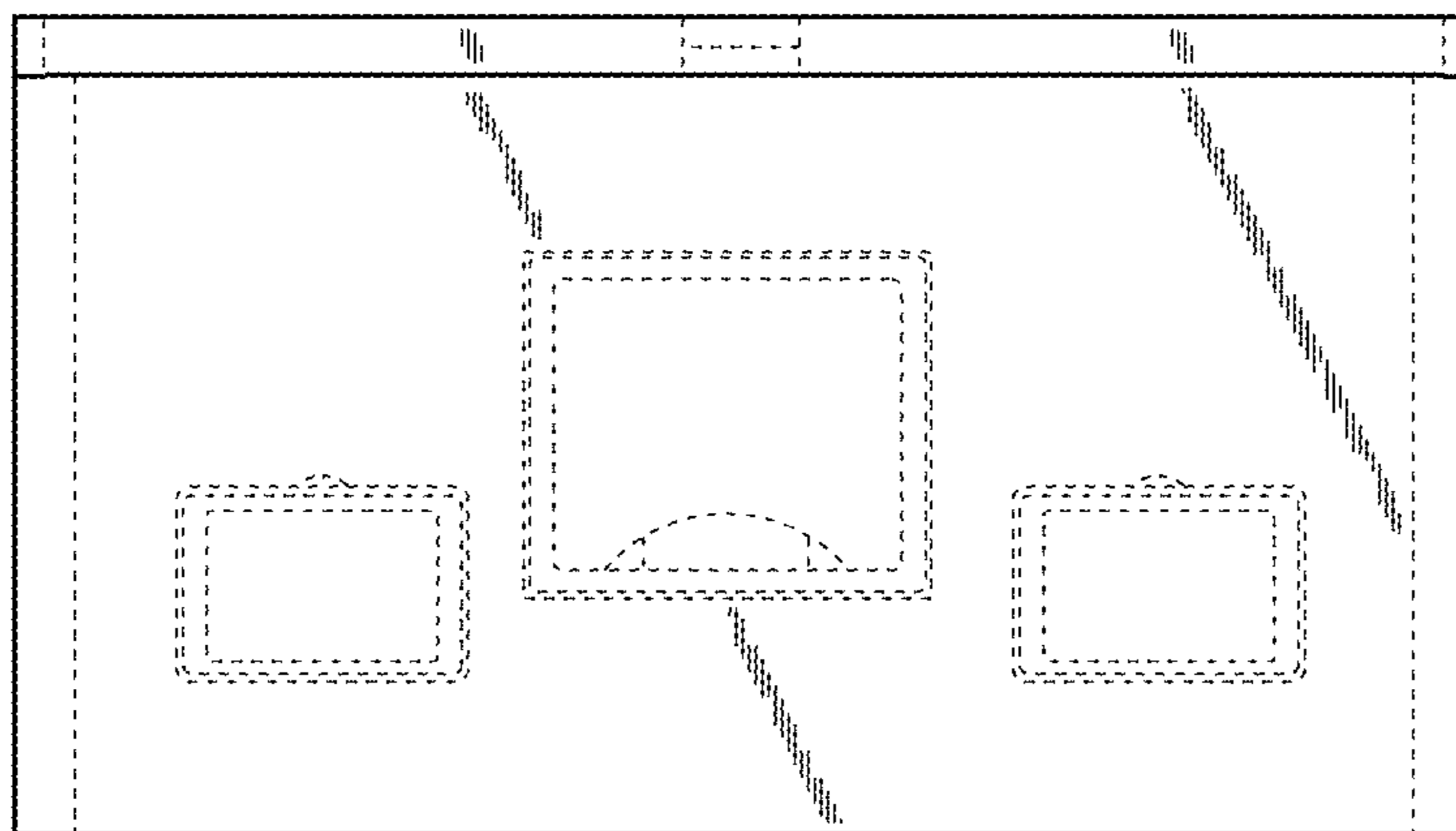


FIG. 12

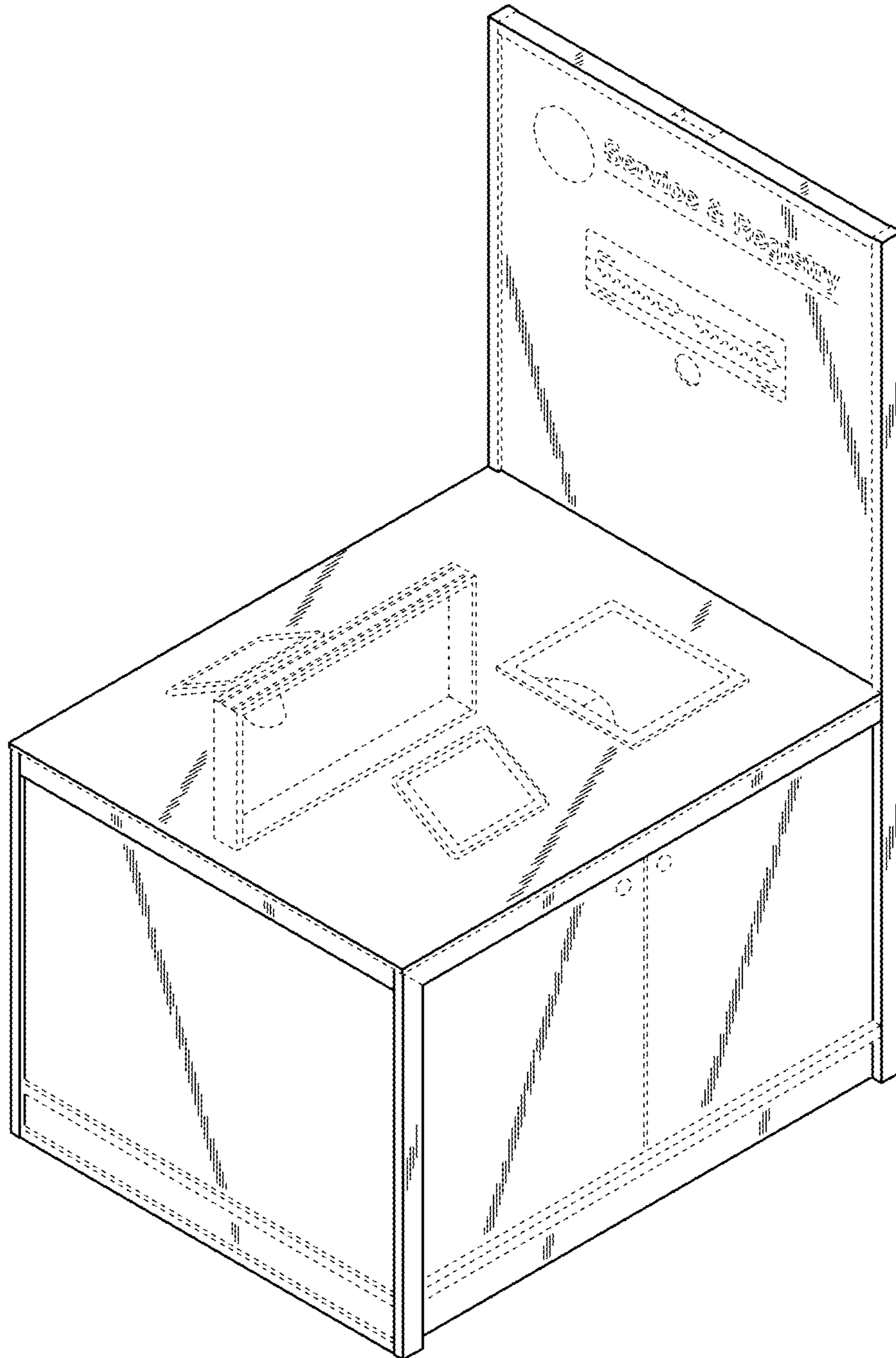


FIG. 13

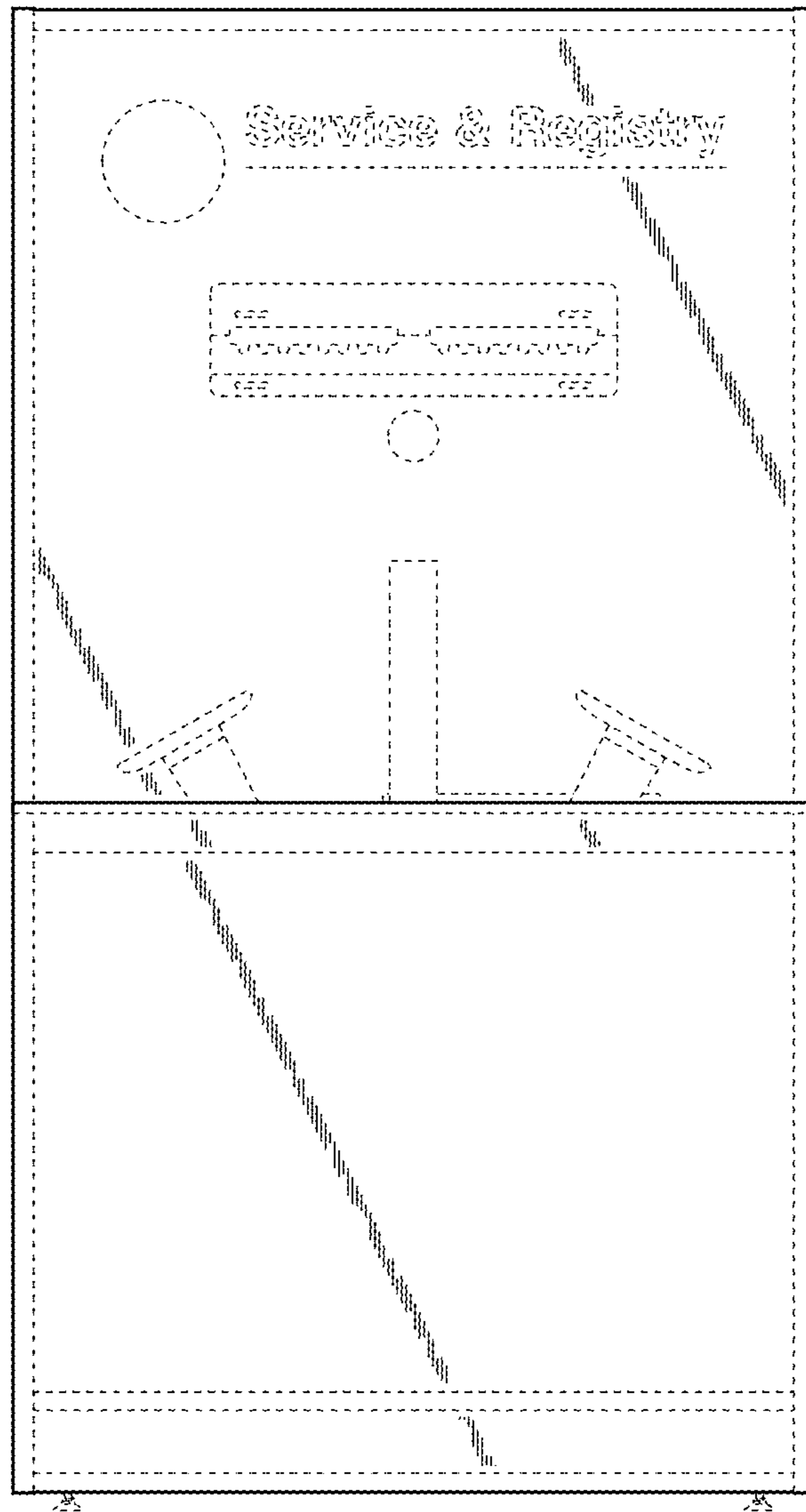


FIG. 14

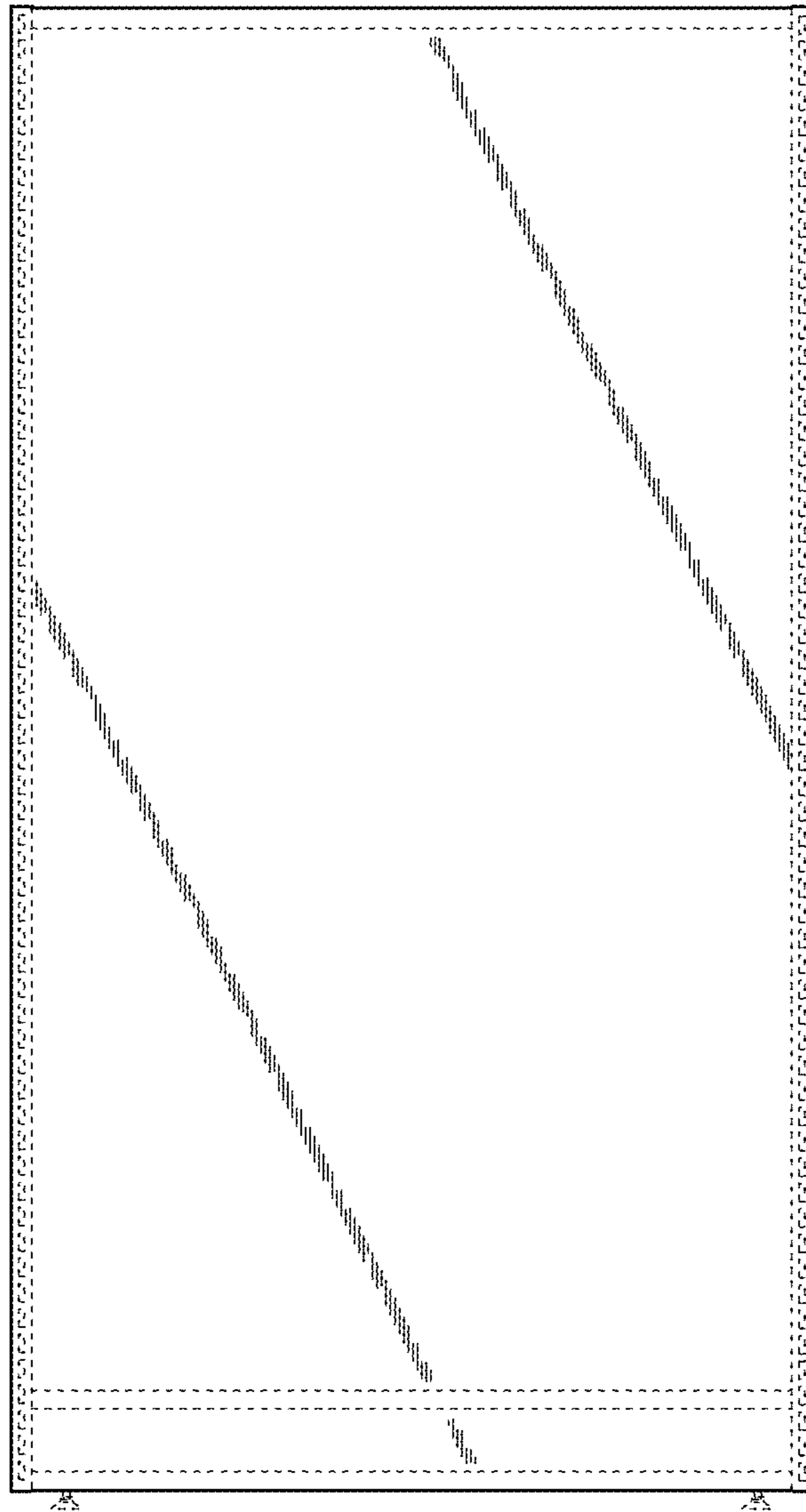


FIG. 15

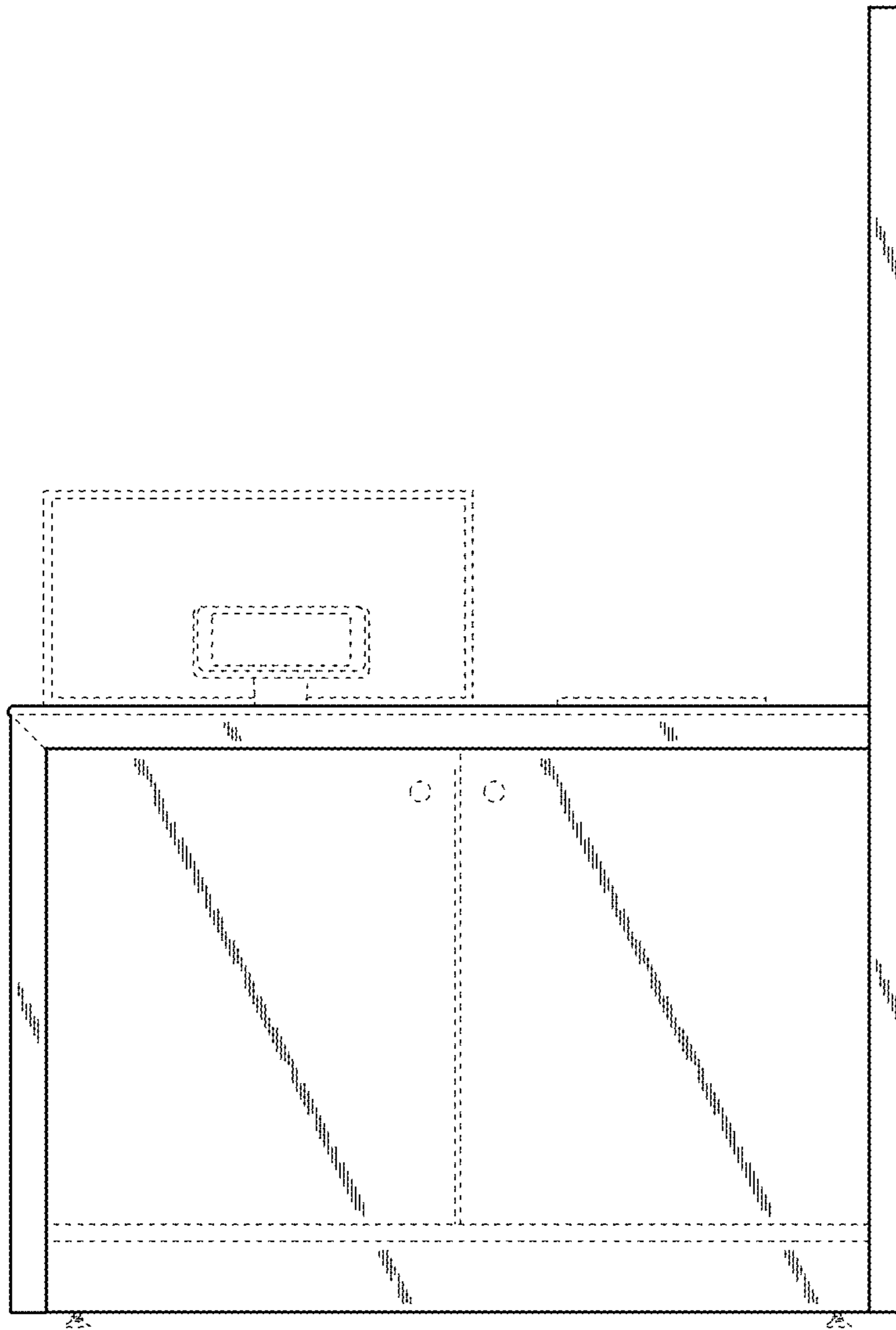


FIG. 16

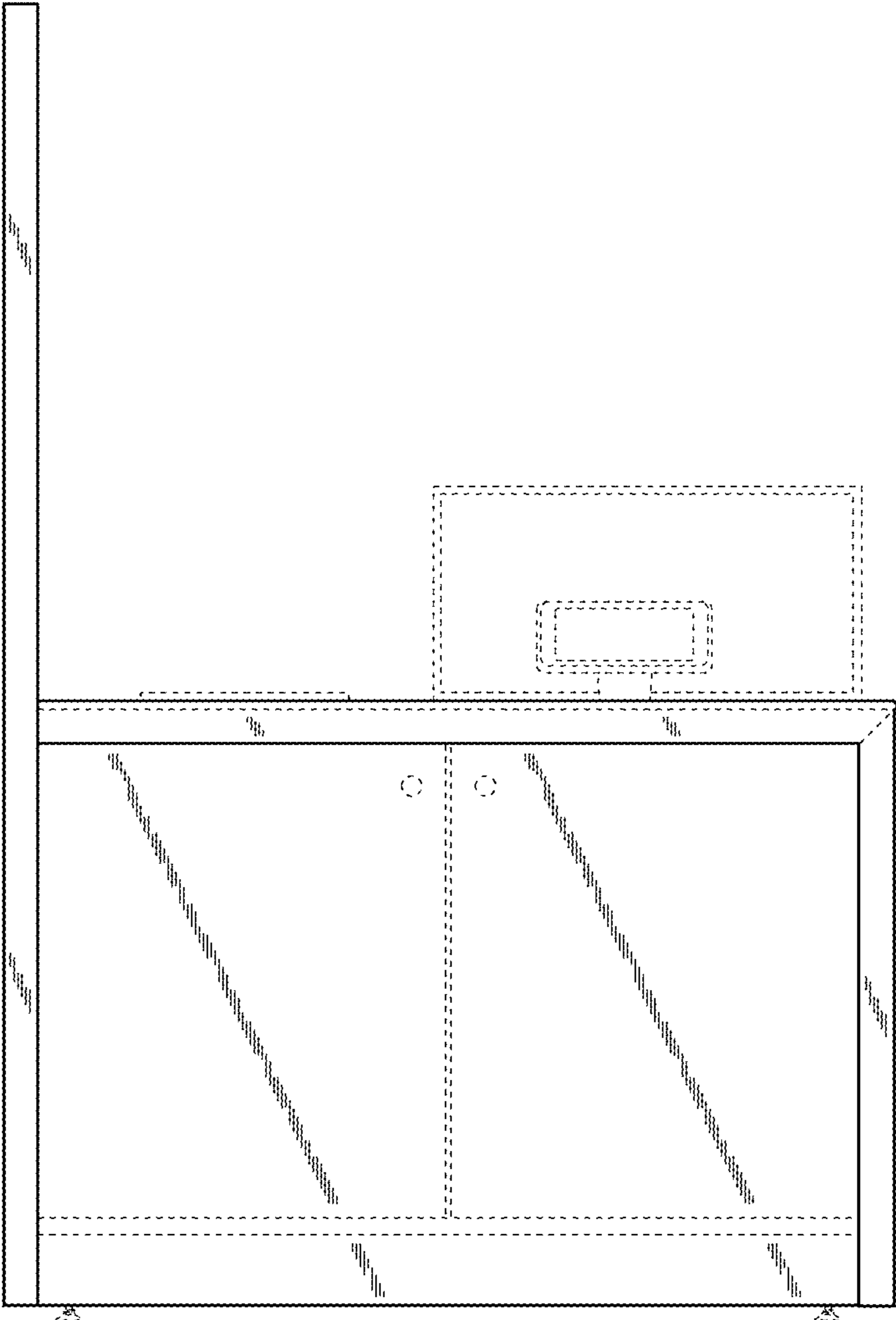


FIG. 17

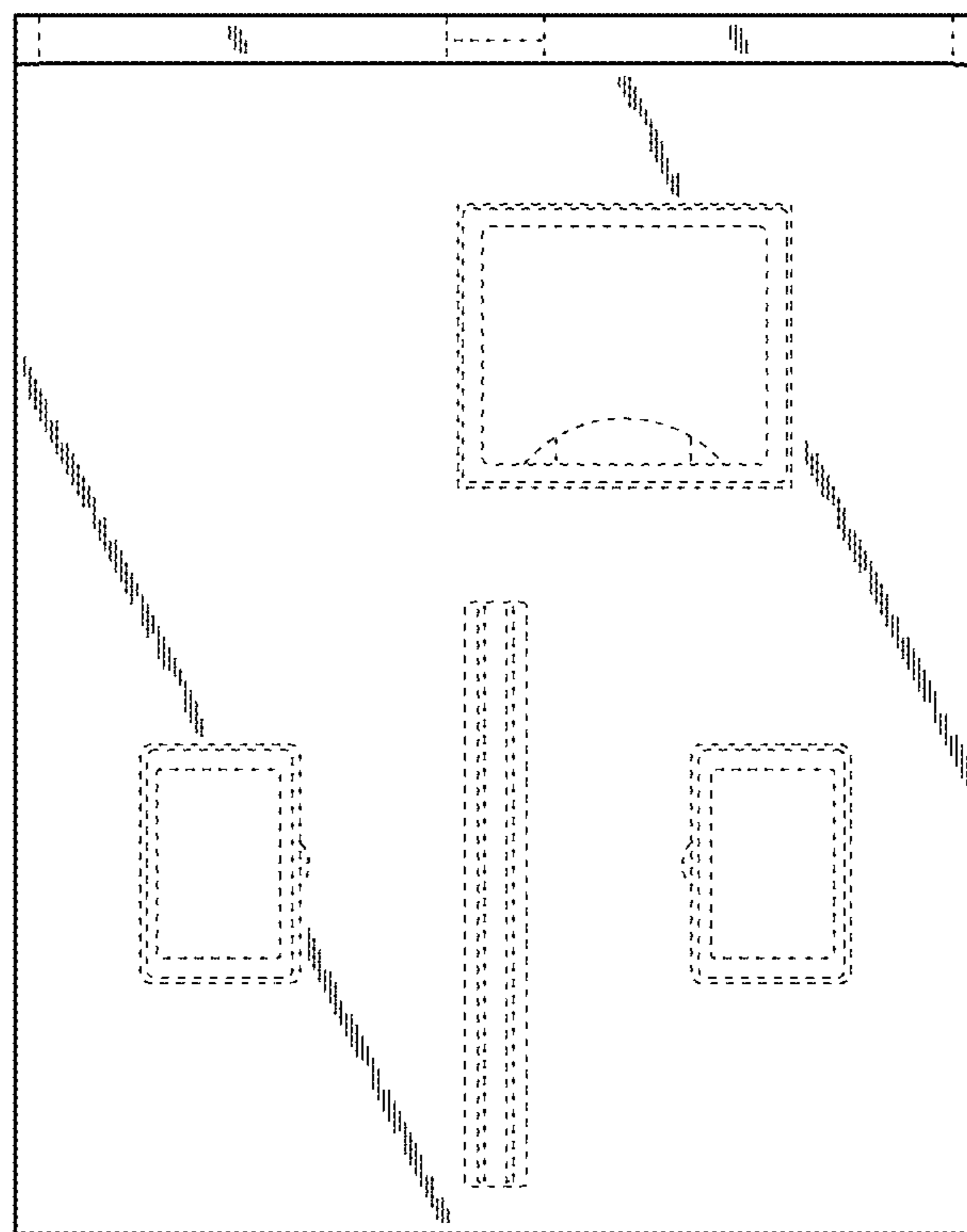


FIG. 18