



US00D787868S

(12) **United States Design Patent**
Lin

(10) **Patent No.:** **US D787,868 S**

(45) **Date of Patent:** **** May 30, 2017**

- (54) **CIRCULAR TABLE**
- (71) Applicant: **Zhuhai Shichang Metals Ltd., Zhuhai (CN)**
- (72) Inventor: **Wen-Sheng Lin, Kaohsiung (TW)**
- (73) Assignee: **Zhuhai Shichang Metals Ltd., Zhuhai (CN)**
- (**) Term: **14 Years**
- (21) Appl. No.: **29/515,873**
- (22) Filed: **Jan. 28, 2015**
- (51) **LOC (10) Cl.** **06-04**
- (52) **U.S. Cl.**
USPC **D6/692**
- (58) **Field of Classification Search**
USPC D6/641, 685, 692, 692.4, 708.16;
108/115, 118, 121, 128, 156, 157.1,
108/159.12; 248/188, 188.1
CPC A47B 3/00; A47B 3/02; A47B 3/08; A47B
23/001
See application file for complete search history.

(56) **References Cited**

U.S. PATENT DOCUMENTS

- 3,565,019 A * 2/1971 Bedol A47B 3/02
108/120
- 4,993,109 A * 2/1991 Stevens A47B 1/04
16/379
- D357,144 S * 4/1995 Hand D6/692
- D388,638 S * 1/1998 Ludlam D6/692
- D405,631 S * 2/1999 Burdick D6/691.1
- 6,508,184 B1 * 1/2003 Winter A47B 13/021
108/125
- 6,550,404 B2 * 4/2003 Stanford A47B 3/091
108/129
- D476,169 S * 6/2003 Buono D6/691.6
- D477,475 S * 7/2003 Moore D6/692.4

- D480,580 S * 10/2003 Buono D6/692.4
- 6,651,568 B1 * 11/2003 Buono A47B 3/0915
108/127
- 6,659,021 B2 * 12/2003 Wen A47B 13/02
108/125
- D511,913 S * 11/2005 Kearl D6/686
- 7,621,224 B2 * 11/2009 Lin A47B 3/0912
108/115
- D668,891 S * 10/2012 Andersen D6/691.6
- D669,711 S * 10/2012 Lievore D6/691.6
- D738,147 S * 9/2015 Lin D6/692
- D742,147 S * 11/2015 Lin D6/692
- 2003/0010262 A1 * 1/2003 Liu A47B 3/02
108/157.18
- 2005/0103958 A1 * 5/2005 Tseng A47B 3/08
248/188.6
- 2005/0155531 A1 * 7/2005 Chang A47B 3/0911
108/130
- 2005/0155532 A1 * 7/2005 Lin A47B 3/0912
108/132

(Continued)

Primary Examiner — John Windmuller

Assistant Examiner — Steven Czyz

(74) *Attorney, Agent, or Firm* — Luedeka Neely Group
PC

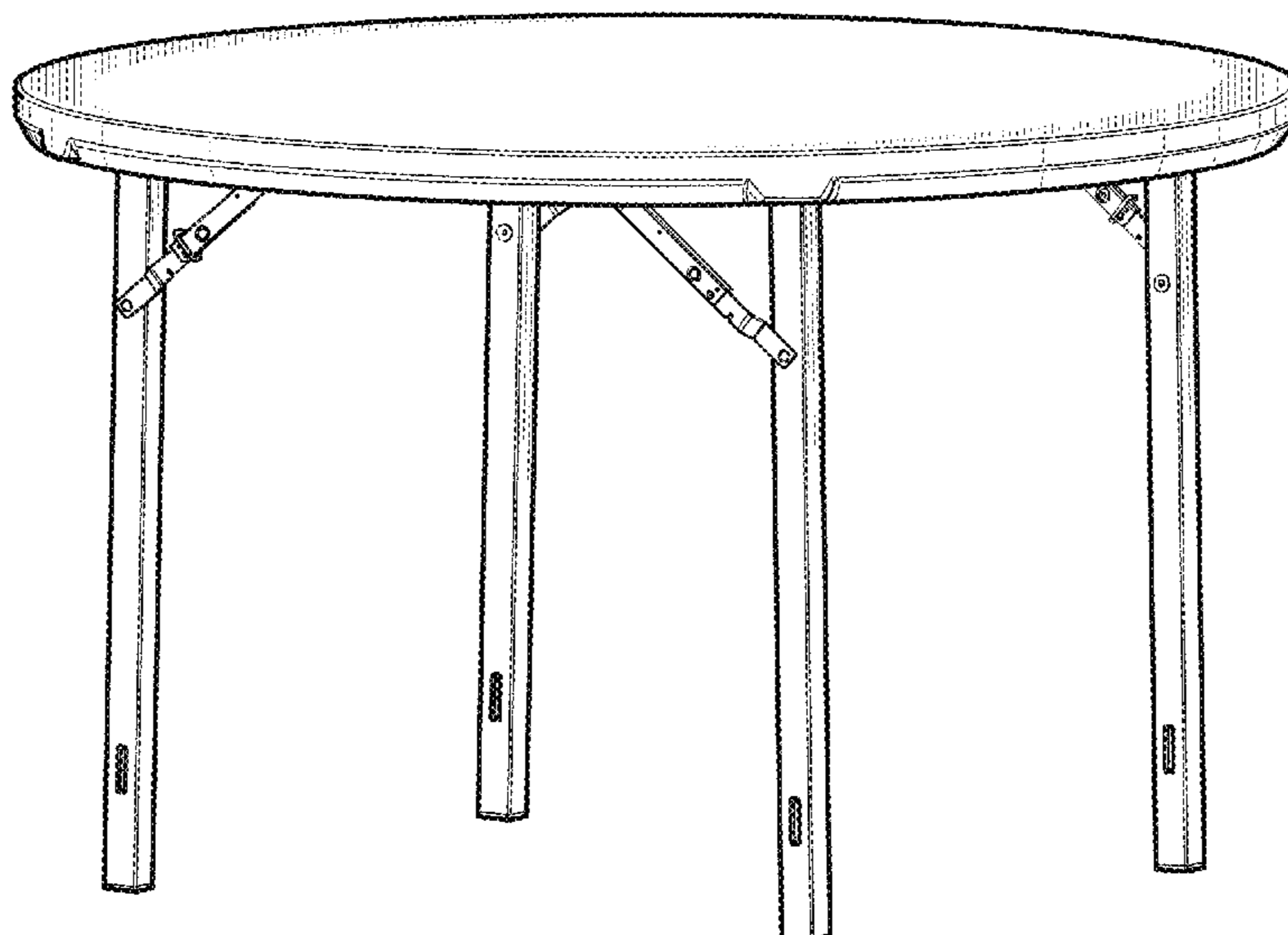
(57) **CLAIM**

The ornamental design of a circular table, as shown and described.

DESCRIPTION

FIG. 1 is a top perspective view of the circular table; FIG. 2 is a side plan view of the circular table; FIG. 3 is an end plan view of the circular table; FIG. 4 is a top plan view of the circular table; FIG. 5 is a bottom plan view of the circular table; and, FIG. 6 is a bottom perspective view of the circular table. The broken lines shown in the figures are included for the purpose of illustrating environment only and form no part of the claimed design.

1 Claim, 6 Drawing Sheets



(56)

References Cited

U.S. PATENT DOCUMENTS

2005/0155533 A1* 7/2005 Lin A47B 3/0912
108/132
2005/0279260 A1* 12/2005 Stanford A47B 3/091
108/115
2010/0224107 A1* 9/2010 Aldred A47B 3/08
108/129
2011/0203493 A1* 8/2011 Ashby A47B 3/0818
108/127
2012/0204766 A1* 8/2012 Elliott A47B 3/002
108/50.11
2012/0266789 A1* 10/2012 Peery A47B 3/0912
108/91
2013/0025509 A1* 1/2013 Jin A47B 3/087
108/166
2013/0180438 A1* 7/2013 Nye A47B 3/08
108/91
2015/0182016 A1* 7/2015 Rivera F16B 2/185
108/123
2016/0270521 A1* 9/2016 Jiang A47B 3/08

* cited by examiner

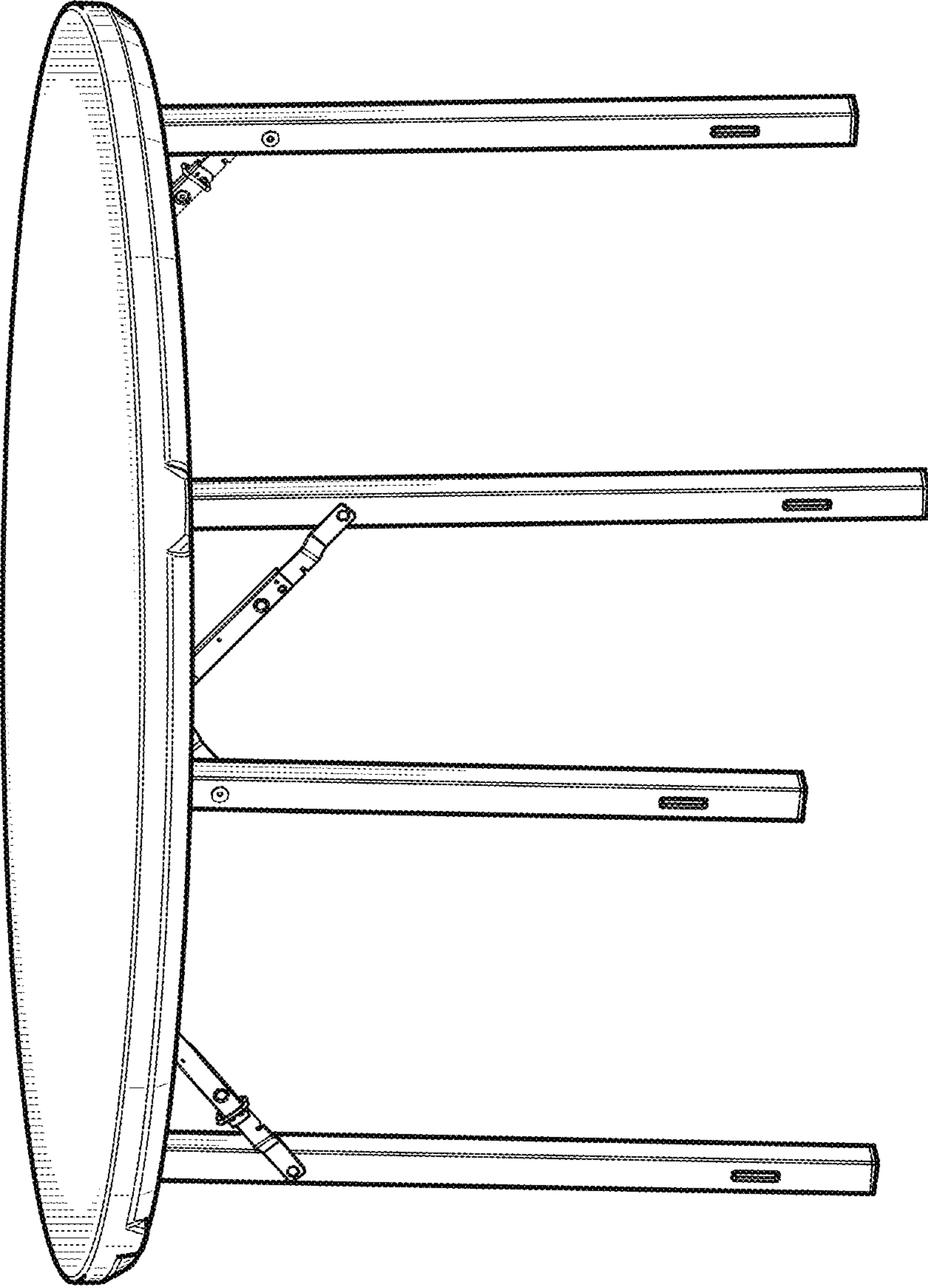


FIG. 1

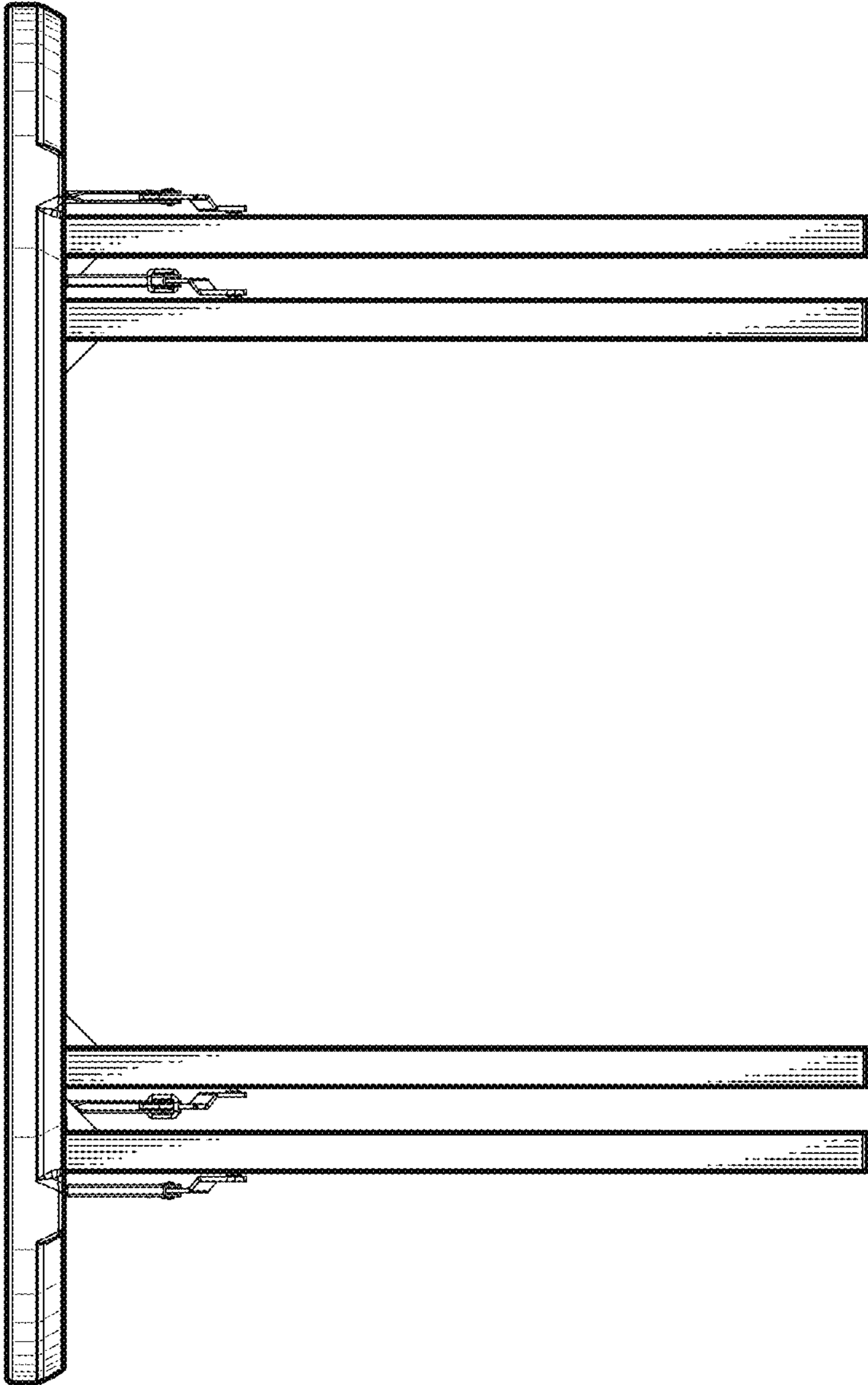


FIG. 2

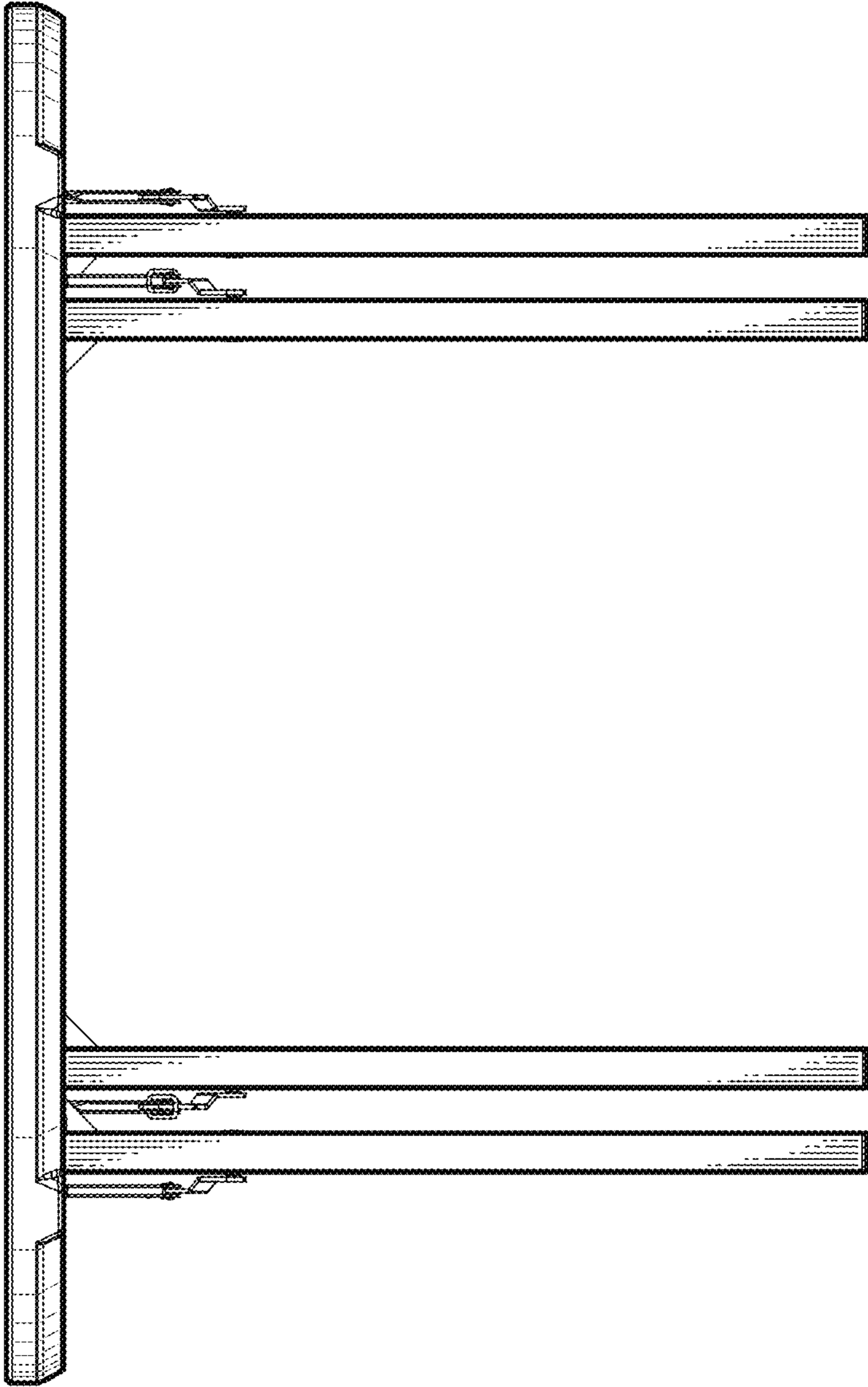


FIG. 3

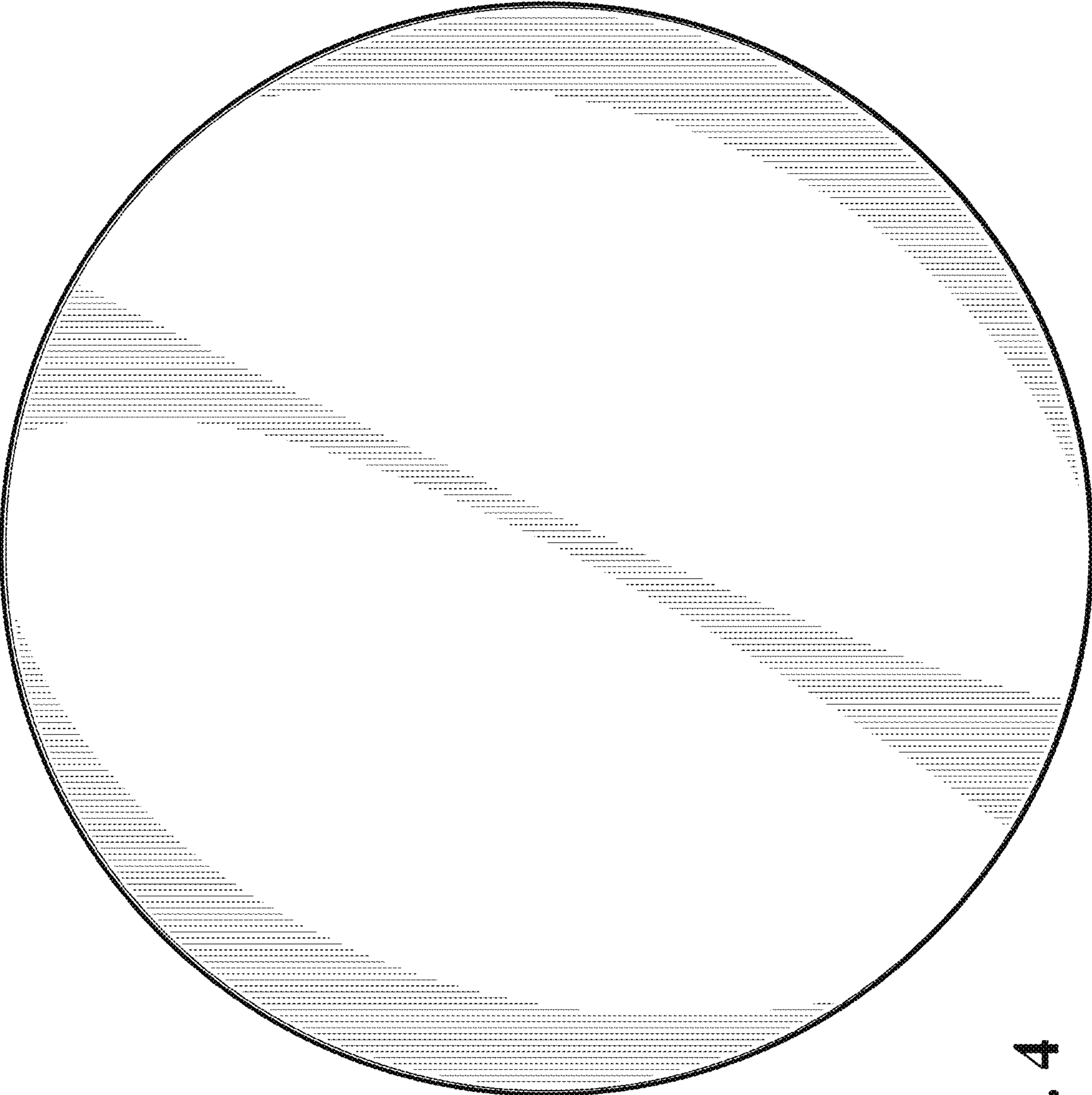


FIG. 4

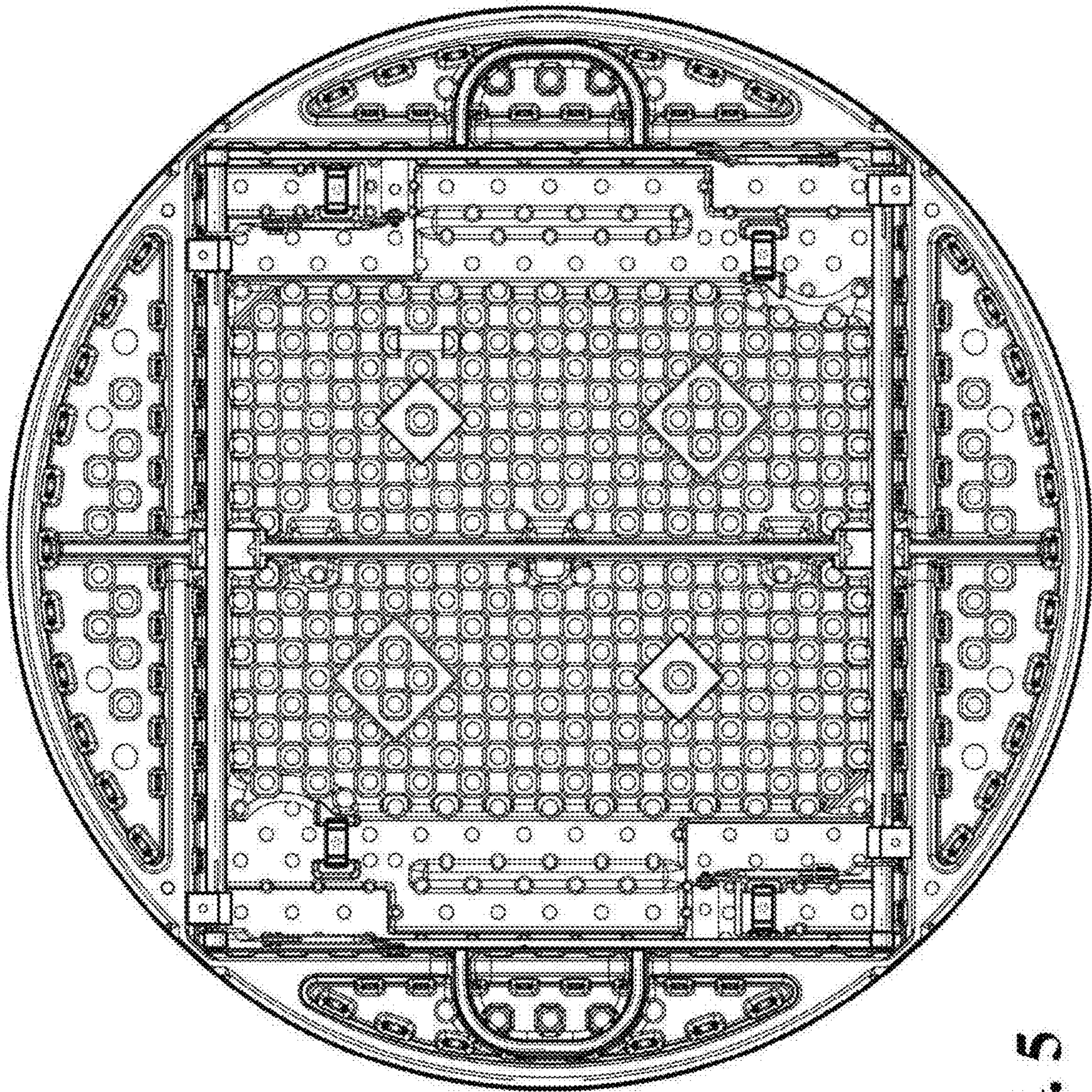


FIG. 5

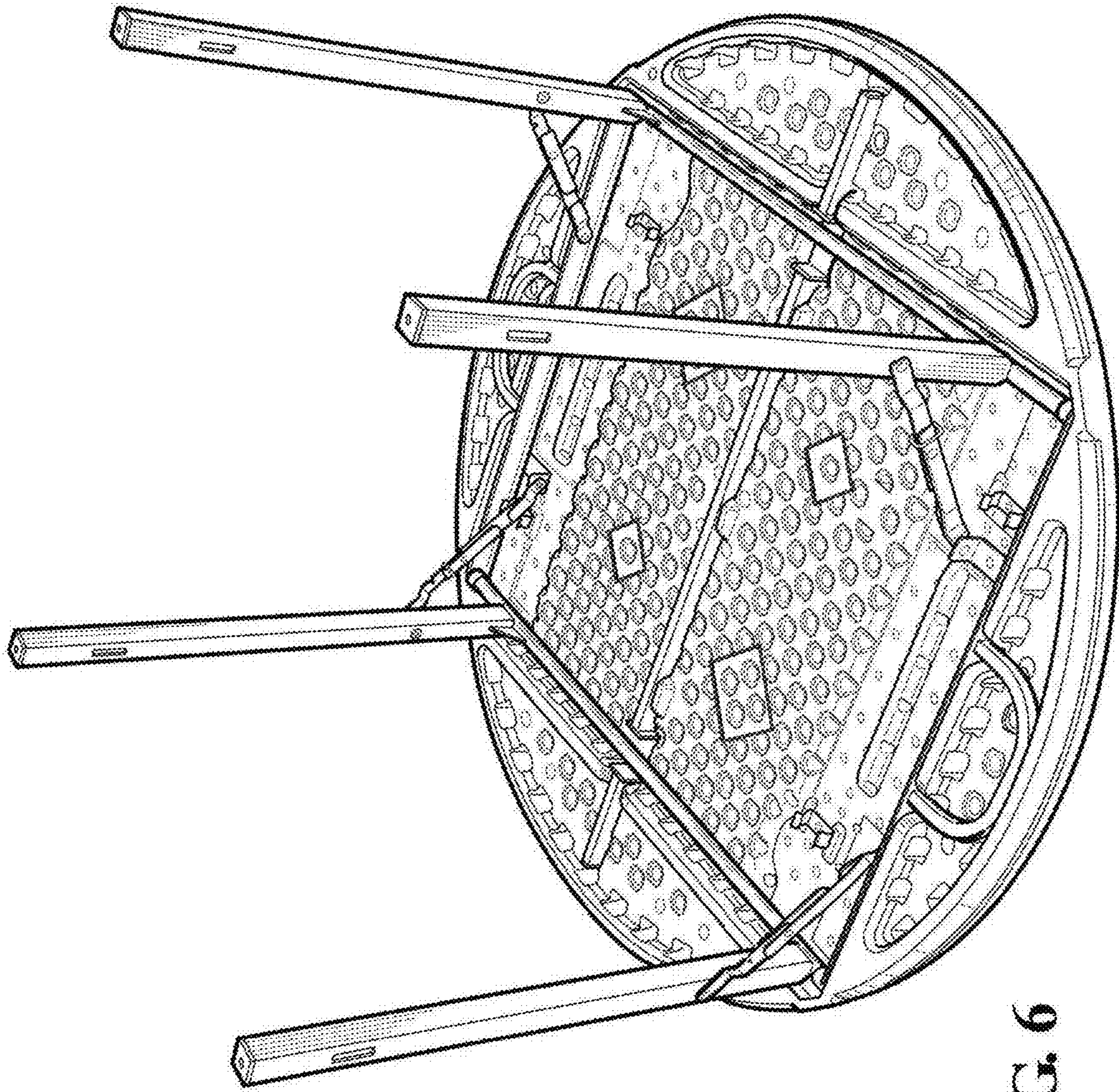


FIG. 6