



US00D787867S

(12) **United States Design Patent** (10) **Patent No.:** **US D787,867 S**
Canuto (45) **Date of Patent:** **** May 30, 2017**

(54) **DISPLAY DEVICE**
(71) Applicant: **SOREMARTEC S.A.**
(72) Inventor: **Franco Canuto**, Cuneo (IT)
(73) Assignee: **Soremartec S.A.**, Findel (LU)
(**) Term: **14 Years**
(21) Appl. No.: **29/487,215**
(22) Filed: **Apr. 7, 2014**

D463,697 S * 10/2002 Klein D6/514
D484,346 S * 12/2003 Shamoon D6/574
D486,673 S * 2/2004 Hessell D6/675.3
D497,757 S * 11/2004 Kringel D6/574
D534,017 S * 12/2006 Cuzzocrea D6/675.3
D578,815 S * 10/2008 Dominique D6/514
D585,195 S * 1/2009 Dominique D3/304
D594,230 S * 6/2009 Barkdoll D3/304
D634,134 S * 3/2011 Gingrich D6/405
D640,489 S * 6/2011 Tuholski D6/574
D641,184 S * 7/2011 Chen D6/675.3
D651,801 S * 1/2012 Brown D3/304
D705,584 S * 5/2014 Parisi D6/683
D722,243 S * 2/2015 Kehoe D6/675.3
2009/0183427 A1 * 7/2009 DiMaggio A47G 7/041
47/39

(30) **Foreign Application Priority Data**

Oct. 11, 2013 (WO) 767596401

(51) **LOC (10) Cl.** **06-04**

(52) **U.S. Cl.**
USPC **D6/683**

(58) **Field of Classification Search**
USPC D6/683, 683.1, 675.3, 681, 681.2, 570,
D6/574, 405, 566, 514, 553, 525, 512;
D3/304; D7/601; D11/143; 211/134,
211/188, 86.01, 153; 47/39; 248/346.03,
248/176.1, 146

CPC A47B 43/00; A47B 43/003; A47B 46/00;
A47B 96/025; A47F 5/0876

See application file for complete search history.

(56) **References Cited**

U.S. PATENT DOCUMENTS

D262,251 S * 12/1981 Nathan D6/683.1
D276,009 S * 10/1984 Ousley D6/525
D369,043 S * 4/1996 Parker D6/683.1
D426,403 S * 6/2000 Chumley D6/683.1

* cited by examiner

Primary Examiner — George D Kirschbaum

Assistant Examiner — Clese Moore, Jr.

(74) *Attorney, Agent, or Firm* — Rothwell, Figg, Ernst & Manbeck, P.C.

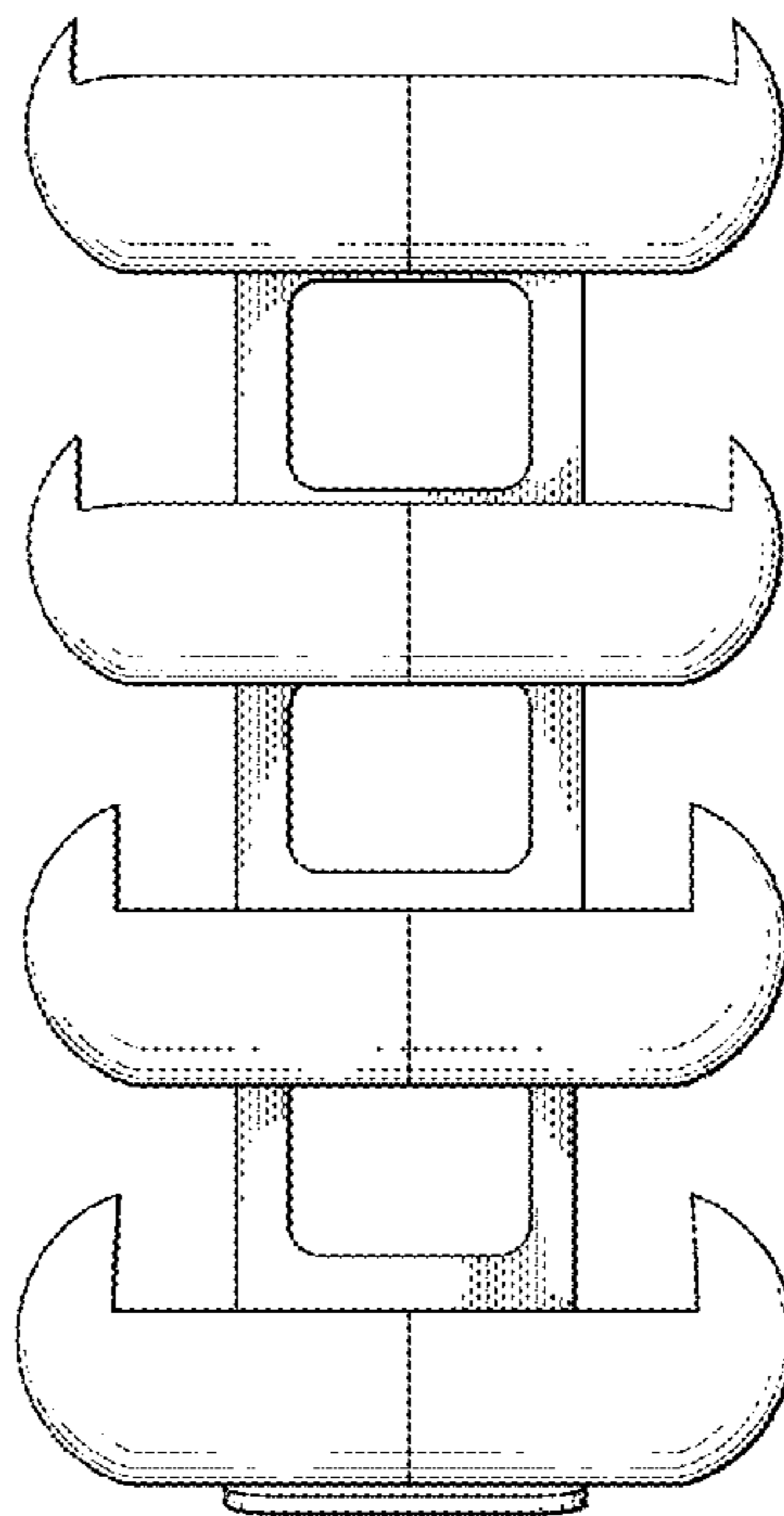
(57) **CLAIM**

The ornamental design for a display device, as shown and described.

DESCRIPTION

FIG. 1 shows a front elevation view of the display device; FIG. 2 shows a rear elevation view thereof; FIG. 3 shows a right side elevation view thereof; FIG. 4 shows a left side elevation view thereof; FIG. 5 shows a top plan thereof; FIG. 6 shows a bottom plan thereof; and, FIG. 7 shows a perspective view thereof.

1 Claim, 7 Drawing Sheets



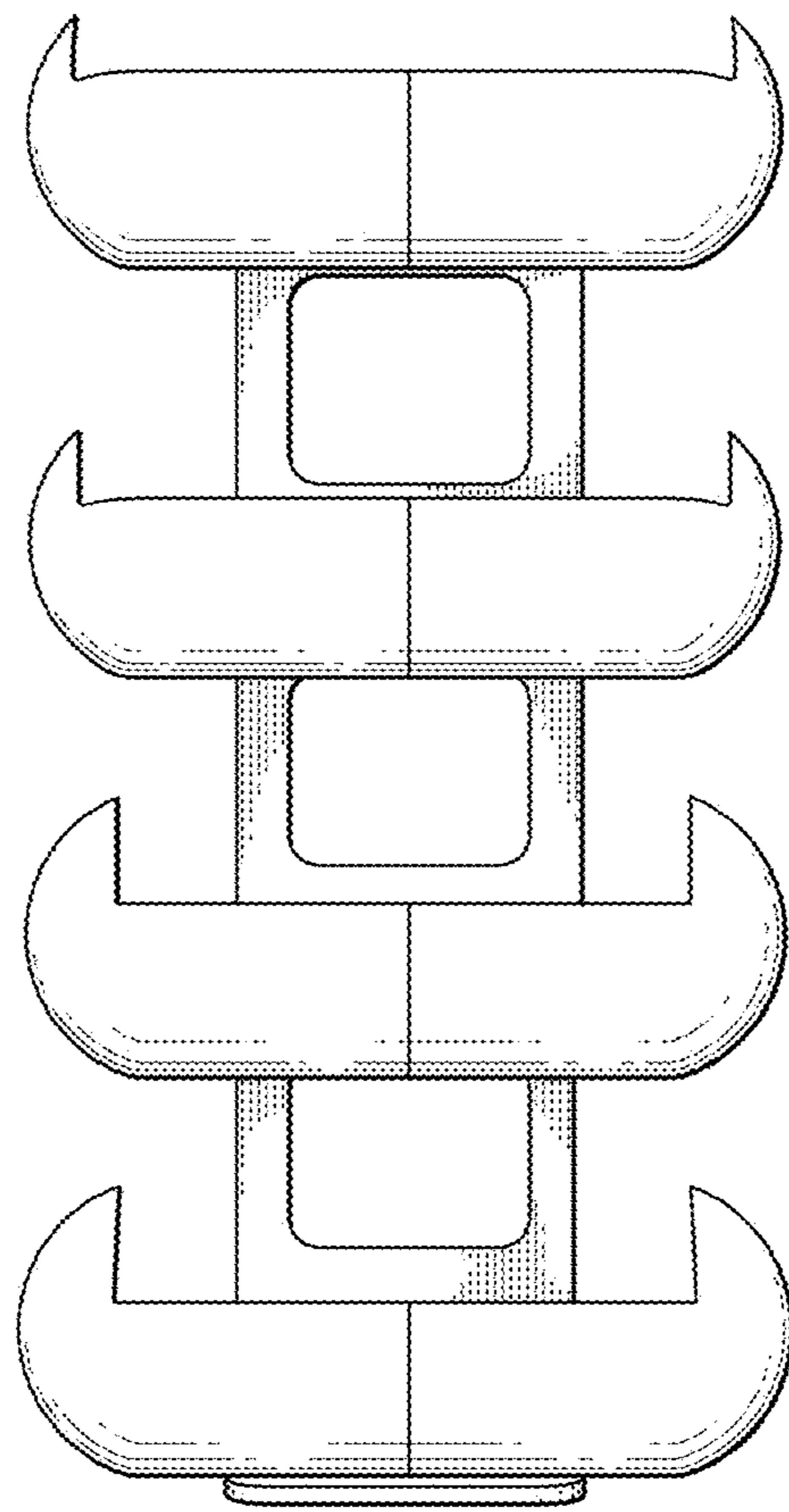


FIG. 1

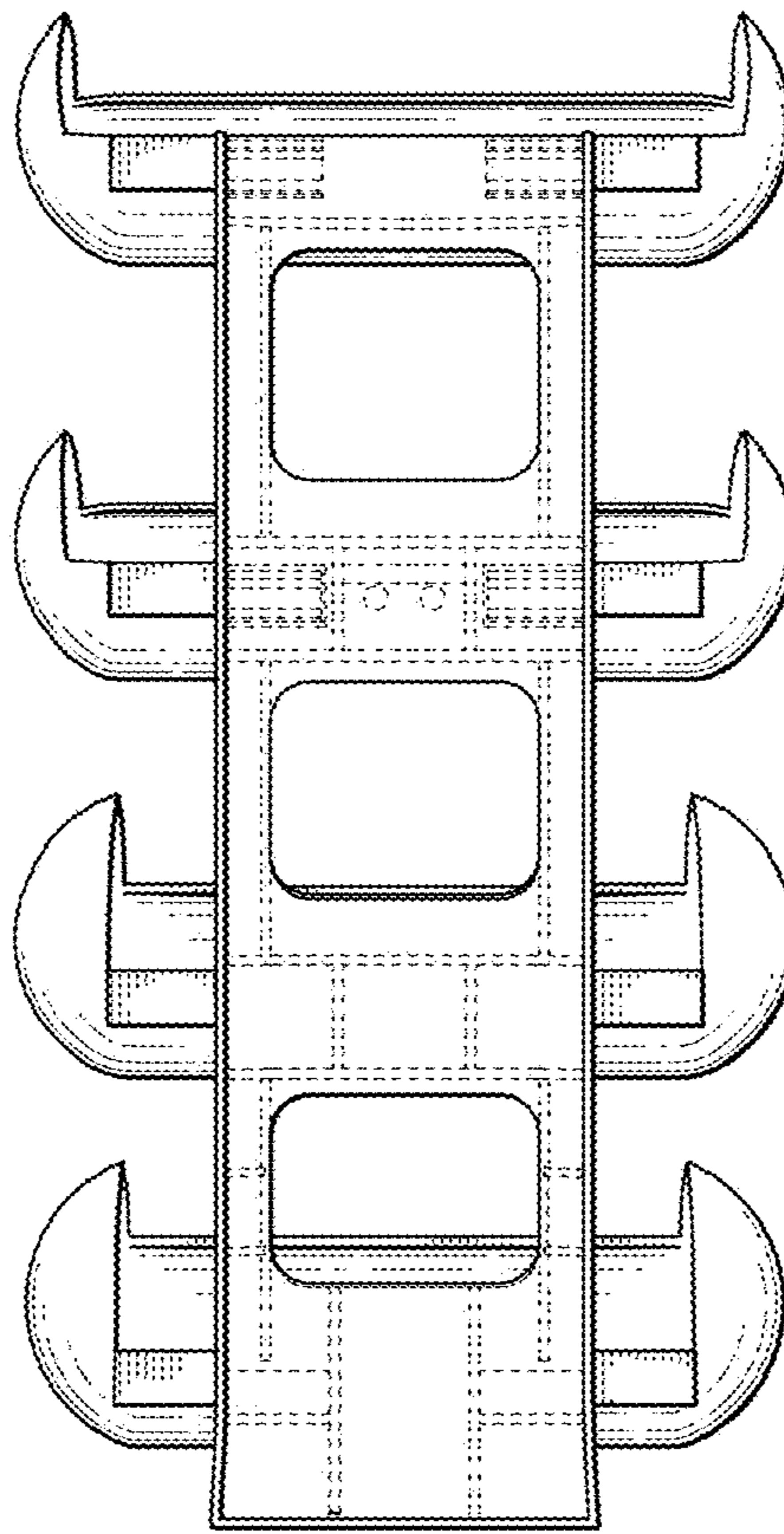


FIG. 2

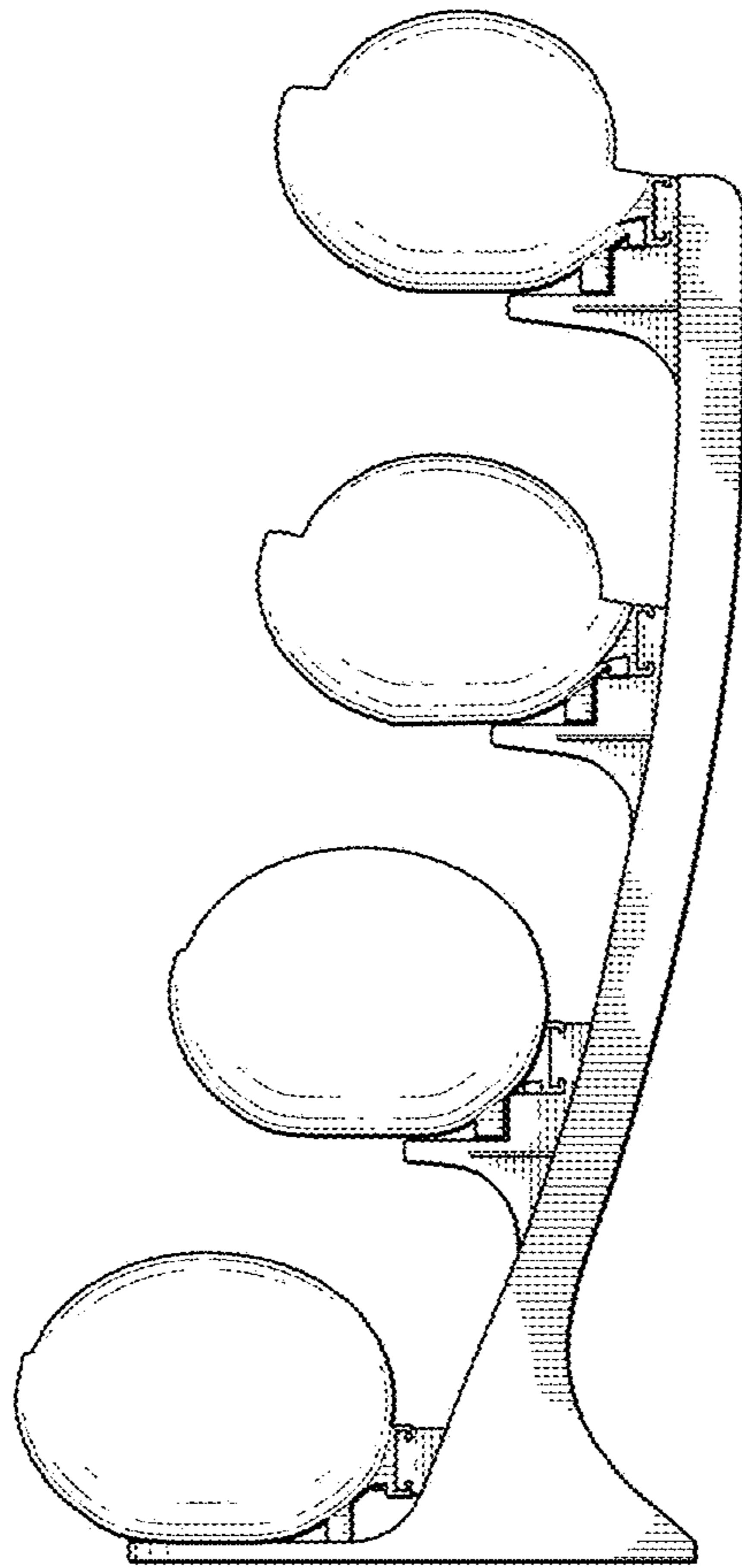


FIG. 3

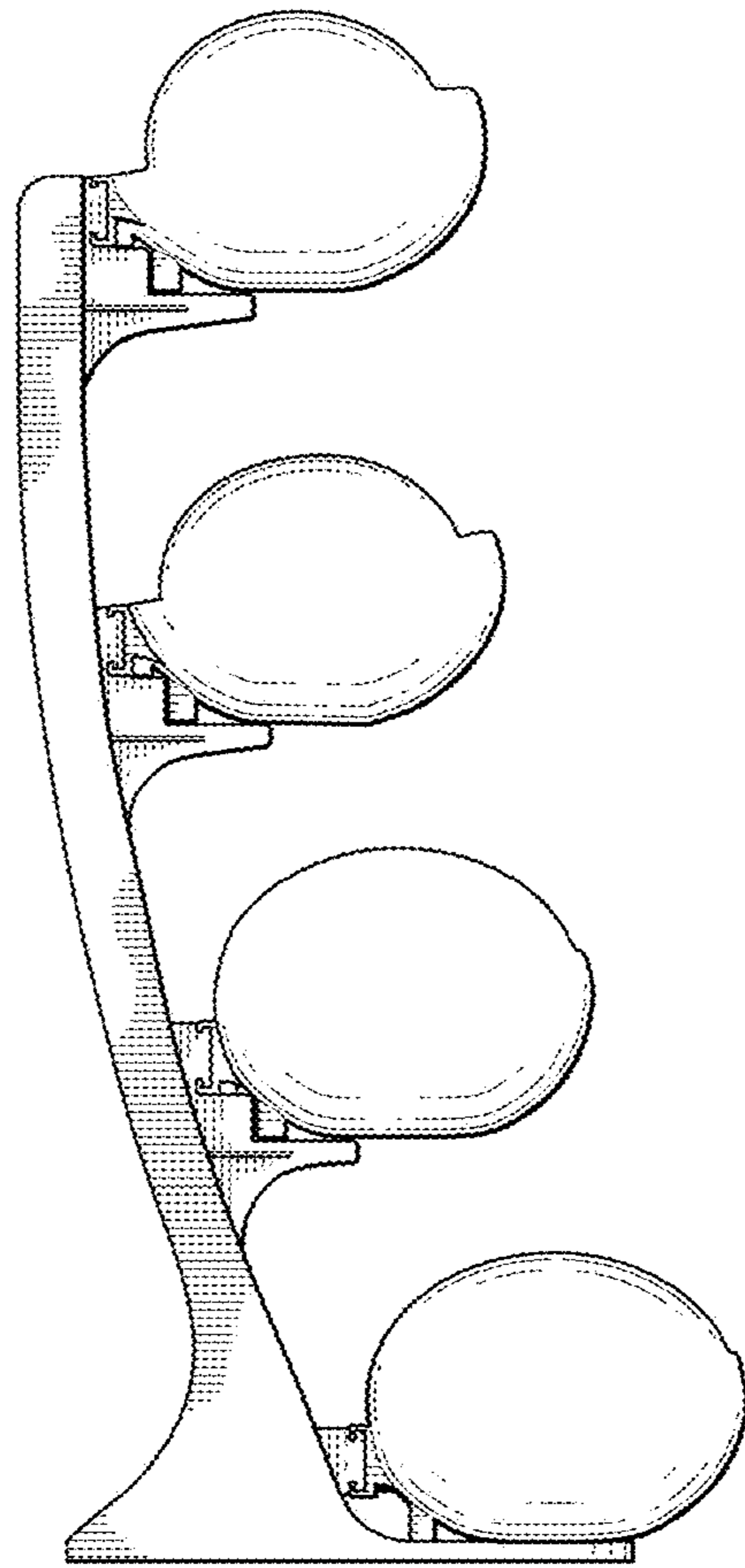


FIG. 4

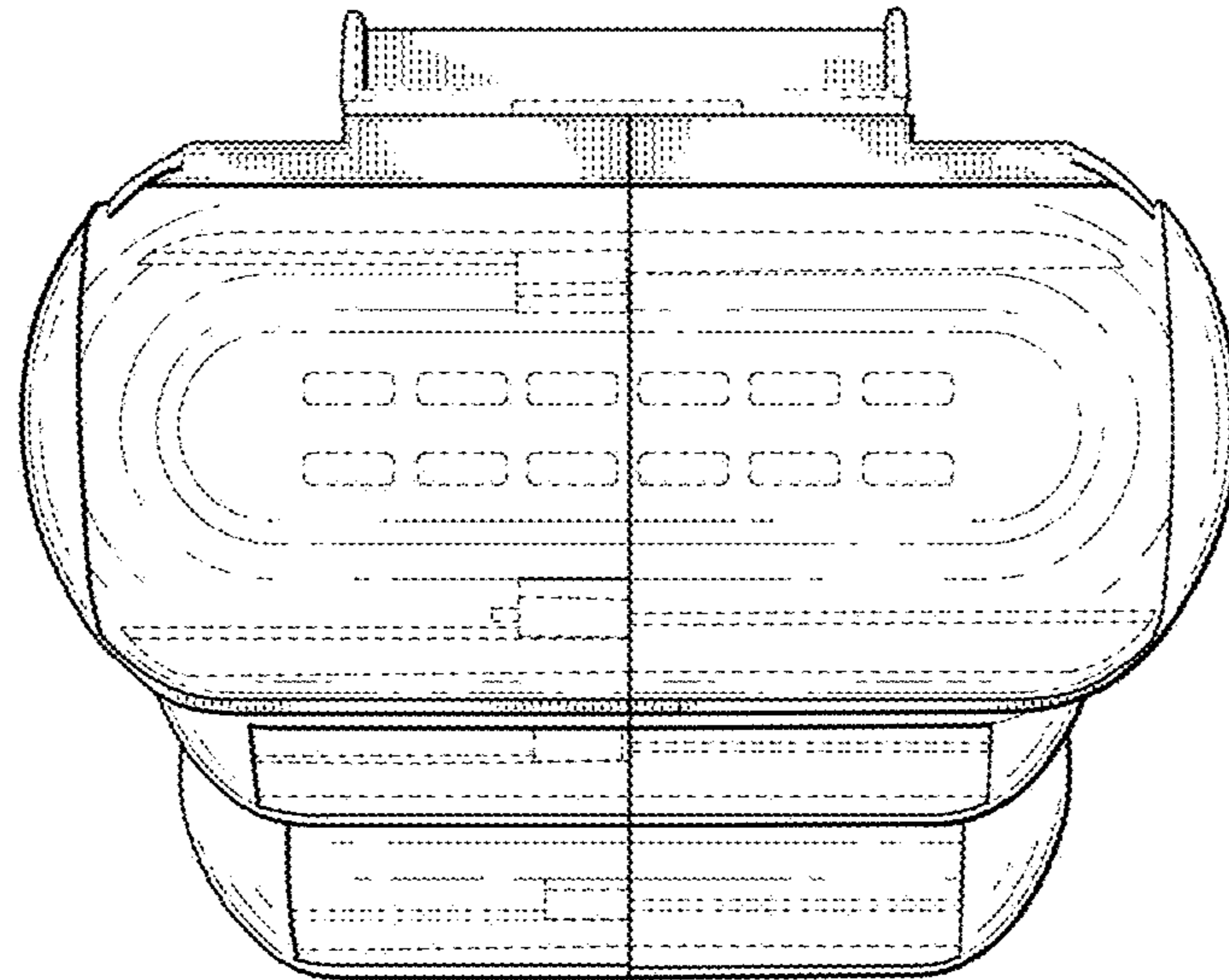


FIG. 5

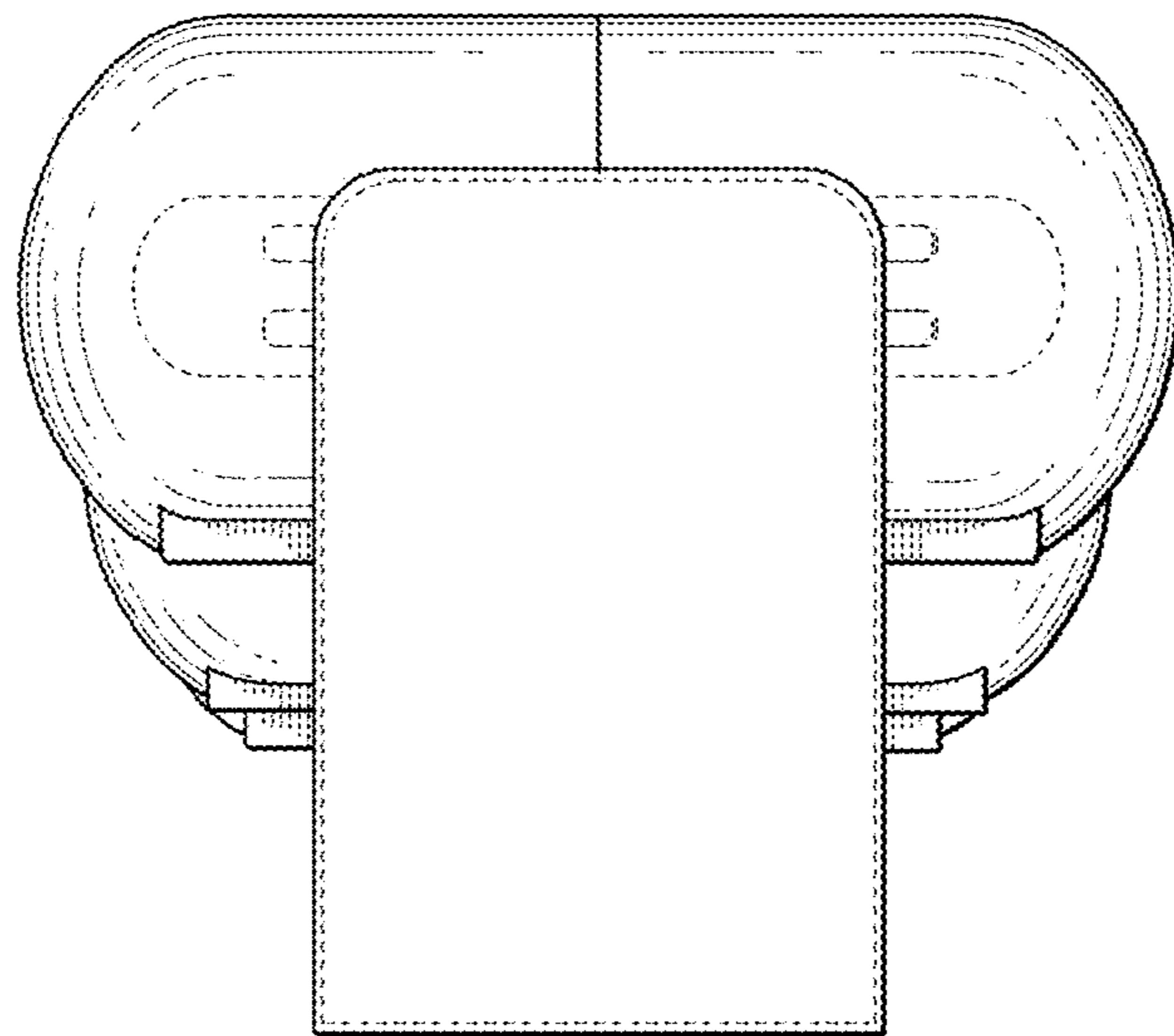


FIG. 6

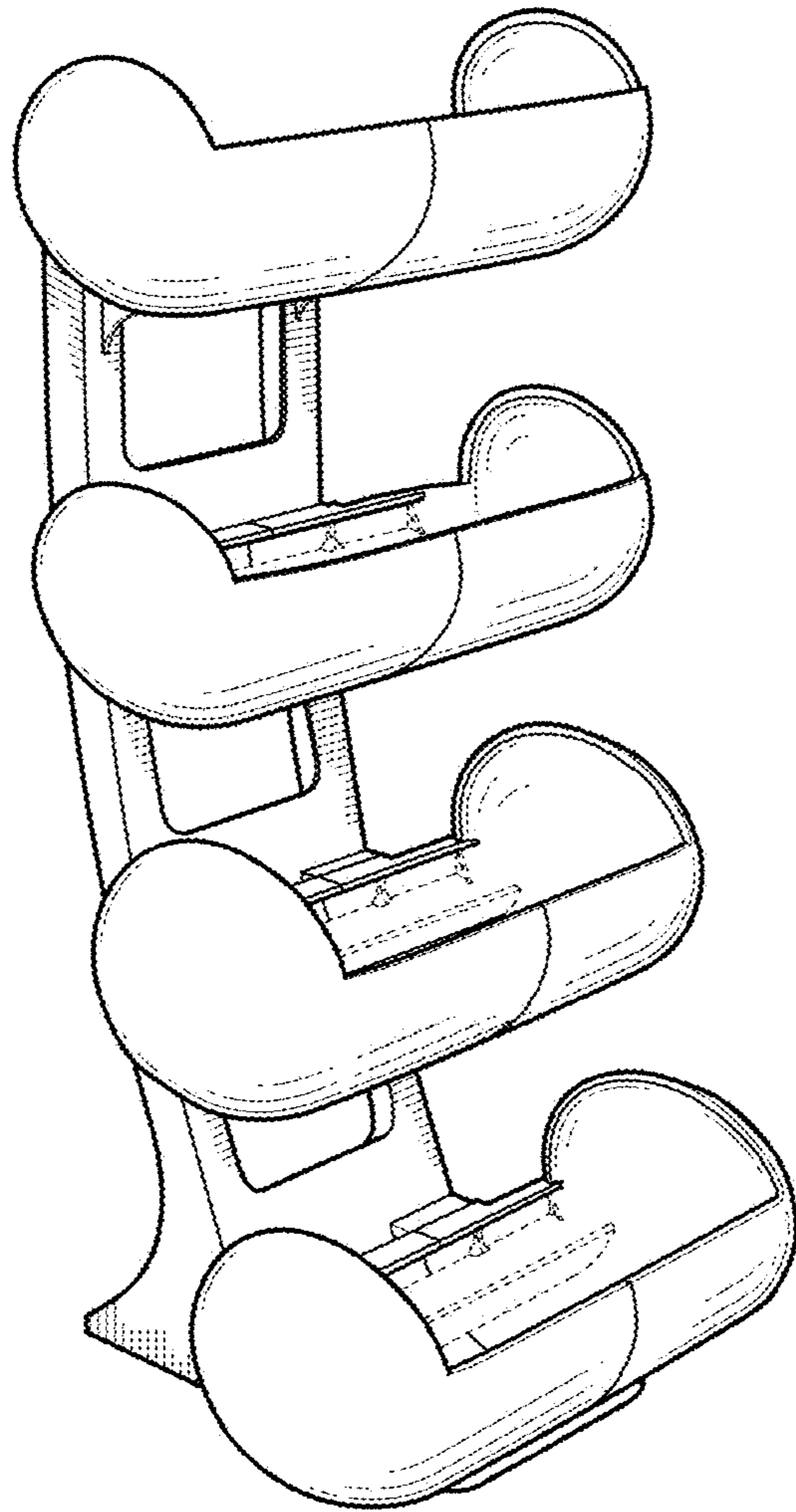


FIG. 7