



US00D787866S

(12) **United States Design Patent** (10) **Patent No.:** **US D787,866 S**
Baraldi et al. (45) **Date of Patent:** **** *May 30, 2017**

(54) **CONSOLE PEDESTAL**

A47B 63/00; A47F 1/00; A47F 1/04;
A47F 3/085

(71) Applicant: **QubicaAMF WORLDWIDE S.à.r.l.**,
Luxembourg (LU)

See application file for complete search history.

(72) Inventors: **Massimo Baraldi**, Bologna (IT);
Michele Oca, San Matteo Della Decima
(IT)

(56) **References Cited**

U.S. PATENT DOCUMENTS

(73) Assignee: **QUBICAAMF WORLDWIDE, LLC**,
Mechanicsville, VA (US)

D210,035	S	*	1/1968	Schaefer	D10/46.1
D210,608	S	*	3/1968	Schaefer et al.	D10/46.1
D356,962	S	*	4/1995	Barrett	D10/46.1
D357,721	S	*	4/1995	Barrett et al.	D21/785
D368,293	S	*	3/1996	Barrett	D10/46.1
D376,402	S	*	12/1996	Barrett	D10/46.1
D377,784	S	*	2/1997	Wilson	D10/93
D378,534	S	*	3/1997	Kato	D14/371

(*) Notice: This patent is subject to a terminal disclaimer.

(Continued)

(**) Term: **14 Years**

OTHER PUBLICATIONS

(21) Appl. No.: **29/467,458**

Bowler Consoles, announced Jun. 19, 2014, [online], [site visited Sep. 17, 2014]. Available from Internet, <URL: <http://www.qubicaamf.com/en-US/Products/Scoring-and-Center-Management/Bowler-Consoles>>.*

(22) Filed: **Sep. 19, 2013**

(Continued)

(51) **LOC (10) Cl.** **06-06**

(52) **U.S. Cl.**
USPC **D6/681.3**; D6/700; D10/46.1; D20/10;
D21/785; D14/302; D14/306

Primary Examiner — Thomas Johannes
Assistant Examiner — Catherine Posthauer
(74) *Attorney, Agent, or Firm* — Andrew M. Calderon;
Roberts Mlotkowski Safran Cole & Calderon, P.C.

(58) **Field of Classification Search**
USPC D2/826, 828; D3/6; D6/301, 310, 363,
D6/316, 319, 320, 322, 324, 343, 641,
D6/672, 681.1, 681.2, 681.3, 682, 689,
D6/694, 700, 701, 702, 708, 513, 546,
D6/570, 579; D14/305, 306, 314, 358,
D14/372, 373, 421, 432, 447, 463, 224,
D14/225, 900, 902, 203, 211, 302;
D16/203, 210, 239, 244, 245, 235, 237;
D17/13; D19/922, 60, 62; D20/10, 785,
D20/46.1, 41, 211, 248; D21/785, 786,
D21/821; D24/185, 183; D26/51;
D34/31; 211/33, 190; D10/2, 46.1
CPC A63D 5/04; A63D 5/00; A47B 57/585;

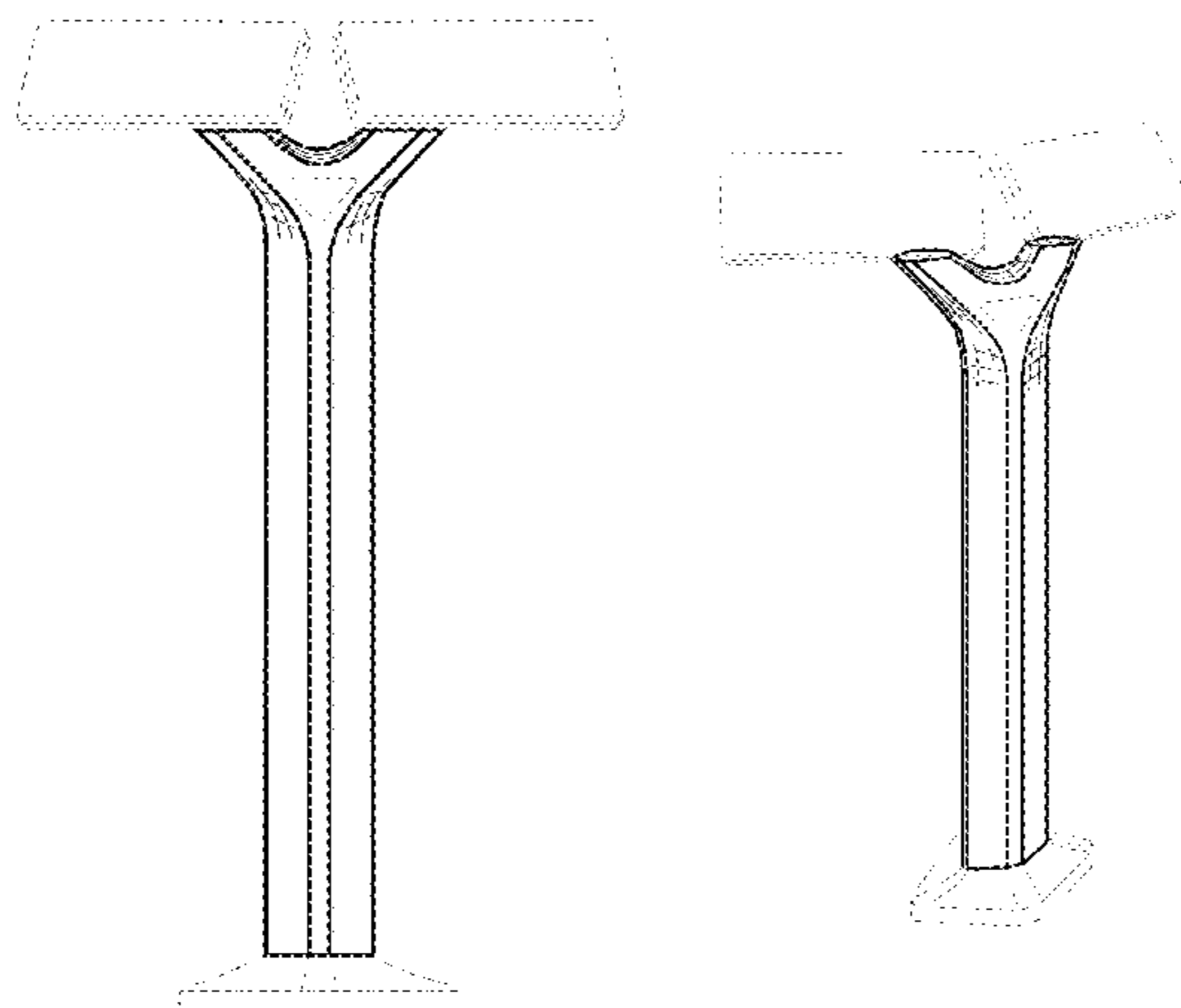
(57) **CLAIM**

We claim the ornamental design for a console pedestal, as shown and described.

DESCRIPTION

FIG. 1 is front view of a console pedestal;
FIG. 2 is rear view of the console pedestal;
FIG. 3 is a top view of the console pedestal; and,
FIG. 4 is a perspective view of the console pedestal.
Applicant notes that the side view of the console pedestal as shown in FIG. 3 is representative of both a right side view and left side view of the console pedestal. The broken lines shown in the drawings represent portions of the console

(Continued)



pedestal that form no part of the claimed design. Surface shading is used to describe curvature and angles and should not be construed as a pattern on a surface of the console pedestal.

1 Claim, 4 Drawing Sheets

(56)

References Cited

U.S. PATENT DOCUMENTS

5,719,548 A * 2/1998 Stirling A63D 5/04
340/323 B
D414,434 S * 9/1999 Arney D10/46.1
D416,208 S * 11/1999 Arney D10/46.1
D416,707 S * 11/1999 Plainfield D6/656
D417,893 S * 12/1999 Hunter D14/900
D436,999 S * 1/2001 Cronley D20/10
D451,966 S * 12/2001 Skog D20/10

D452,712 S * 1/2002 Kim D20/10
D480,731 S * 10/2003 Becker D14/302
D482,900 S * 12/2003 DeJule D6/700
D483,379 S * 12/2003 Becker D14/302
D507,270 S * 7/2005 Ozolins et al. D14/375
D550,663 S * 9/2007 Olea D14/307
D561,490 S * 2/2008 Traun D6/700
D563,404 S * 3/2008 Taniho D14/302
D589,959 S * 4/2009 Han D14/373
D598,217 S * 8/2009 Bode D6/681.2
D605,191 S * 12/2009 Kuroda et al. D14/307
D635,800 S * 4/2011 Rodgers D6/681.2
D720,165 S * 12/2014 Kincaid D6/681.2

OTHER PUBLICATIONS

Bowling Consoles: Site Visited Oct. 28, 2016. Available from Internet UR:: <https://www.qubicaamf.com/bowling-products/scoring-management-systems/scoring-systems/bowler-consoles>.*

* cited by examiner

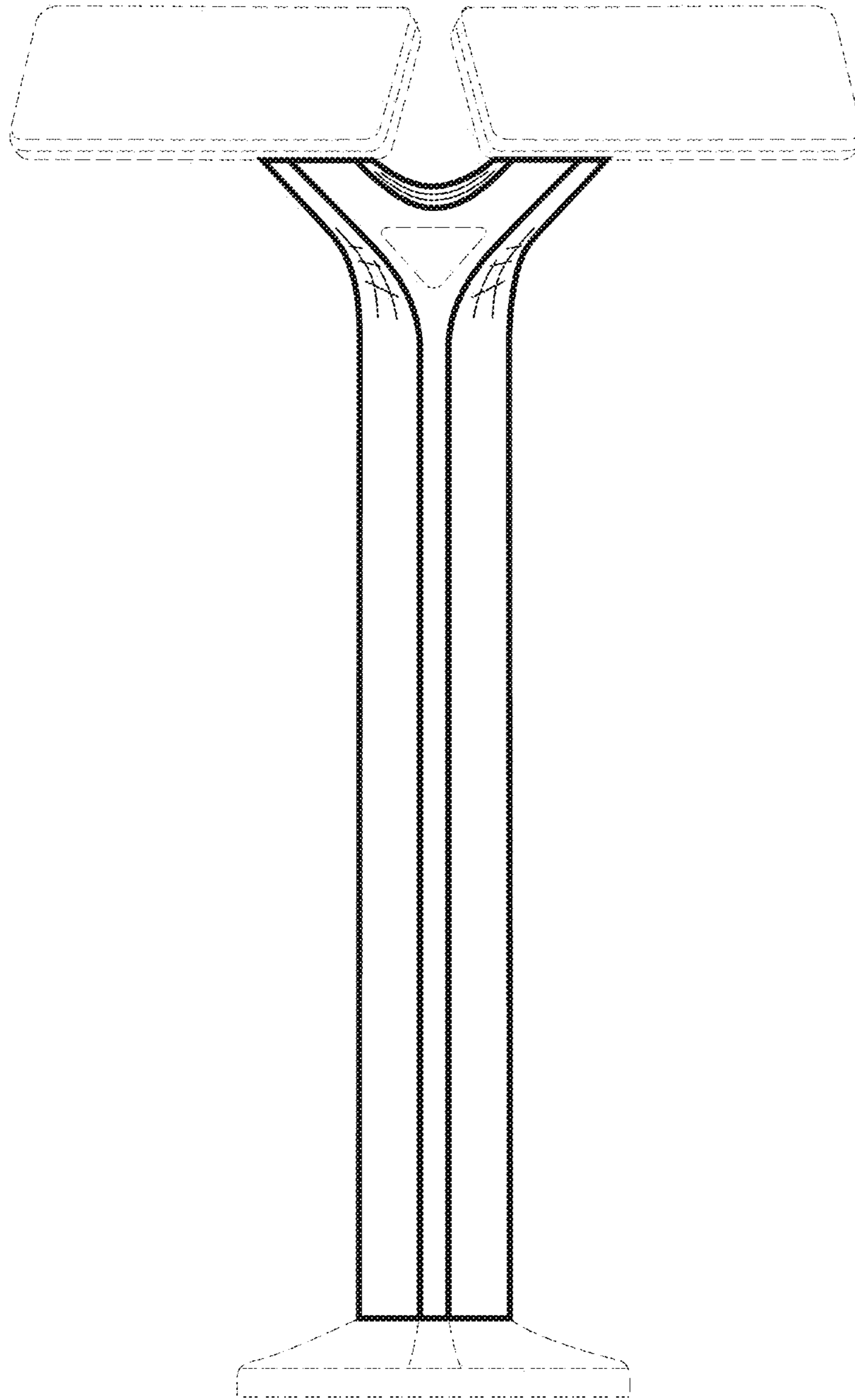


FIG. 1

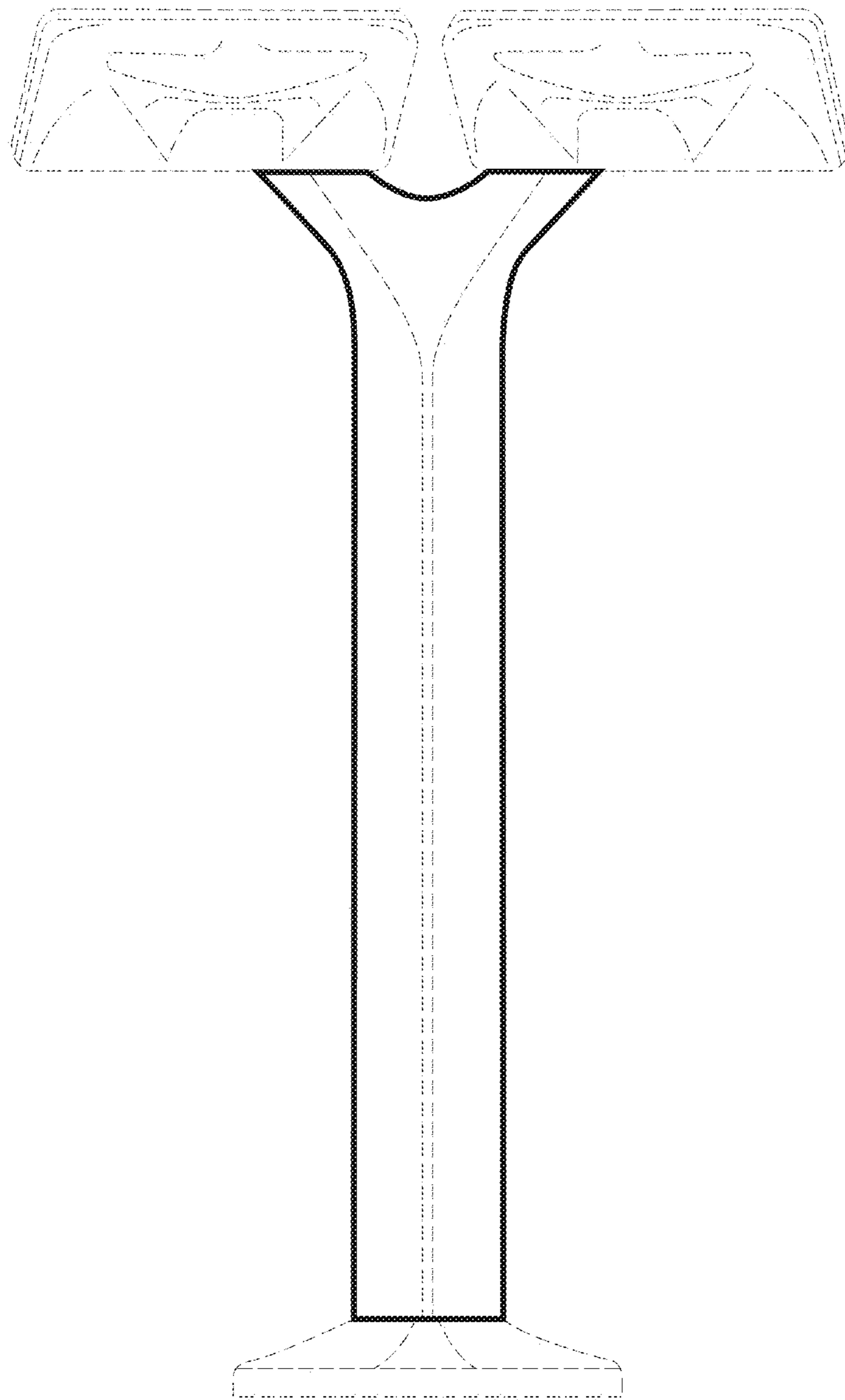


FIG. 2

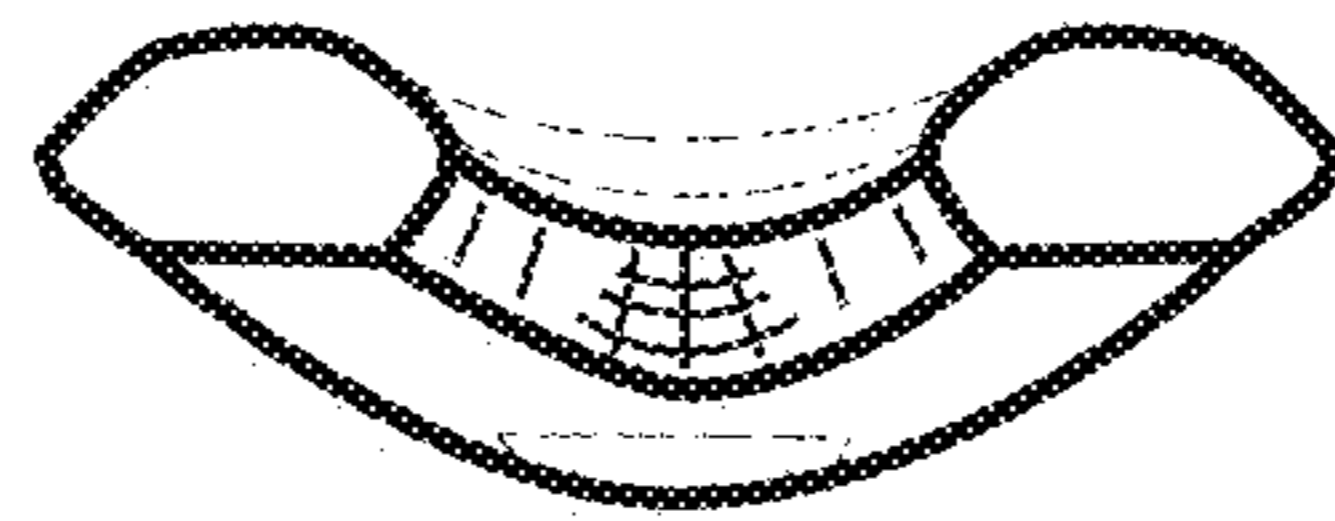


FIG. 3

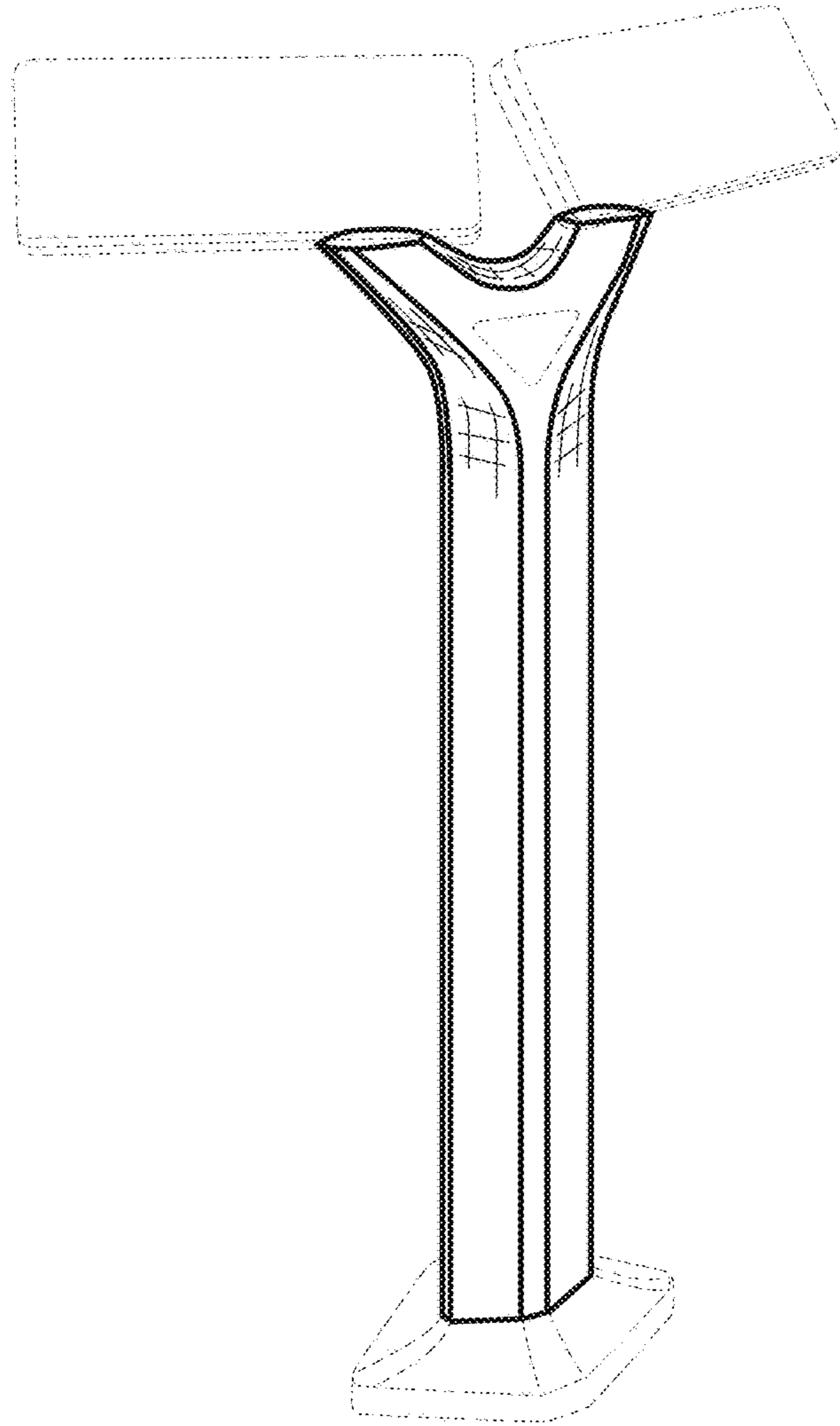


FIG. 4