



US00D787865S

(12) **United States Design Patent** (10) **Patent No.:** **US D787,865 S**  
**Liu** (45) **Date of Patent:** **\*\* May 30, 2017**

(54) **HUTCH**  
(71) Applicant: **Wenlong Liu**, Dongguan (CN)  
(72) Inventor: **Wenlong Liu**, Dongguan (CN)  
(\*\*) Term: **15 Years**  
(21) Appl. No.: **29/539,565**  
(22) Filed: **Sep. 15, 2015**  
(51) **LOC (10) Cl.** ..... **06-04**  
(52) **U.S. Cl.**  
USPC ..... **D6/660**  
(58) **Field of Classification Search**  
USPC ..... D6/370, 570, 630, 657, 659, 653.1,  
D6/660-661, 662-662.1, 663, 664, 671,  
D6/671.1, 672, 675.2-675.4, 678.1-682.2,  
D6/703.1  
CPC ..... A47B 17/03; A47B 17/04; A47B 57/16;  
A47F 2/00; A47F 3/00; A47F 3/005;  
A47F 3/06; A47F 7/00; A47F 7/021;  
A47F 7/283; A47F 9/00; E04B  
2002/7483; E04B 2002/7488  
See application file for complete search history.

(56) **References Cited**  
U.S. PATENT DOCUMENTS  
D242,678 S \* 12/1976 Adkinson ..... D6/660  
D469,631 S \* 2/2003 Vaaler ..... D6/660

D487,202 S \* 3/2004 Schmitt ..... D6/660  
D510,212 S \* 10/2005 Schmitt ..... D6/660  
D564,259 S \* 3/2008 Hassett, Jr. .... D6/660  
D564,795 S \* 3/2008 Schmitt ..... D6/660  
D565,325 S \* 4/2008 Schmitt ..... D6/660  
D586,586 S \* 2/2009 Schmitt ..... D6/660  
D592,890 S \* 5/2009 Schmitt ..... D6/660  
D599,139 S \* 9/2009 Schmitt ..... D6/660  
D623,444 S \* 9/2010 Schmitt ..... D6/660  
D653,056 S \* 1/2012 Schmitt ..... D6/660  
D708,458 S \* 7/2014 Schmitt ..... D6/660

\* cited by examiner

*Primary Examiner* — Ricky Pham

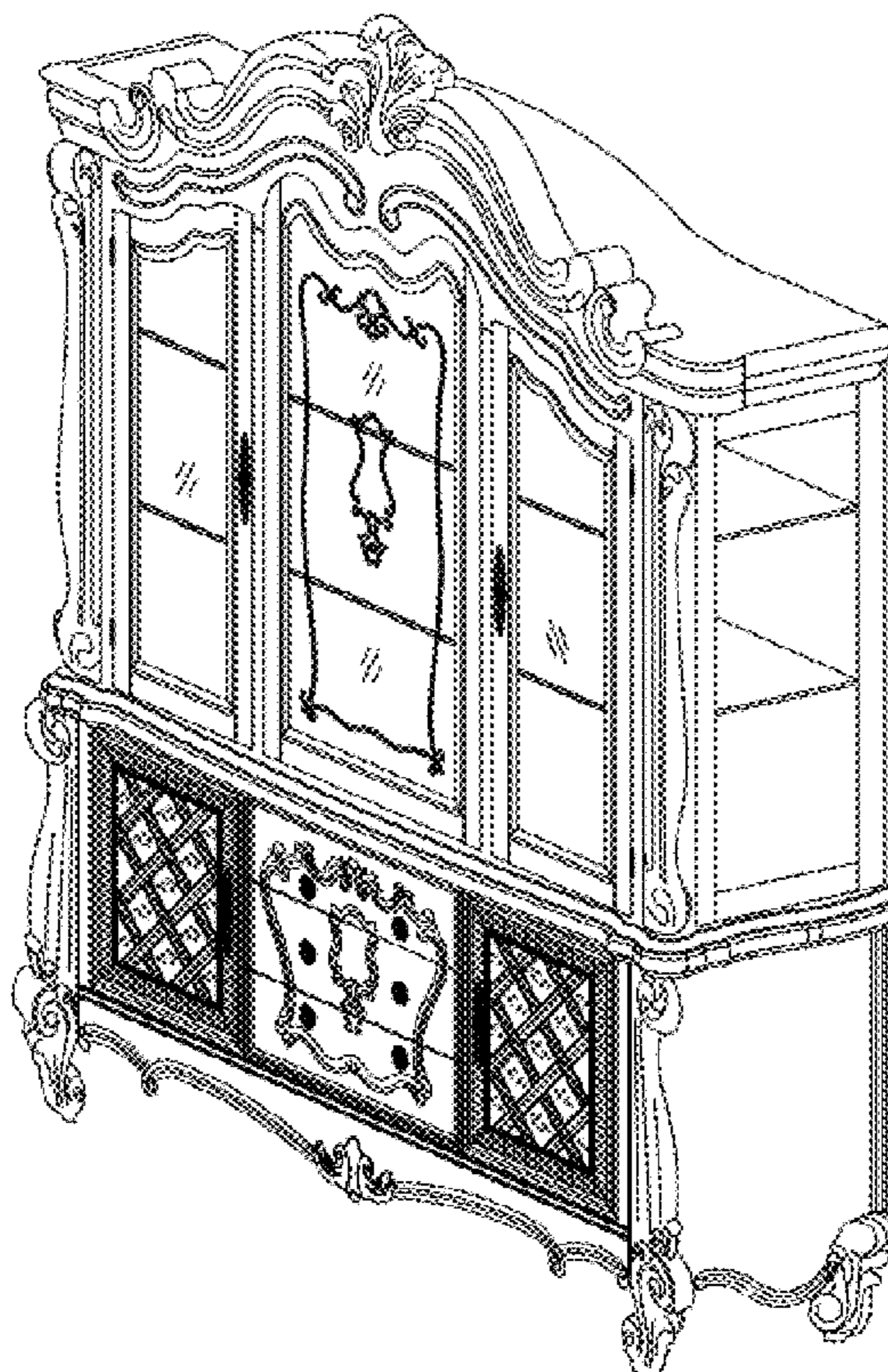
(57) **CLAIM**

The ornamental design for a hutch, as shown and described.

**DESCRIPTION**

FIG. 1 is a right side view of a hutch showing my new design, the left side (not shown) being a mirror image thereof;  
FIG. 2 is a front view thereof;  
FIG. 3 is rear view thereof; and,  
FIG. 4 is a perspective view thereof.

**1 Claim, 1 Drawing Sheet**



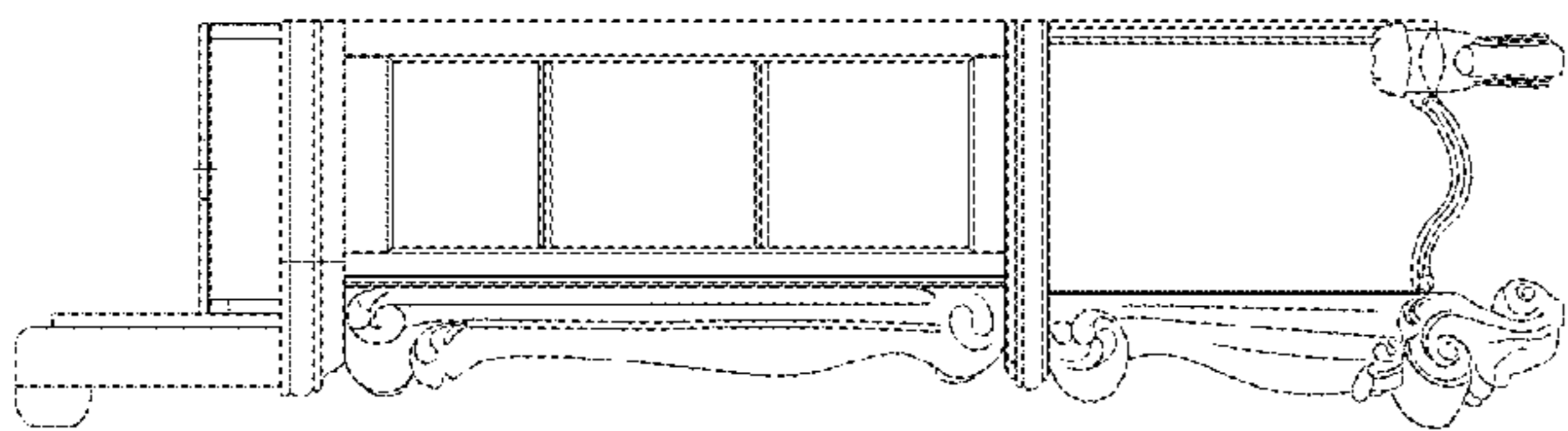


Figure 1

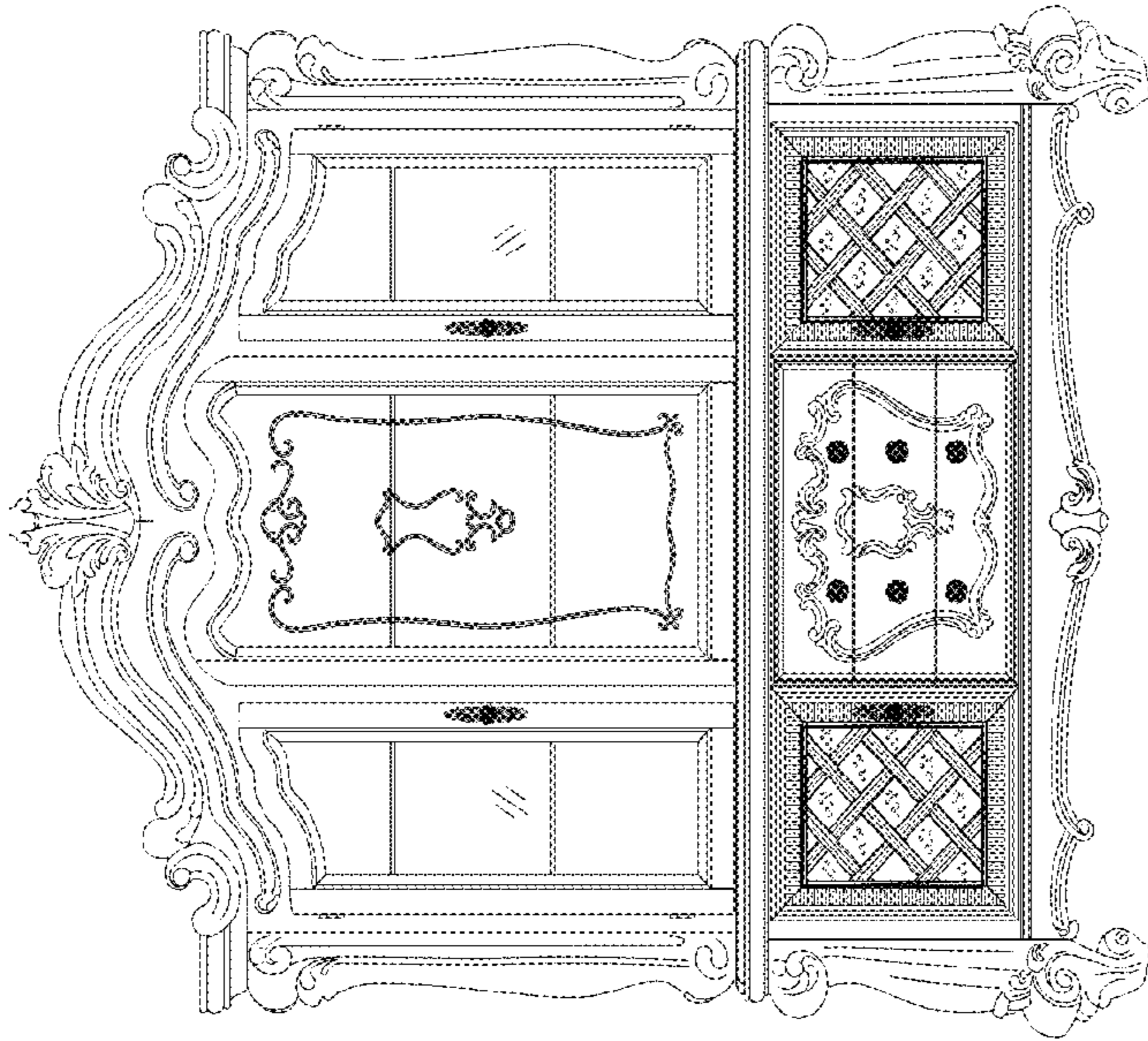


Figure 2

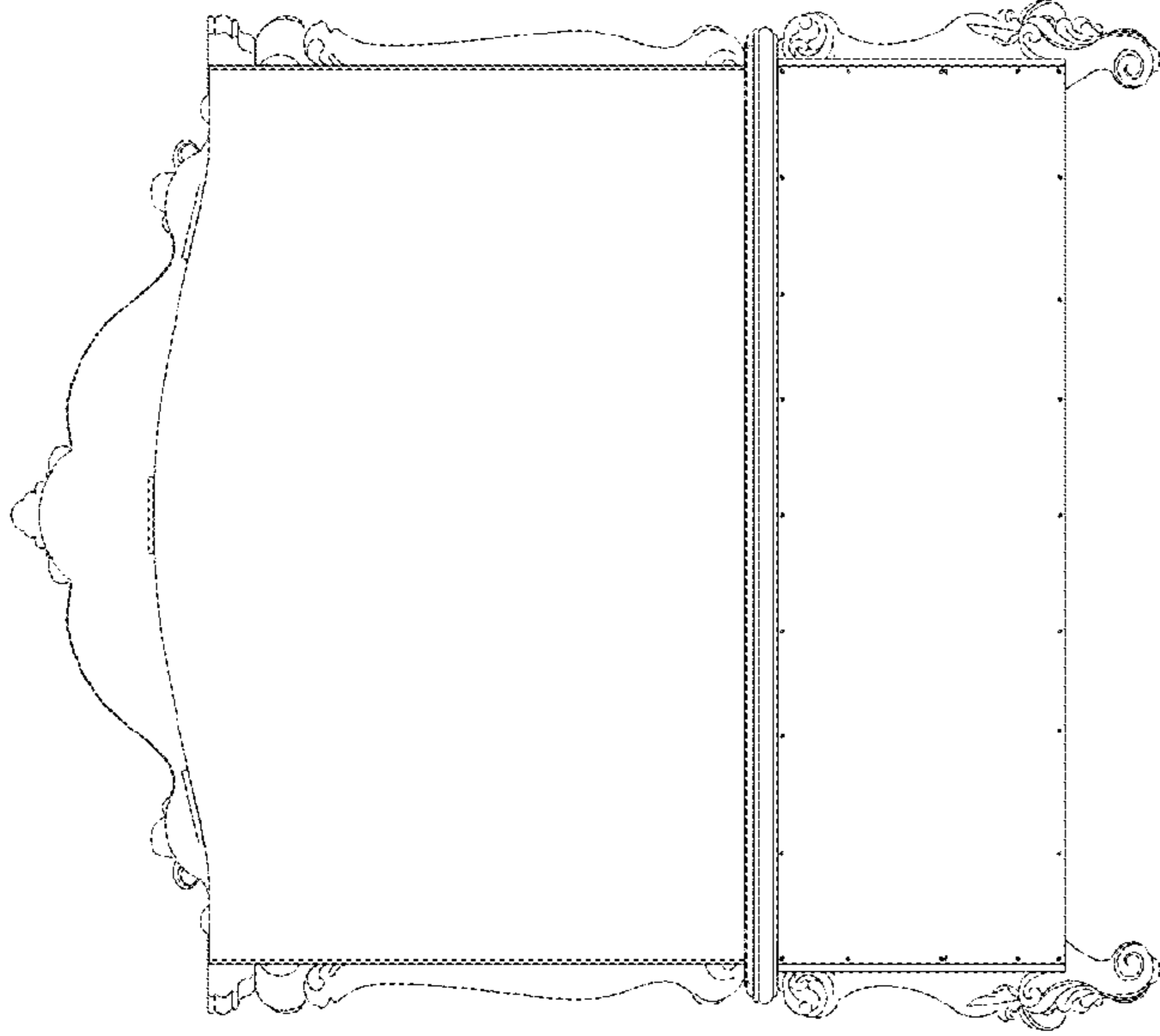


Figure 3

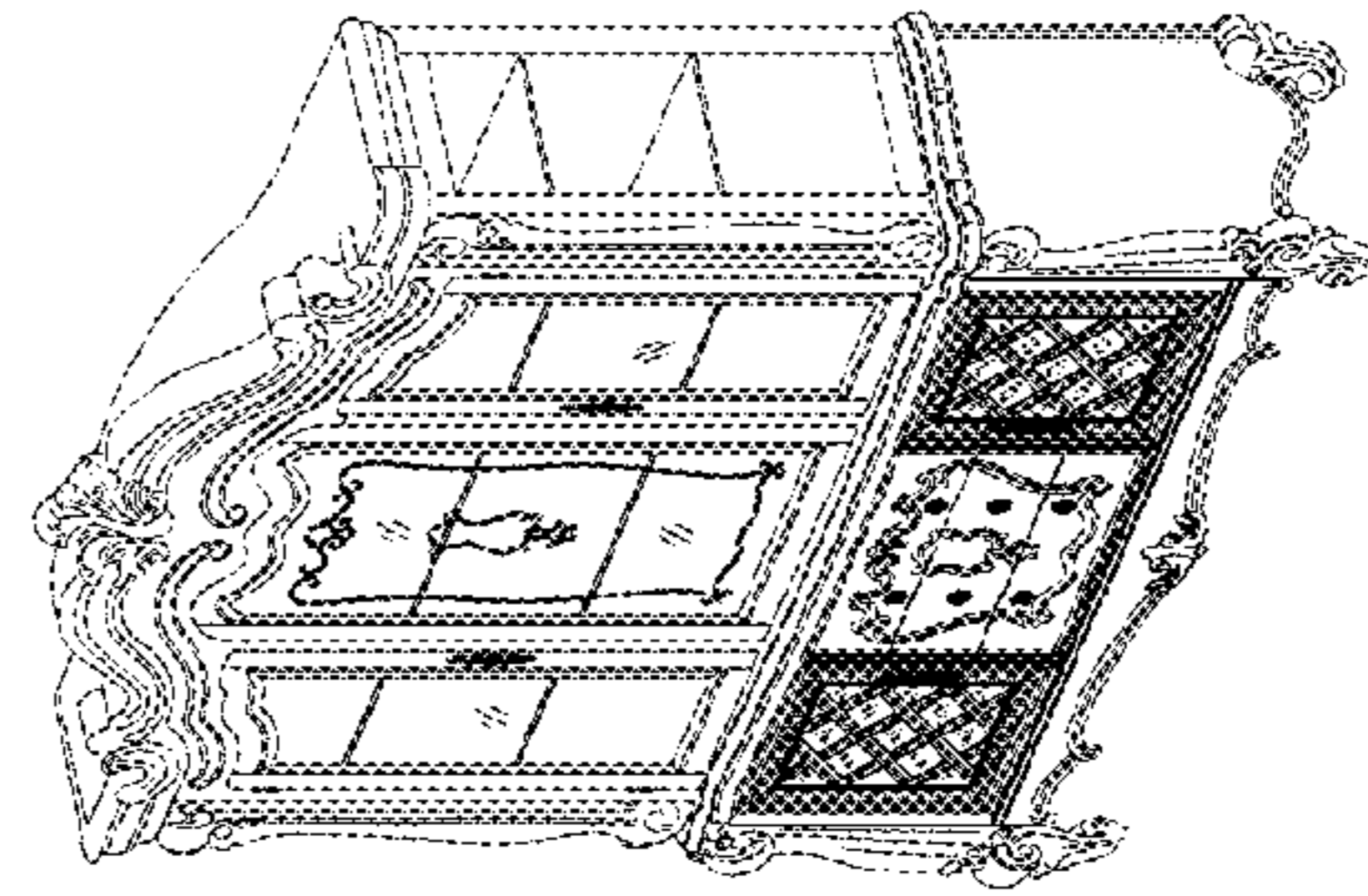


Figure 4