



US00D787857S

(12) **United States Design Patent**  
**MacKenzie**

(10) **Patent No.:** **US D787,857 S**  
(45) **Date of Patent:** **\*\* May 30, 2017**

(54) **WALL PLANTER ARRANGEMENT**

(71) Applicant: **Hortech, Inc.**, Nunica, MI (US)  
(72) Inventor: **David S. MacKenzie**, Nunica, MI (US)  
(73) Assignee: **Hortech, Inc.**, Nunica, MI (US)  
(\*\*) Term: **15 Years**

(21) Appl. No.: **29/545,758**

(22) Filed: **Nov. 16, 2015**

(51) **LOC (10) Cl.** ..... **11-02**

(52) **U.S. Cl.**  
USPC ..... **D6/558**

(58) **Field of Classification Search**

USPC ..... D6/558, 403–405, 556–557; D8/1, 499;  
D11/143–156, 164; D25/100; D26/9–11,  
D26/16, 19; D34/1, 2, 4, 5, 6; D99/5,  
D99/19; 47/17, 32.4, 32.5, 33, 39, 41.01,  
47/41.1, 41.11–41.15, 44, 45, 46, 47, 65,  
47/65.5, 65.9, 66.1, 66.6, 66.7, 67–71, 83  
CPC ..... A01G 9/025; Y02P 60/244; E02D 29/025;  
E02D 29/0216; E02D 29/0266; E04C  
1/395; E04B 2002/025

See application file for complete search history.

(56) **References Cited**

U.S. PATENT DOCUMENTS

D20,523 S \* 2/1891 Balsley ..... D11/152  
1,710,878 A \* 4/1929 Kelso ..... A01G 9/021  
47/65.5  
2,152,648 A \* 4/1939 Bartlett ..... A47G 7/085  
4/251.1  
4,068,761 A \* 1/1978 McCarthy ..... A47G 7/045  
211/134  
D366,855 S \* 2/1996 Deelen ..... D11/152

(Continued)

*Primary Examiner* — Wan Laymon  
*Assistant Examiner* — Mark Booker

(74) *Attorney, Agent, or Firm* — Price Heneveld LLP

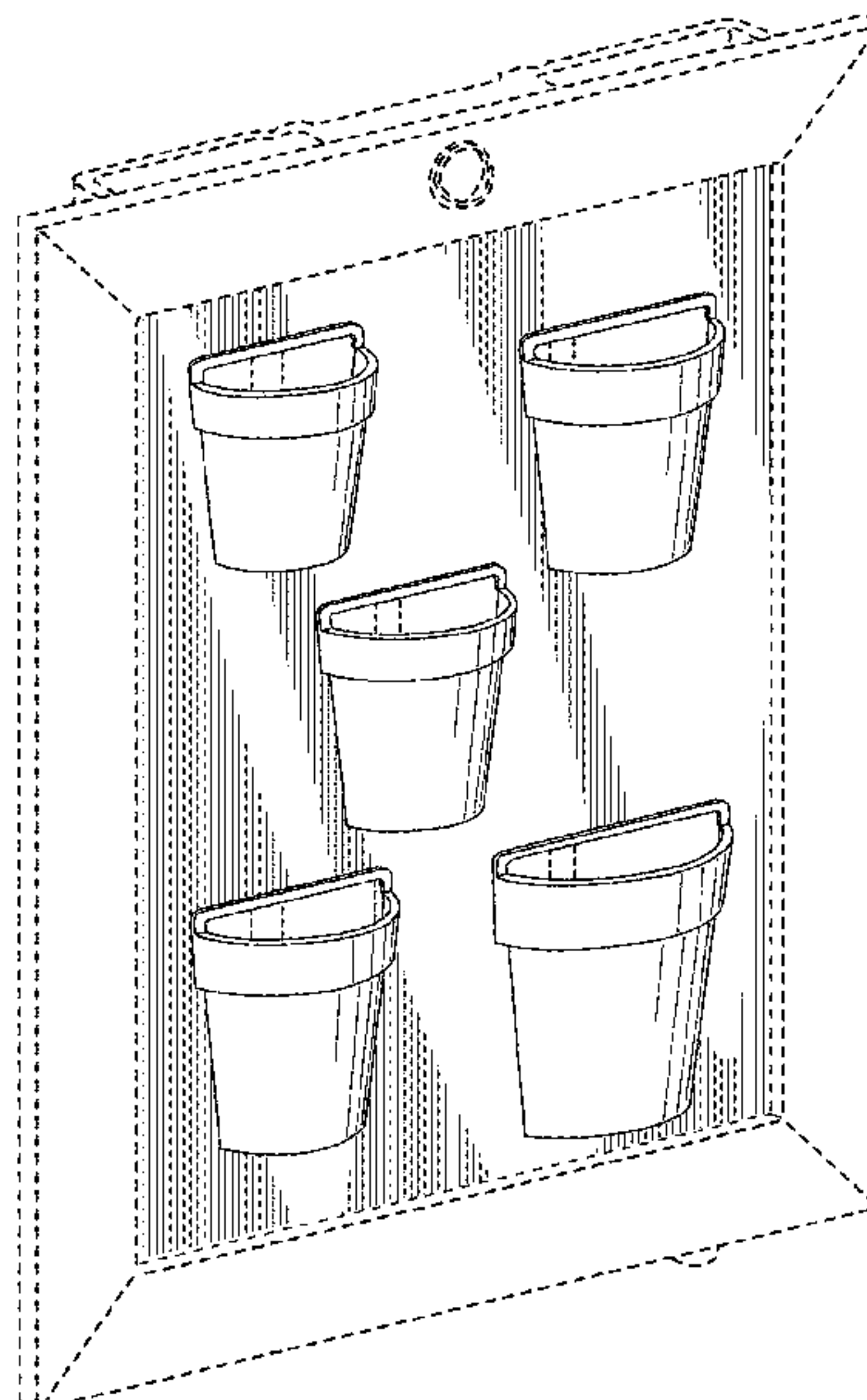
(57) **CLAIM**

The ornamental design for a wall planter arrangement, as shown and described.

**DESCRIPTION**

FIG. 1 is a top perspective view of a first embodiment of a wall planter arrangement embodying the present invention; FIG. 2 is a front elevational view of the first embodiment of the wall planter arrangement; FIG. 3 is a rear elevational view of the first embodiment of the wall planter arrangement; FIG. 4 is a first side elevational view of the first embodiment of the wall planter arrangement; FIG. 5 is a second side elevational view of the first embodiment of the wall planter arrangement; FIG. 6 is a top plan view of the first embodiment of the wall planter arrangement; FIG. 7 is a bottom plan view of the first embodiment of the wall planter arrangement; FIG. 8 is a top perspective view of a second embodiment of a wall planter arrangement embodying the present invention; FIG. 9 is a front elevation view of the second embodiment of the wall planter arrangement; FIG. 10 is a rear elevational view of the second embodiment of the wall planter arrangement; FIG. 11 is a first side elevational view of the second embodiment of the wall planter arrangement; FIG. 12 is a second side elevational view of the second embodiment of the wall planter arrangement; FIG. 13 is a top plan view of the second embodiment of the wall planter arrangement; and, FIG. 14 is a bottom plan view of the second embodiment of the wall planter arrangement.  
The broken lines in the figures represent portions of the wall planter arrangement that form no part of the claimed design.

**1 Claim, 10 Drawing Sheets**



(56)

**References Cited**

U.S. PATENT DOCUMENTS

|                   |         |                |                        |
|-------------------|---------|----------------|------------------------|
| D579,374 S *      | 10/2008 | Boyette .....  | D6/556                 |
| D587,166 S *      | 2/2009  | White .....    | D11/152                |
| 8,371,473 B2 *    | 2/2013  | Scribner ..... | A01G 9/022<br>220/23.2 |
| D720,555 S *      | 1/2015  | Nelson .....   | D6/558                 |
| 2011/0084087 A1 * | 4/2011  | Scribner ..... | A01G 9/022<br>220/751  |

\* cited by examiner

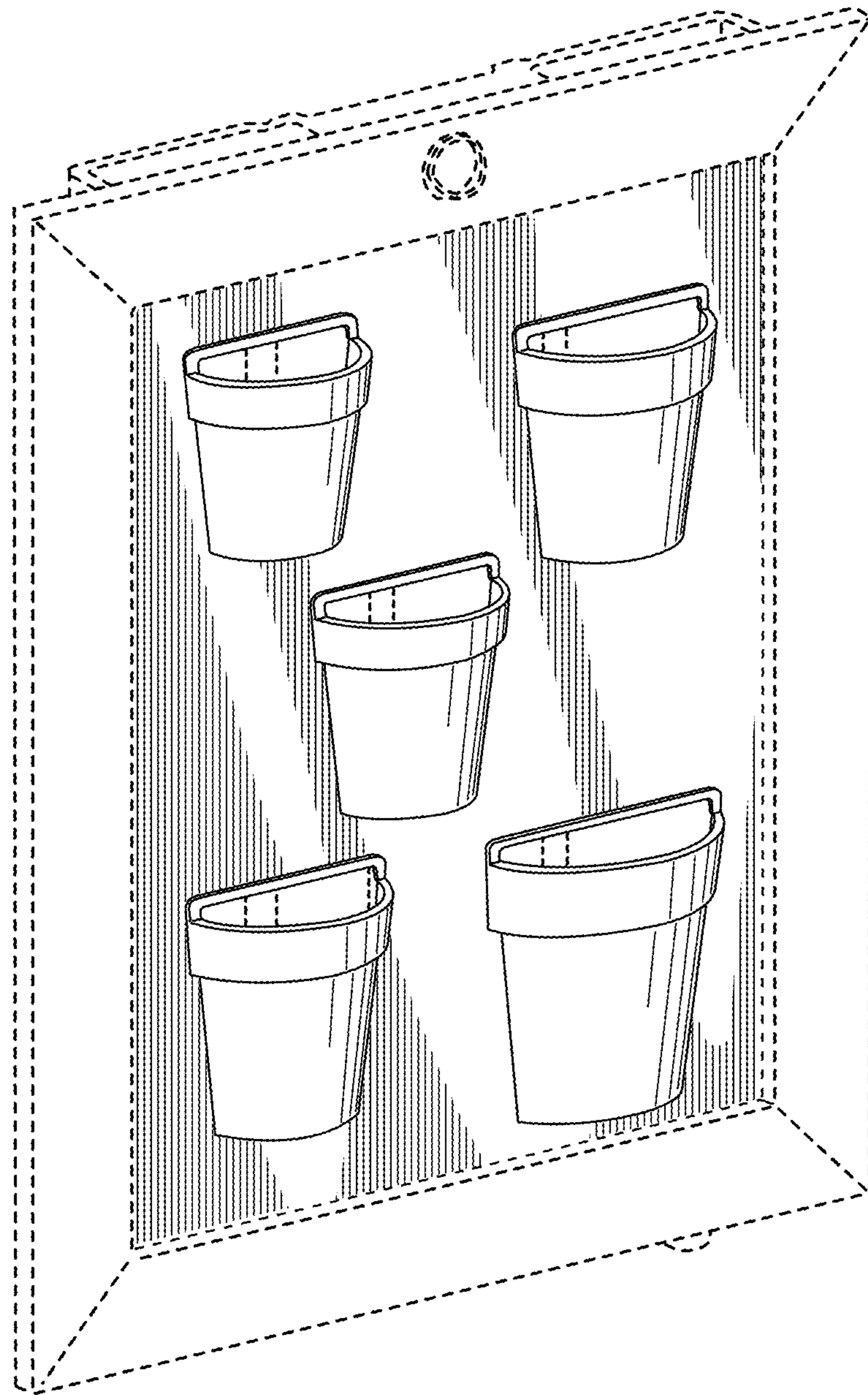


FIG. 1

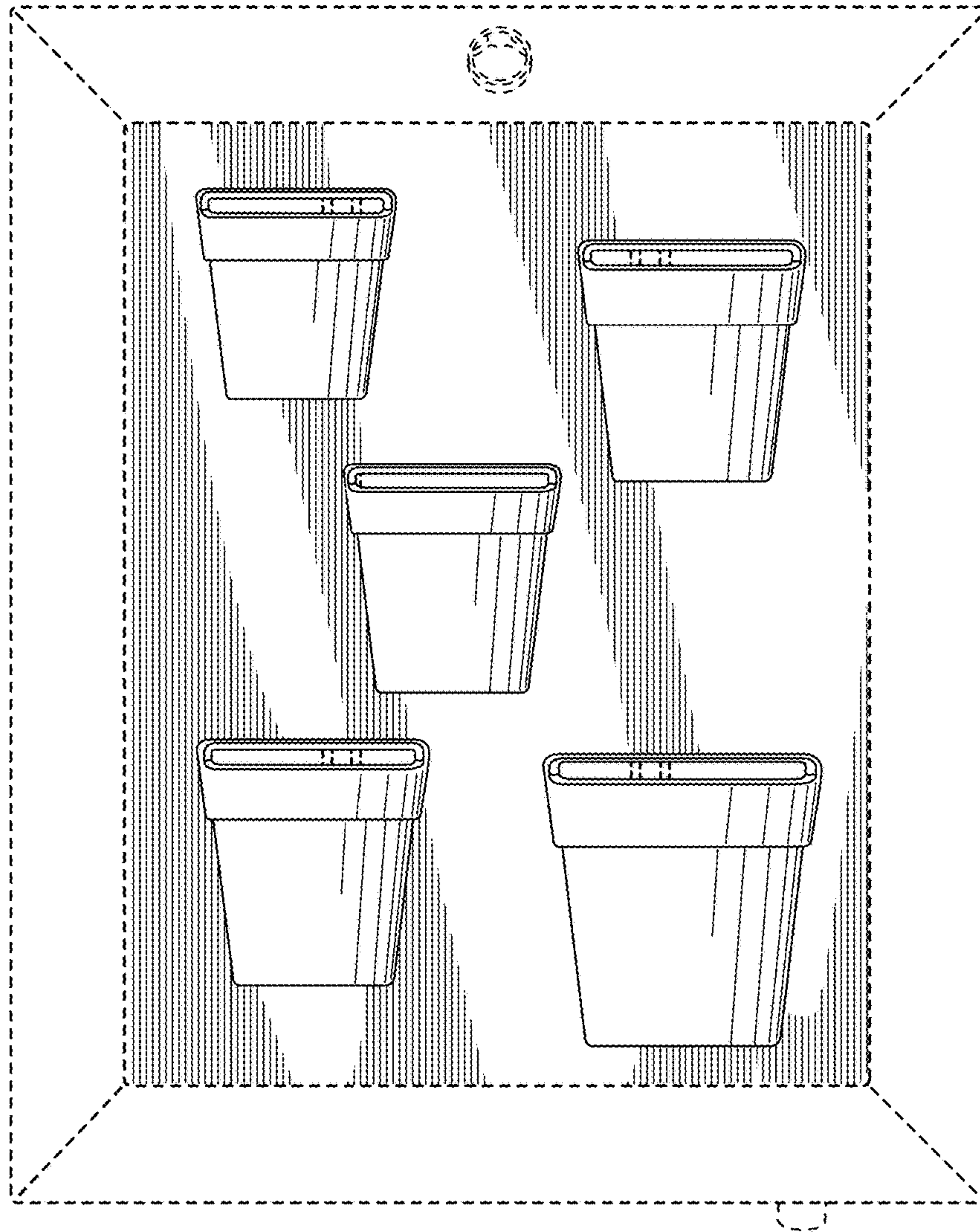


FIG. 2



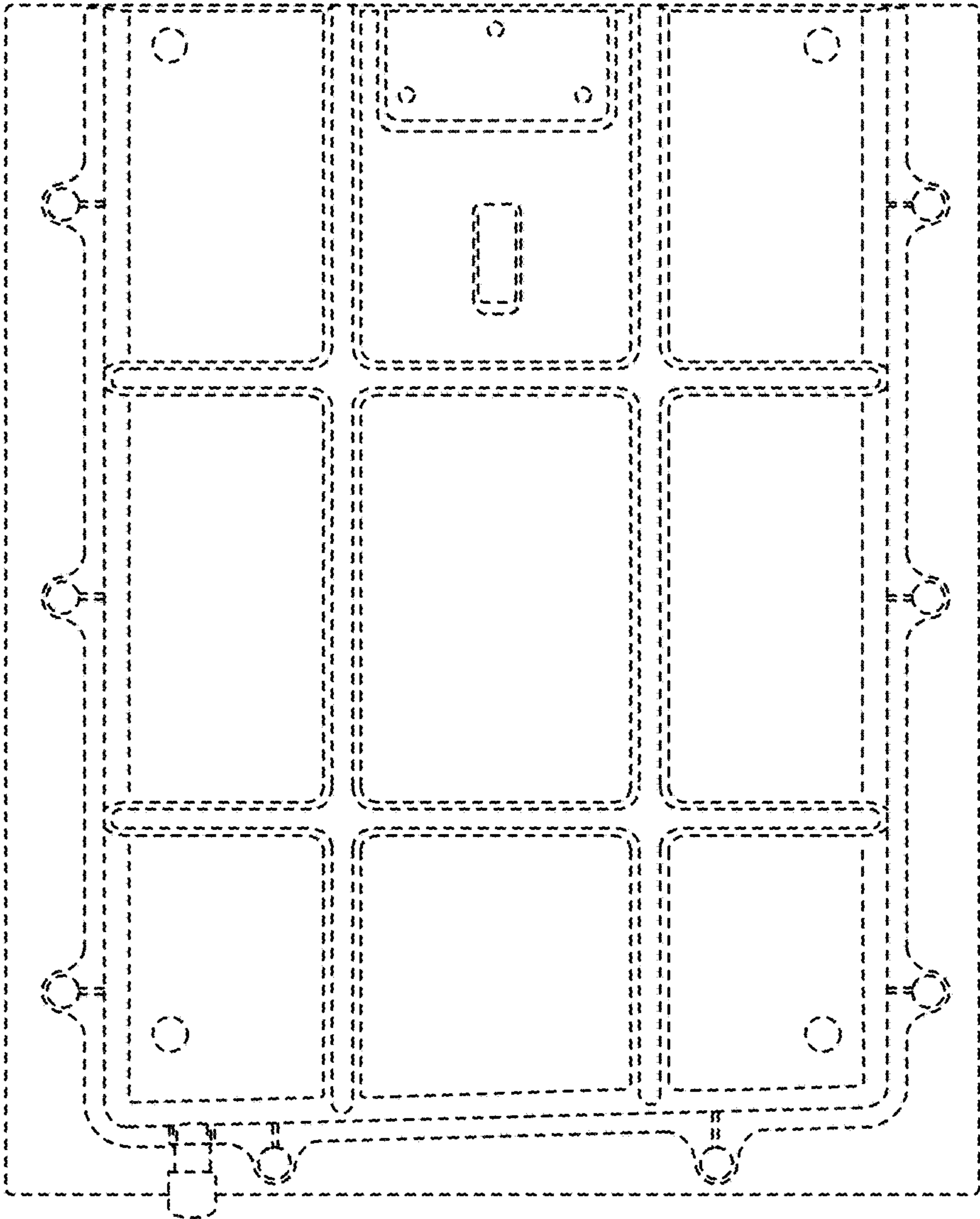


FIG. 3

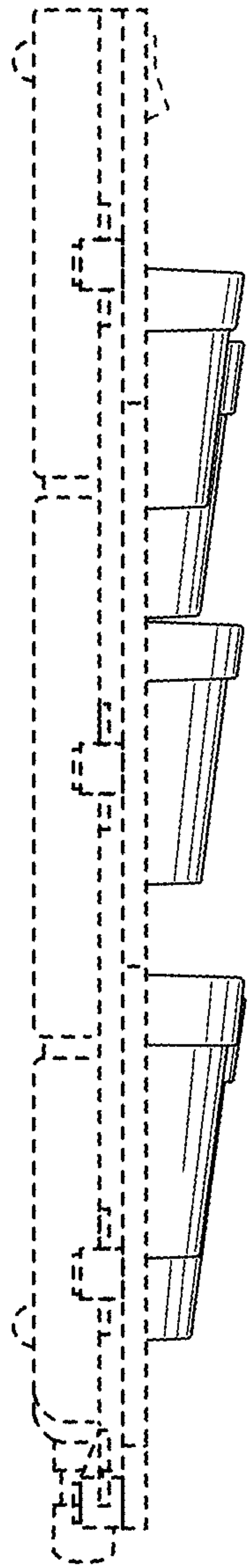


FIG. 4

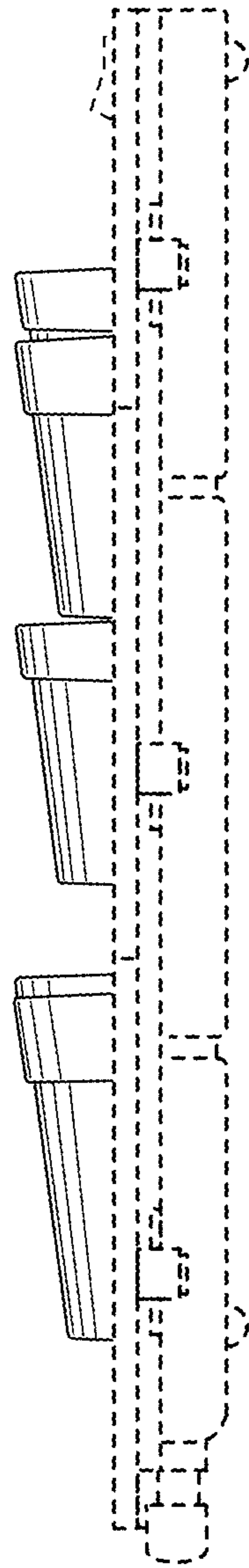


FIG. 5

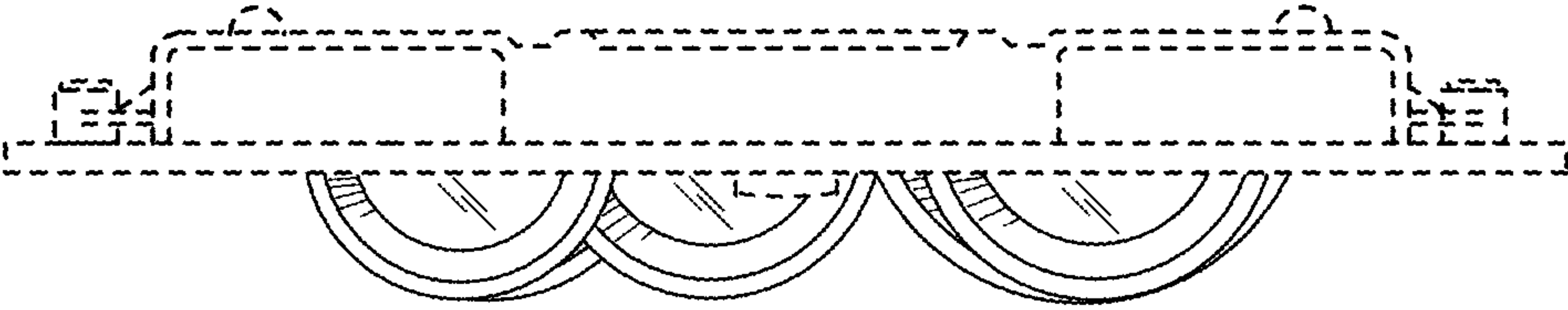


FIG. 6

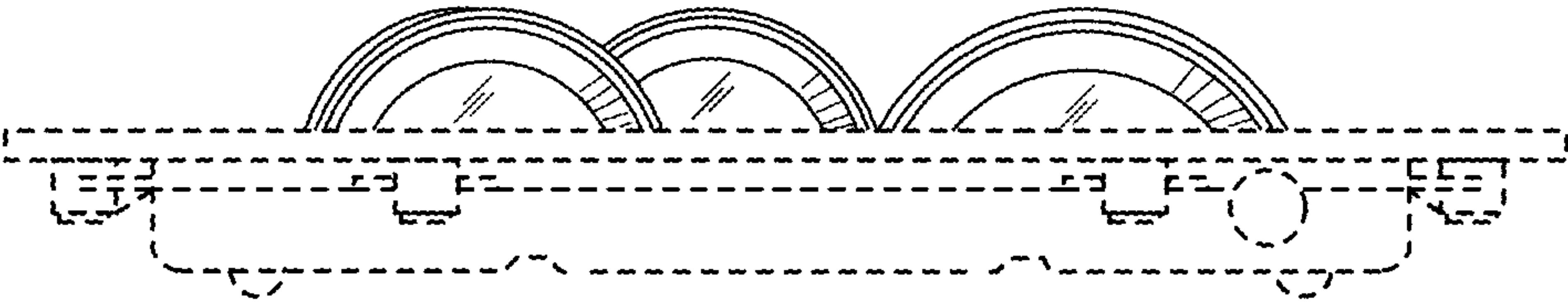


FIG. 7

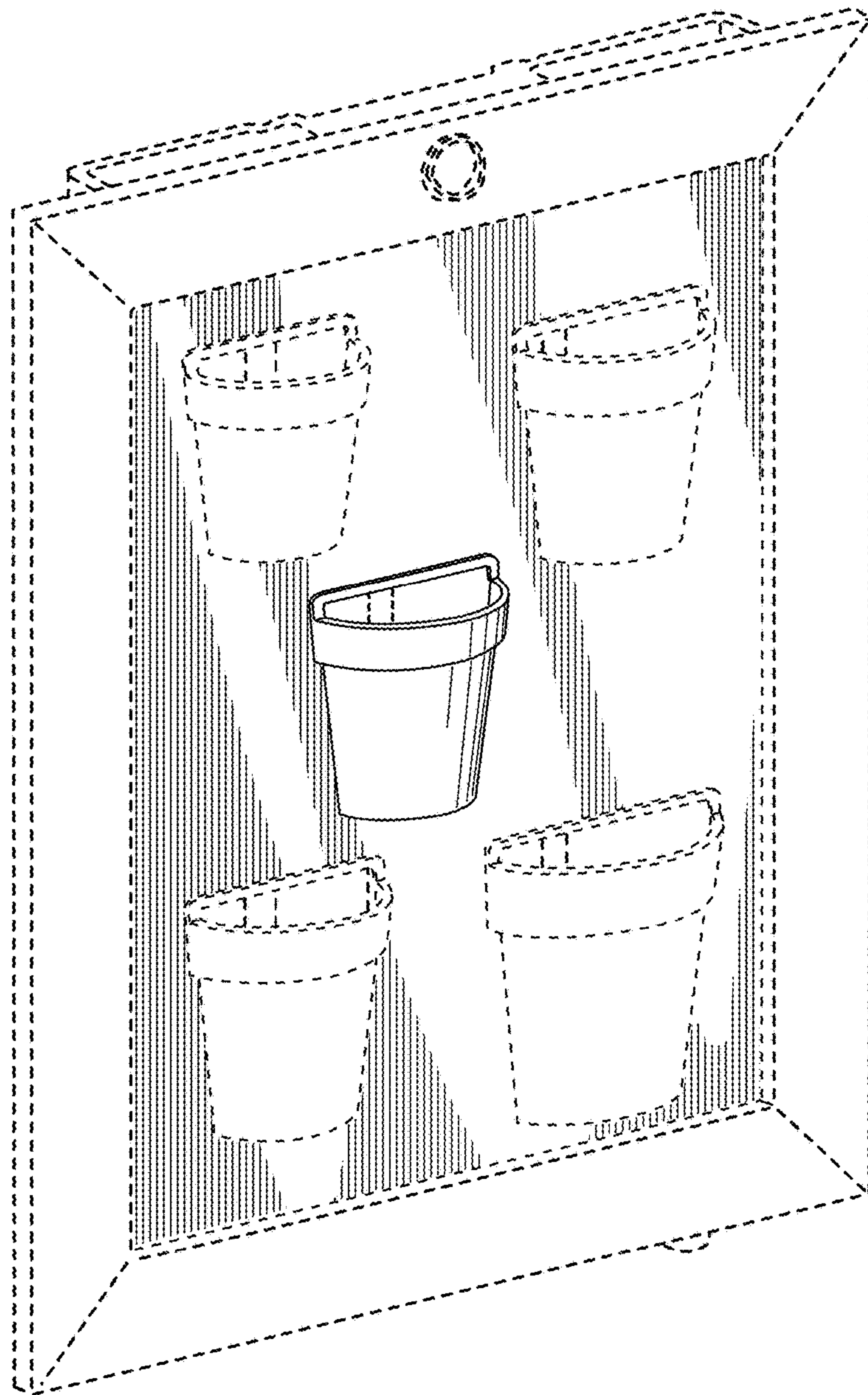


FIG. 8



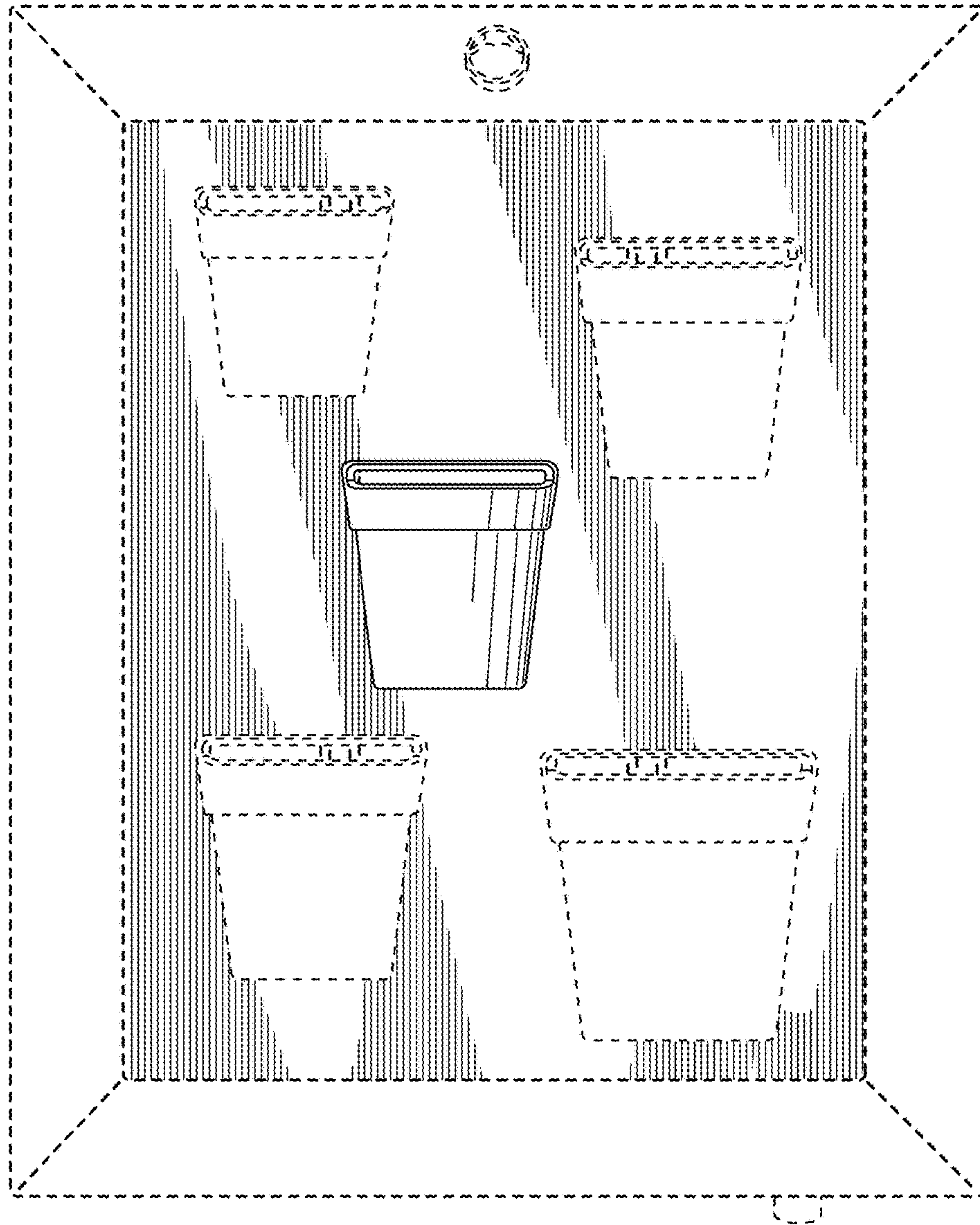


FIG. 9

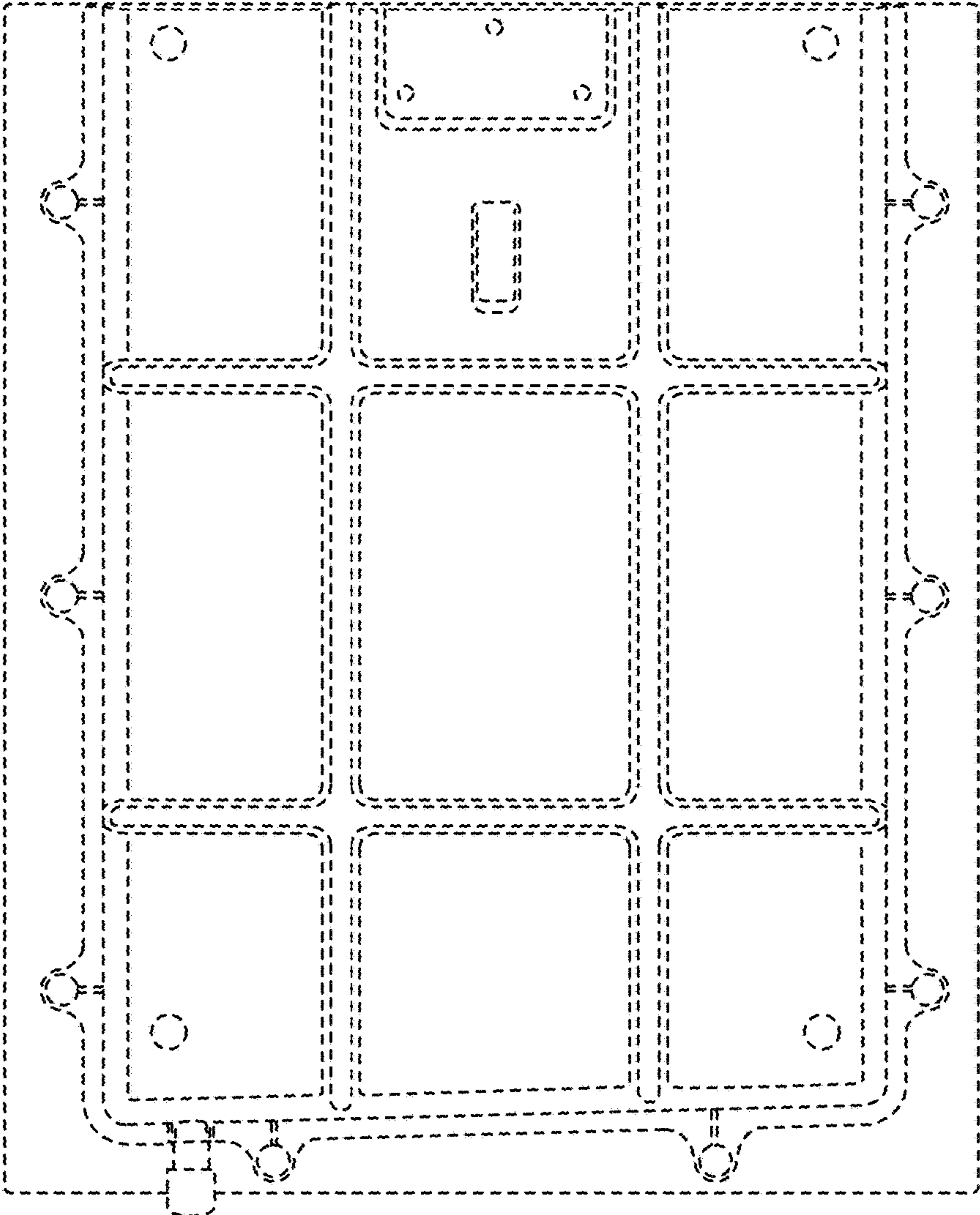


FIG. 10

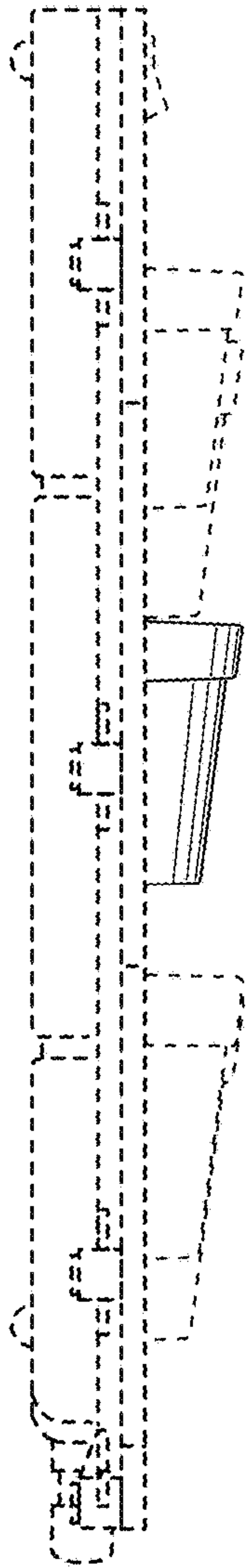


FIG. 11

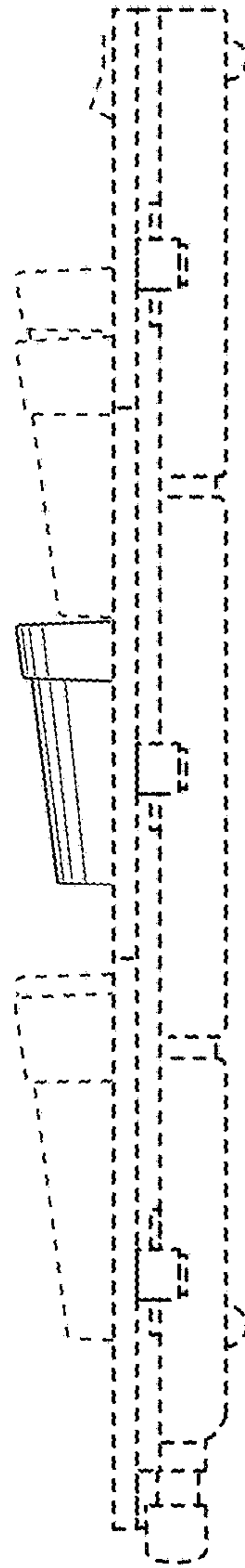


FIG. 12

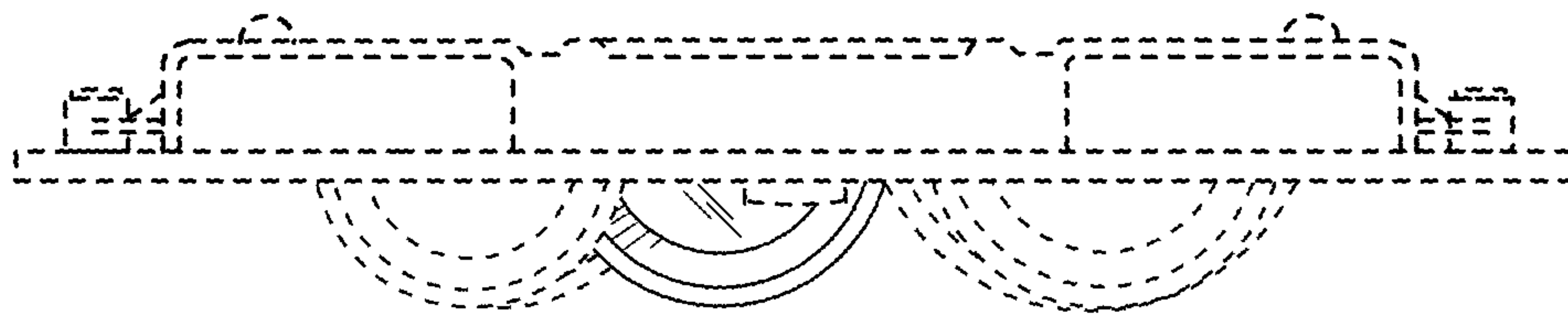


FIG. 13

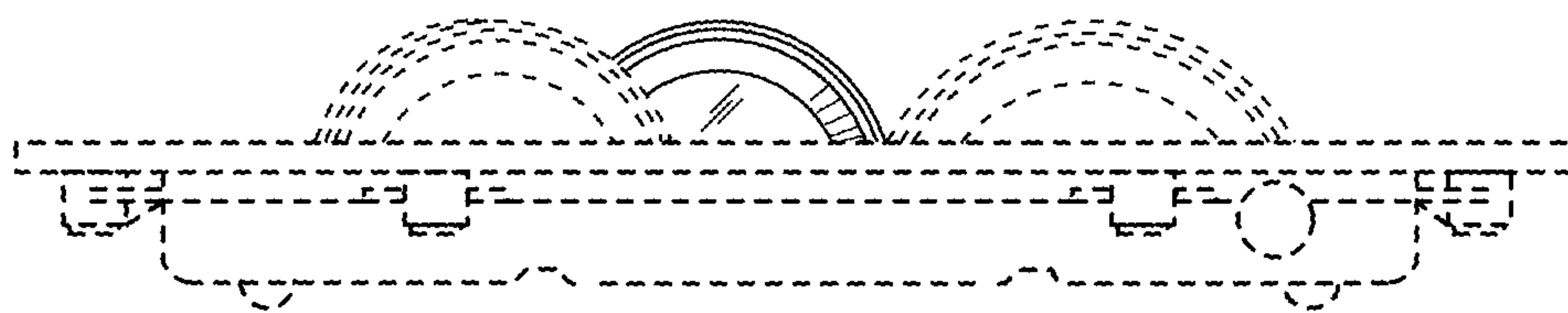


FIG. 14