



US00D787856S

(12) **United States Design Patent** (10) **Patent No.:** **US D787,856 S**
Okuno-Jones et al. (45) **Date of Patent:** **** May 30, 2017**

(54) **WALL MOUNTED DUAL DISPENSER**
(71) Applicants: **Susan K. Okuno-Jones**, Buffalo Grove, IL (US); **Jon M. Jones**, Buffalo Grove, IL (US)
(72) Inventors: **Susan K. Okuno-Jones**, Buffalo Grove, IL (US); **Jon M. Jones**, Buffalo Grove, IL (US)
(**) Term: **15 Years**
(21) Appl. No.: **29/547,924**
(22) Filed: **Dec. 9, 2015**
(51) **LOC (10) Cl.** **23-02**
(52) **U.S. Cl.**
USPC **D6/545**
(58) **Field of Classification Search**
USPC D6/542-545; 221/208, 282, 283; 222/105, 173, 180, 181.1, 181.2, 181.3
CPC . A47K 5/1217; A47K 5/12; A47K 2005/1218
See application file for complete search history.

D481,896 S * 11/2003 Shaanan D6/545
D639,591 S * 6/2011 Wallace D6/545
D661,933 S * 6/2012 DelGigante D6/542
D687,653 S * 8/2013 Giovannoni D6/545
D767,301 S * 9/2016 Indruk D6/545
2010/0224651 A1* 9/2010 Zlatic A47K 5/122
222/182

* cited by examiner

Primary Examiner — David Muller

Assistant Examiner — Nathan Johnston

(74) *Attorney, Agent, or Firm* — Dale J. Ream

(57) **CLAIM**

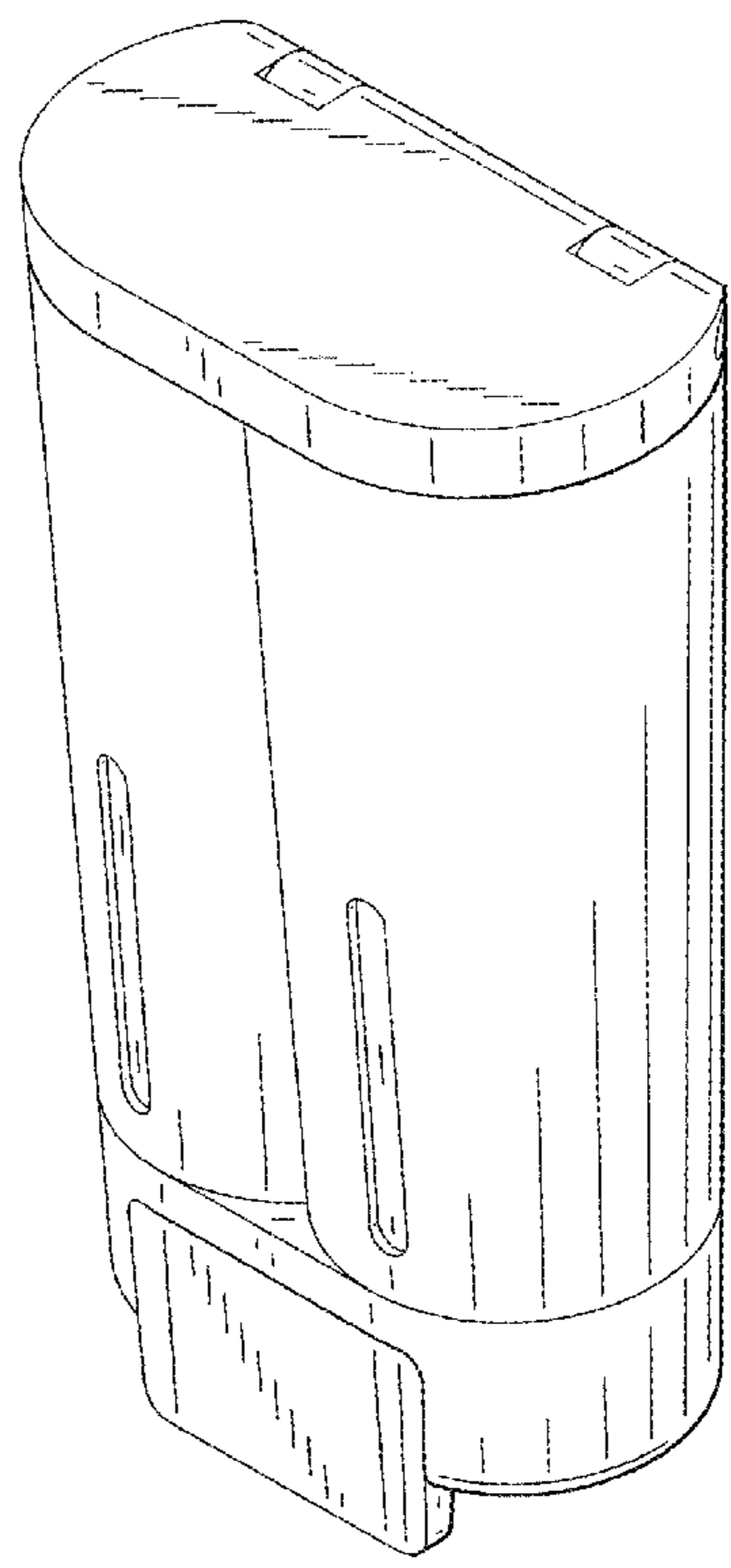
The ornamental design for a wall mounted dual dispenser, as shown and described.

DESCRIPTION

FIG. 1 is a perspective view of a wall mounted dual dispenser showing our new design;
FIG. 2 is another perspective view of FIG. 1 showing the cover in an open configuration;
FIG. 3 is a front elevation view thereof;
FIG. 4 is a back elevation view thereof;
FIG. 5 is a right side elevation view thereof;
FIG. 6 is a left side elevation view thereof;
FIG. 7 is a top plan view thereof; and,
FIG. 8 is a bottom plan view thereof.
The broken line showing of wall mounted dual dispenser is included for the purpose of illustrating portions of the "article" and forms no part of the claimed design.

1 Claim, 6 Drawing Sheets

(56) **References Cited**
U.S. PATENT DOCUMENTS
D276,294 S * 11/1984 Banks D6/545
D358,288 S * 5/1995 Daansen D6/545
D378,035 S * 2/1997 Ophardt D6/545
D395,775 S * 7/1998 Lin D6/545
D426,094 S * 6/2000 Carlson D6/545
D431,404 S * 10/2000 Brazis D6/545
D480,247 S * 10/2003 Ciavarella D6/545



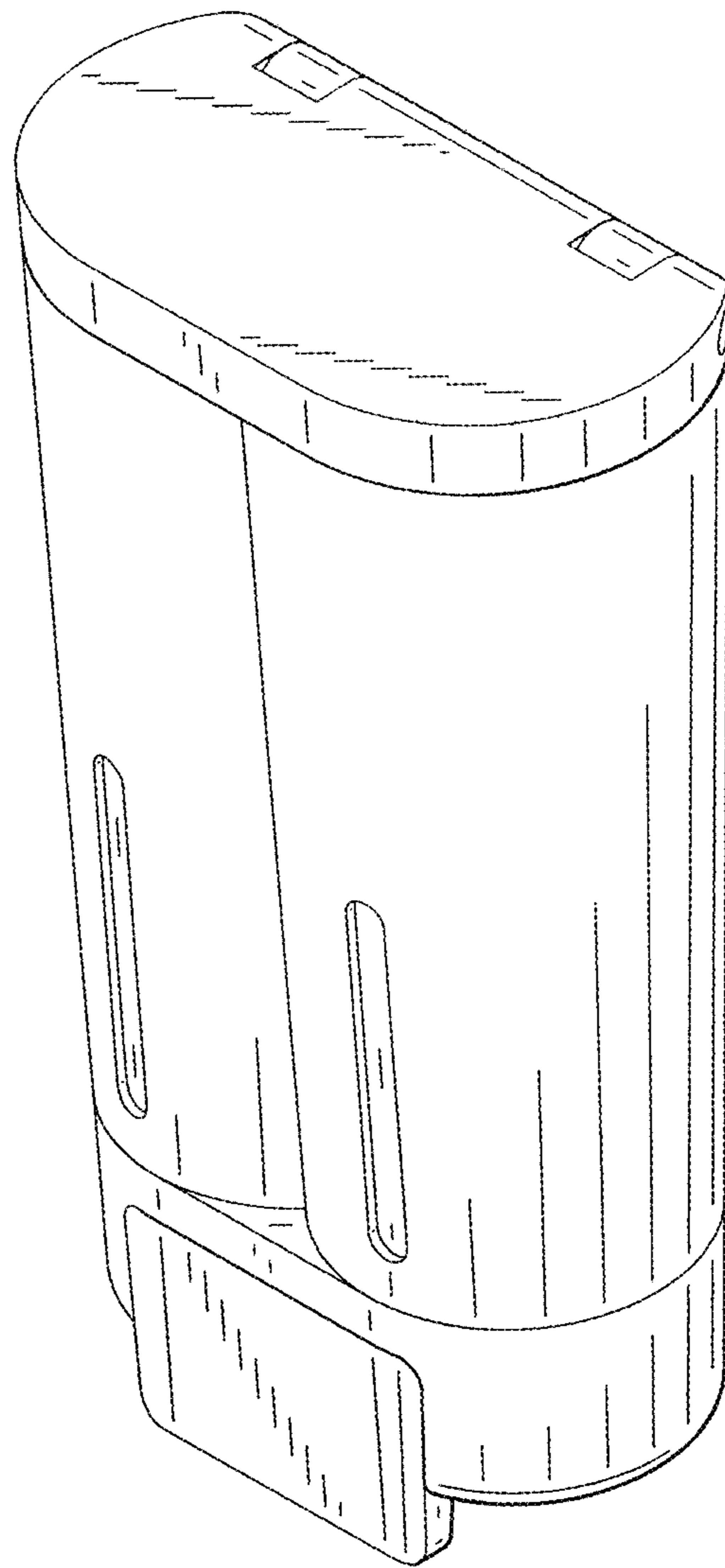


FIG. 1

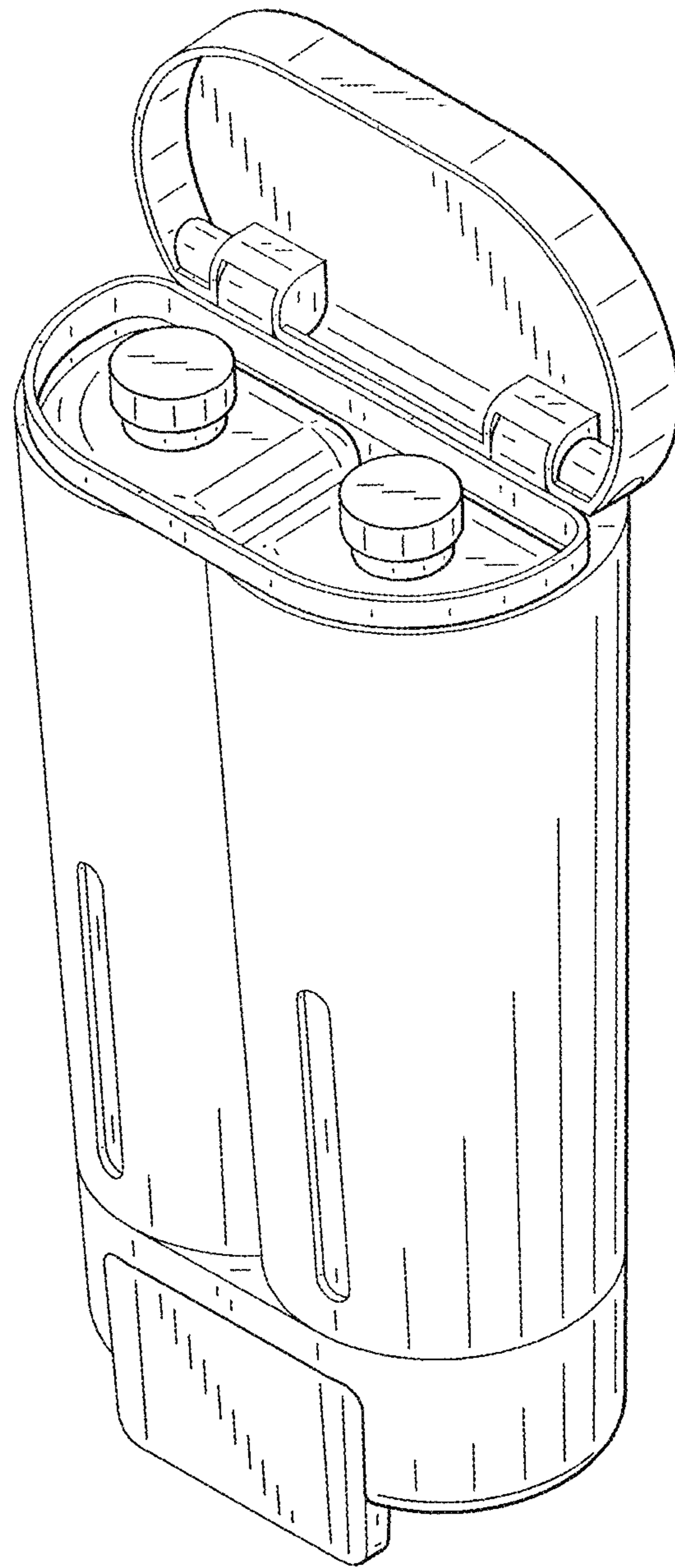


FIG. 2

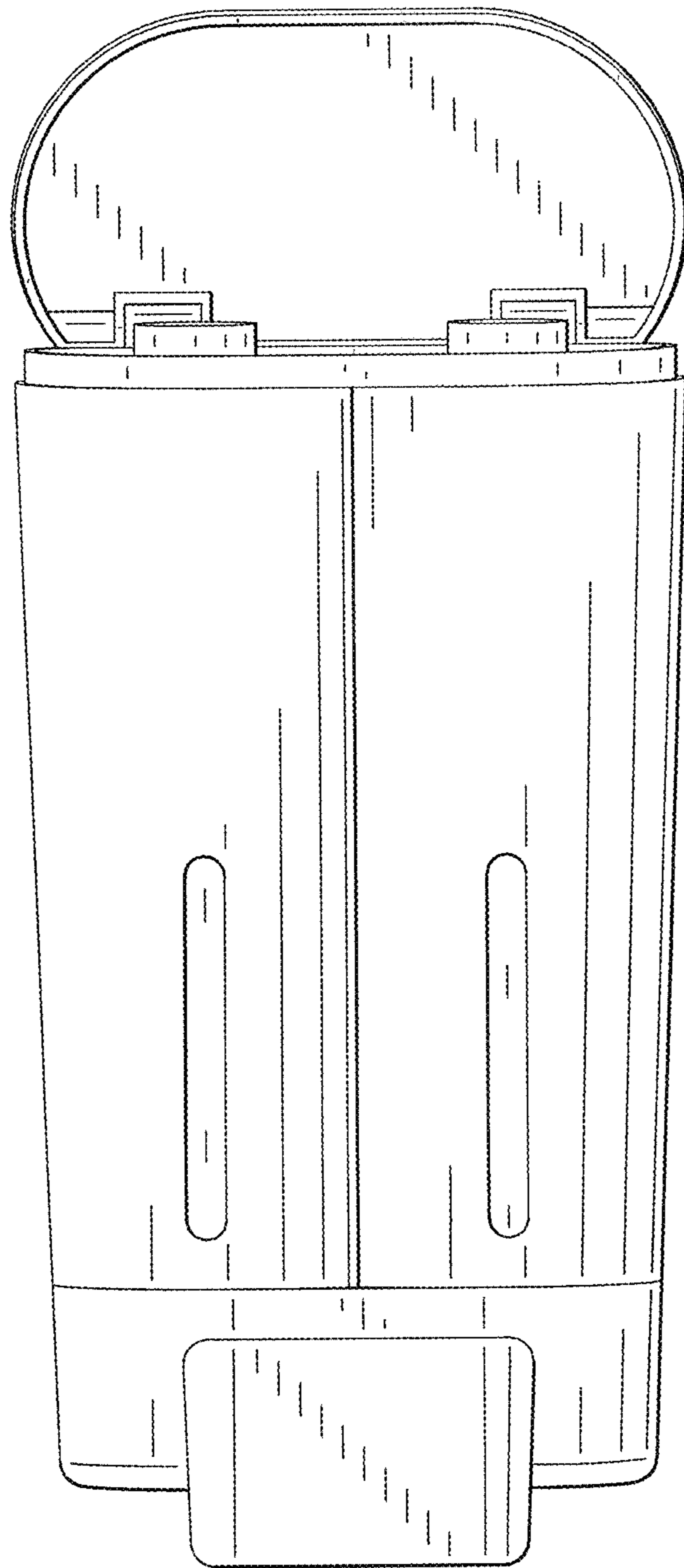


FIG. 3

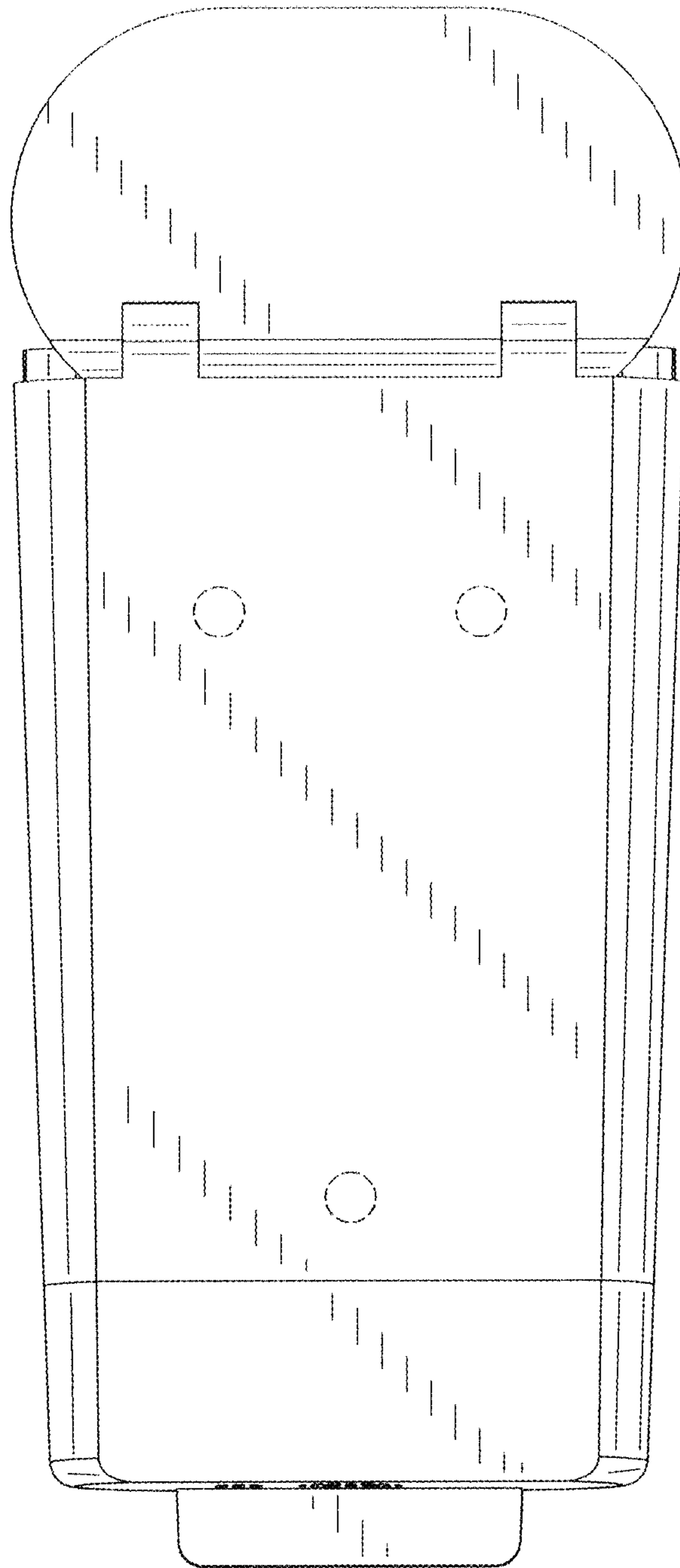


FIG. 4

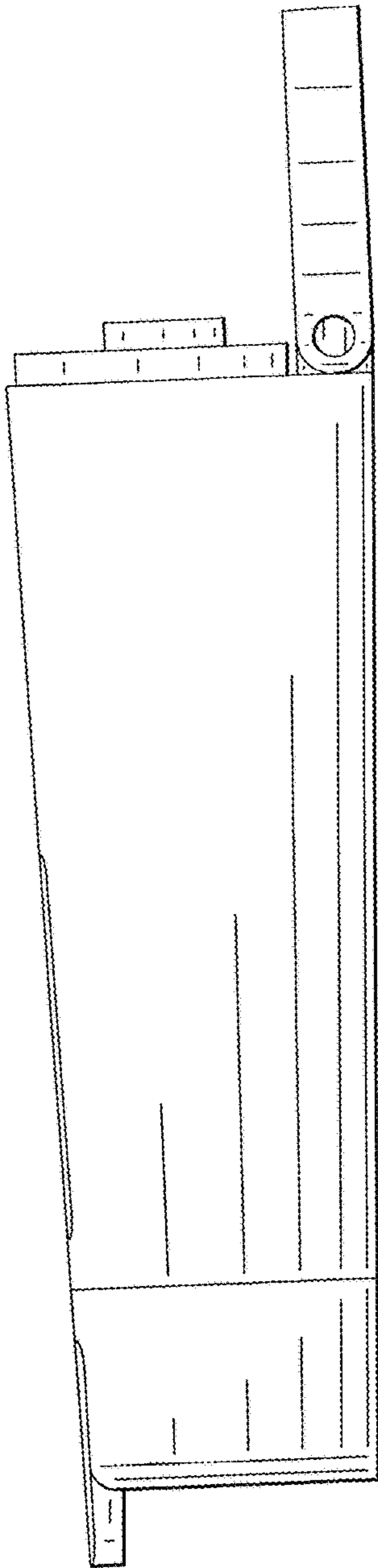


FIG. 5

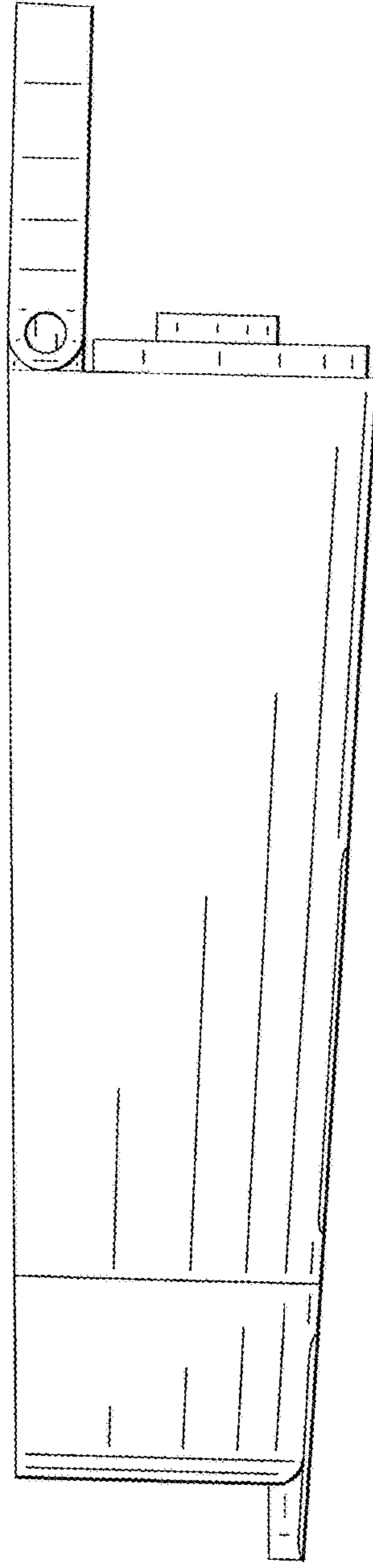


FIG. 6

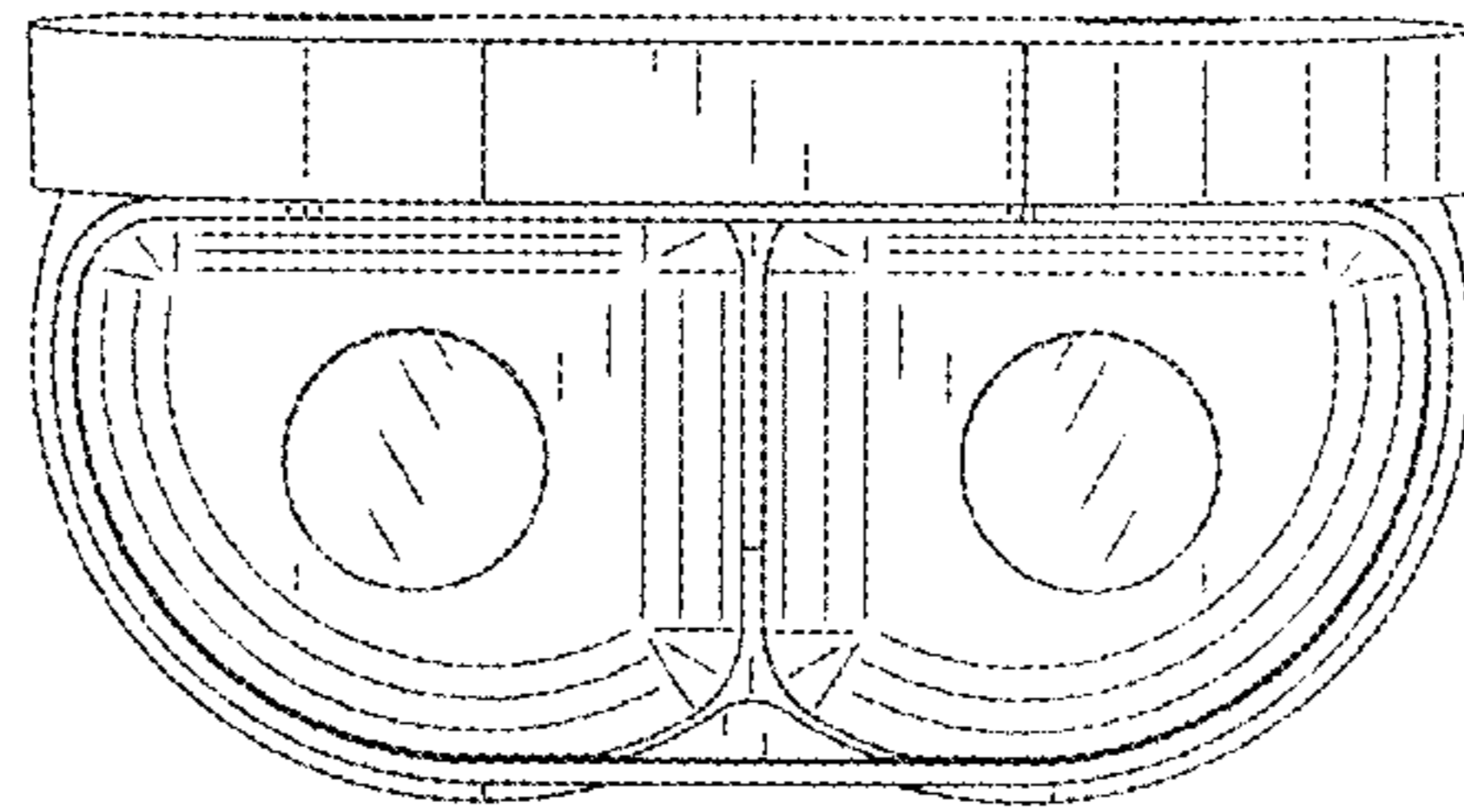


FIG. 7

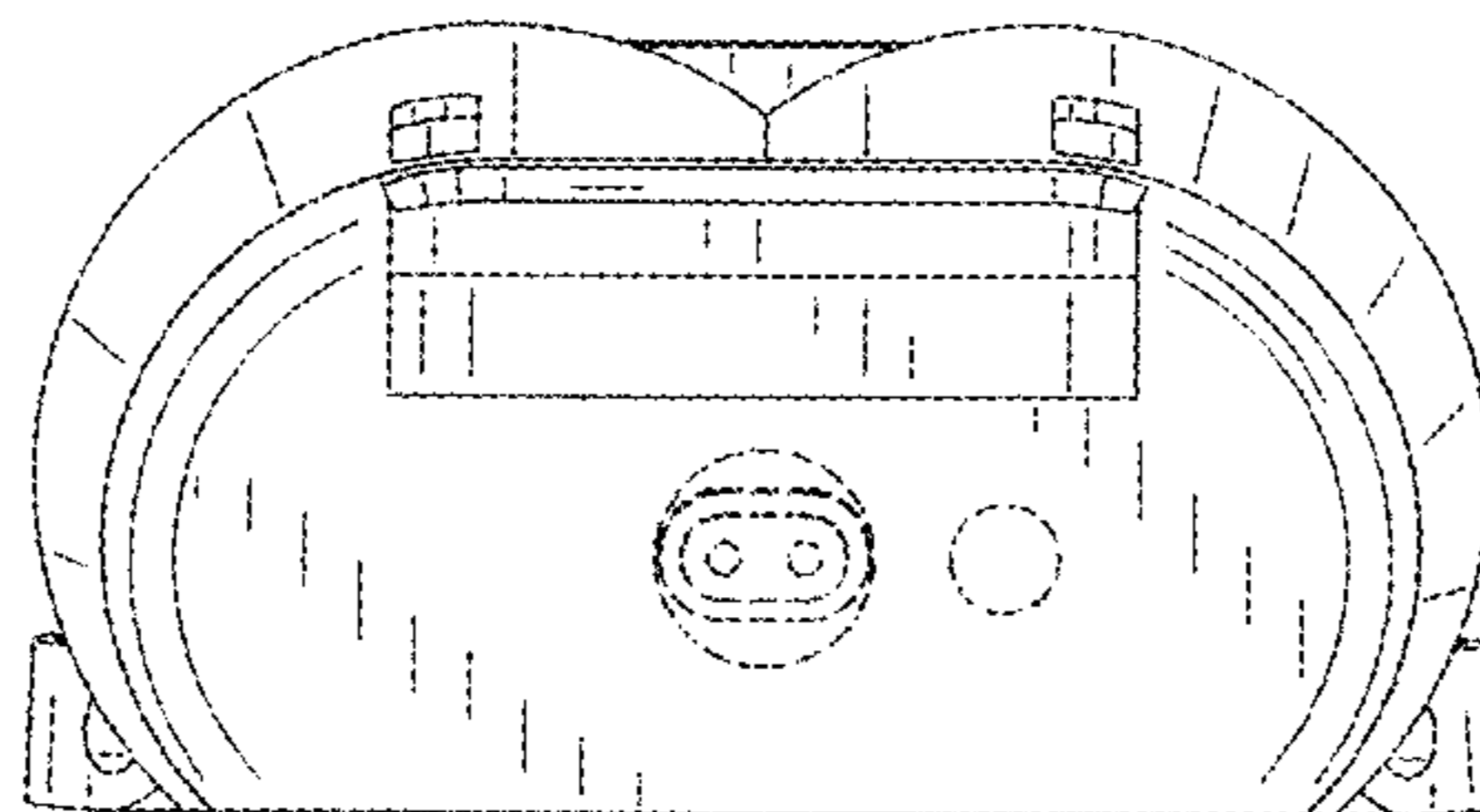


FIG. 8