



US00D787855S

(12) **United States Design Patent** (10) **Patent No.:** **US D787,855 S**
Bunch et al. (45) **Date of Patent:** **** May 30, 2017**

- (54) **TOOTHBRUSH HOLDER**
- (71) Applicant: **Xport Five, LLC**, Paia, HI (US)
- (72) Inventors: **Elizabeth A. Bunch**, Paia, HI (US);
Collin Kobayashi, Honolulu, HI (US)
- (73) Assignee: **Xport Five, LLC**, Paia, HI (US)
- (**) Term: **14 Years**
- (21) Appl. No.: **29/515,577**
- (22) Filed: **Jan. 23, 2015**
- (51) **LOC (10) Cl.** **23-02**
- (52) **U.S. Cl.**
USPC **D6/543**
- (58) **Field of Classification Search**
USPC D6/534, 526, 527, 528, 524; 206/208,
206/228, 209, 209.1, 361, 362, 362.1,
206/362.2, 362.3; 211/13.1, 66, 70.6,
211/86.01, 87.01; D1/113; D12/82, 86,
D12/88, 89, 90, 91, 92, 93, 95; 446/431,
446/444-456, 465, 468, 470, 471;
254/423; D21/424, 433, 434
CPC A47K 1/09; A47K 5/18; A45D 44/18
See application file for complete search history.

(56) **References Cited**

U.S. PATENT DOCUMENTS

- D263,325 S * 3/1982 Kanaoki D21/555
4,467,556 A * 8/1984 Iwao A63H 33/003
446/230
- D445,844 S * 7/2001 Tse D21/554
- D466,449 S * 12/2002 Buring D12/93
- D467,841 S * 12/2002 Klein D12/95
- D491,844 S * 6/2004 Poulin D12/93
- 6,857,930 B1 * 2/2005 Lawley, Jr. A63H 17/006
206/427
- 7,601,047 B2 * 10/2009 Bruder A63H 17/06
241/260.1
- D610,040 S * 2/2010 Thompson D12/91

- D656,866 S * 4/2012 Wise D12/93
- 2005/0266769 A1 * 12/2005 Edwards A63H 17/06
446/454
- 2015/0093961 A1 * 4/2015 vom Scheidt, Jr. A63H 17/00
446/454
- 2015/0367242 A1 * 12/2015 Calello A63H 17/26
446/465

OTHER PUBLICATIONS

SmileyRides.com website, under development section tractor trailer; Jun. 6, 2016, <http://www.smileyrides.com/#!products/cgmq>.*

* cited by examiner

Primary Examiner — David Muller

Assistant Examiner — Nathan Johnston

(74) *Attorney, Agent, or Firm* — K. David Crockett, Esq.;
Paul J. Backofen, Esq.; Crockett & Crockett, PC

(57) **CLAIM**

The ornamental design for a toothbrush holder, as shown and described.

DESCRIPTION

FIG. 1 is a left-front perspective view of a toothbrush holder showing our new design.

FIG. 2 is a left-rear perspective view thereof.

FIG. 3 is a left side elevation view thereof.

FIG. 4 is a right side elevation view thereof.

FIG. 5 is a front elevation view thereof.

FIG. 6 is a rear elevation view thereof.

FIG. 7 is a top plan view thereof.

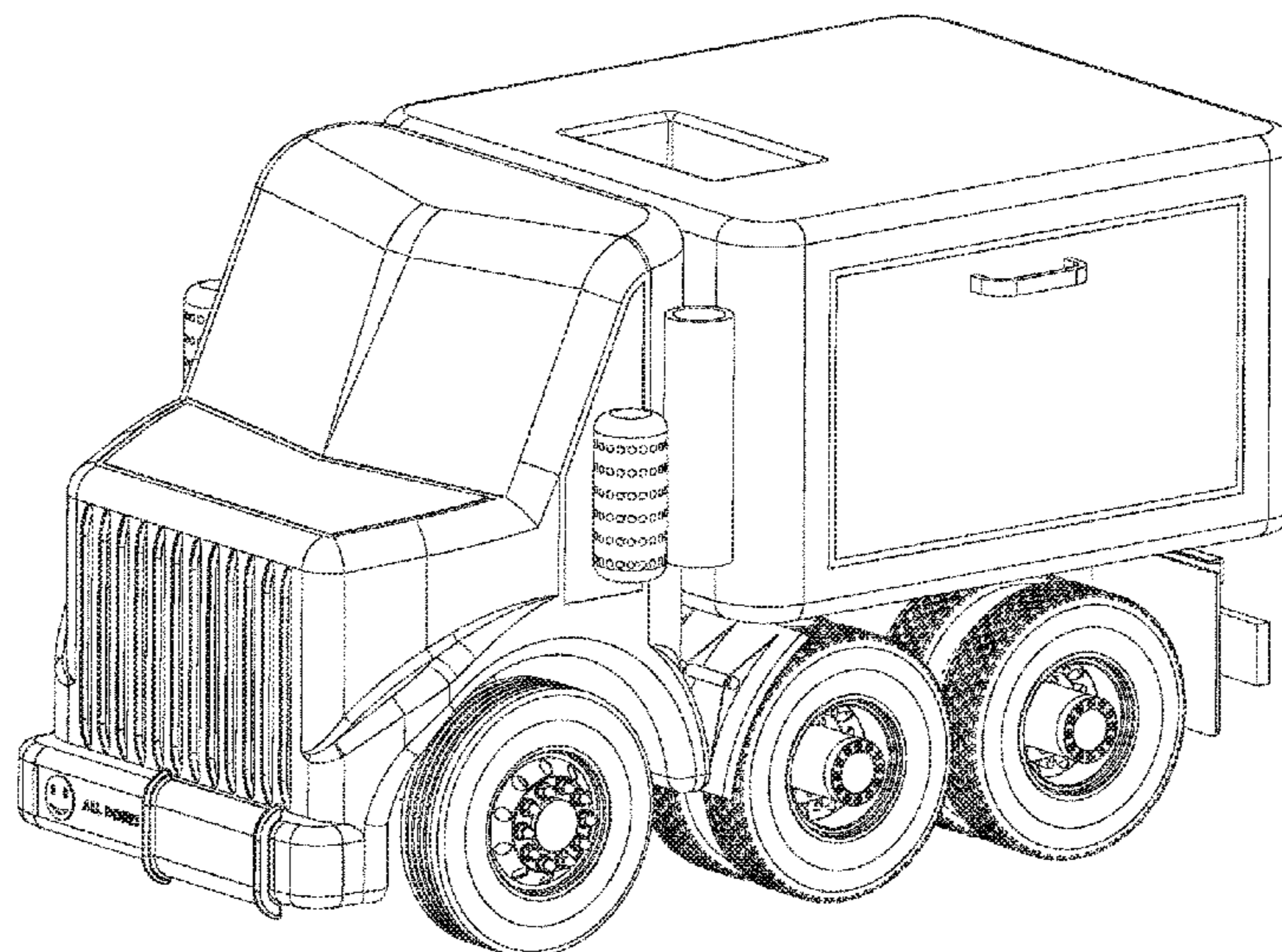
FIG. 8 is a bottom plan view thereof.

FIG. 9 is a right-front perspective view thereof; and,

FIG. 10 is a right-rear perspective view thereof.

The broken line showing of toothbrush holder is included for the purpose of illustrating portions of the “article” and forms no part of the claimed design.

1 Claim, 5 Drawing Sheets



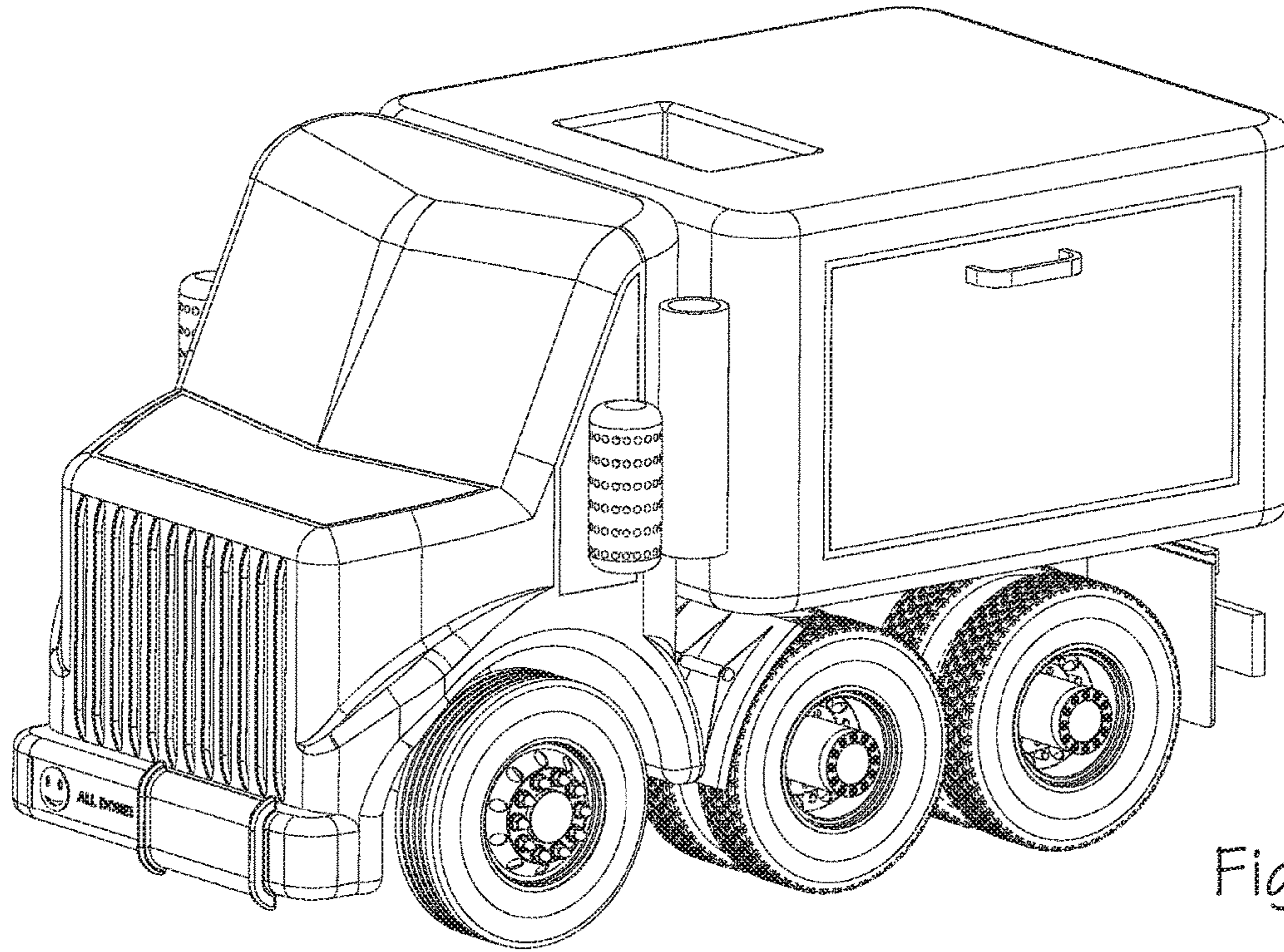


Fig. 1

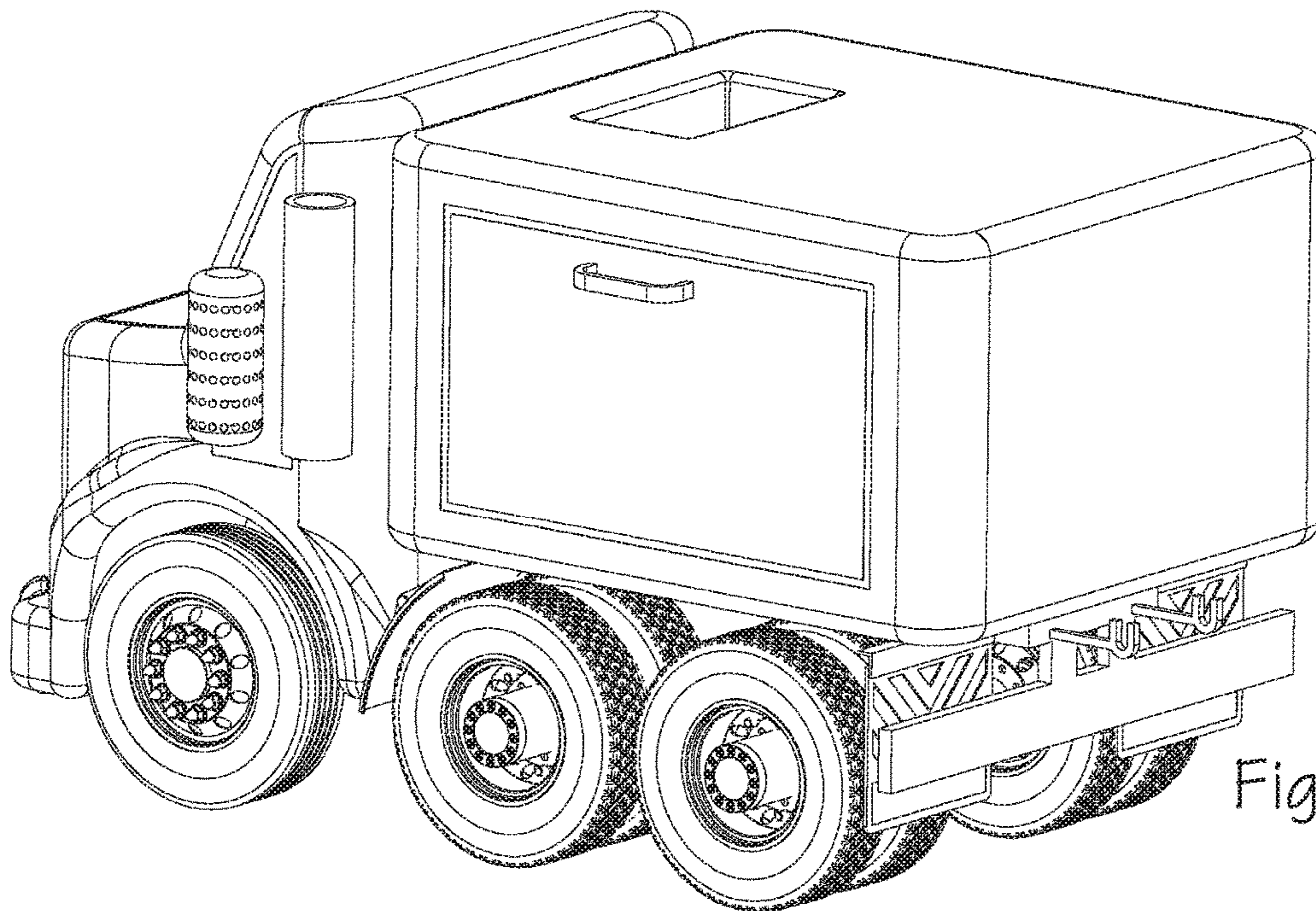


Fig. 2

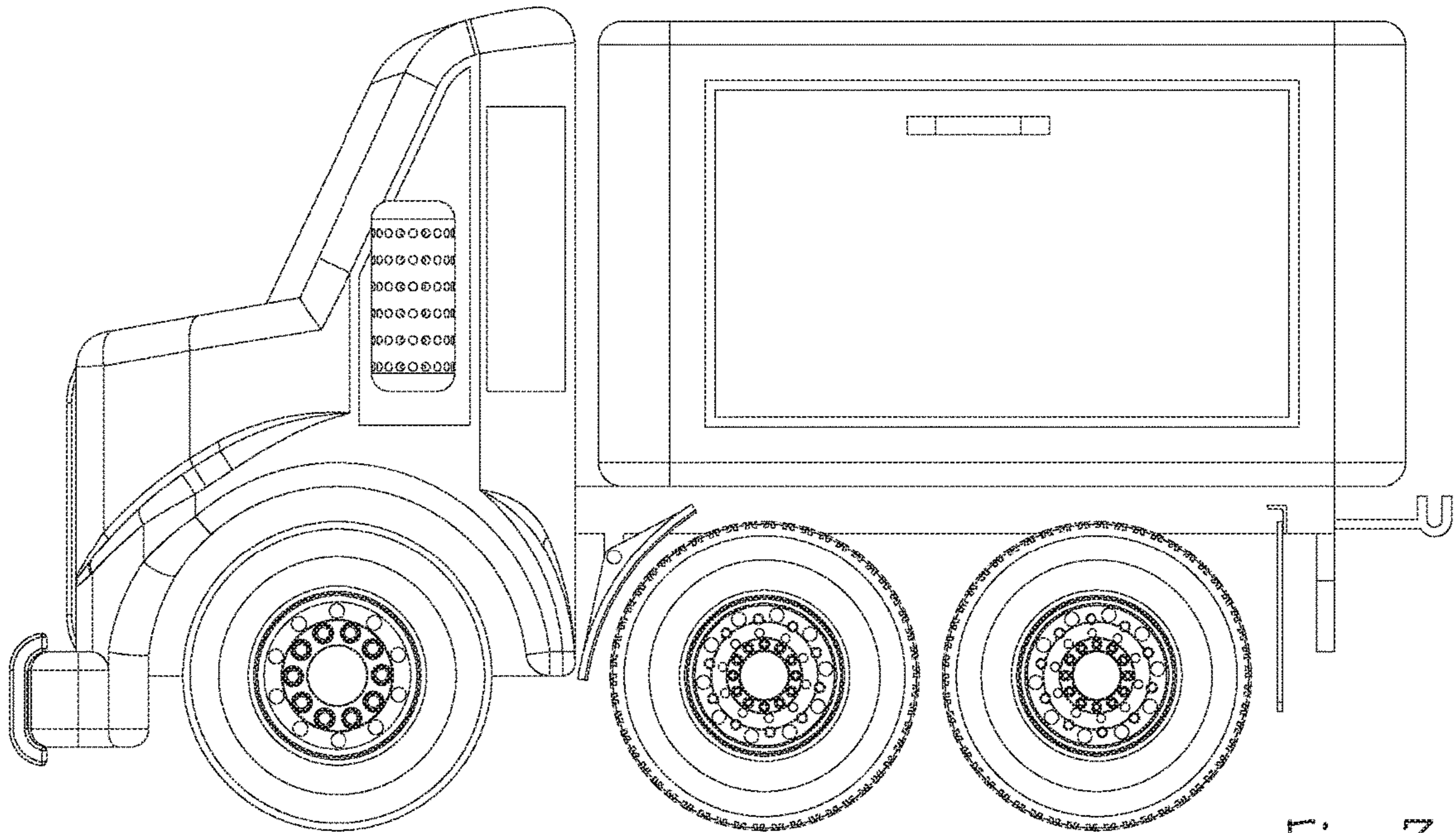


Fig. 3

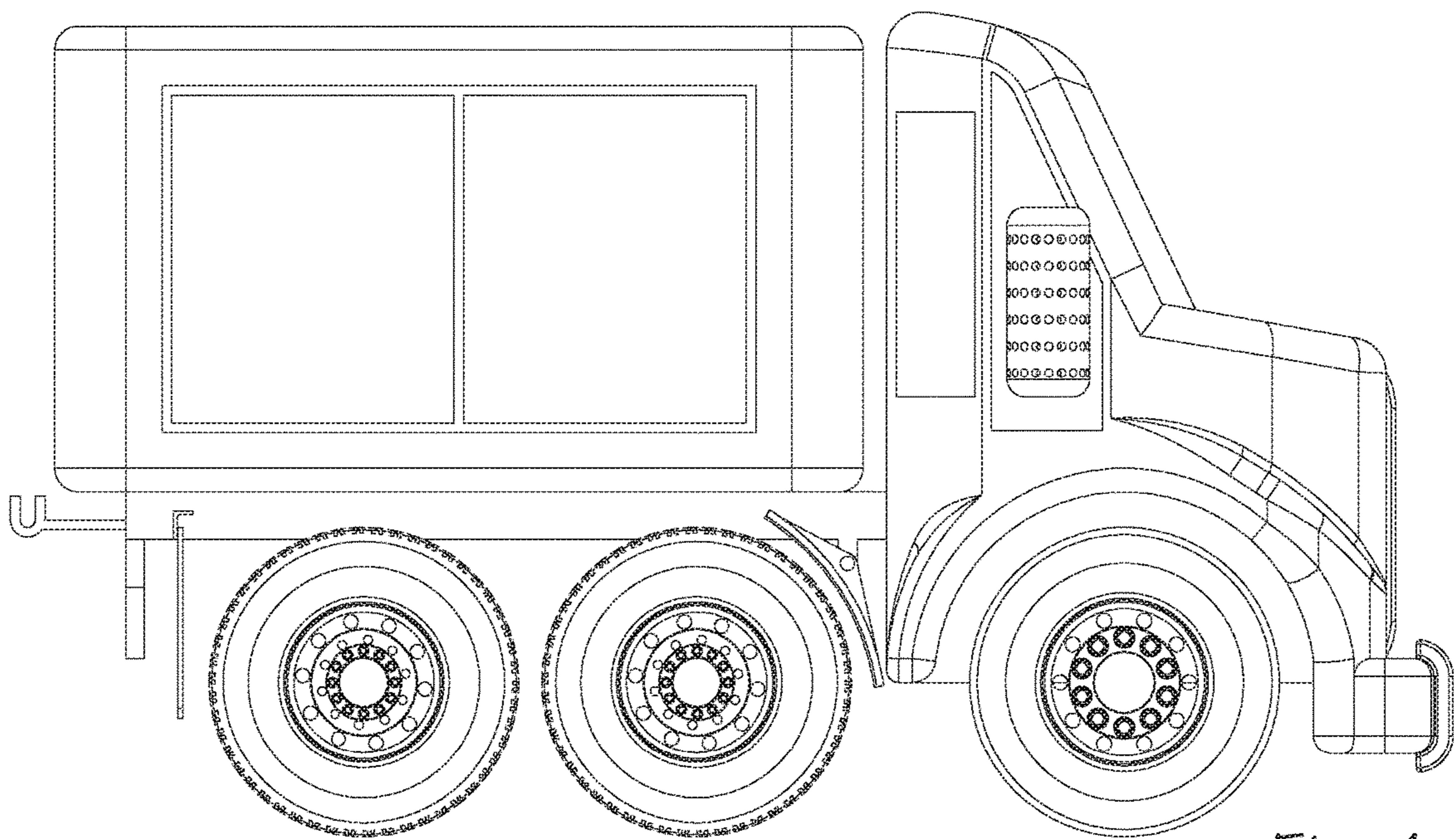


Fig. 4

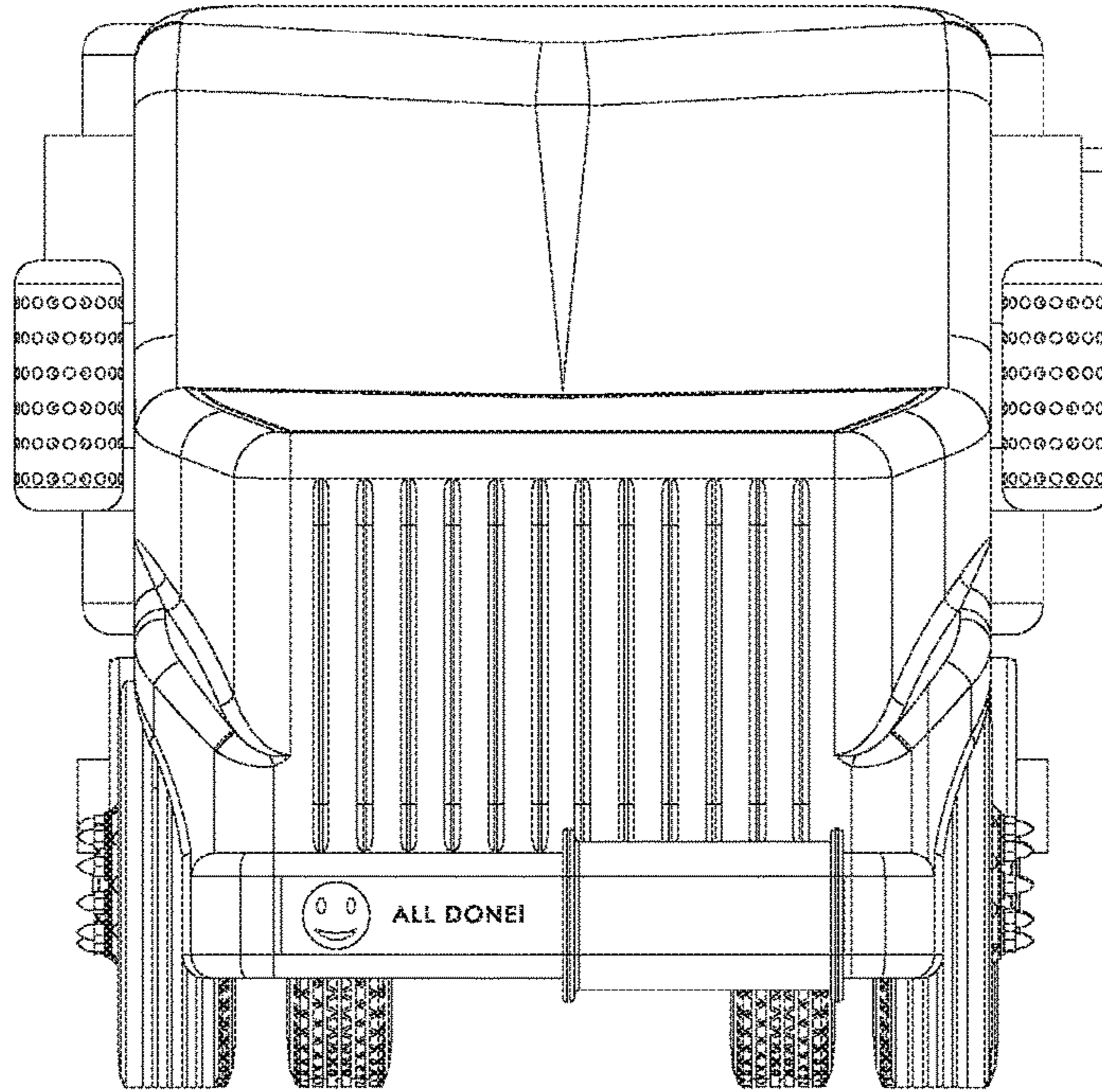


Fig. 5

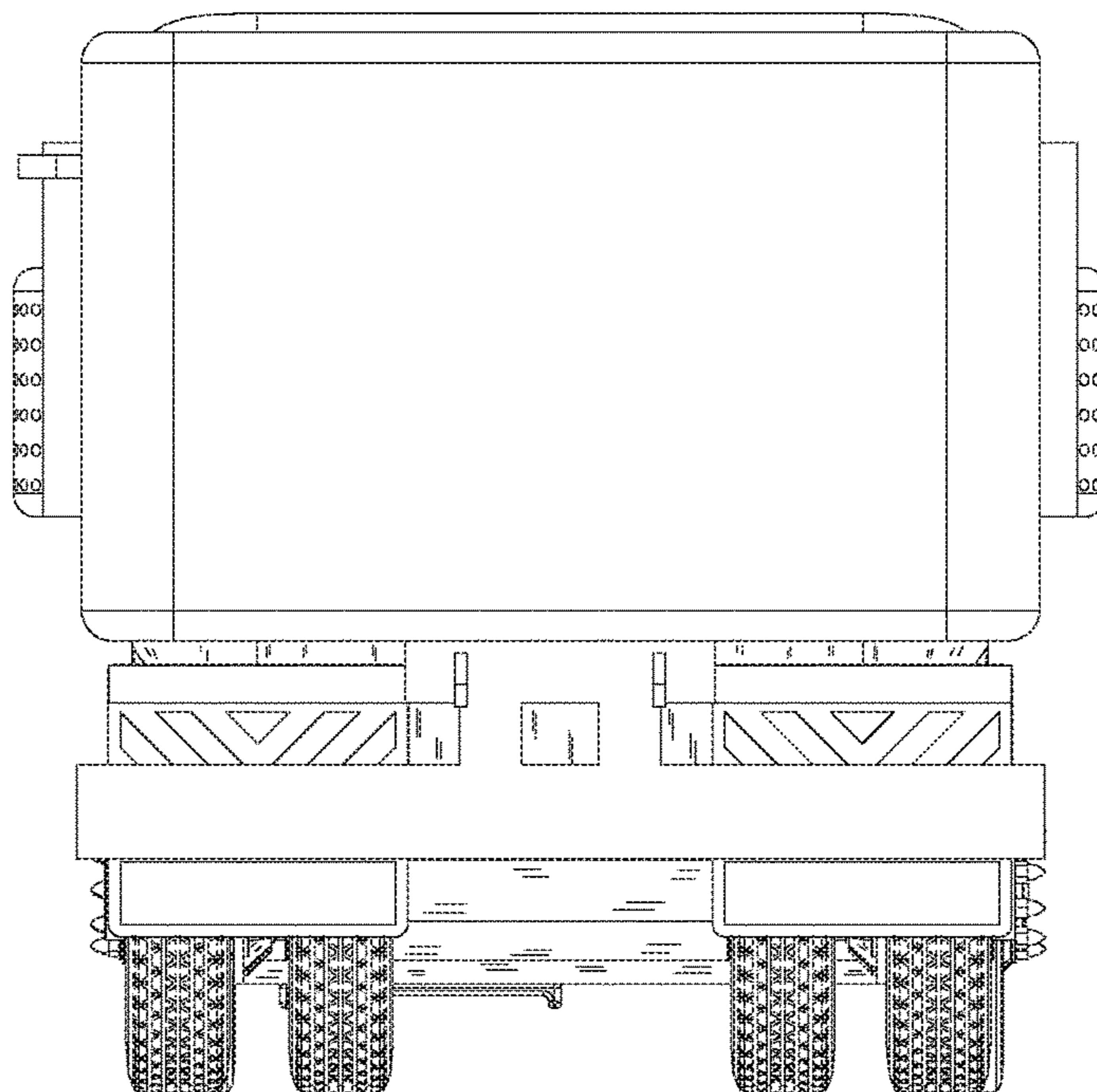


Fig. 6

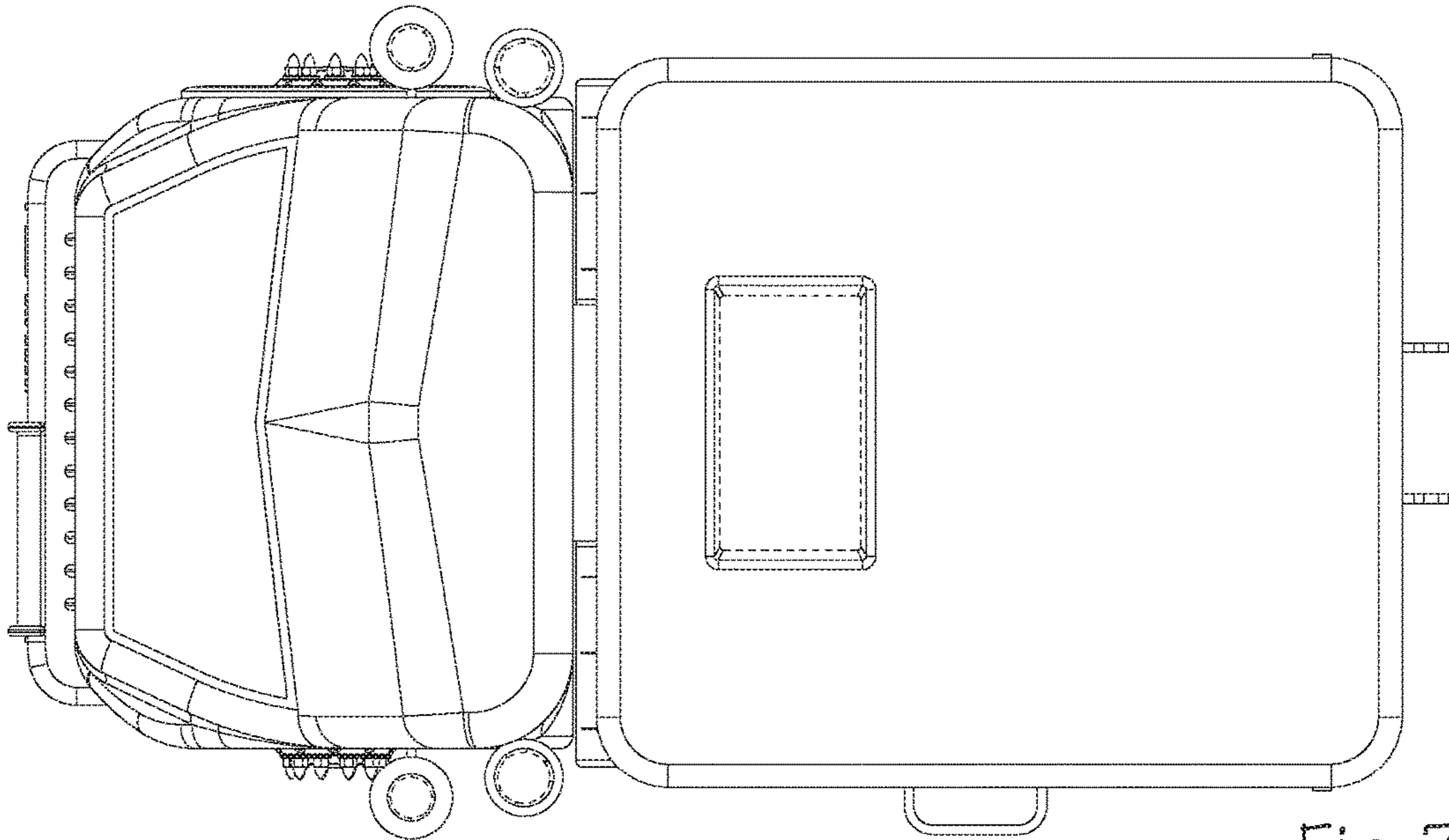


Fig. 7

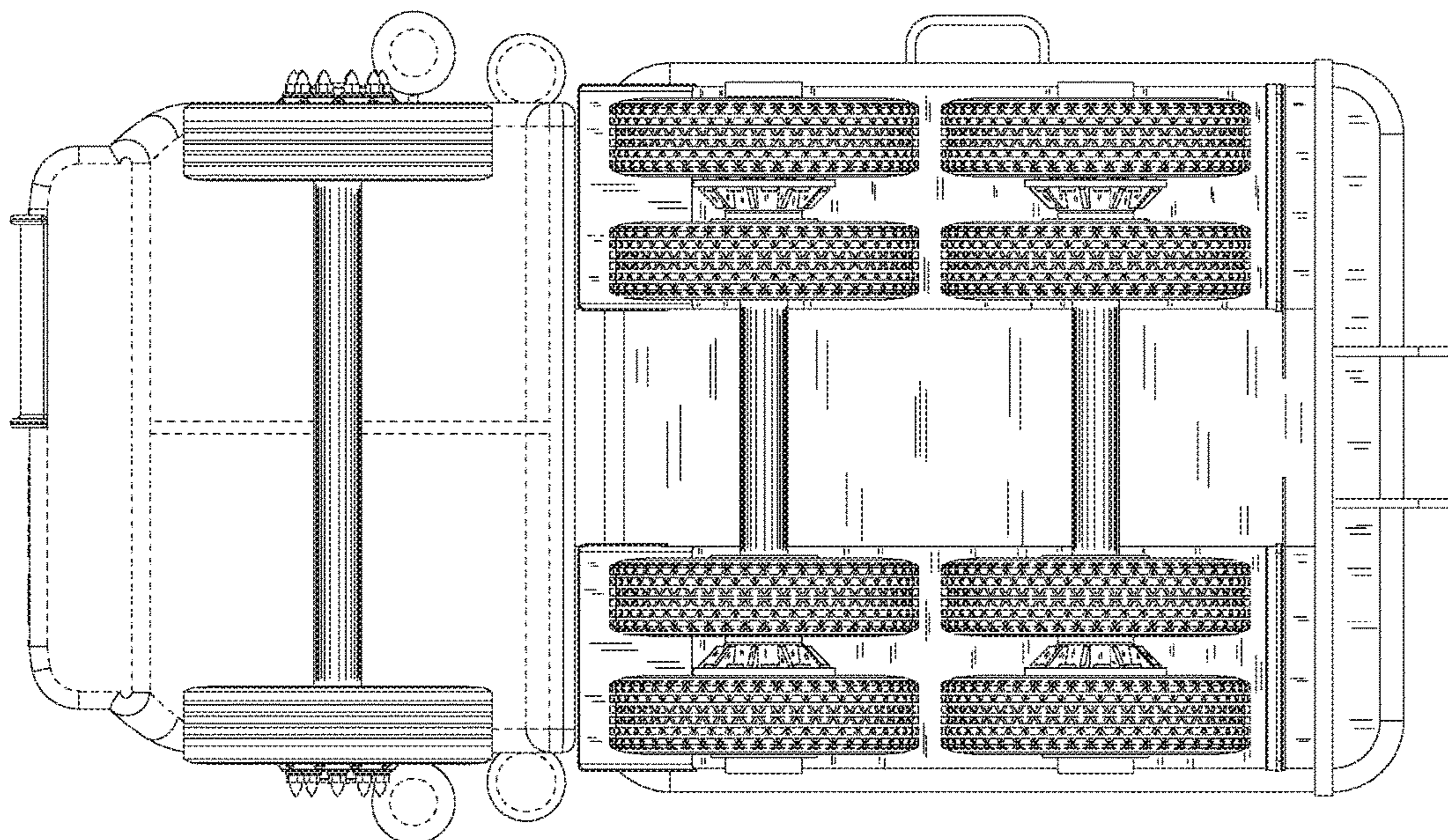


Fig. 8

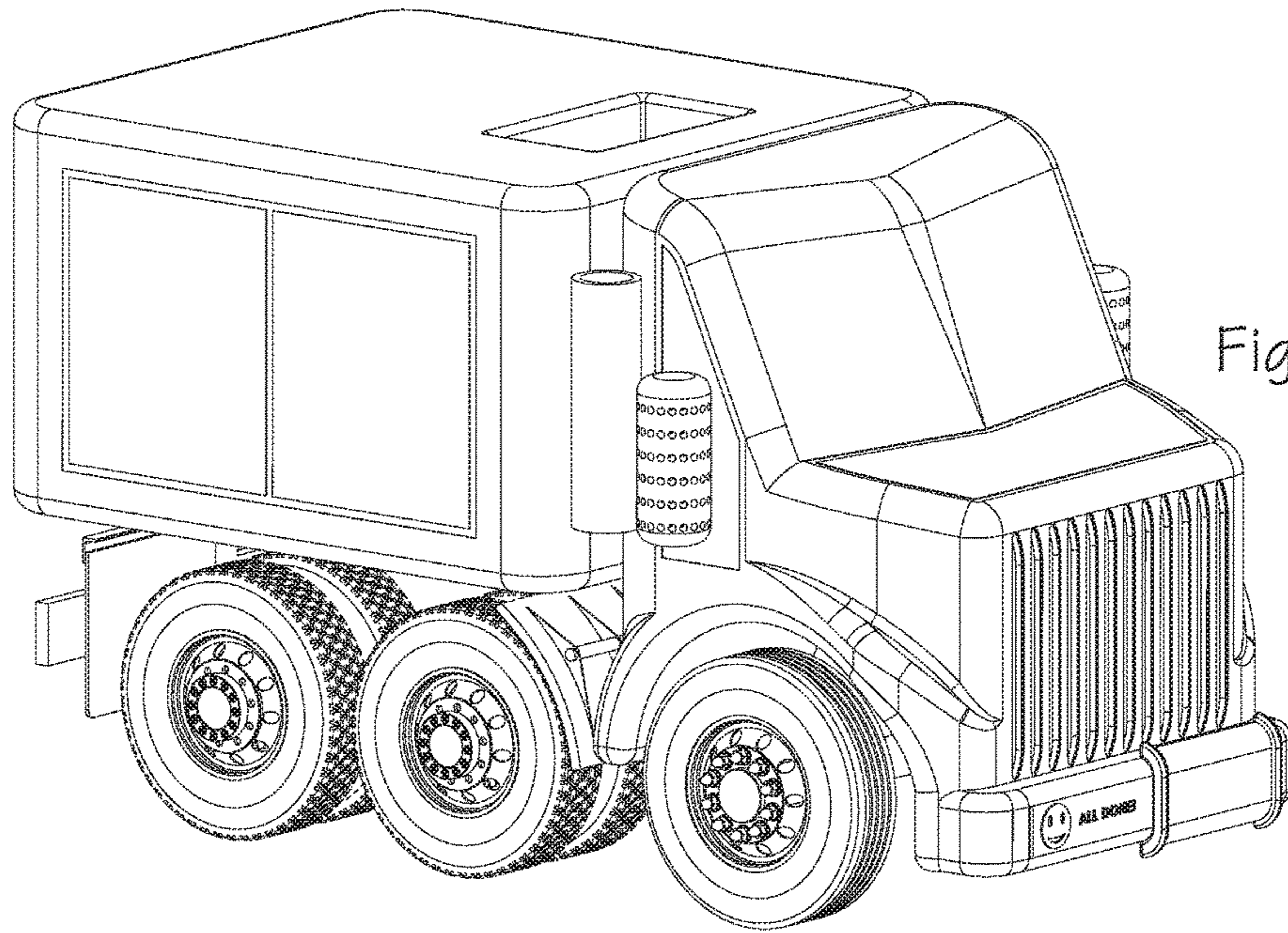


Fig. 9

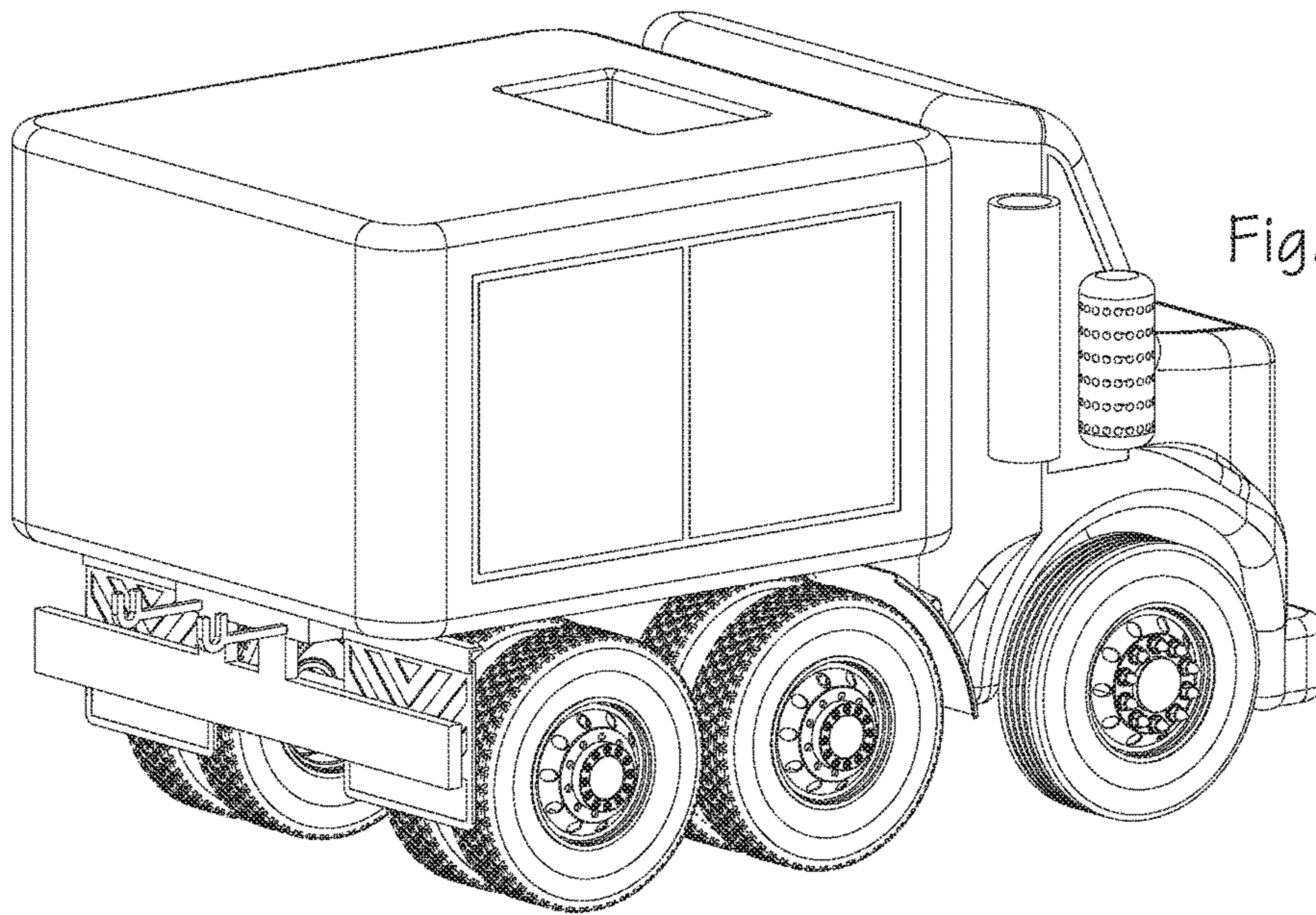


Fig. 10