



US00D787853S

(12) **United States Design Patent** (10) **Patent No.:** **US D787,853 S**
Bunch et al. (45) **Date of Patent:** **** May 30, 2017**

- (54) **TOOTHBRUSH HOLDER**
- (71) Applicant: **Xport Five, LLC**, Paia, HI (US)
- (72) Inventors: **Elizabeth A. Bunch**, Paia, HI (US);
Collin Kobayashi, Honolulu, HI (US)
- (73) Assignee: **Xport Five, LLC**, Paia, HI (US)
- (**) Term: **14 Years**
- (21) Appl. No.: **29/515,561**
- (22) Filed: **Jan. 23, 2015**
- (51) **LOC (10) Cl.** **23-02**
- (52) **U.S. Cl.**
USPC **D6/534**
- (58) **Field of Classification Search**
USPC D6/534, 524, 526, 527, 528; 206/208,
206/228, 209, 209.1, 361, 362, 362.1,
206/362.2, 362.3; 211/13.1, 66, 70.6,
211/86.01, 87.01; D1/113; D12/82, 86,
D12/88, 89, 90, 91, 92, 93, 95; 446/431,
446/444-456, 465, 468, 470, 471;
254/423; D21/424, 433, 434
CPC A47K 1/09; A47K 5/18; A45D 44/18
See application file for complete search history.

- D535,585 S * 1/2007 Moushegian D12/91
- D565,466 S * 4/2008 Moushegian D12/91
- 7,364,490 B2 * 4/2008 Lee A63H 23/04
180/65.6
- 2001/0053653 A1 * 12/2001 Harada A63H 17/36
446/468
- 2008/0268745 A1 * 10/2008 Asbach B62K 9/00
446/470

OTHER PUBLICATIONS

SmileyRides.com website, under development section 4 Wheel Drive Pickup; Jun. 16, 16, <http://www.smileyrides.com/#!/products/cgmq>.*

* cited by examiner

Primary Examiner — David Muller
Assistant Examiner — Nathan Johnston
(74) *Attorney, Agent, or Firm* — K. David Crockett, Esq.; Paul J. Backofen, Esq.; Crockett & Crockett, PC

(57) **CLAIM**

The ornamental design for a toothbrush holder, as shown and described.

DESCRIPTION

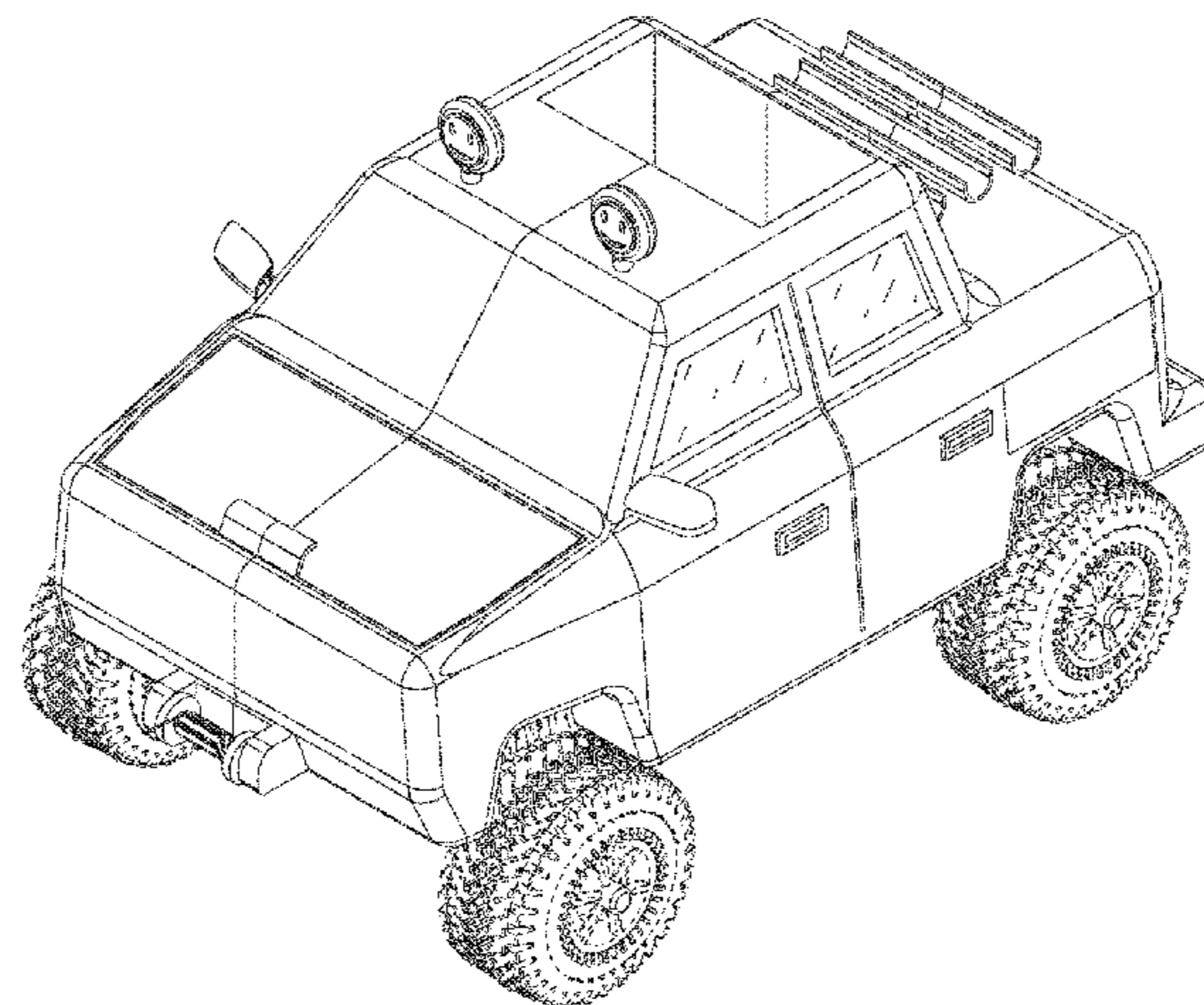
FIG. 1 is a left-front perspective view of a toothbrush holder showing our new design.
FIG. 2 is a left-rear perspective view thereof.
FIG. 3 is a left side elevation view thereof.
FIG. 4 is a right side elevation view thereof.
FIG. 5 is a front elevation view thereof.
FIG. 6 is a rear elevation view thereof.
FIG. 7 is a top plan view thereof.
FIG. 8 is a bottom plan view thereof.
FIG. 9 is a right-front perspective view thereof; and,
FIG. 10 is a right-rear perspective view thereof.
The broken line showing of toothbrush holder is included for the purpose of illustrating portions of the “article” and forms no part of the claimed design.

1 Claim, 5 Drawing Sheets

(56) **References Cited**

U.S. PATENT DOCUMENTS

- 4,521,206 A * 6/1985 Saffer A63H 18/02
238/10 A
- 4,573,941 A * 3/1986 Holden A63H 17/38
446/451
- 4,595,380 A * 6/1986 Magers A63H 17/38
446/437
- 4,695,266 A * 9/1987 Hui A63H 33/00
446/454
- 4,762,511 A * 8/1988 Lee A63H 17/02
446/469
- D508,441 S * 8/2005 Moushegian D12/86
- D513,395 S * 1/2006 Pizzuti D12/91
- D521,901 S * 5/2006 Dean D12/91



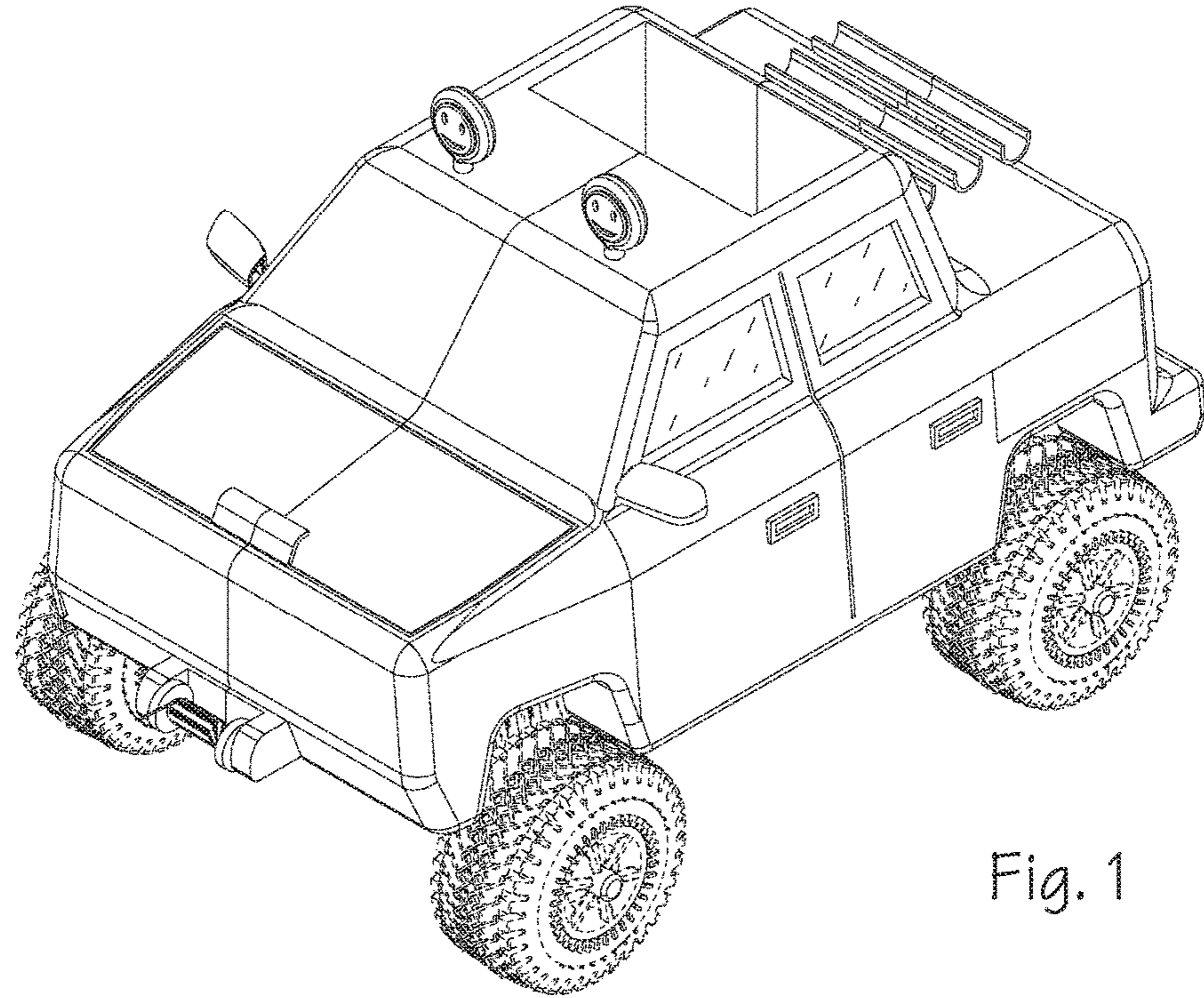


Fig. 1

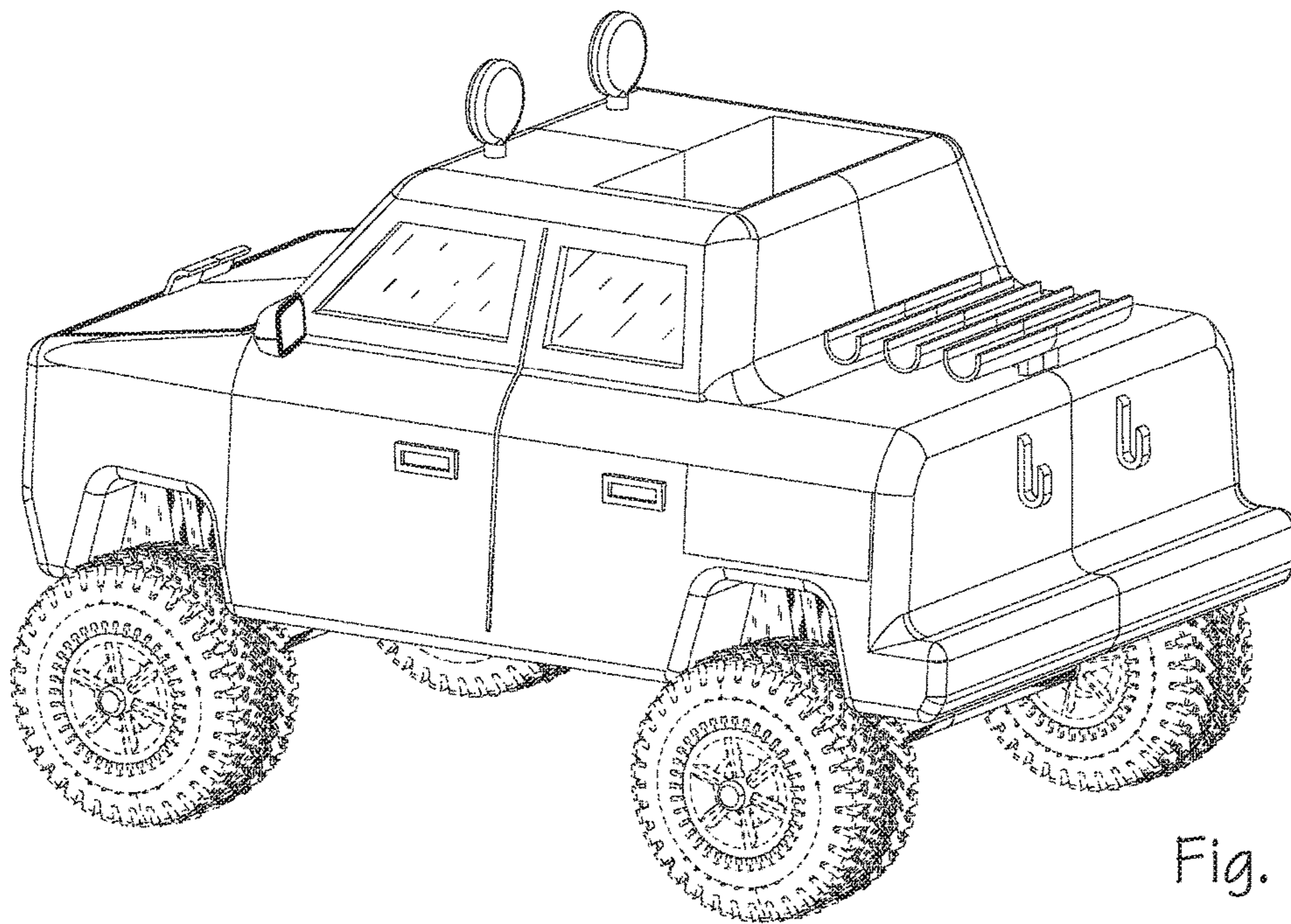


Fig. 2

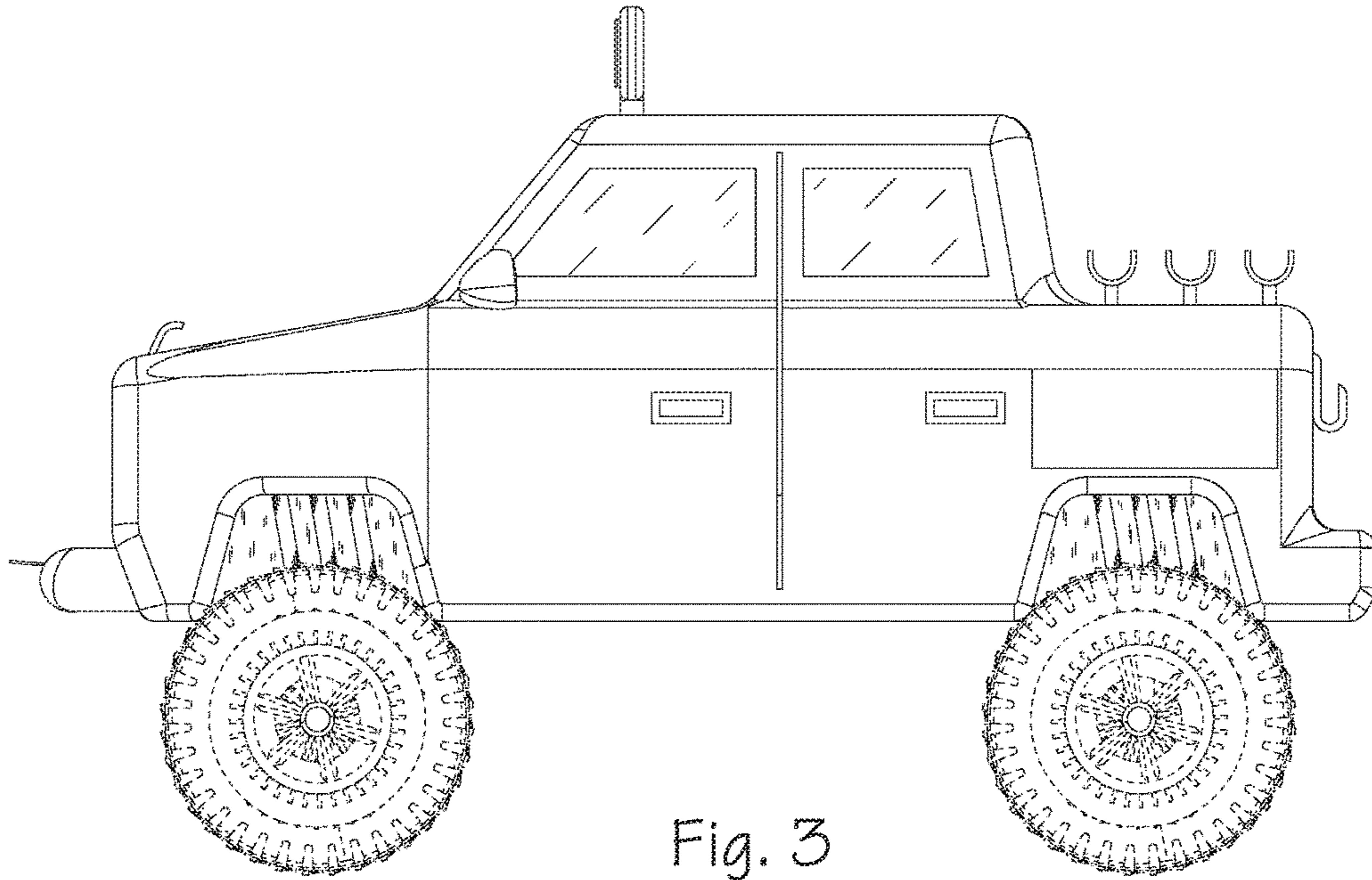


Fig. 3

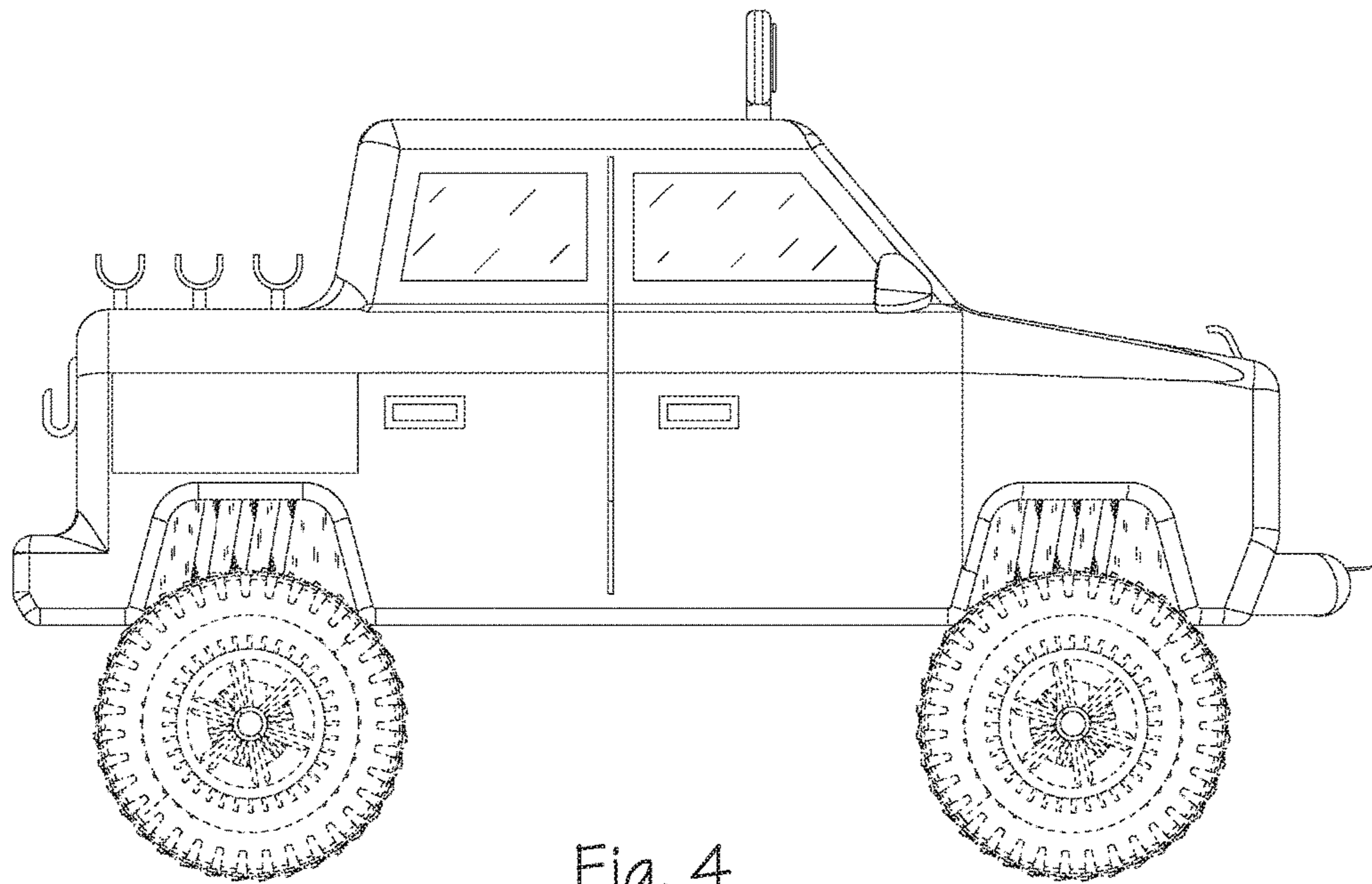


Fig. 4

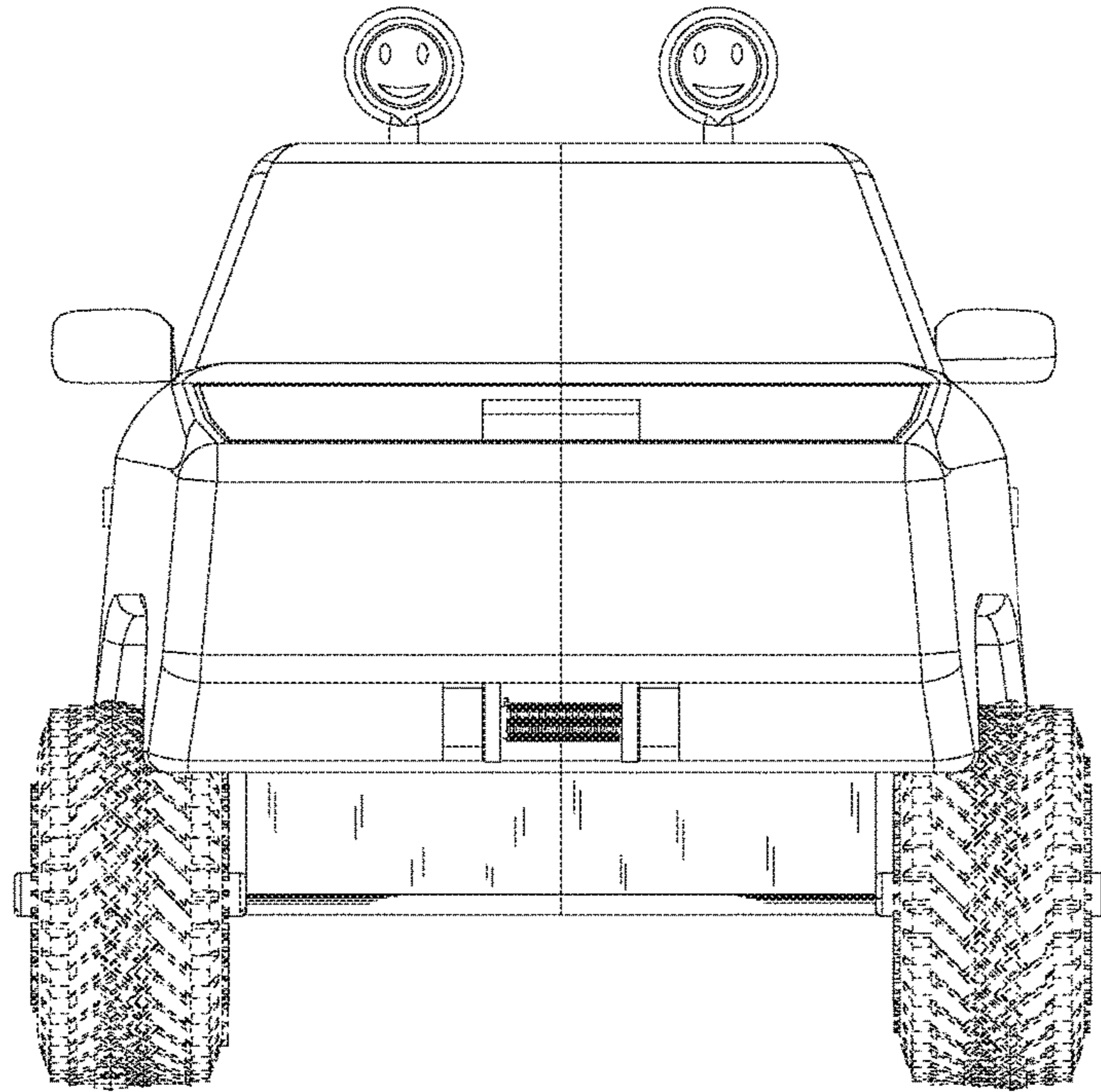


Fig. 5

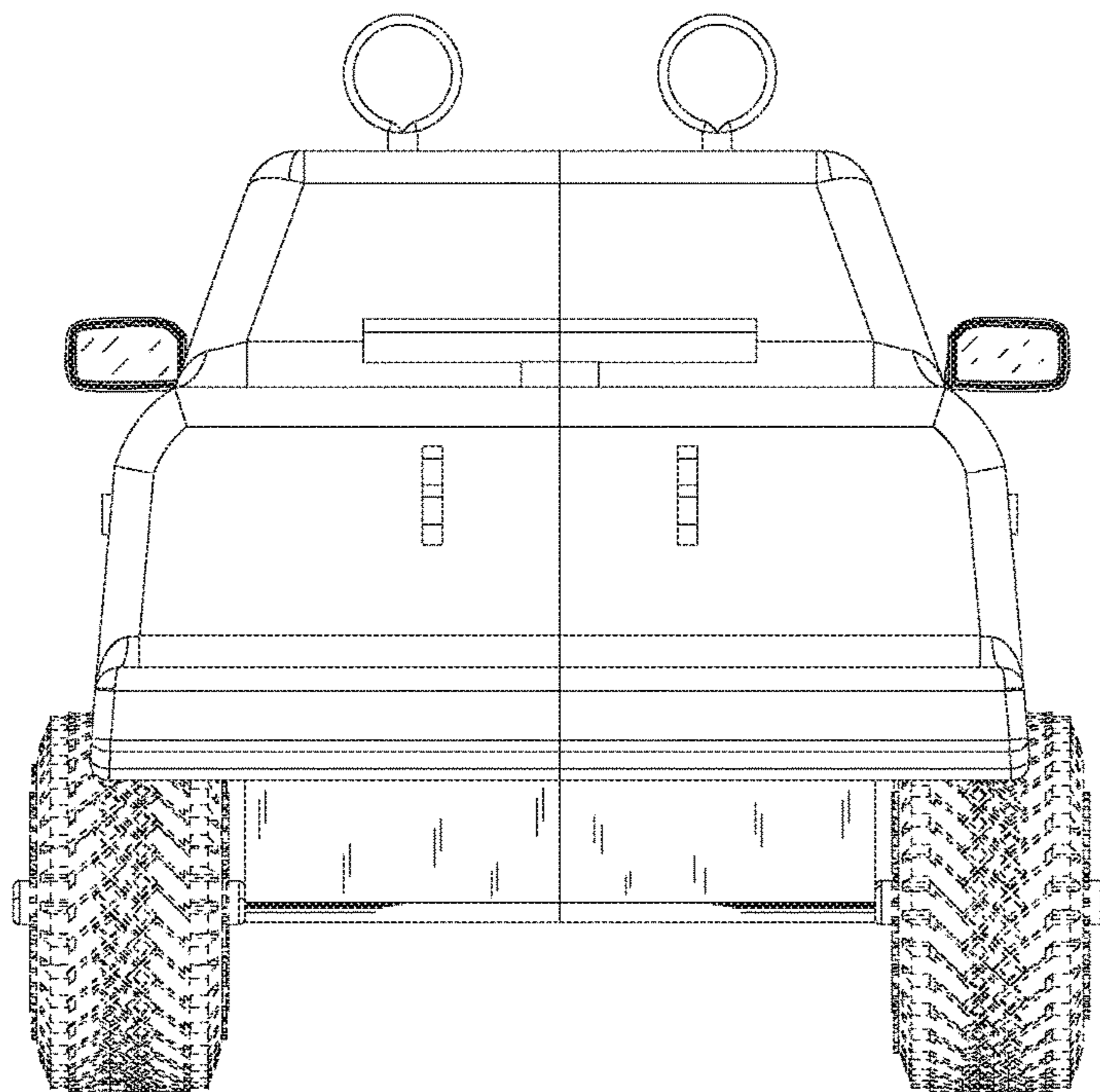


Fig. 6

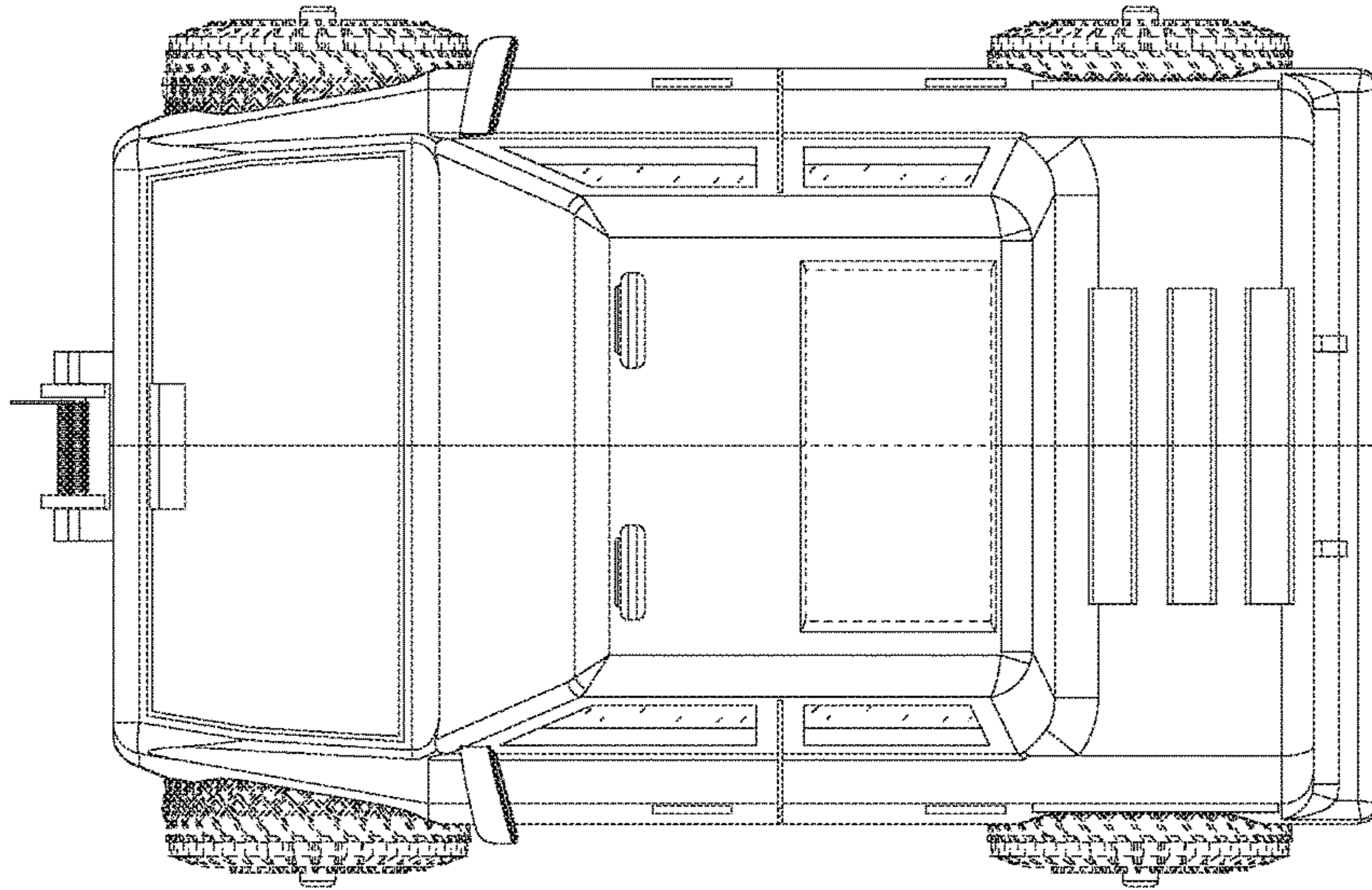


Fig. 7

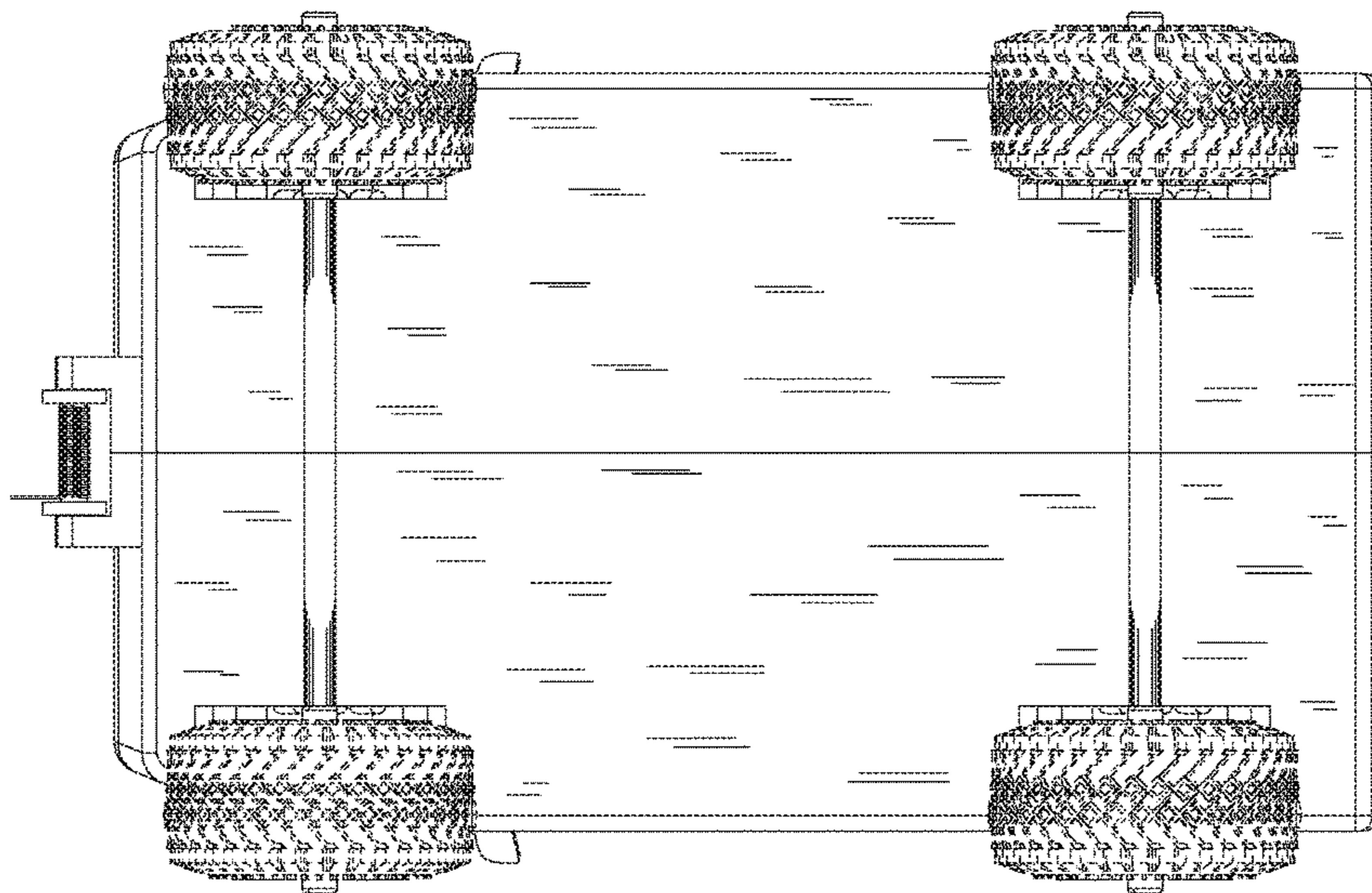


Fig. 8

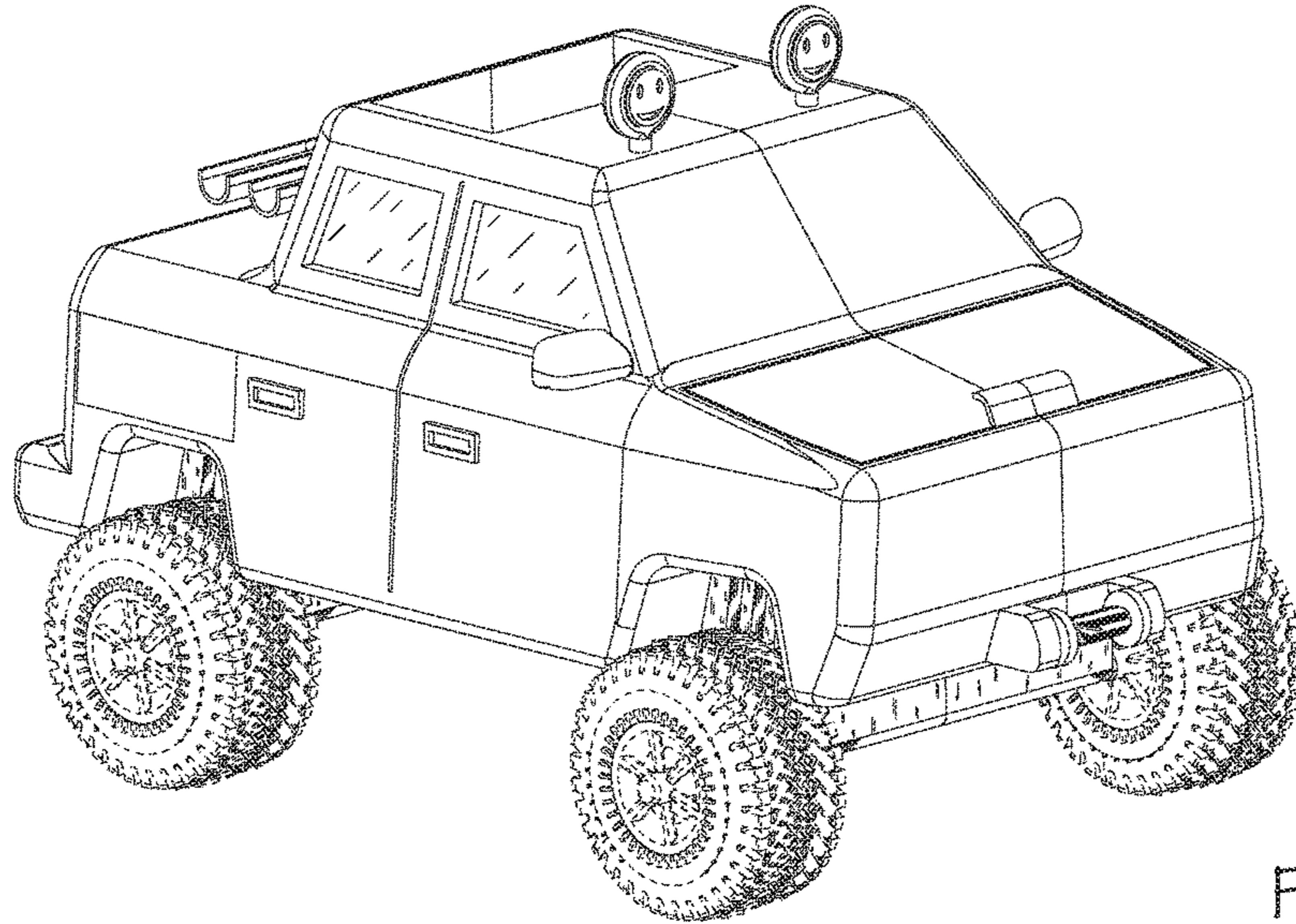


Fig. 9

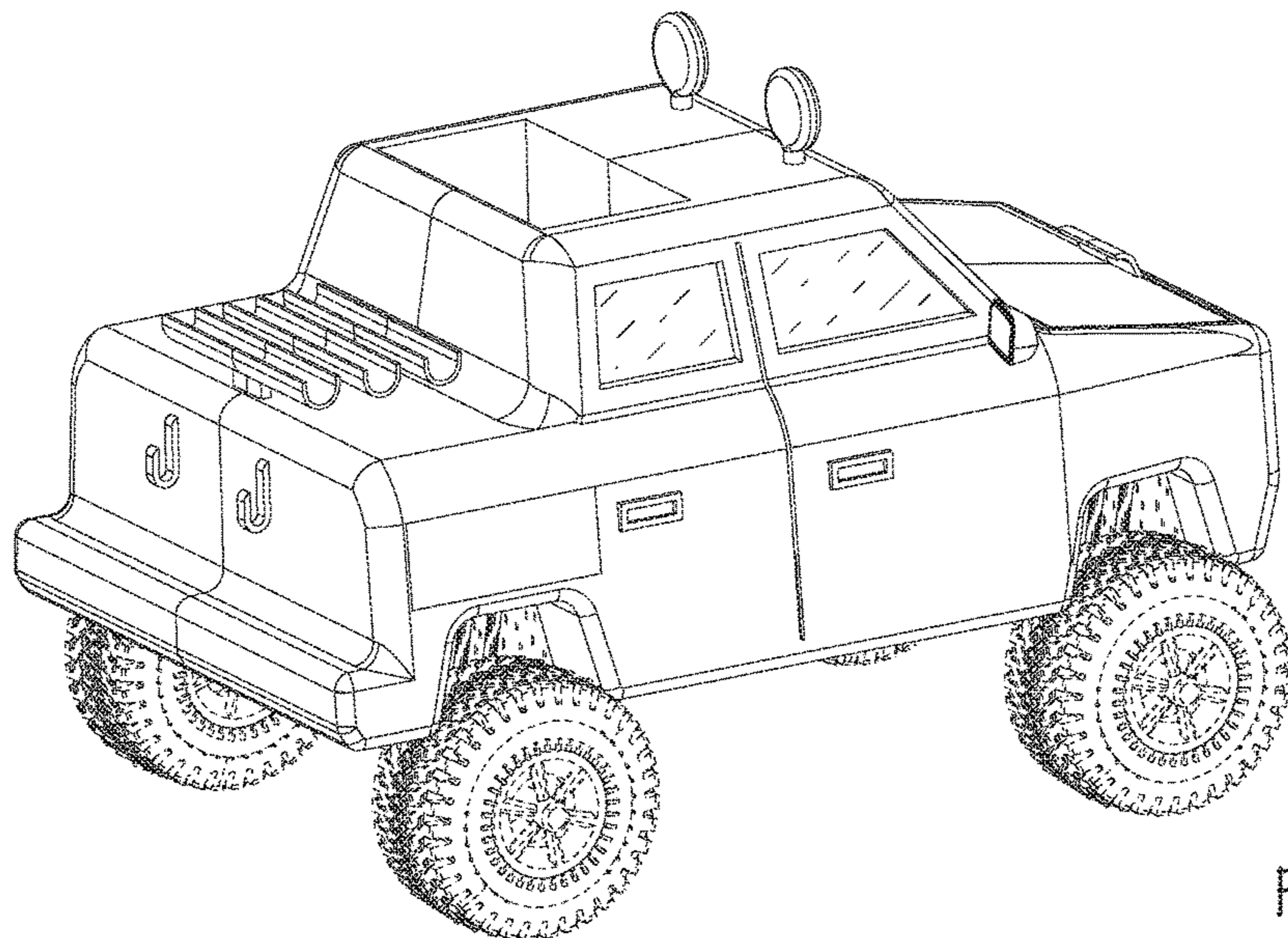


Fig. 10