



US00D787850S

(12) **United States Design Patent**
Dix

(10) **Patent No.:** **US D787,850 S**

(45) **Date of Patent:** **** May 30, 2017**

(54) **SEAT**

D751,837 S * 3/2016 Sethapun D6/356
D758,089 S * 6/2016 Thoms D6/381
D776,450 S * 1/2017 Dix D6/381

(71) Applicant: **SOUTHERN MOTION, INC.**,
Pontotoc, MS (US)

* cited by examiner

(72) Inventor: **George K Dix**, Pontotoc, MS (US)

Primary Examiner — Deanna L Pratt

(73) Assignee: **Southern Motion, Inc.**, Pontotoc, MS
(US)

(74) *Attorney, Agent, or Firm* — Thomas G. Peterson;
Bradley Arant Boult Cummings LLP

(**) Term: **15 Years**

(57) **CLAIM**

The ornamental design for a seat, as shown and described.

(21) Appl. No.: **29/559,680**

DESCRIPTION

(22) Filed: **Mar. 30, 2016**

FIG. 1 shows a perspective view of a first embodiment of the seat in accordance with the new design.

(51) **LOC (10) Cl.** **06-01**

FIG. 2 shows a front elevation view of the embodiment of FIG. 1.

(52) **U.S. Cl.**

FIG. 3 shows a side view of the embodiment of FIG. 1.

USPC **D6/381; D6/334**

FIG. 4 shows a rear view of the embodiment of FIG. 1.

(58) **Field of Classification Search**

FIG. 5 shows a top view of the embodiment of FIG. 1.

USPC D6/334, 335, 336, 360, 361, 367, 368,
D6/371–375, 379–381, 716, 716.1–716.8

FIG. 6 shows a perspective view of a second embodiment of the seat in accordance with the new design.

CPC A47C 17/00; A47C 17/02; A47C 17/04;
A47C 17/045; A47C 17/12; A47C 17/175

FIG. 7 shows a front elevation view of the embodiment of FIG. 6.

See application file for complete search history.

FIG. 8 shows a side view of the embodiment of FIG. 6.

(56) **References Cited**

U.S. PATENT DOCUMENTS

D384,219 S * 9/1997 Natuzzi D6/334
D390,372 S * 2/1998 Lewis D6/367
D492,500 S * 7/2004 Nash D6/381
D634,941 S * 3/2011 Crockett D6/381
D677,494 S * 3/2013 Digirolamo D6/381
D721,513 S * 1/2015 Adair D6/381
D721,515 S * 1/2015 Adair D6/381
D742,135 S * 11/2015 Dix D6/381
D750,915 S * 3/2016 Dix D6/381

FIG. 9 shows a rear view of the embodiment of FIG. 6.

FIG. 10 shows a top view of the embodiment of FIG. 6.

FIG. 11 shows a perspective view of a third embodiment of the seat in accordance with the new design.

FIG. 12 shows a front elevation view of the embodiment of FIG. 11.

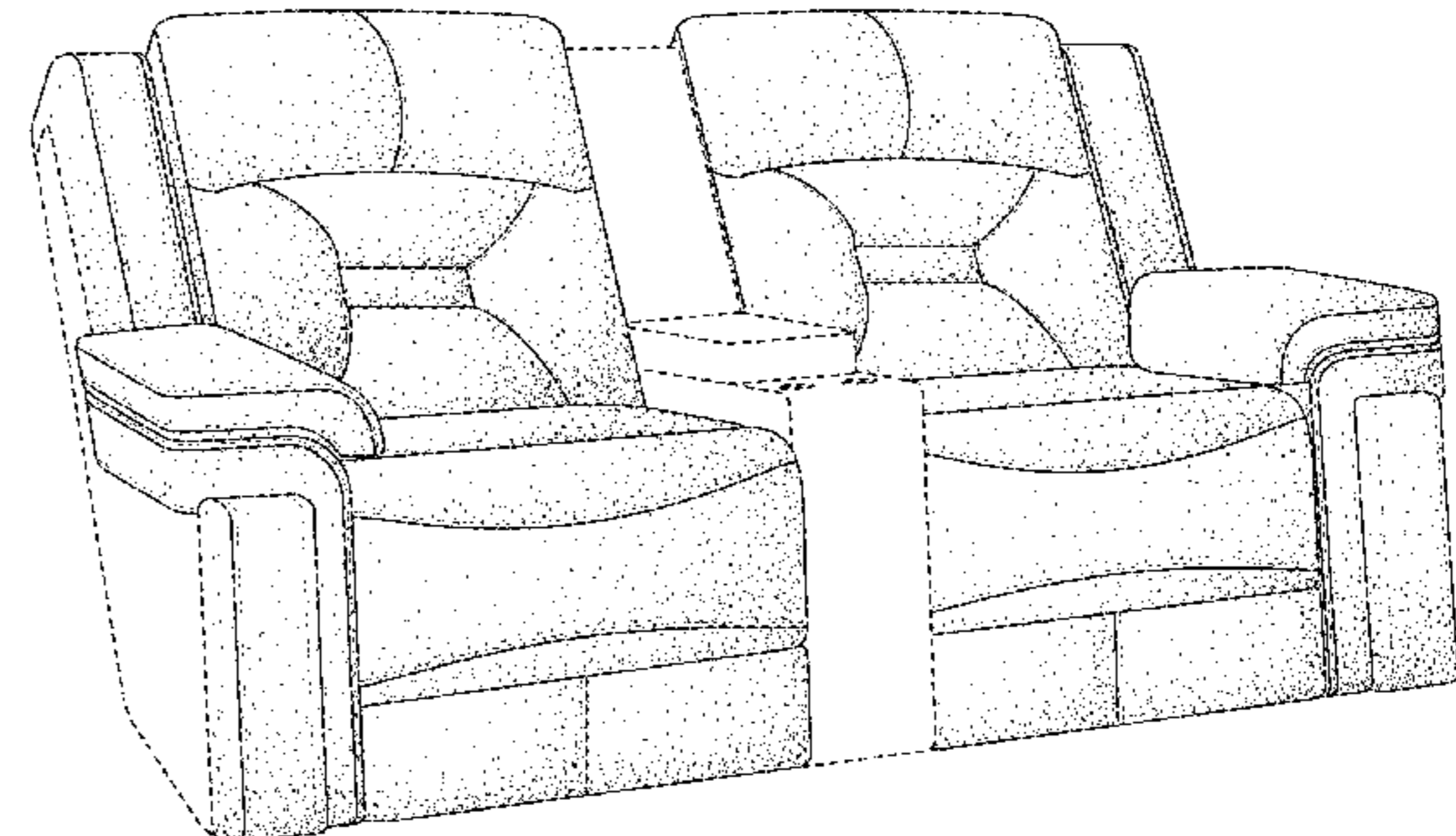
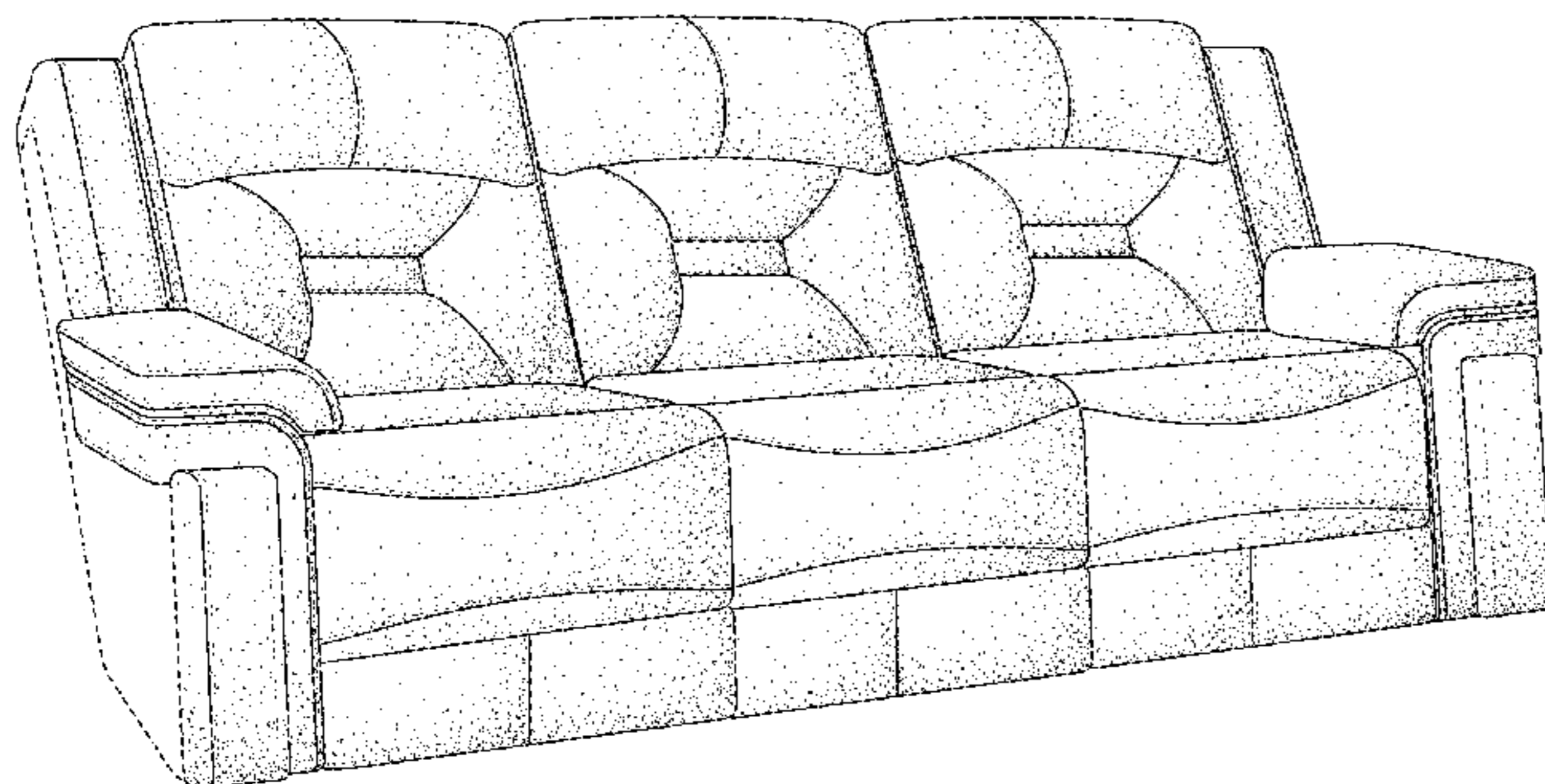
FIG. 13 shows a side view of the embodiment of FIG. 11.

FIG. 14 shows a rear view of the embodiment of FIG. 11; and,

FIG. 15 shows a top view of the embodiment of FIG. 11.

The dashed lines shown in the drawings illustrate environmental structure and form no part of the claimed design.

1 Claim, 15 Drawing Sheets



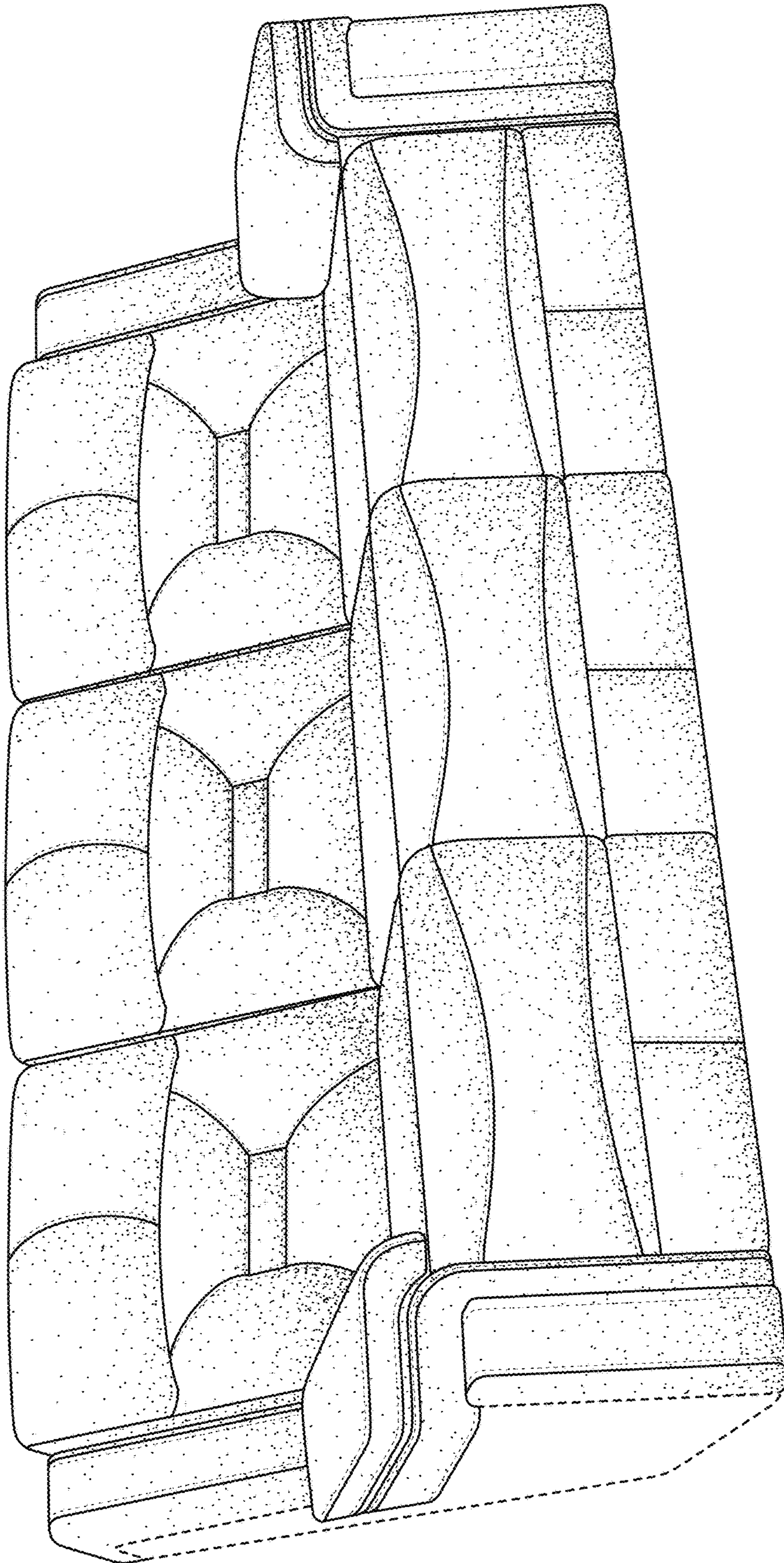


FIG. 1

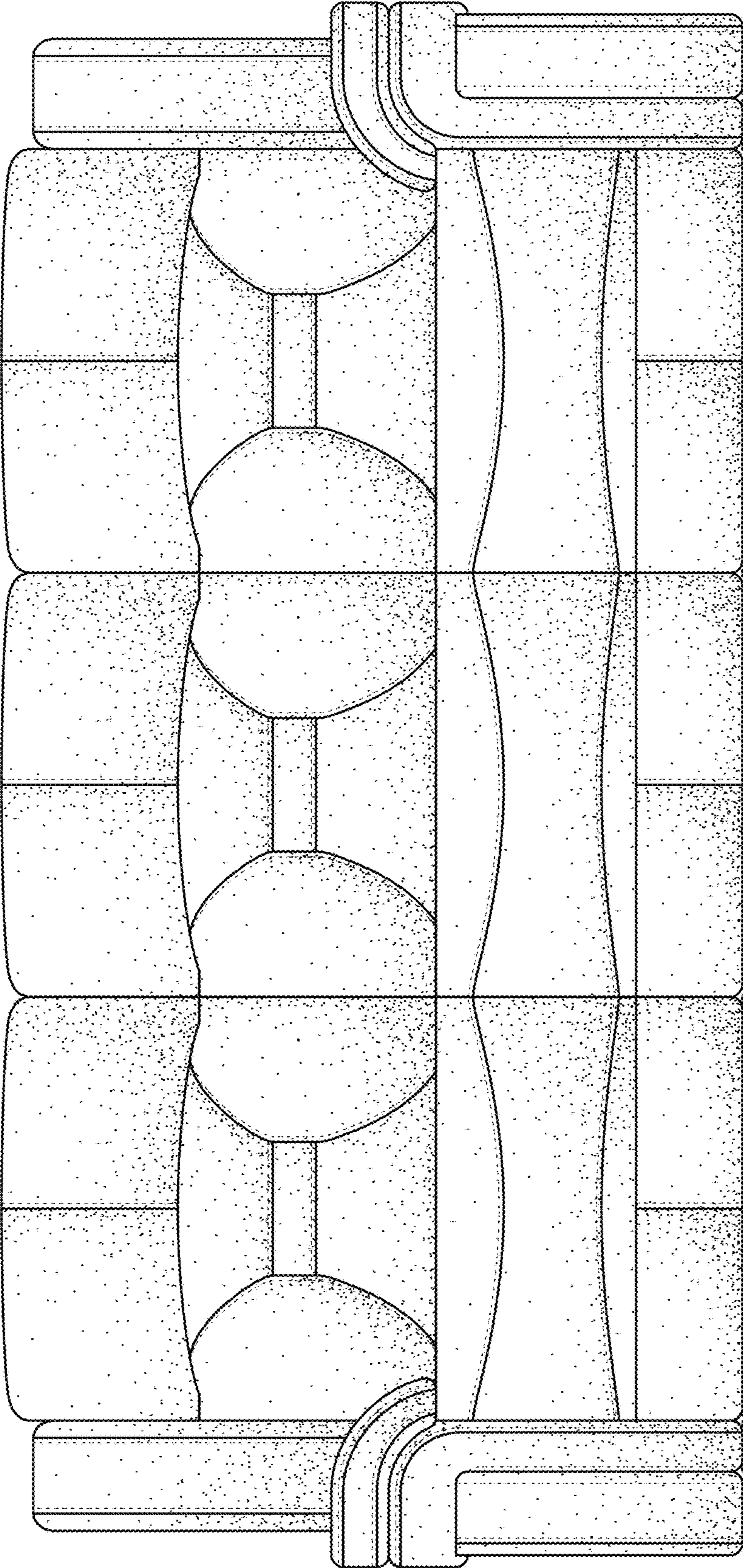


FIG. 2

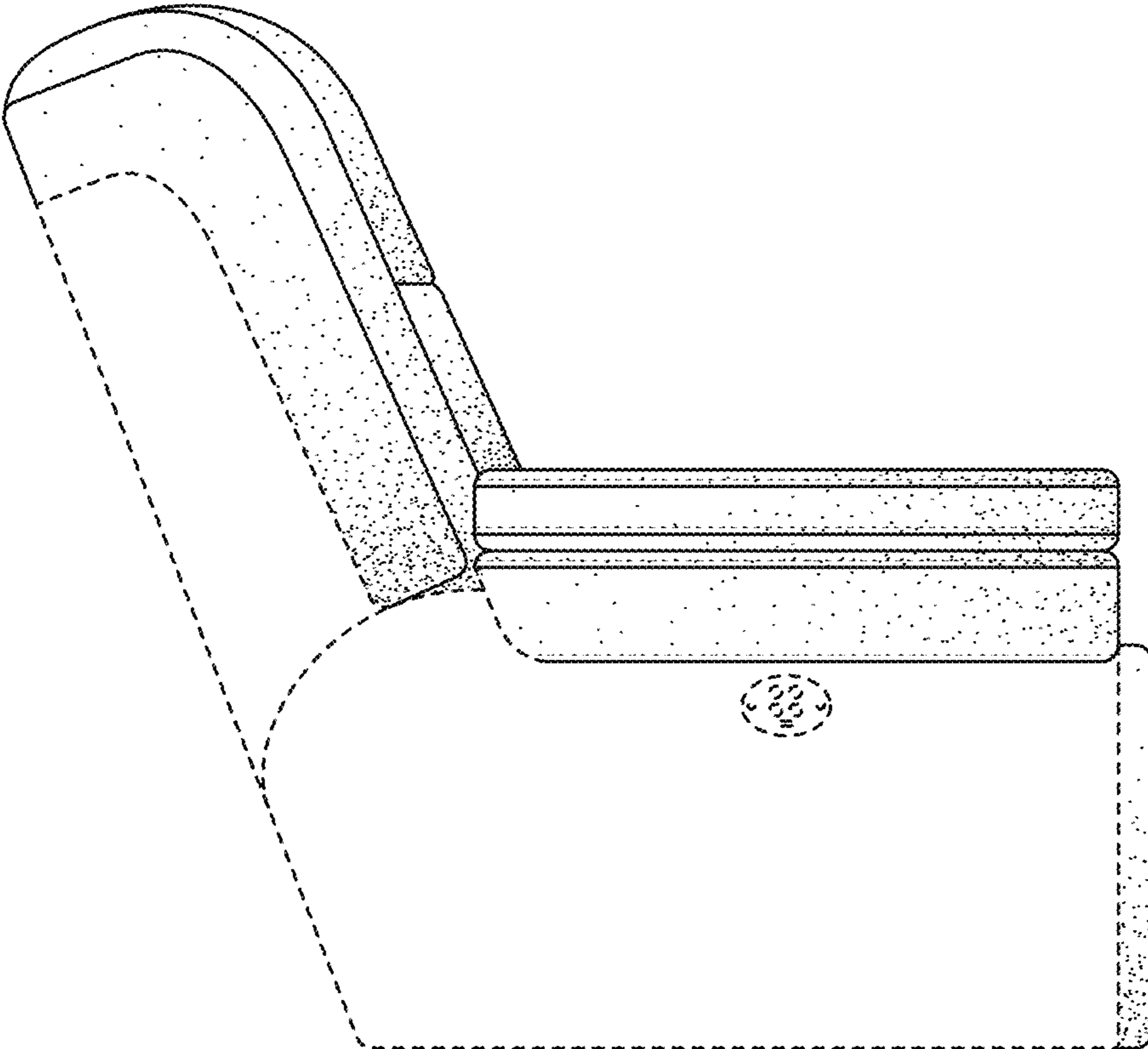


FIG. 3

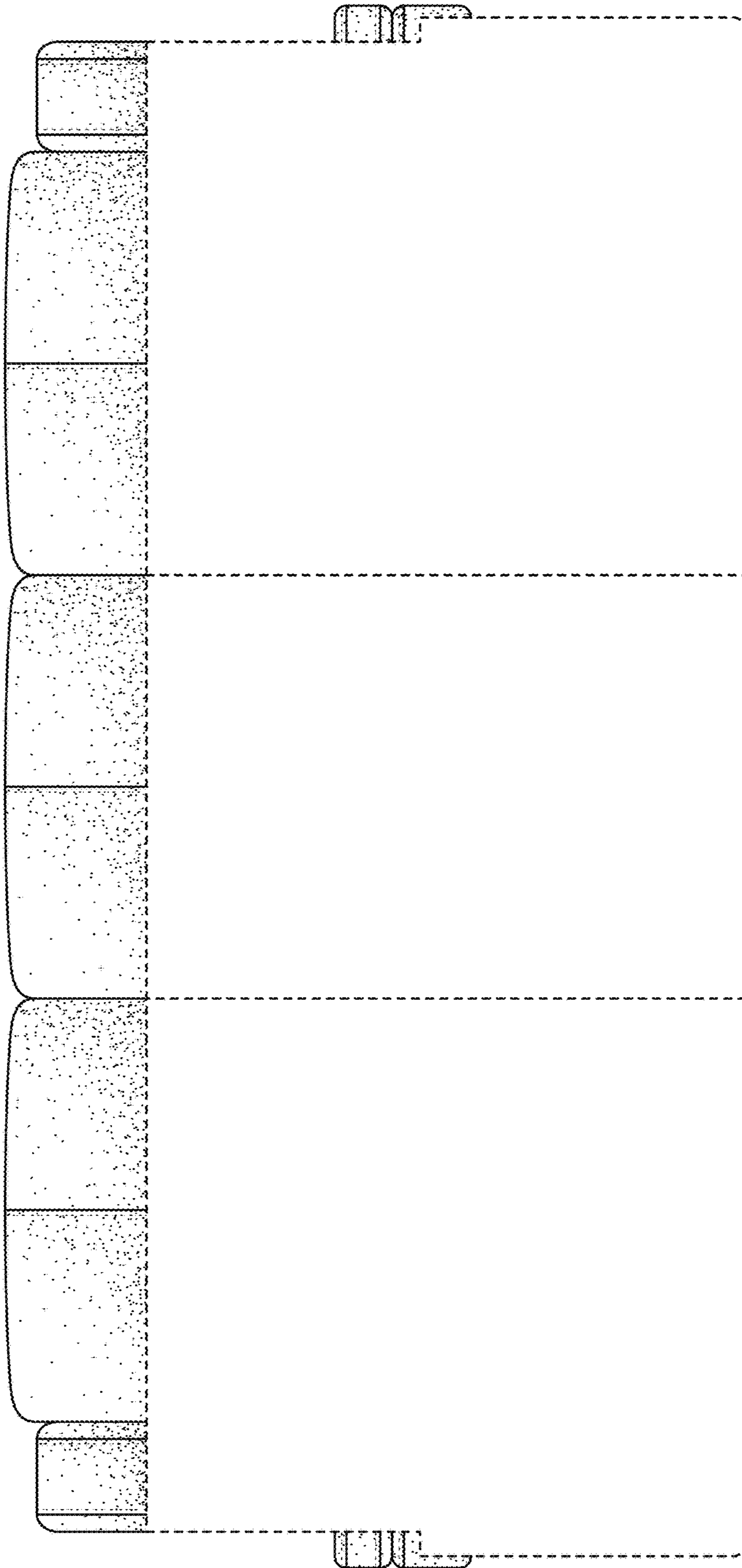


FIG. 4

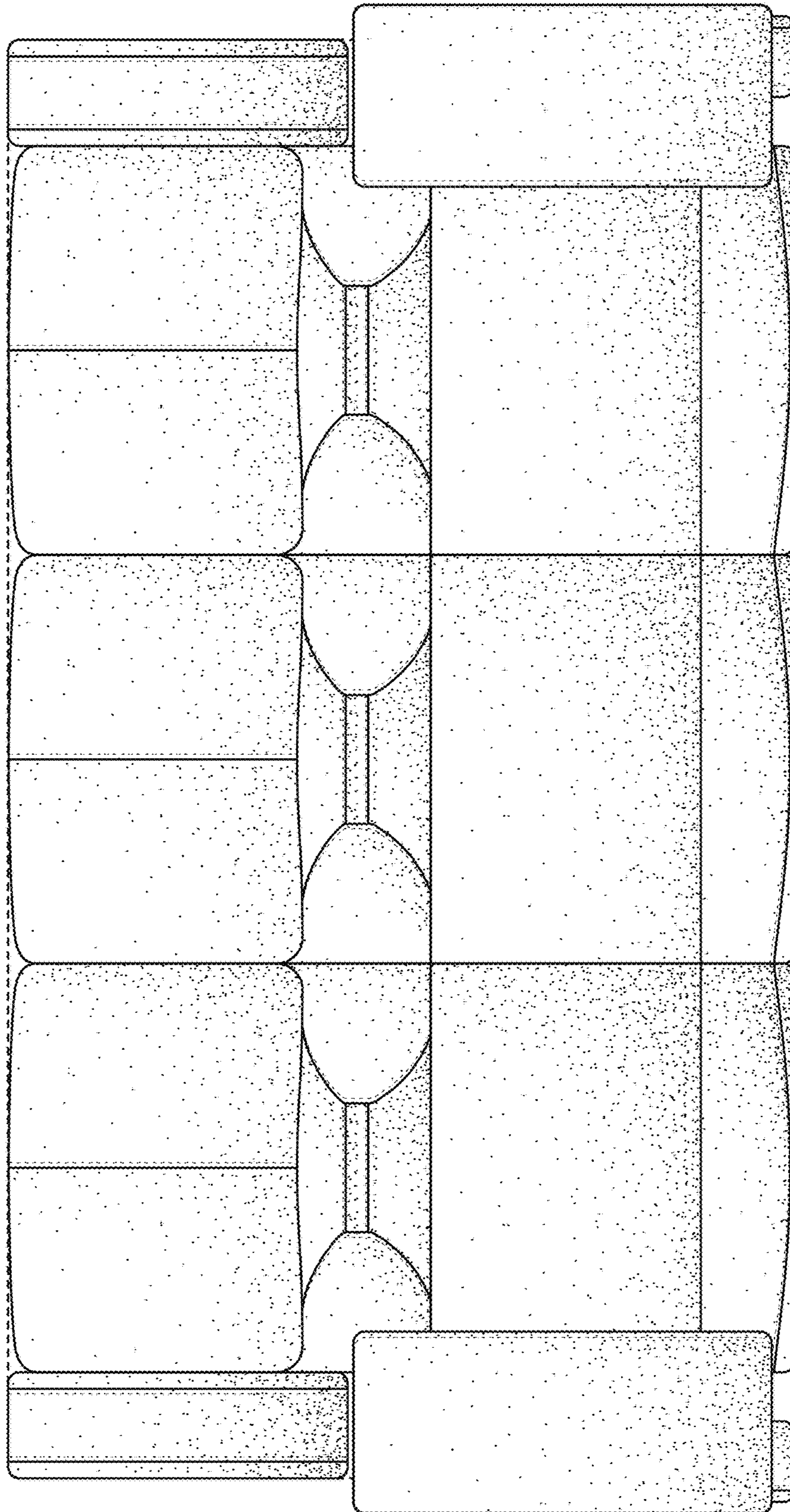


FIG. 5

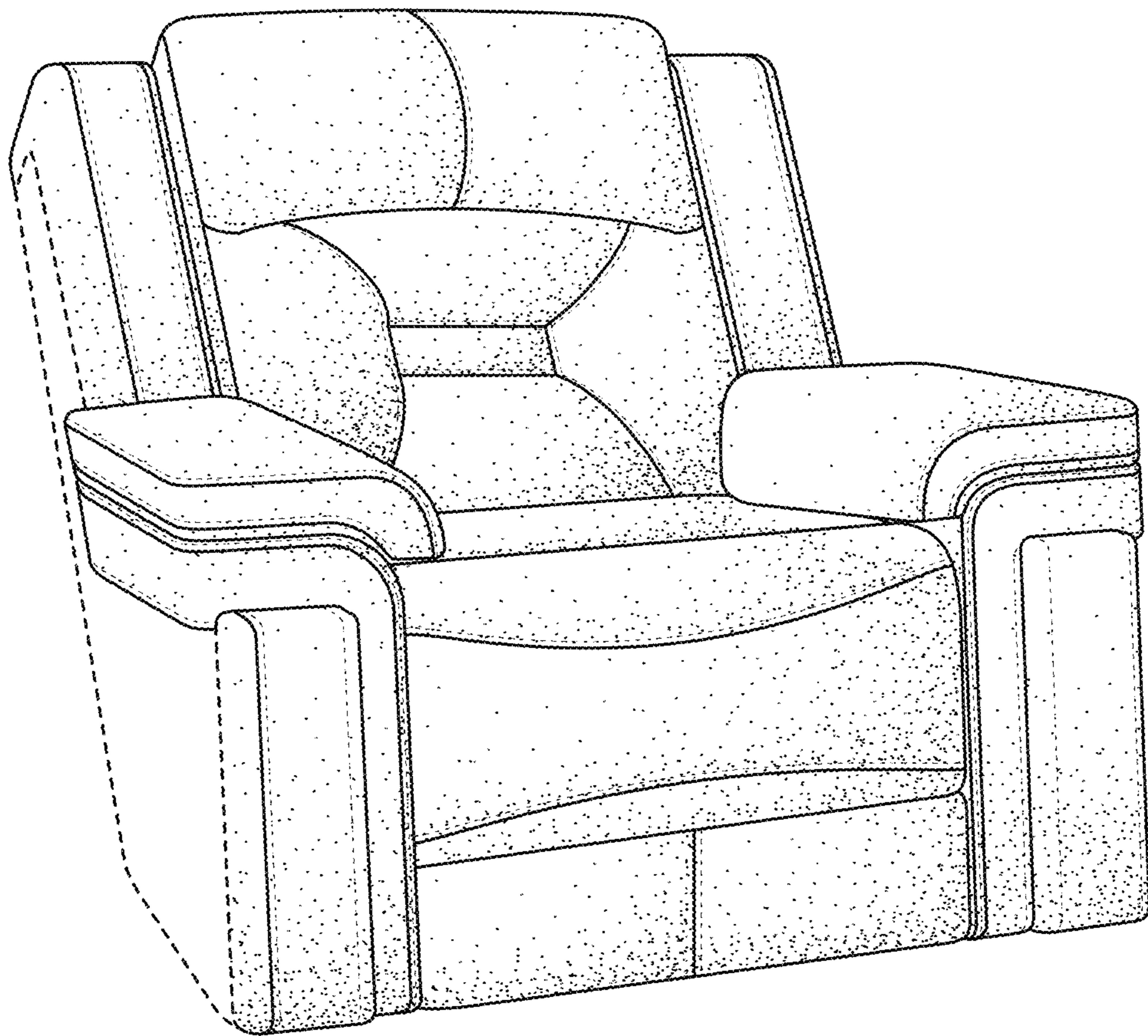


FIG. 6

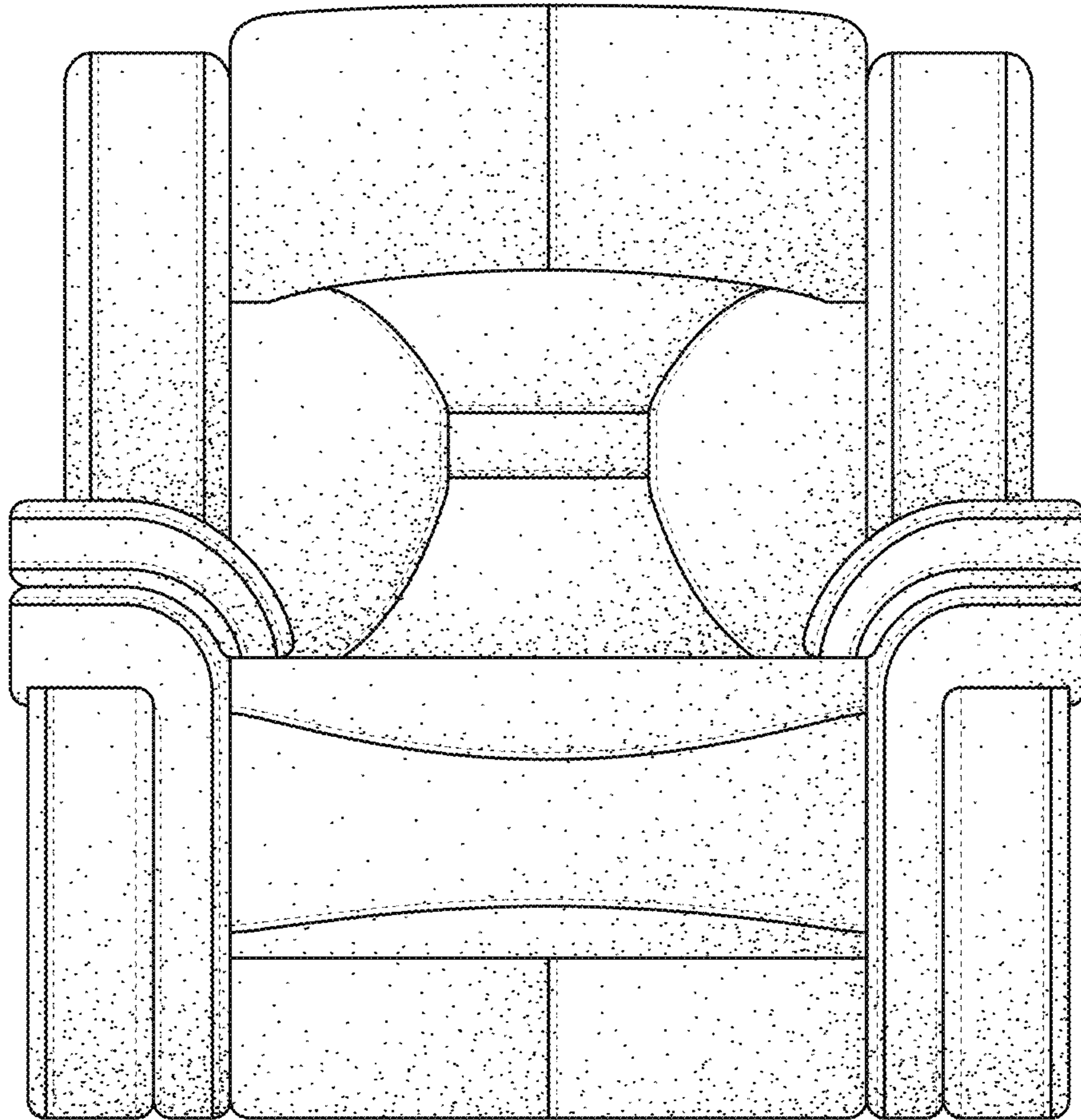


FIG. 7

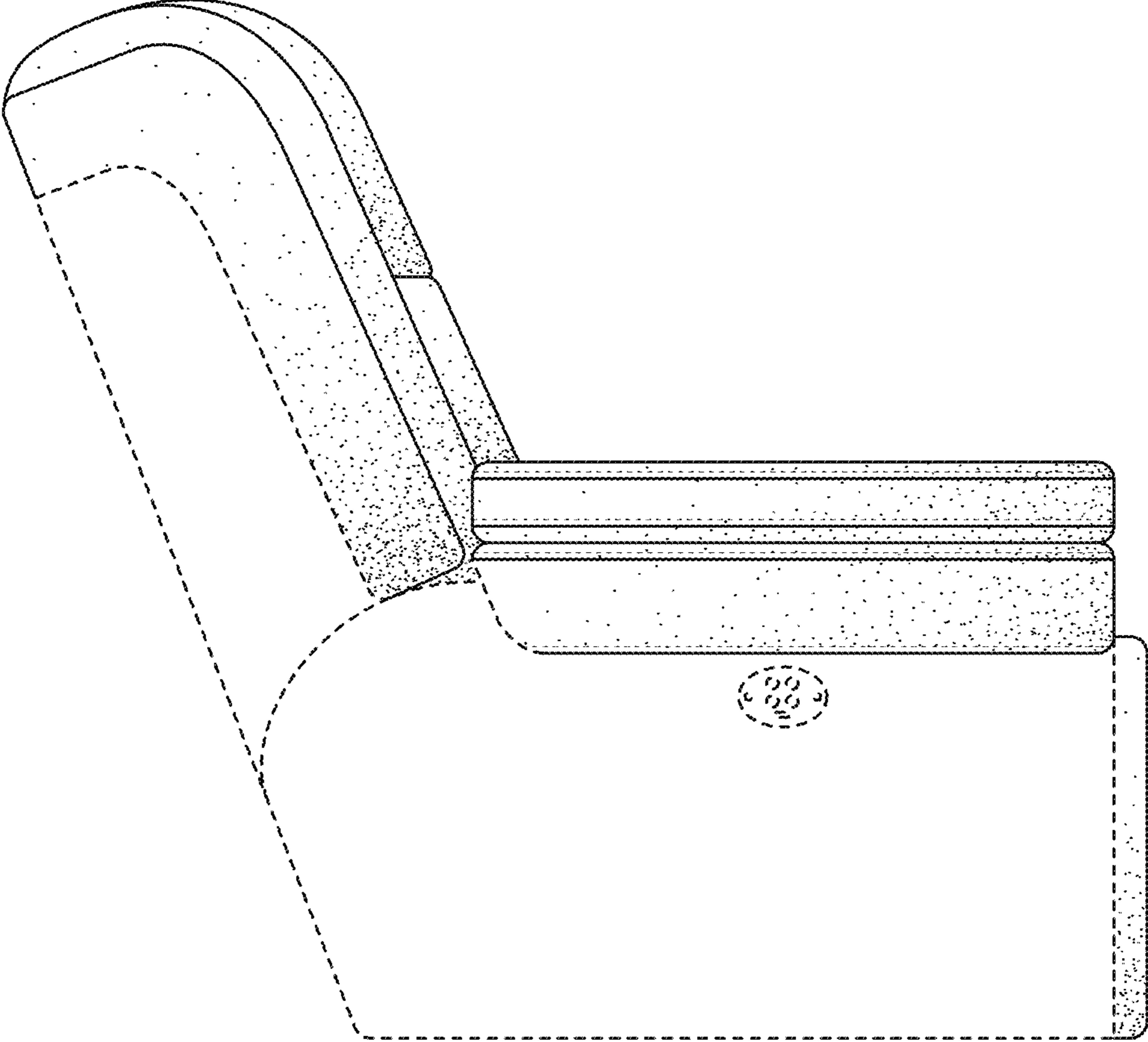


FIG. 8

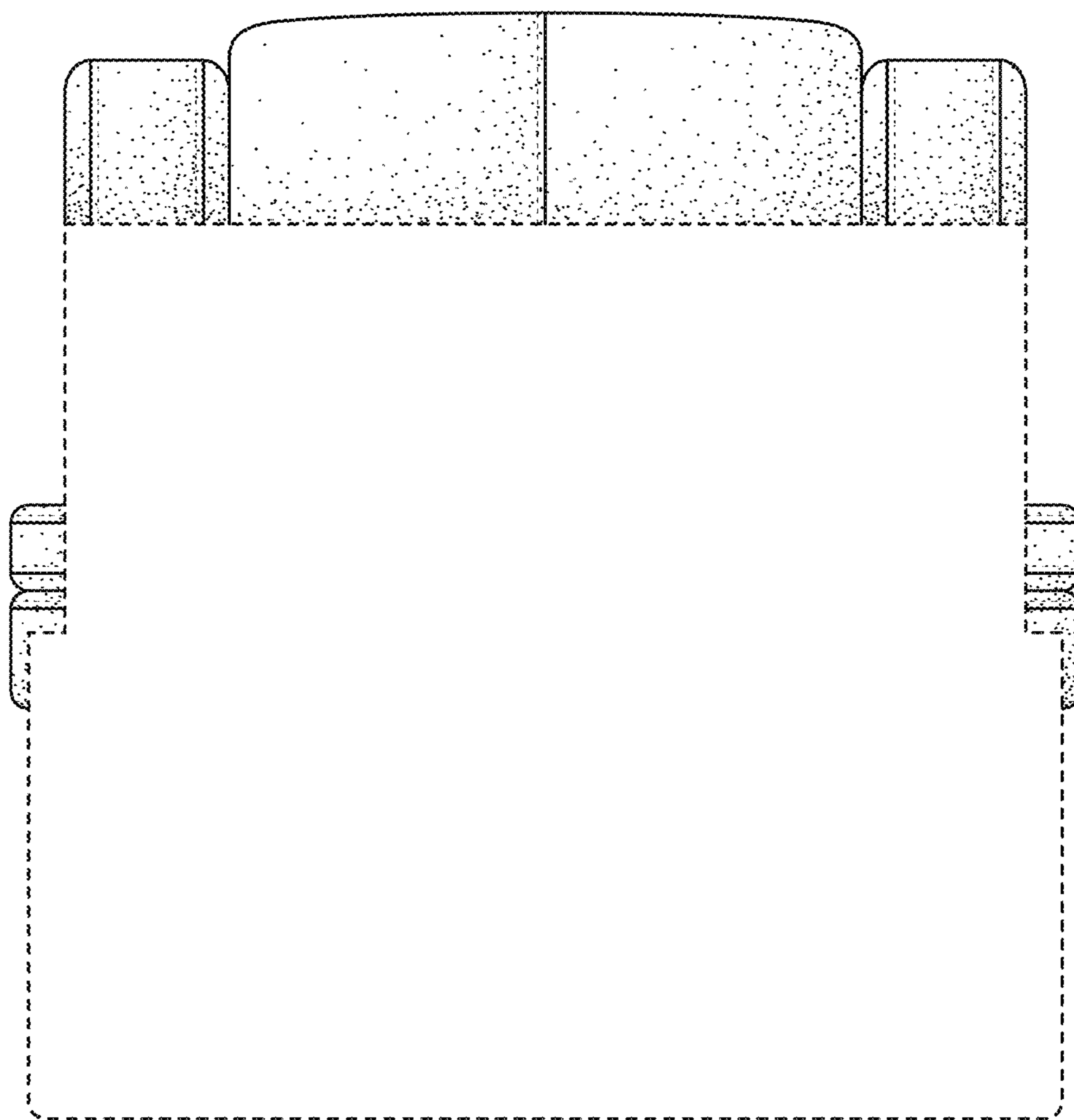


FIG. 9

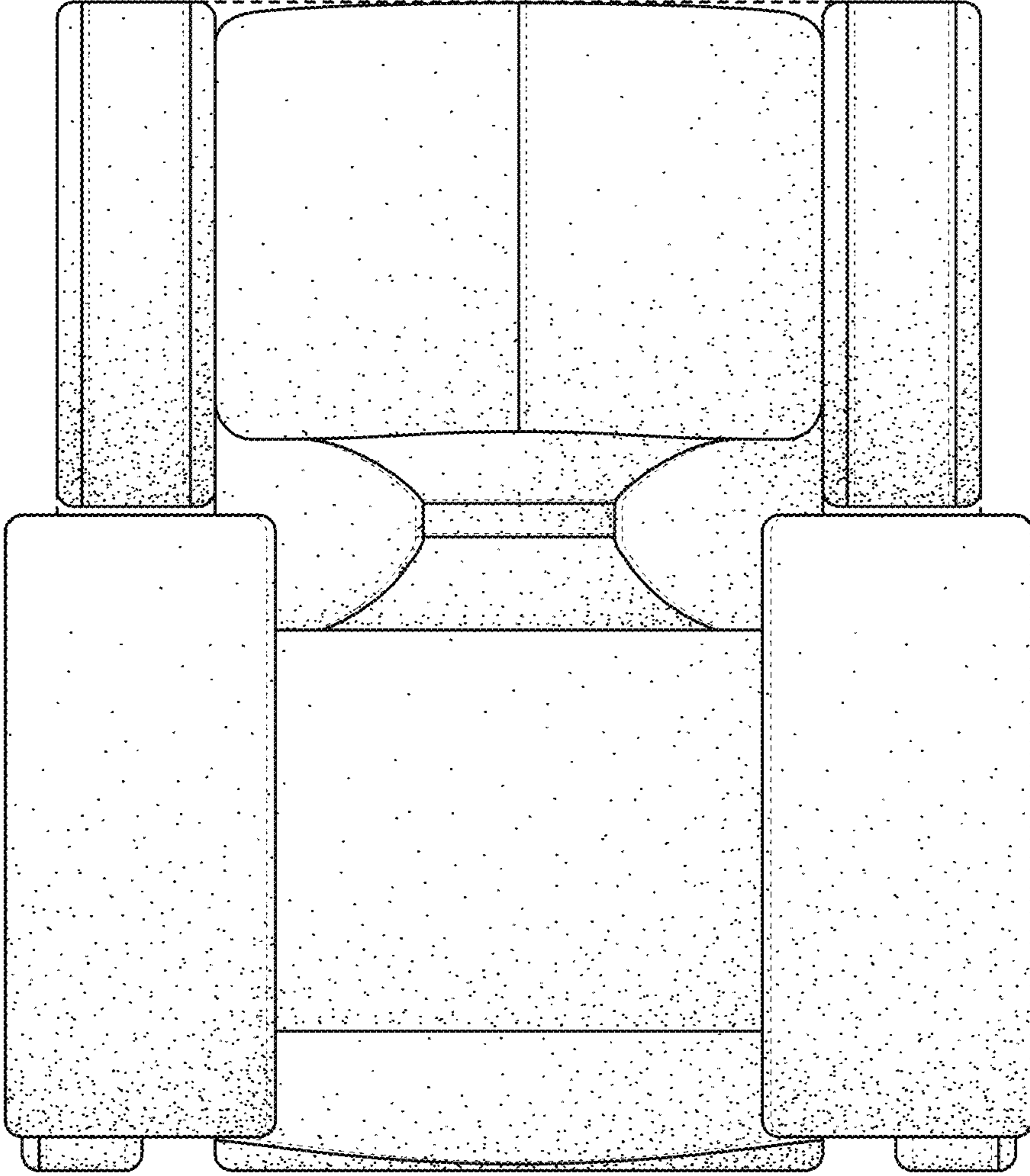


FIG. 10

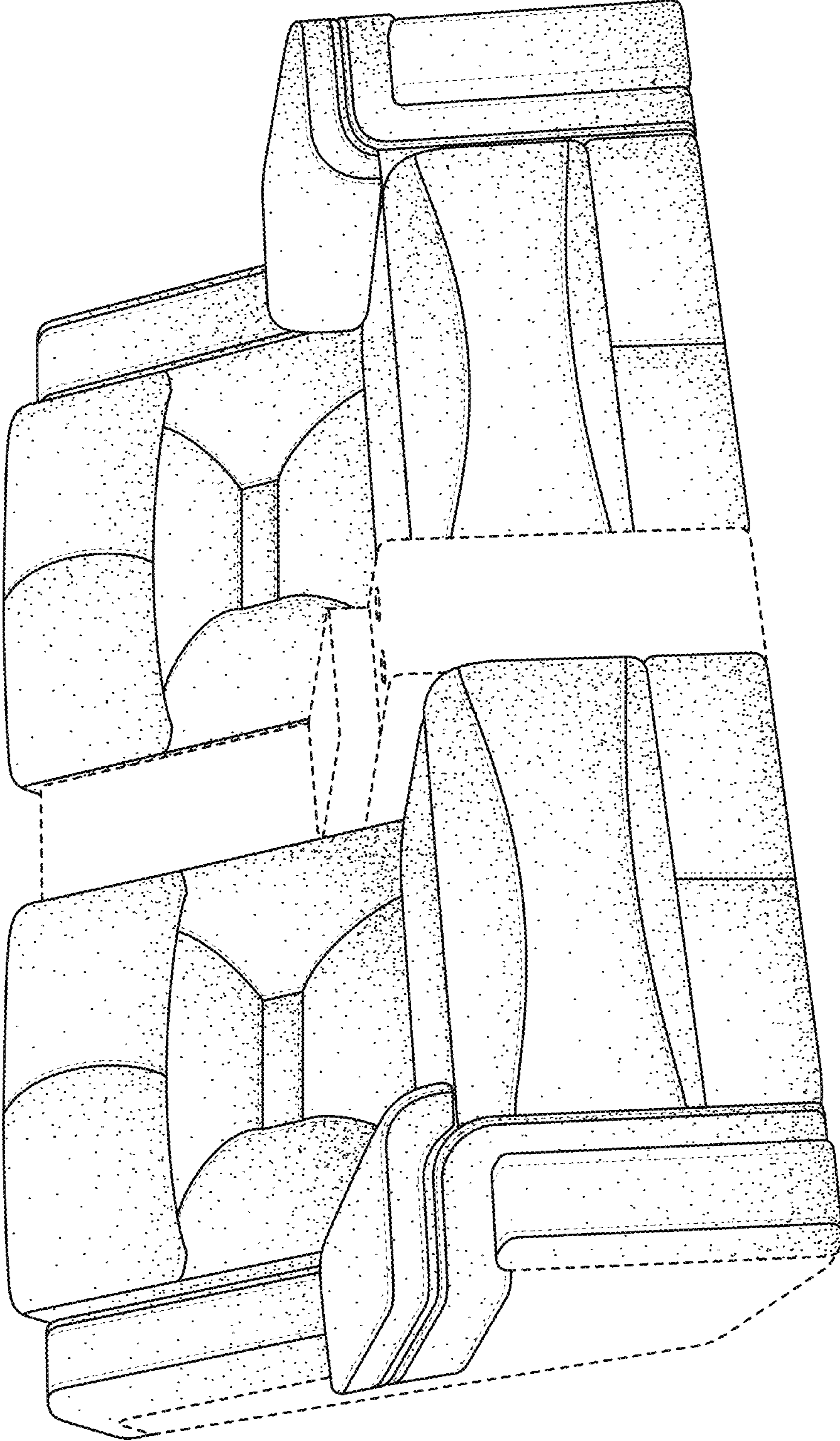


FIG. 11

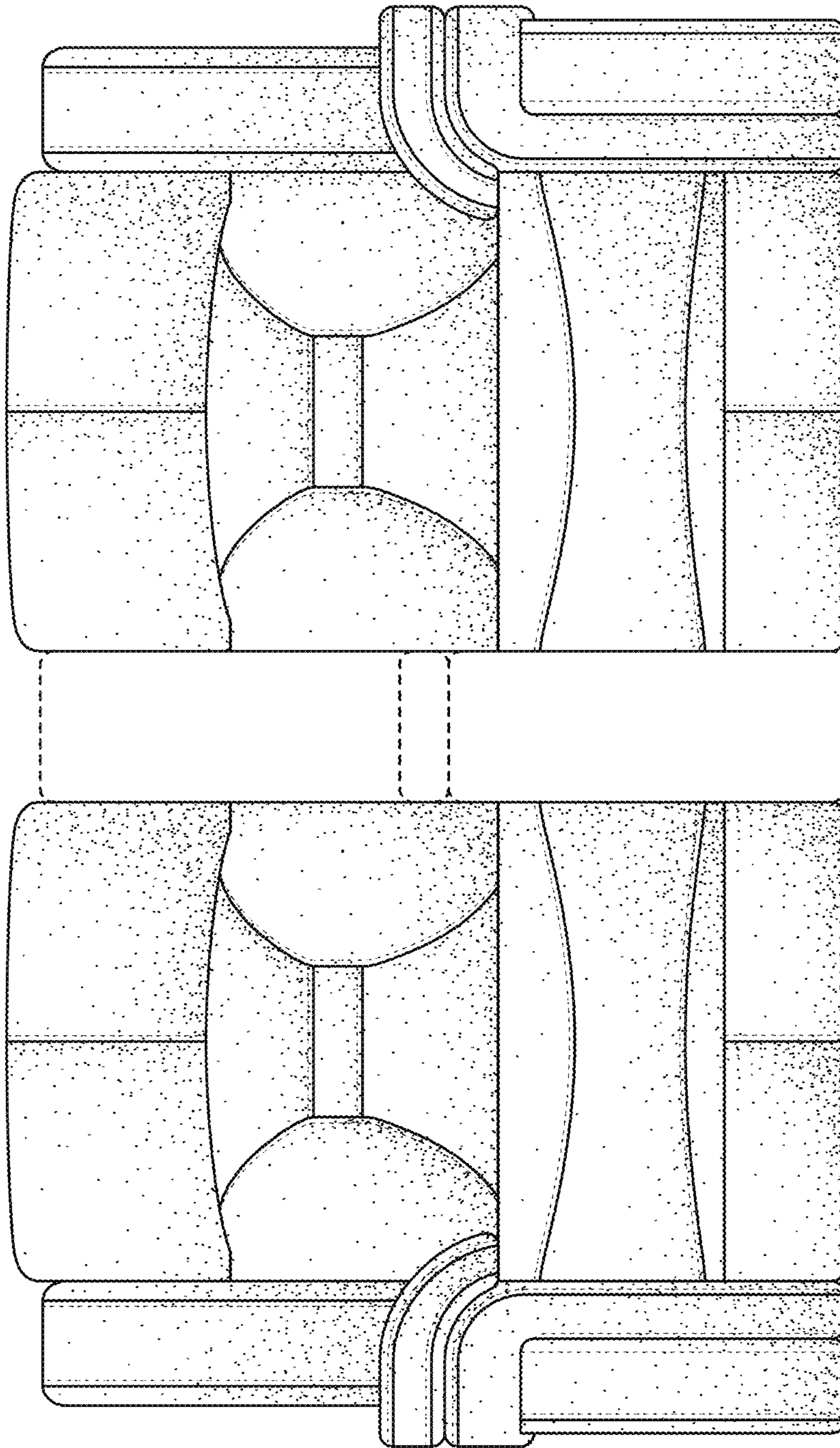


FIG. 12

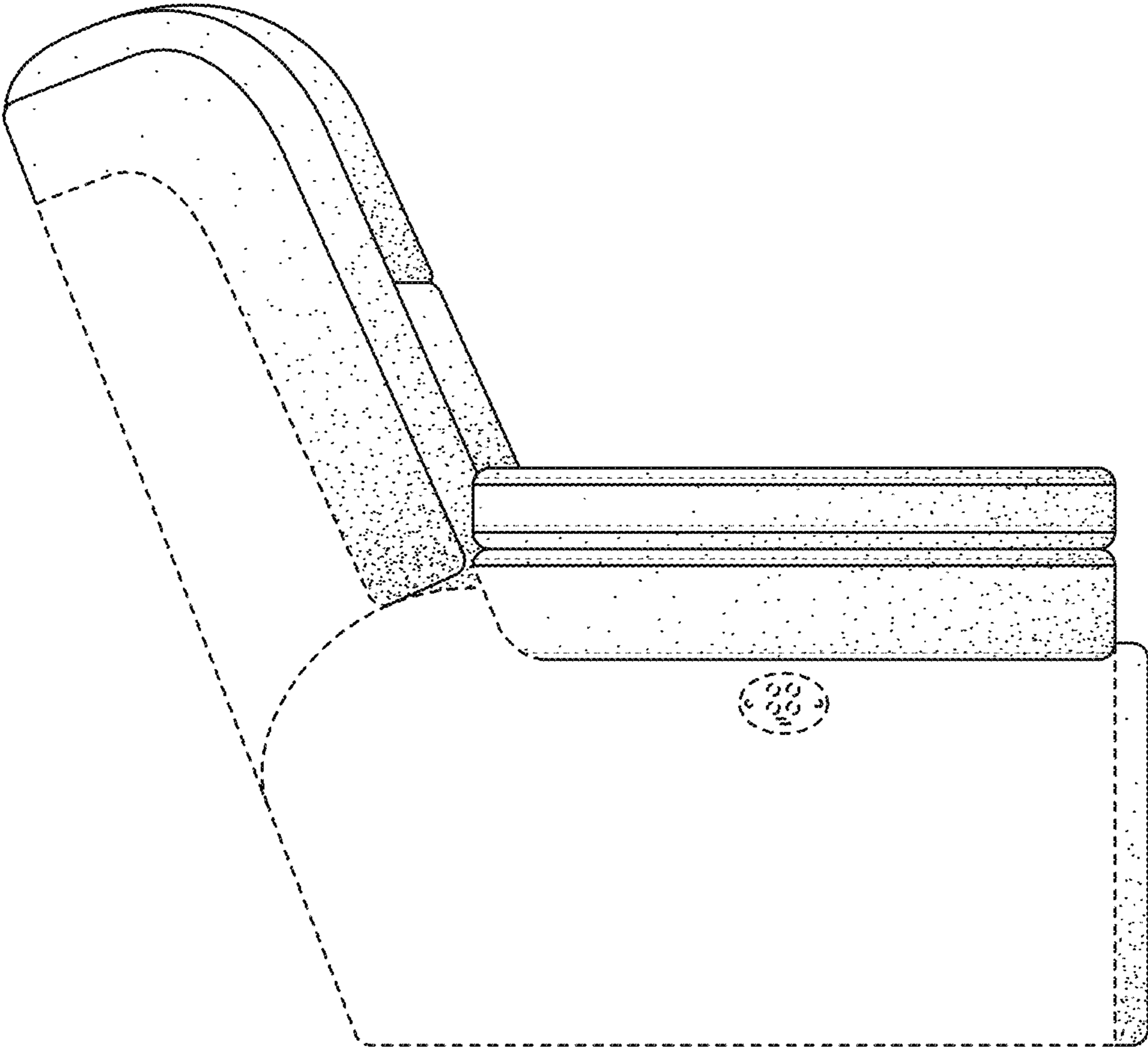


FIG. 13

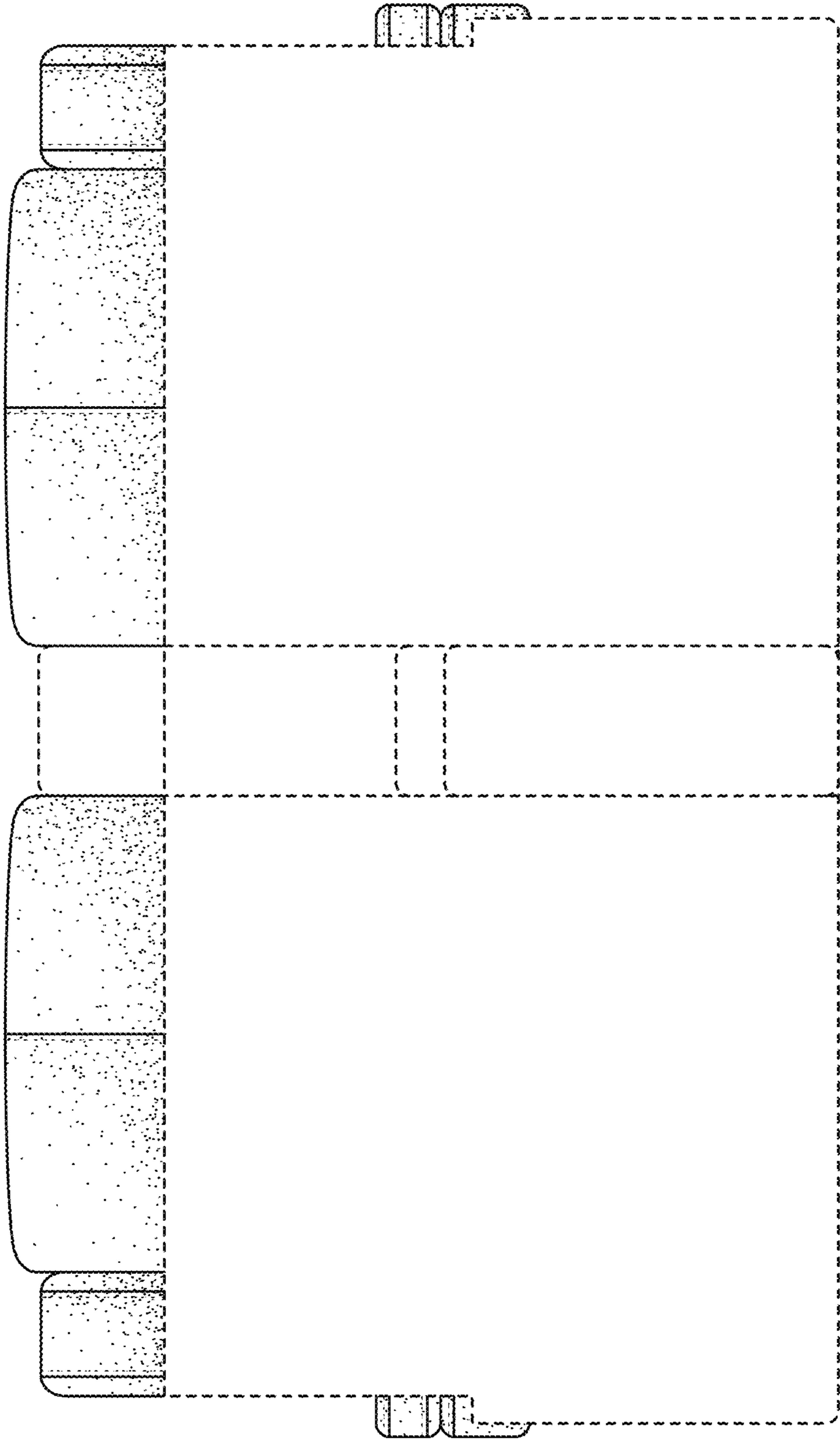


FIG. 14

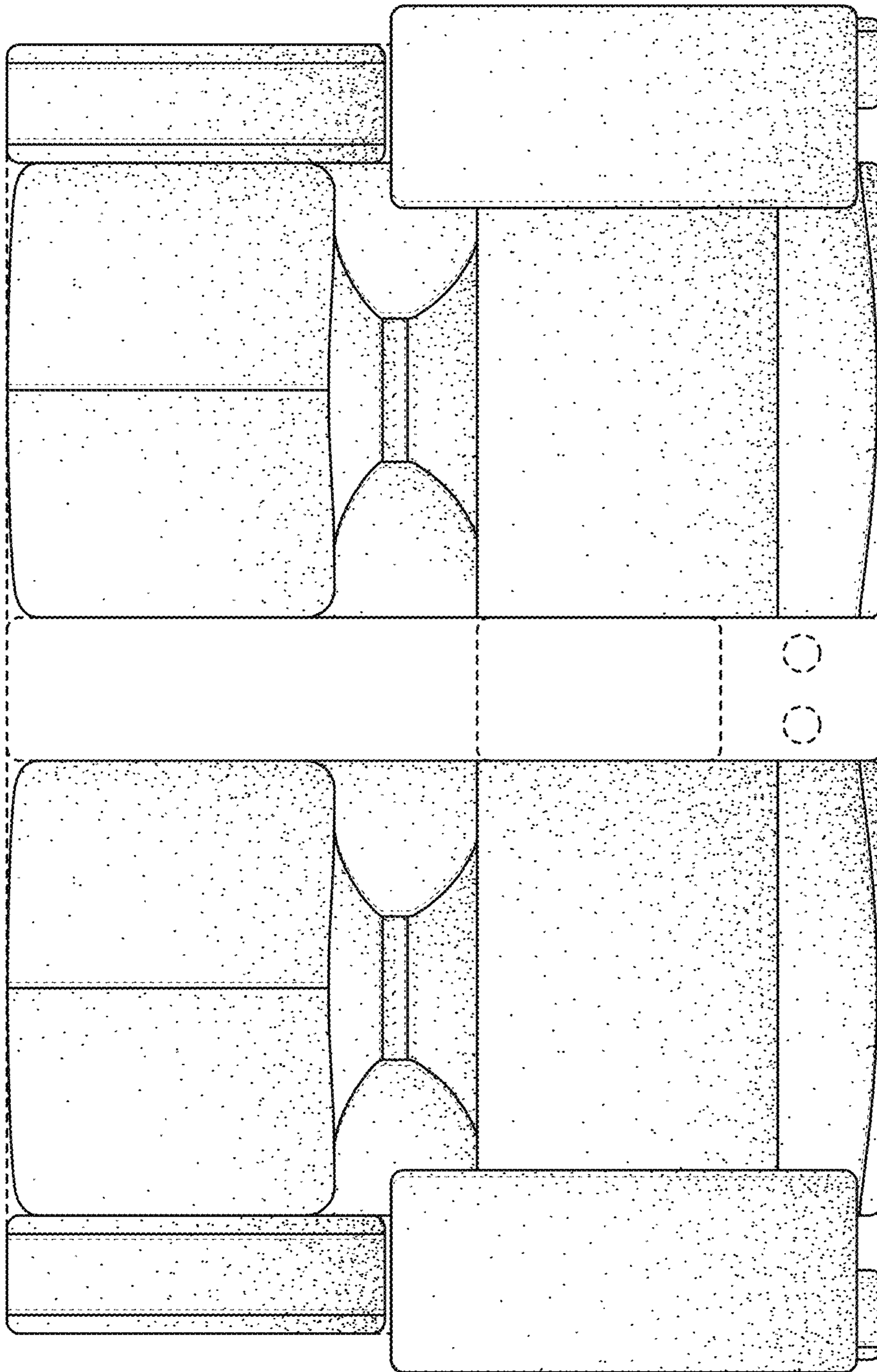


FIG. 15