



US00D787849S

(12) **United States Design Patent**
Lin

(10) **Patent No.:** **US D787,849 S**

(45) **Date of Patent:** **** *May 30, 2017**

(54) **STACKABLE CHAIR WITHOUT ARMREST**

(71) Applicant: **Zhuhai Shichang Metals Ltd., Zhuhai (CN)**

(72) Inventor: **ChenKang Lin, Kaonsiung (TW)**

(73) Assignee: **Zhuhai Shichang Metals Ltd., Zhuhai (CN)**

(*) Notice: This patent is subject to a terminal disclaimer.

(**) Term: **15 Years**

(21) Appl. No.: **29/553,483**

(22) Filed: **Feb. 2, 2016**

(51) **LOC (10) Cl.** **06-01**

(52) **U.S. Cl.**
USPC **D6/376; D6/380**

(58) **Field of Classification Search**
USPC D6/334-336, 374, 376, 379, 380, 716, D6/716.1, 716.2, 716.3, 716.4
CPC A47C 3/04; A47C 4/02; A47C 4/03; A47C 5/04; A47C 5/06; A47C 7/54
See application file for complete search history.

(56) **References Cited**

U.S. PATENT DOCUMENTS

D458,468 S *	6/2002	Levrangi	D6/380
D515,331 S *	2/2006	Piretti	D6/376
D645,272 S *	9/2011	Lissoni	D6/379
D673,395 S *	1/2013	Piretti	D6/376

D673,396 S *	1/2013	Piretti	D6/376
D684,393 S *	6/2013	Gan	D6/376
D688,058 S *	8/2013	Mascetti	D6/376
D752,894 S *	4/2016	Tiet	D6/380
D765,435 S *	9/2016	Hayon	D6/376
D770,193 S *	11/2016	Duvigneau	D6/379

* cited by examiner

Primary Examiner — Mimoso De

(74) *Attorney, Agent, or Firm* — Luedeka Neely Group PC

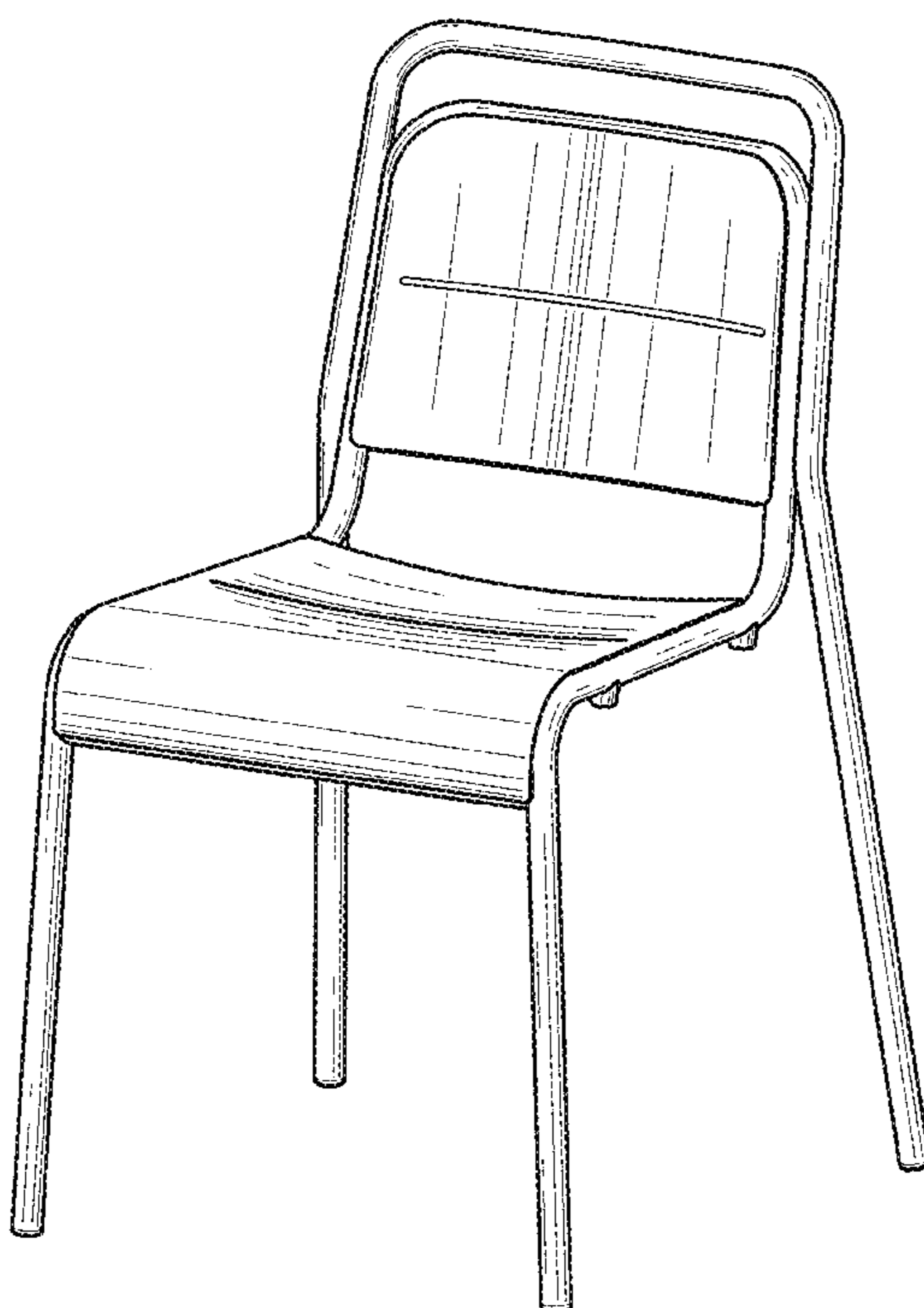
(57) **CLAIM**

The ornamental design for a stackable chair without armrest, as shown and described.

DESCRIPTION

FIG. 1 is a top perspective view of the stackable chair without armrest;
 FIG. 2 is a bottom perspective view of the stackable chair without armrest;
 FIG. 3 is a top plan view of the stackable chair without armrest;
 FIG. 4 is a bottom plan view of the stackable chair without armrest;
 FIG. 5 is a front elevation view of the stackable chair without armrest;
 FIG. 6 is a rear elevation view of the stackable chair without armrest;
 FIG. 7 is a right side elevation view of the stackable chair without armrest; and,
 FIG. 8 is a left side elevation view of the stackable chair without armrest.

1 Claim, 8 Drawing Sheets



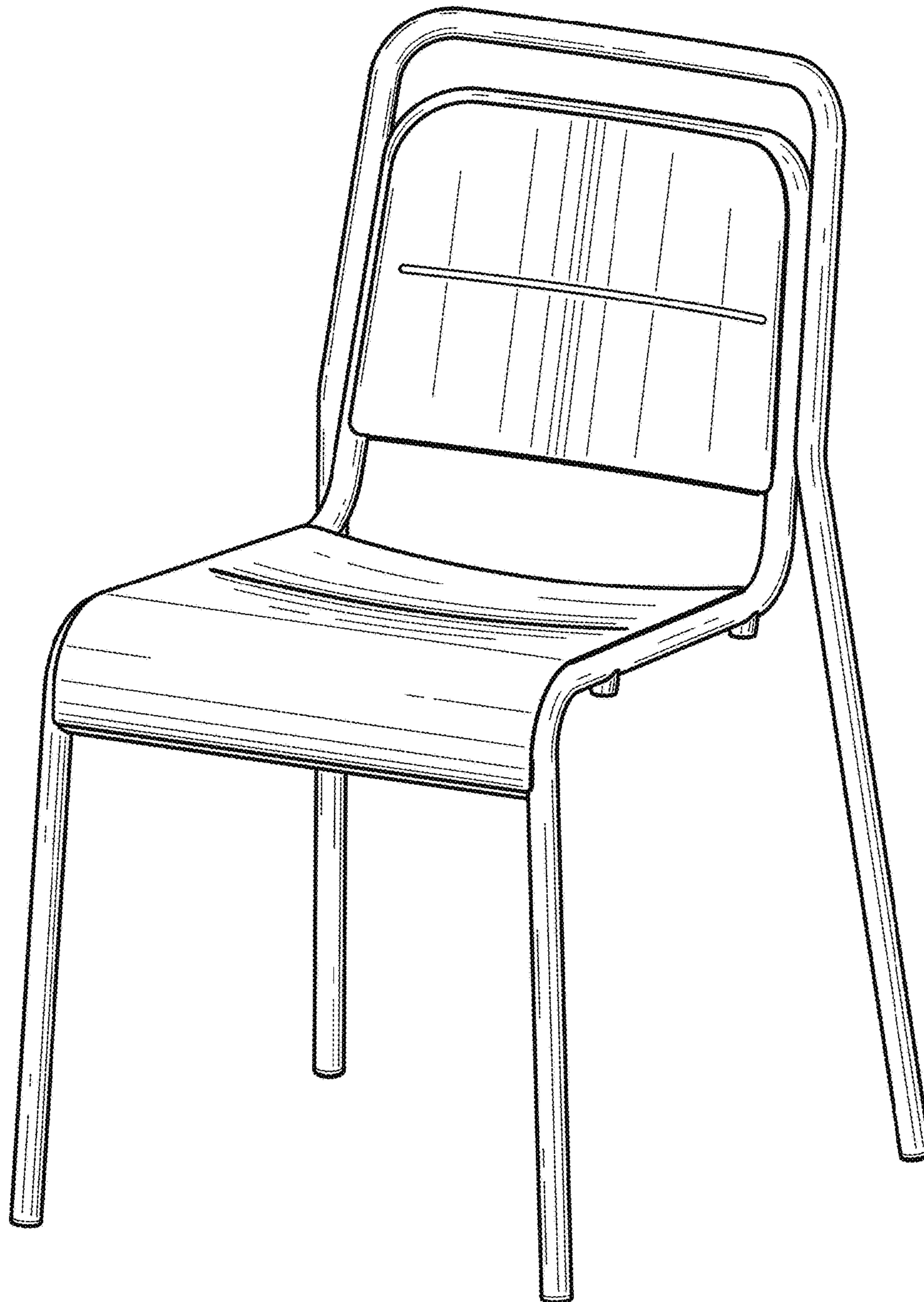


FIG. 1

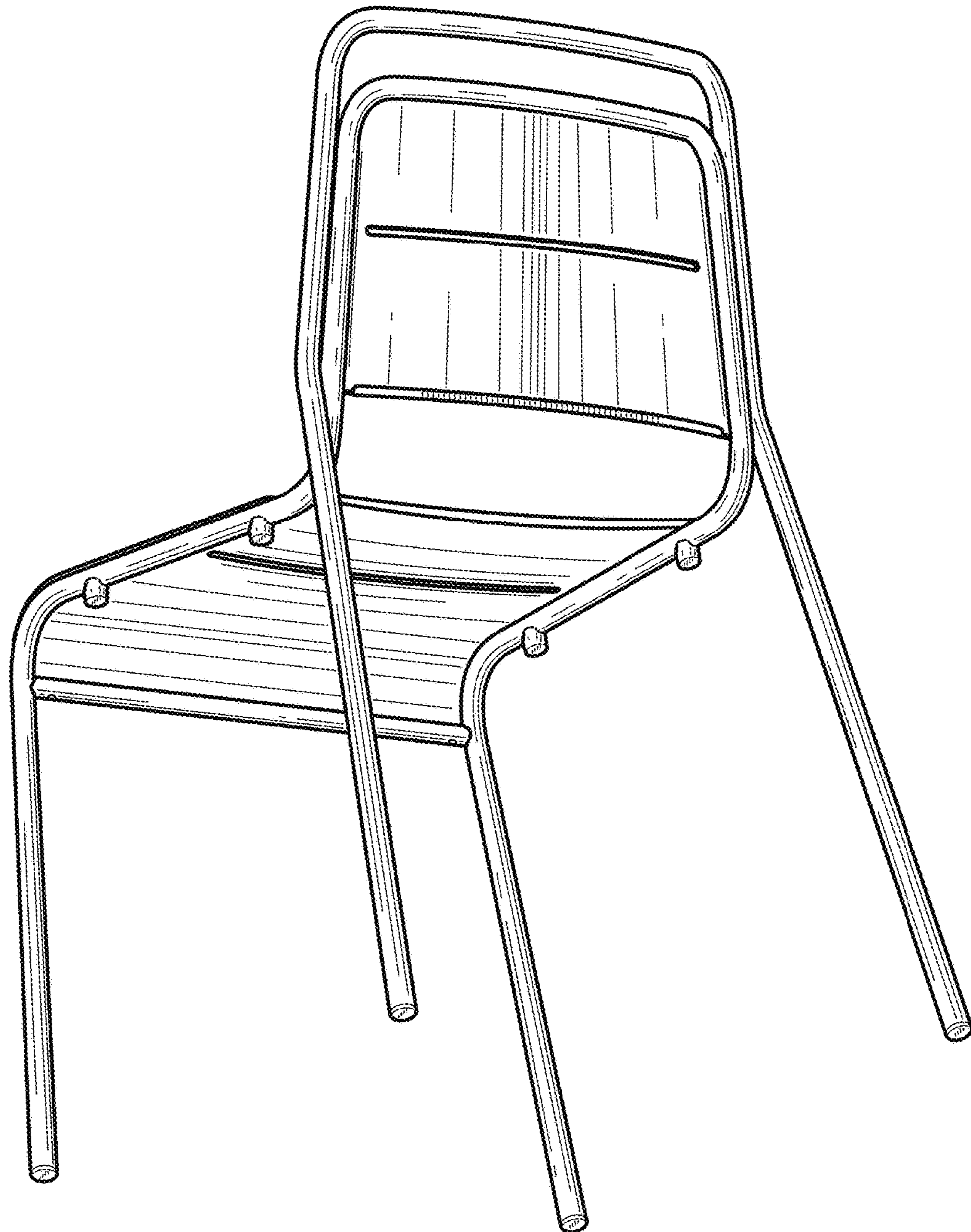


FIG. 2

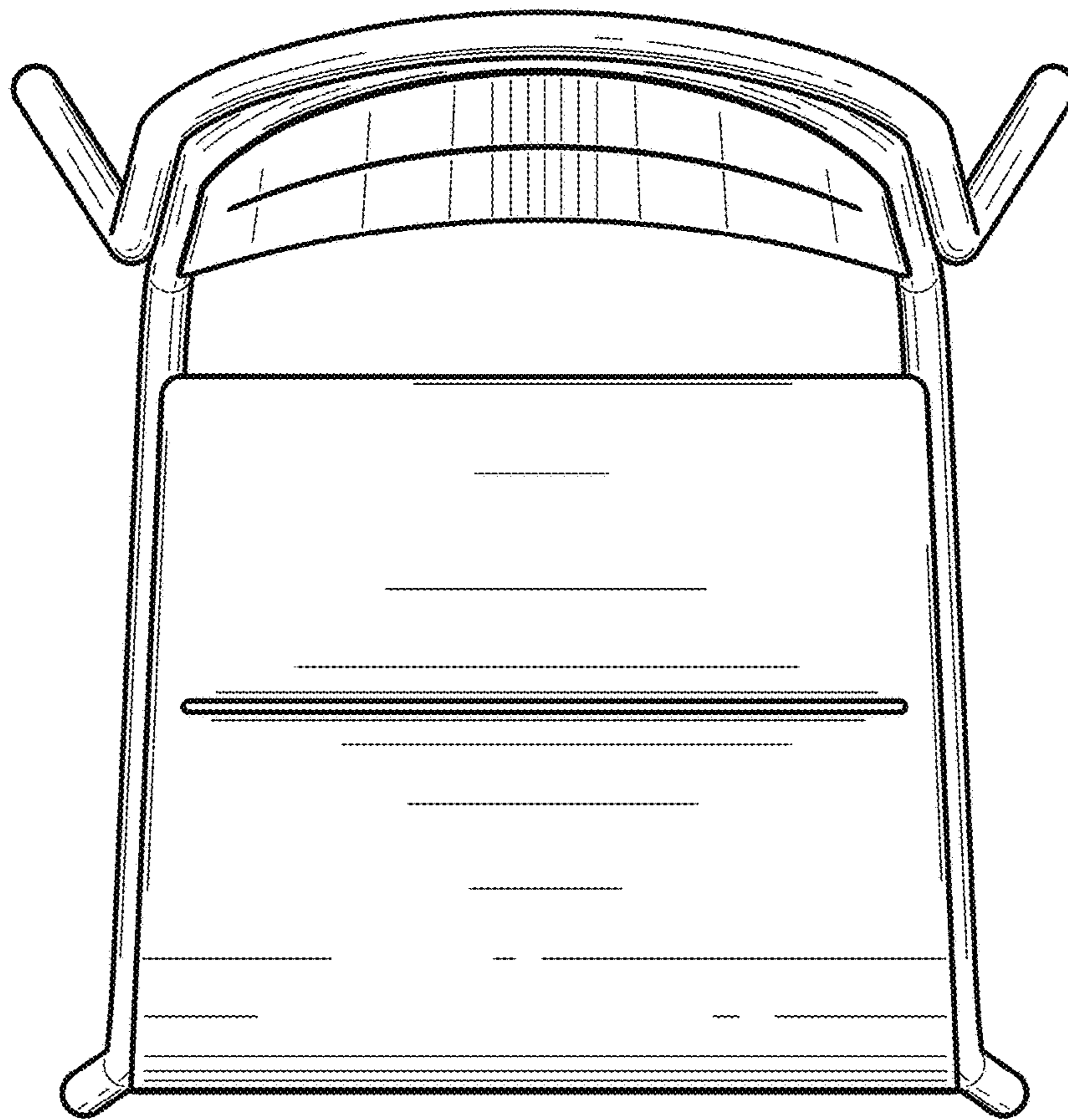


FIG. 3

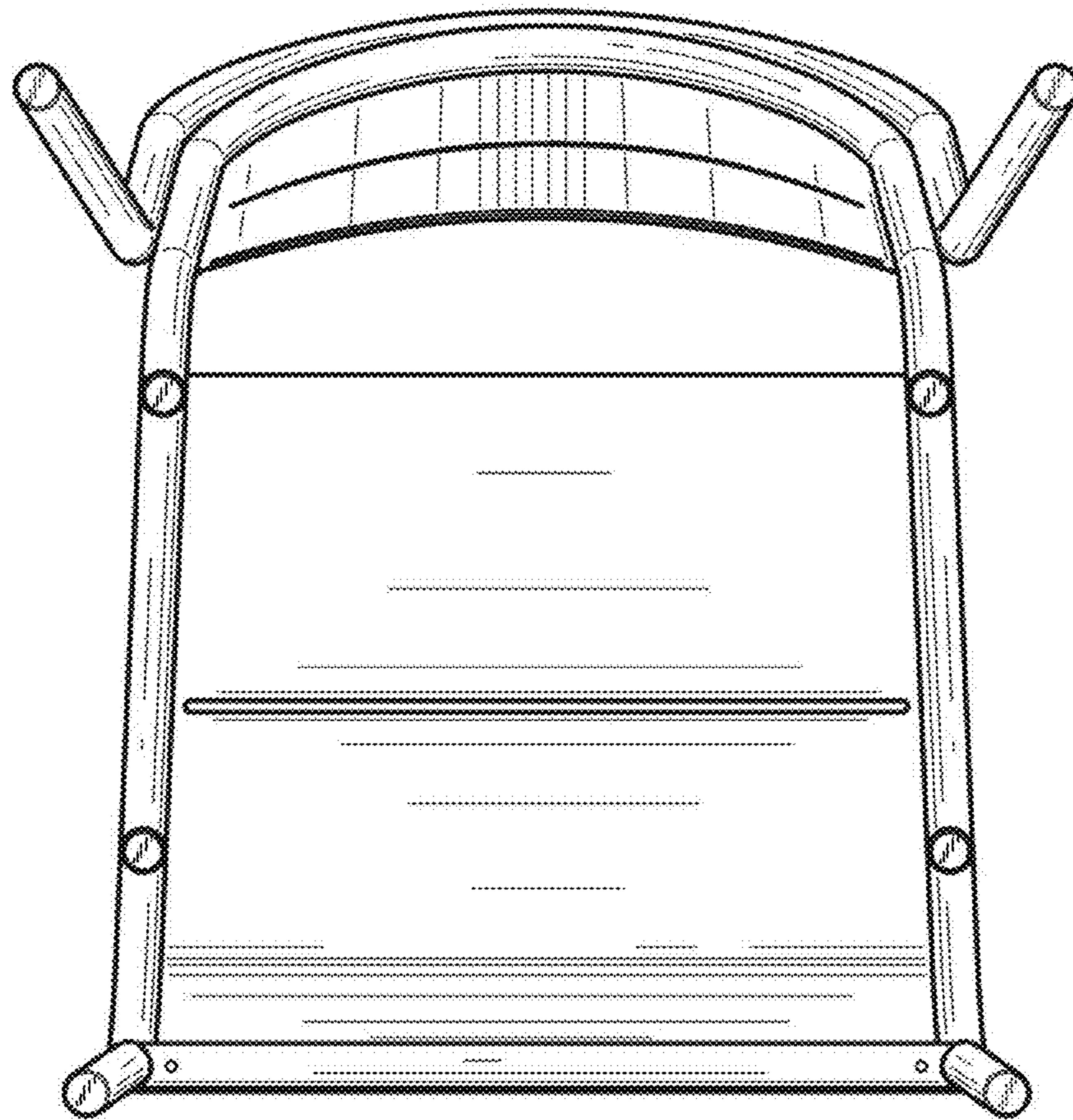


FIG. 4

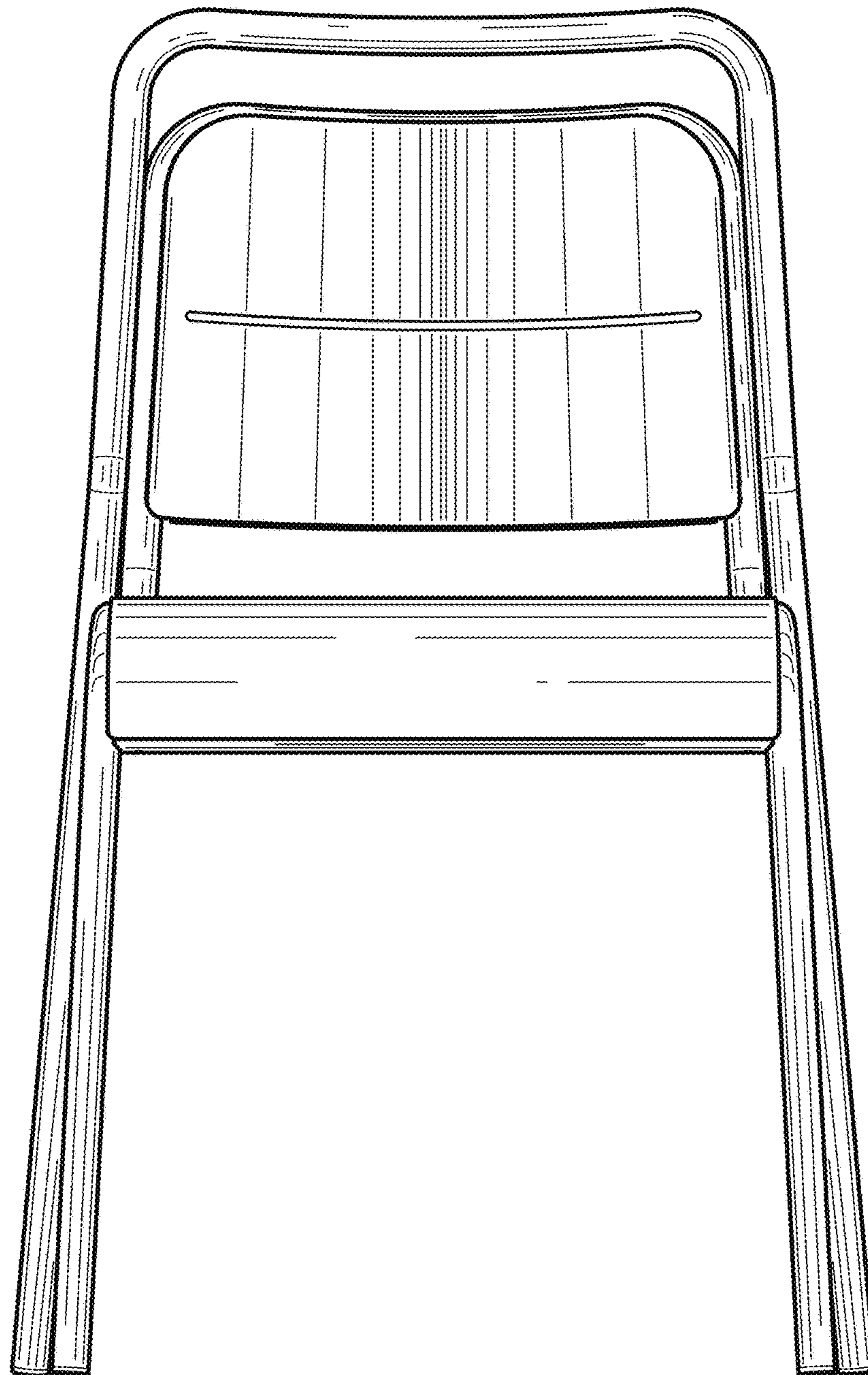


FIG. 5

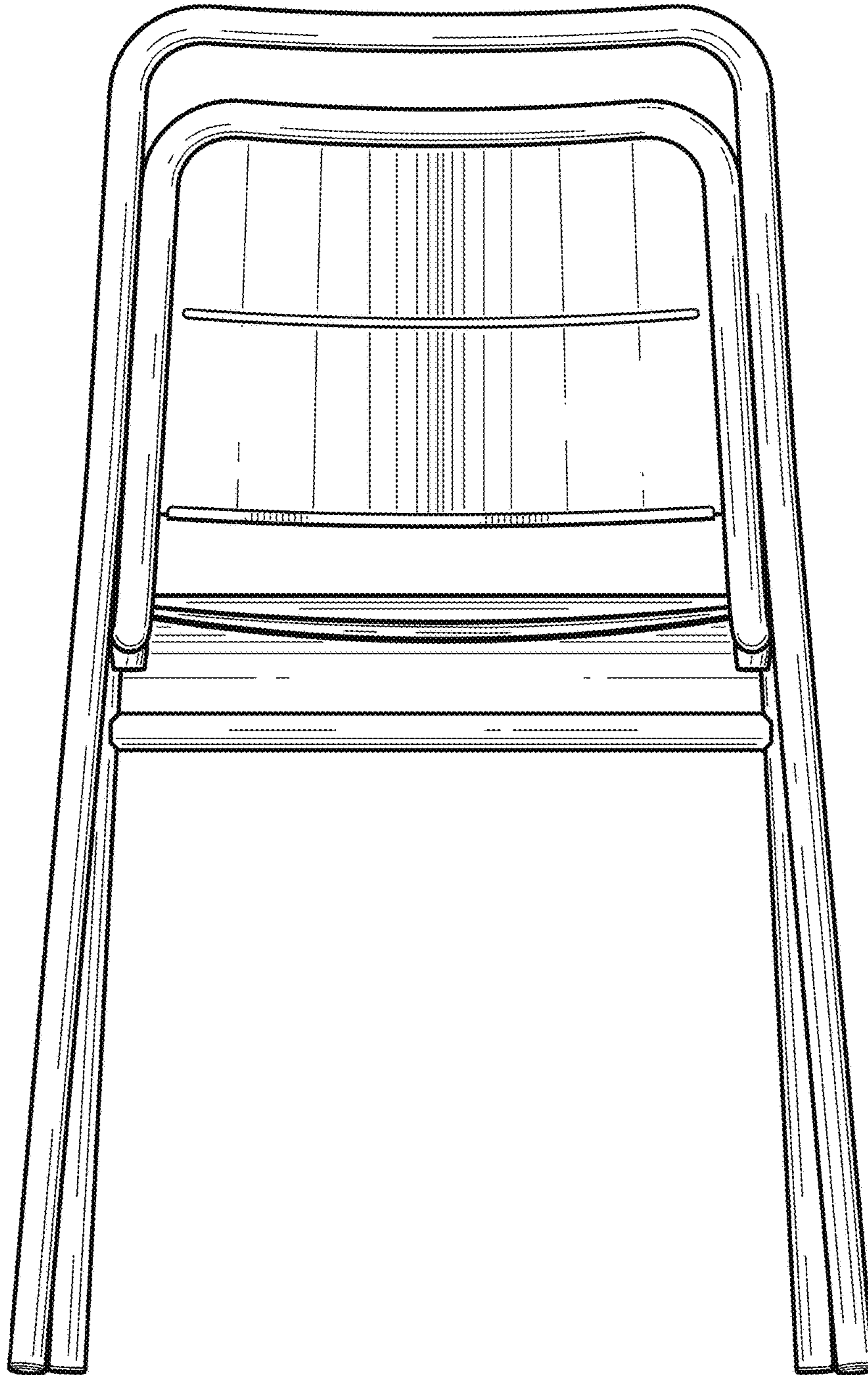


FIG. 6

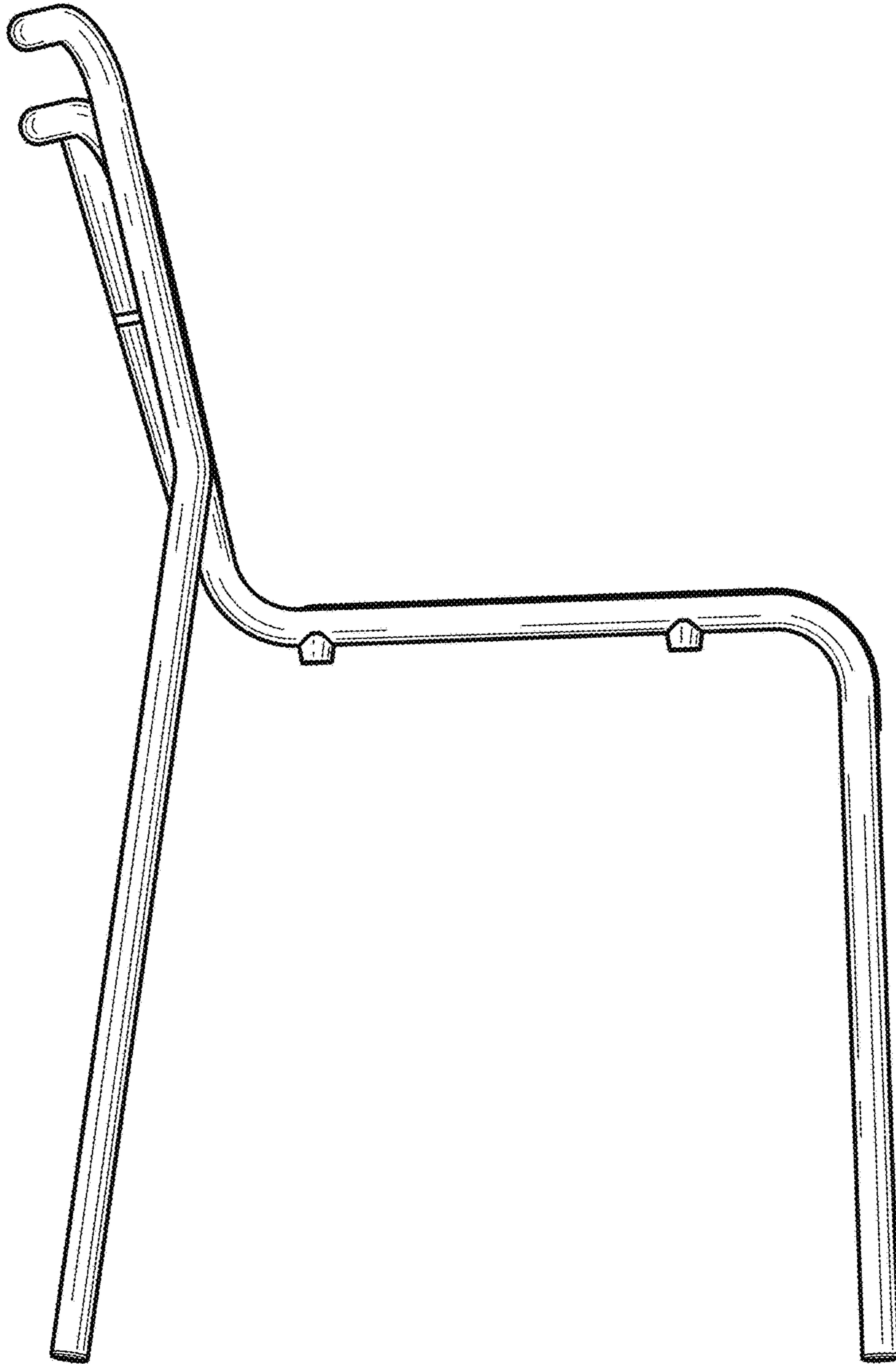


FIG. 7

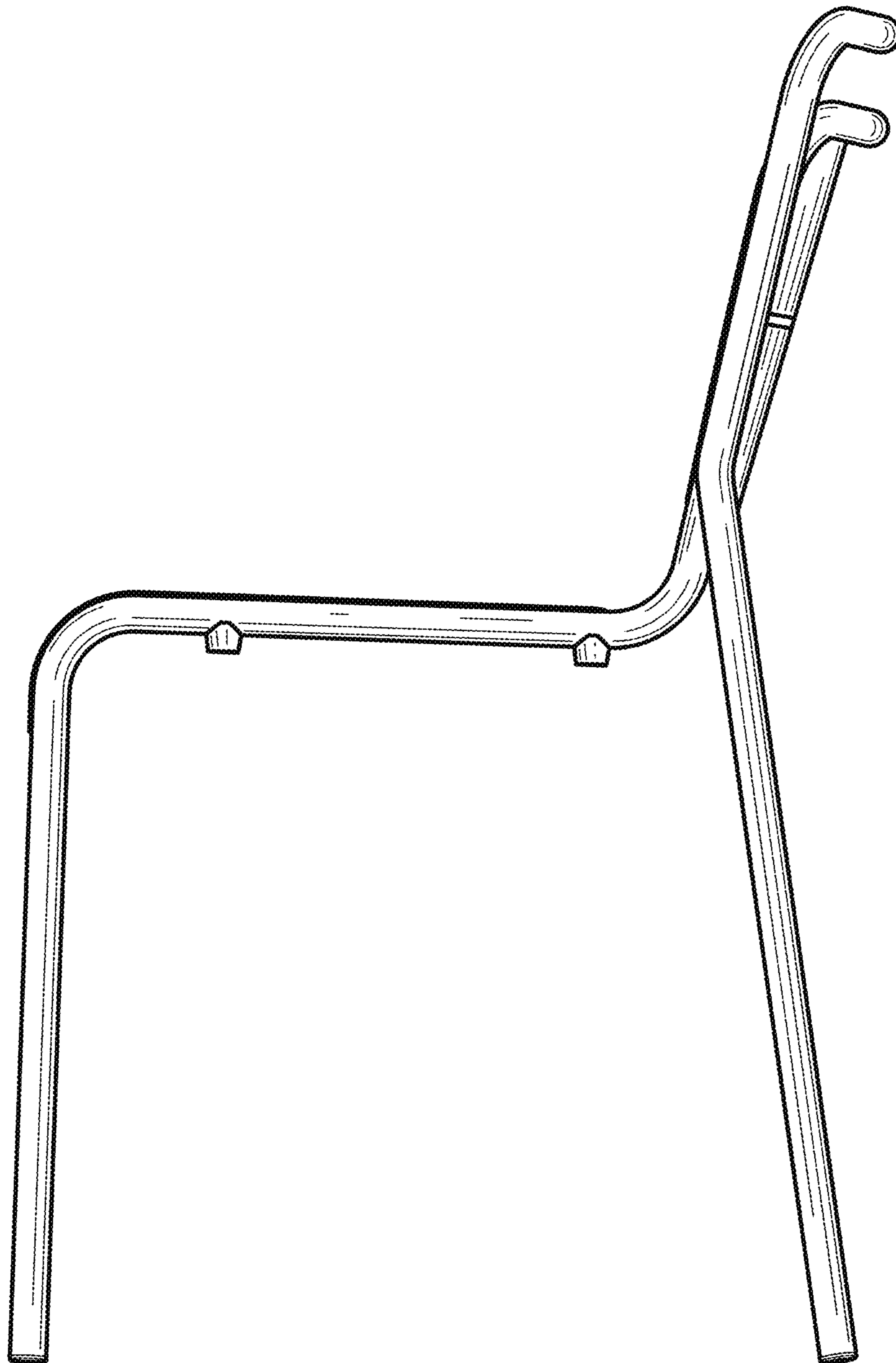


FIG. 8