



US00D787846S

(12) **United States Design Patent**
Naik

(10) **Patent No.:** **US D787,846 S**

(45) **Date of Patent:** **** May 30, 2017**

(54) **STOOL FOR USE WITH A TOILET**

9,307,879 B2 * 4/2016 Fagre A47K 17/028
D767,291 S * 9/2016 Edwards D6/353

(71) Applicant: **NadiaLabs, Inc.**, Sunnyvale, CA (US)

* cited by examiner

(72) Inventor: **Tikeswar Naik**, Sunnyvale, CA (US)

Primary Examiner — Robert Delehanty

(73) Assignee: **NadiaLabs, Inc.**, Sunnyvale, CA (US)

(74) *Attorney, Agent, or Firm* — Bachmann Law Group

(**) Term: **15 Years**

(57) **CLAIM**

(21) Appl. No.: **29/568,675**

I claim the ornamental design for a stool for use with a toilet,
as shown and described.

(22) Filed: **Jun. 20, 2016**

DESCRIPTION

(51) **LOC (10) Cl.** **06-01**

(52) **U.S. Cl.**
USPC **D6/353**

(58) **Field of Classification Search**
USPC D23/303, 309; D6/349, 353
CPC A47K 16/02; A47K 16/06; A47K 16/025;
A47K 17/028
See application file for complete search history.

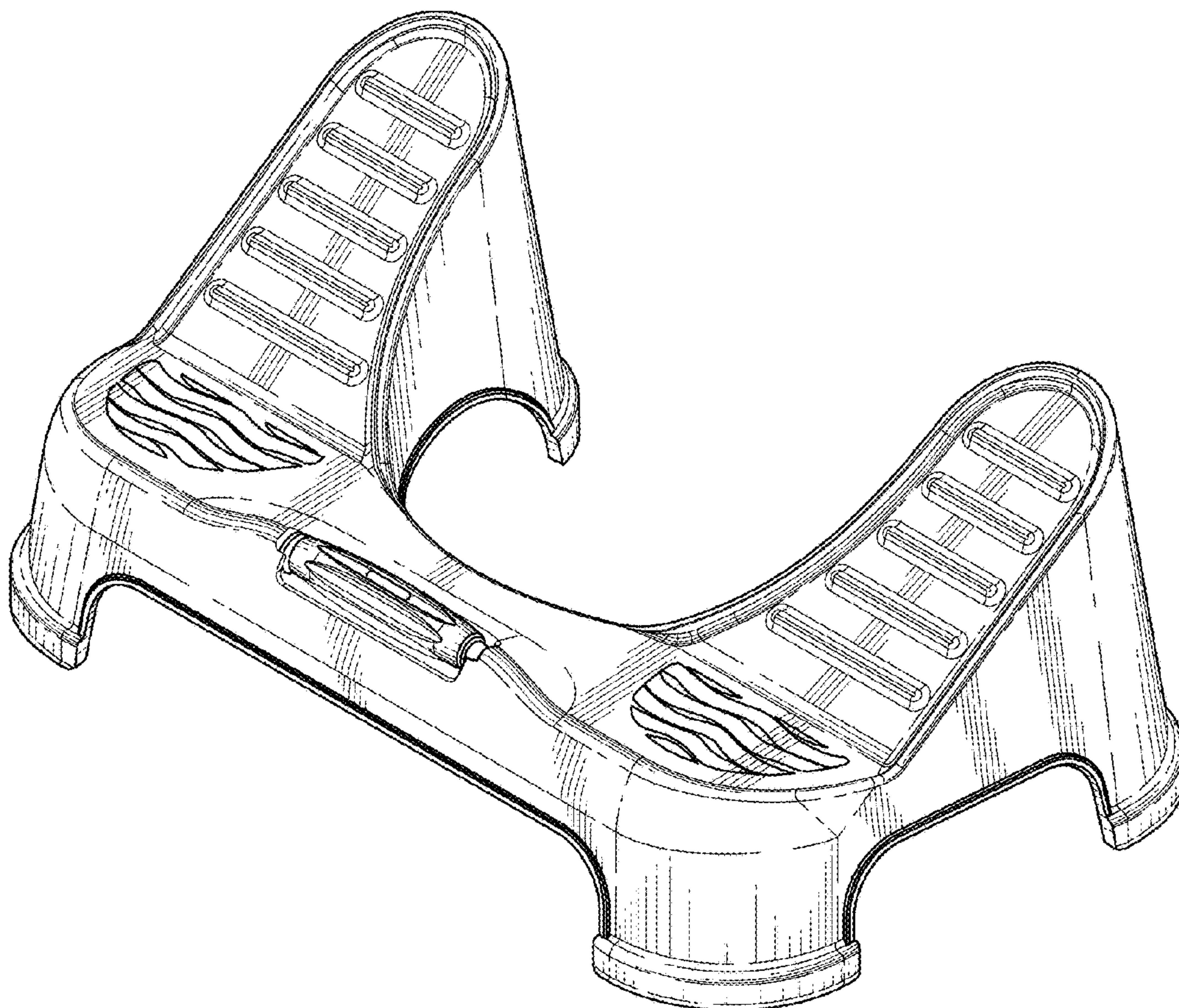
FIG. 1 is a front perspective view of a stool for use with a
toilet according to the present design.
FIG. 2 is a front view of the stool for use with a toilet of FIG.
1.
FIG. 3 is a rear view of the stool for use with a toilet
according to FIG. 1.
FIG. 4 is a left side view of the stool for use with a toilet of
FIG. 1.
FIG. 5 is a right side view of the stool for use with a toilet
of FIG. 1; and,
FIG. 6 is a top view of the stool for use with a toilet of FIG.
1.

(56) **References Cited**

U.S. PATENT DOCUMENTS

9,066,598 B1 * 6/2015 Sears A47C 16/02

1 Claim, 4 Drawing Sheets



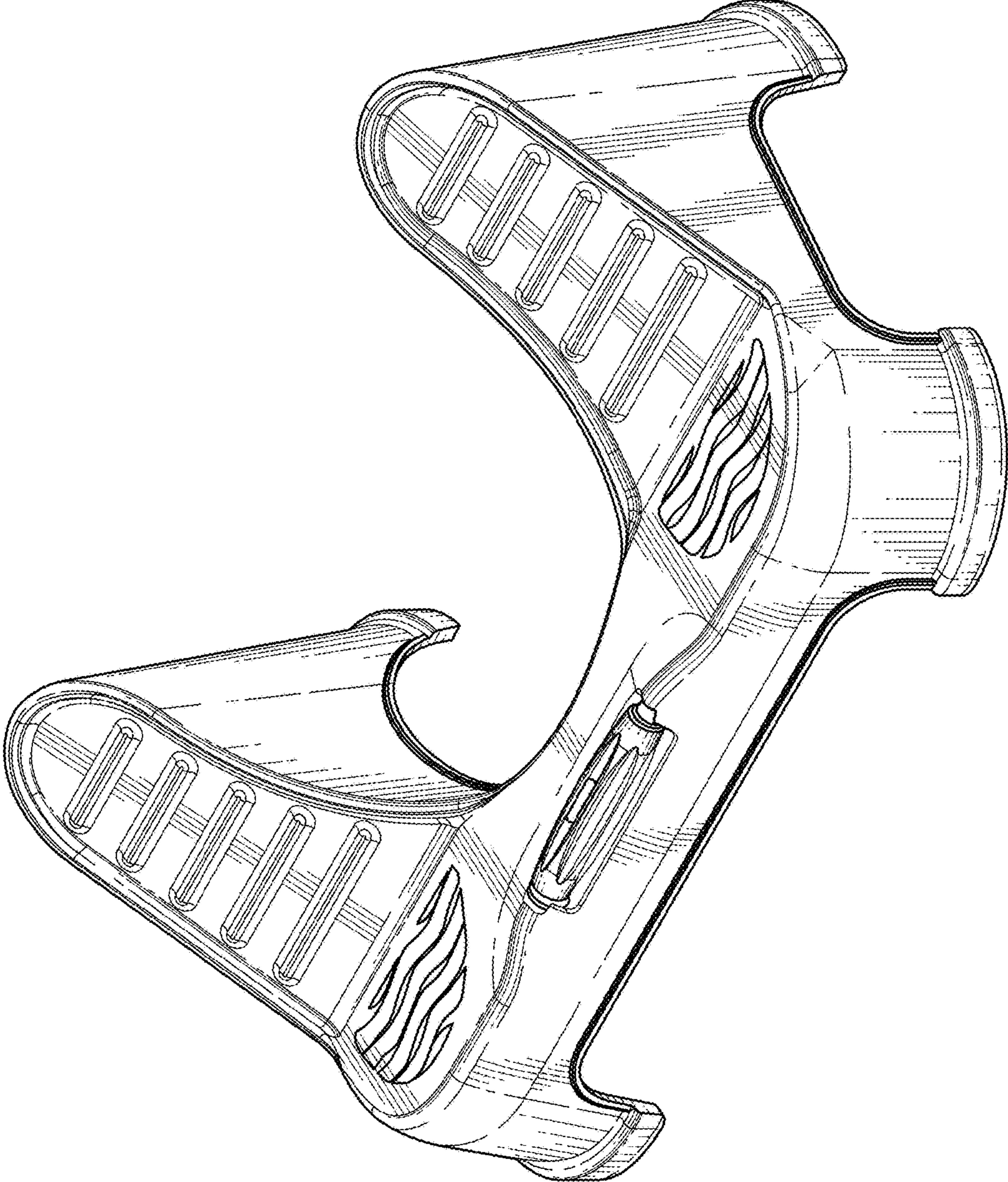


FIG. 1

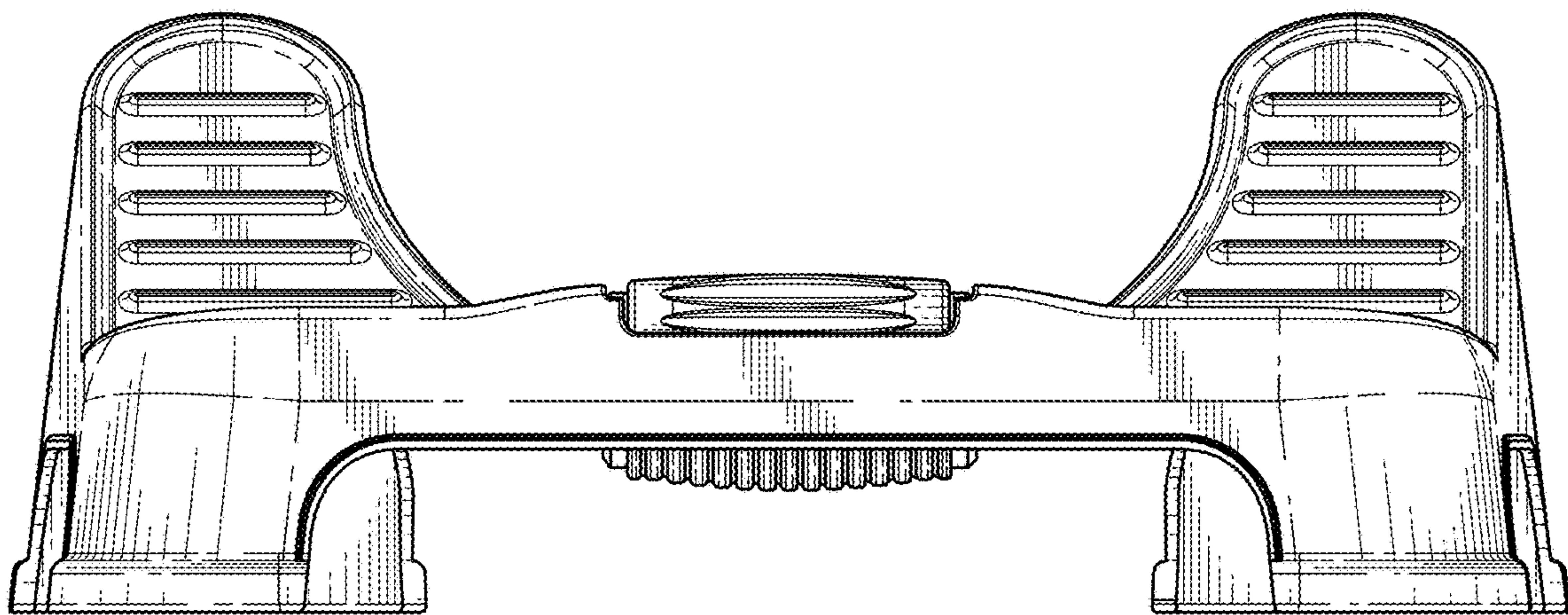


FIG. 2

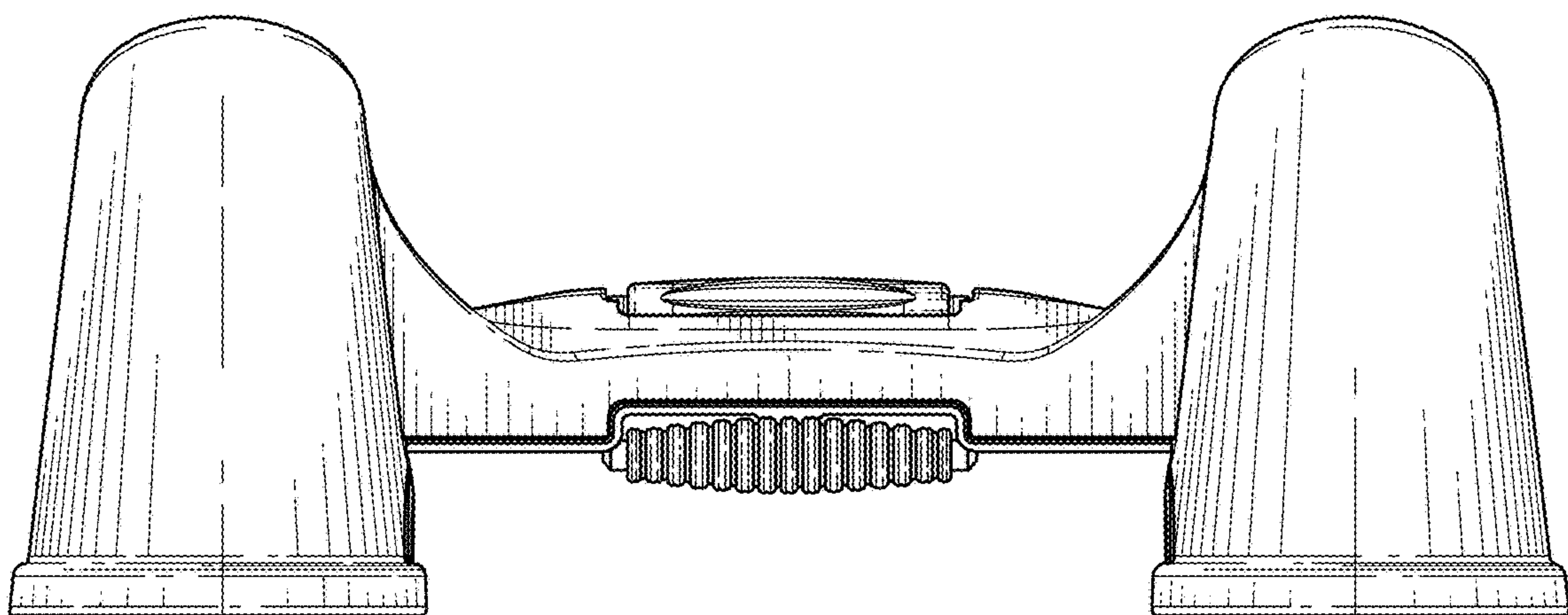


FIG. 3

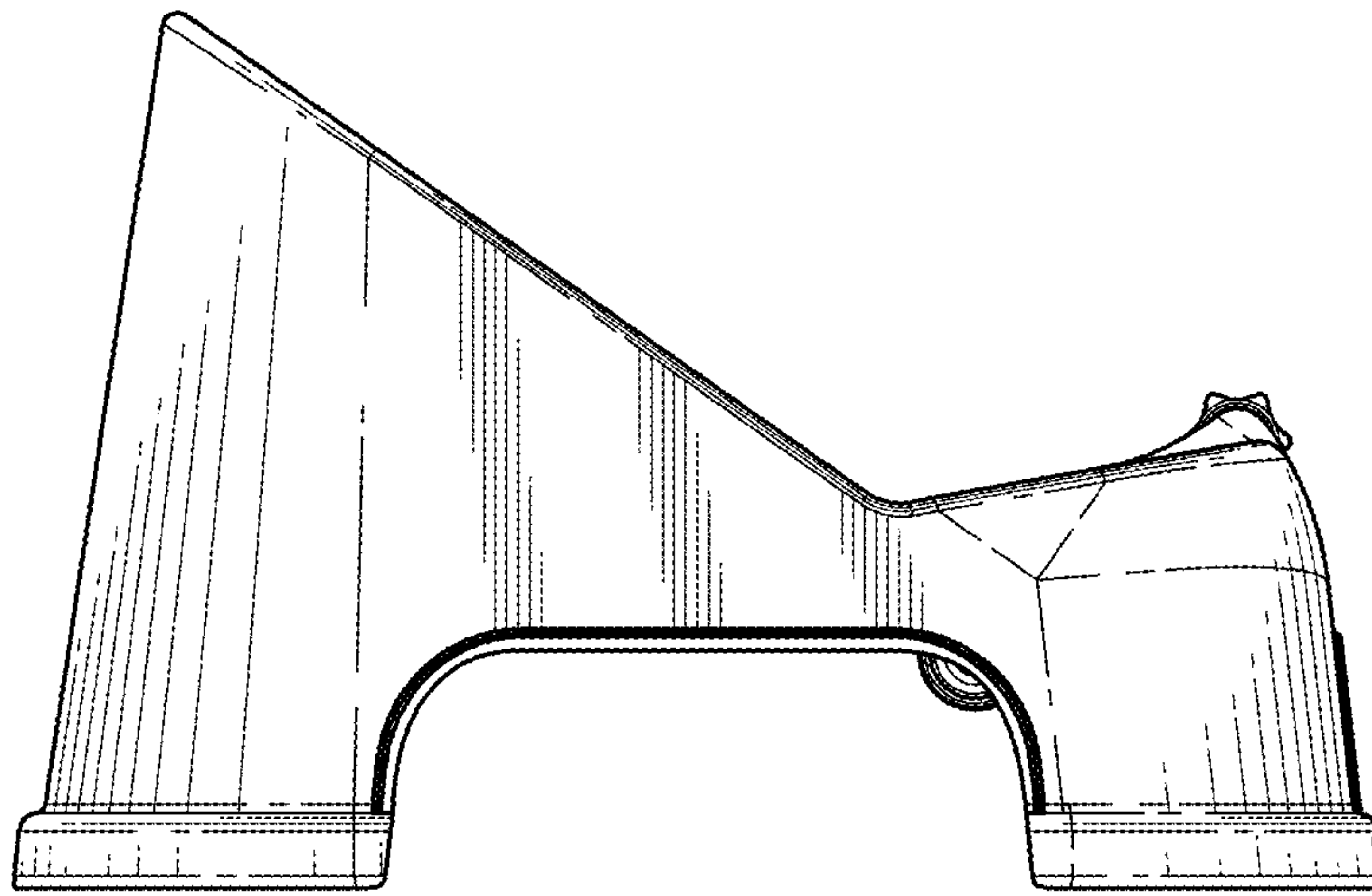


FIG. 4

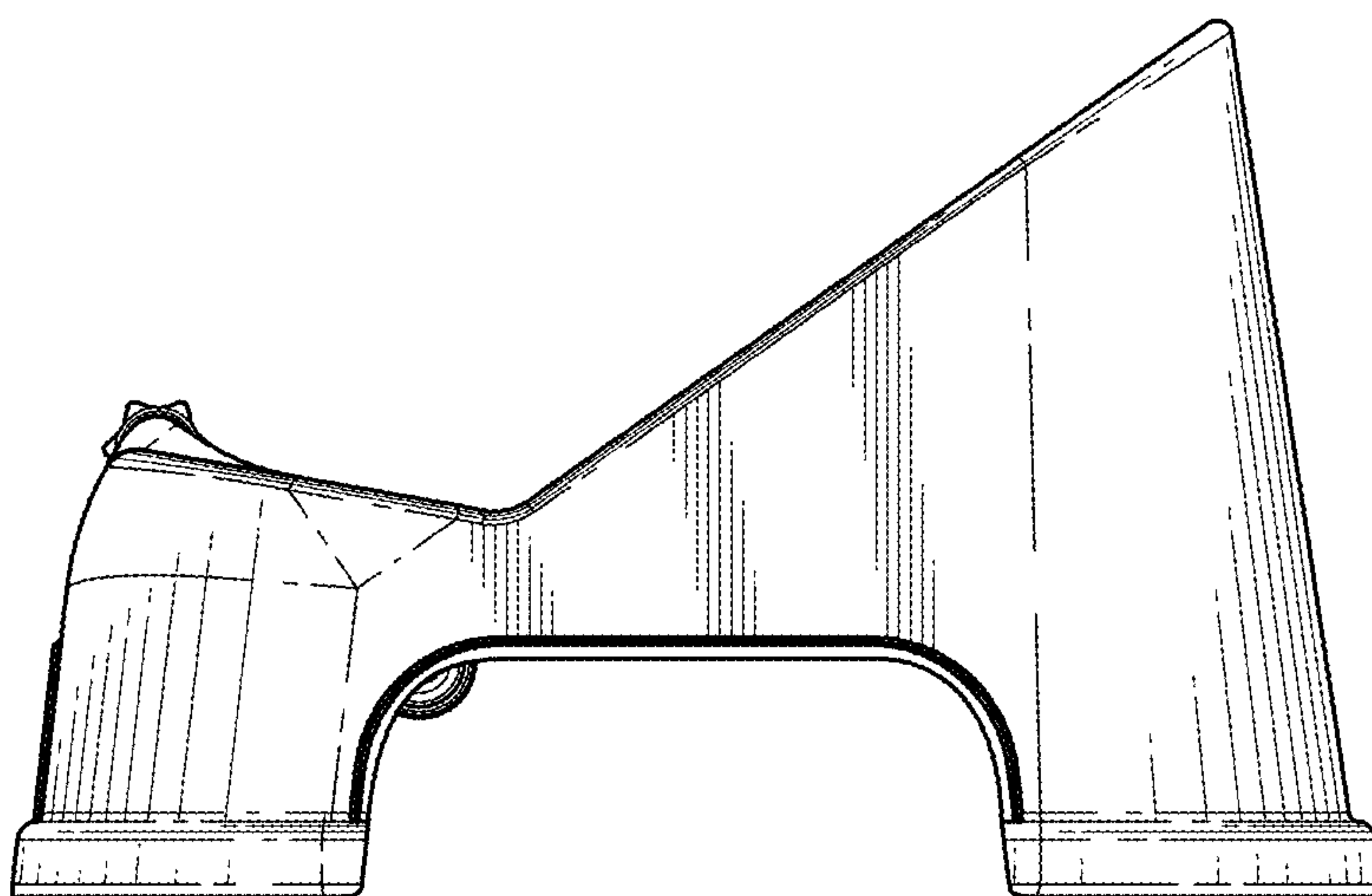


FIG. 5

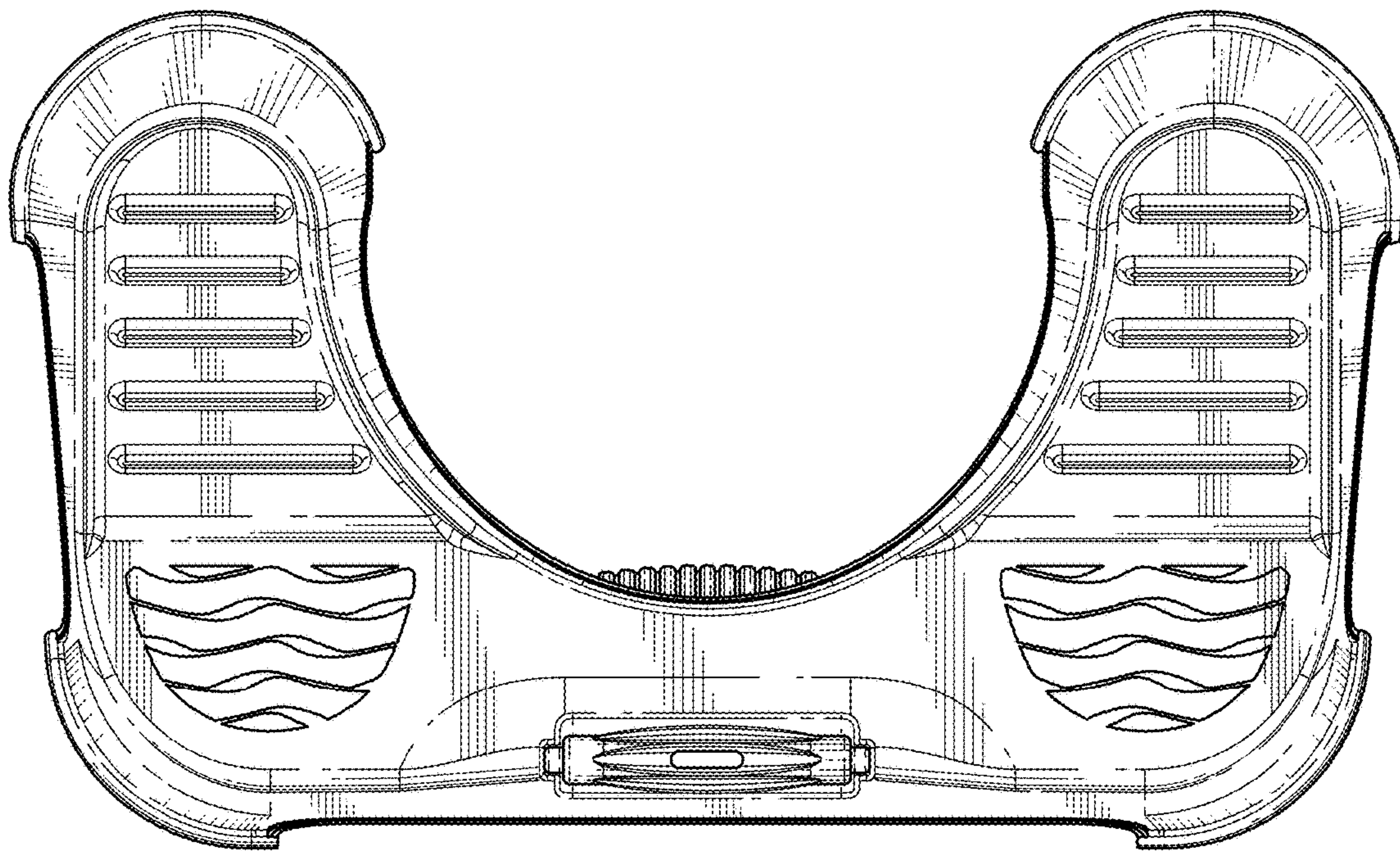


FIG. 6