



US00D787844S

(12) **United States Design Patent**
Griffith

(10) **Patent No.:** **US D787,844 S**

(45) **Date of Patent:** **** May 30, 2017**

- (54) **CHAIR**
- (71) Applicant: **MTS Burgess LLC**, Temperance, MI (US)
- (72) Inventor: **James Griffith**, Toledo, OH (US)
- (73) Assignee: **MTS Burgess LLC**, Temperance, MI (US)
- (**) Term: **15 Years**
- (21) Appl. No.: **29/564,337**
- (22) Filed: **May 12, 2016**
- (51) **LOC (10) Cl.** **06-01**
- (52) **U.S. Cl.**
USPC **D6/334; D6/374**
- (58) **Field of Classification Search**
USPC D6/334, 335, 336, 360, 361, 367, 368,
D6/371-375, 379-381, 716, 716.1-716.8
CPC A47C 7/00; A47C 7/62; A47C 7/18; A47C
7/54; A47C 4/00; A47C 4/028; A47C
4/28; A47C 3/16; A47C 3/04; A47C 3/12;
A47C 1/02; A47C 1/14
See application file for complete search history.

- 3,402,963 A * 9/1968 Fujioka A47C 1/124
297/239
- D279,438 S * 7/1985 Gerner D6/380
- 4,549,764 A * 10/1985 Haedo A47C 7/445
248/629
- 4,768,833 A * 9/1988 Virtue A47C 5/12
297/440.2
- D299,890 S * 2/1989 Wood D6/380
- D396,571 S * 8/1998 Diramarian D6/374
- D433,836 S * 11/2000 Barile, Sr. D6/374
- 6,174,029 B1 * 1/2001 Swy A47C 3/04
297/239
- D439,069 S * 3/2001 Turner D6/374
- 6,206,469 B1 * 3/2001 Caruso A47C 1/124
297/239
- D465,666 S * 11/2002 Hokanson D6/369
- D474,620 S * 5/2003 Striebel D6/374
- D491,381 S * 6/2004 Tseng D6/376
- D602,278 S * 10/2009 Kubryk D6/380
- D602,279 S * 10/2009 Kubryk D6/380
- D603,179 S 11/2009 Kubryk

(Continued)

Primary Examiner — Deanna L Pratt
(74) *Attorney, Agent, or Firm* — Dinsmore & Shohl LLP

(57) **CLAIM**

The ornamental design for a chair, as shown and described.

DESCRIPTION

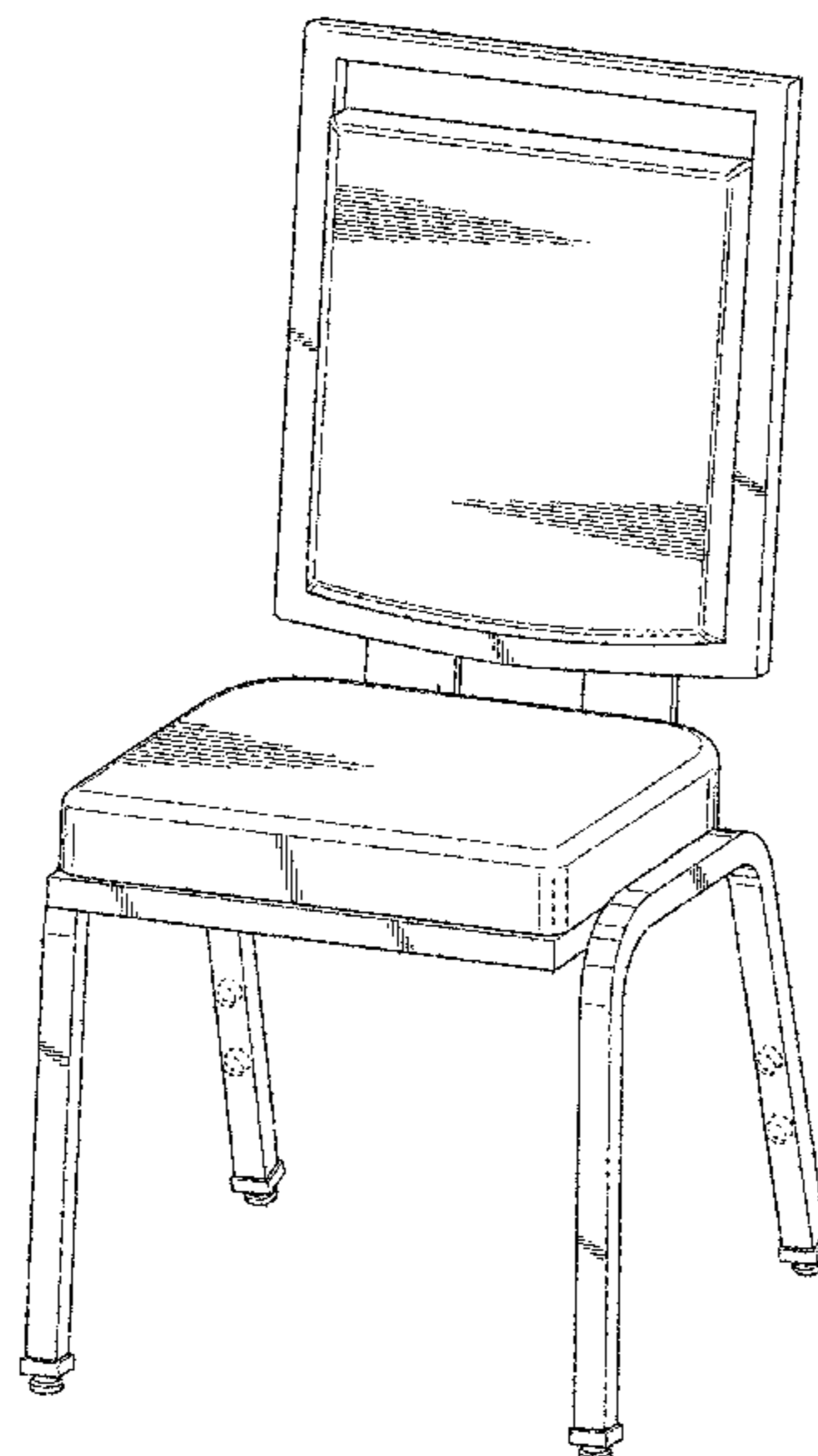
FIG. 1 is a perspective view of a chair in accordance with the present invention;
FIG. 2 is a front view of the chair of FIG. 1;
FIG. 3 is a rear view of the chair of FIGS. 1-2;
FIG. 4 is a side view of the chair of FIGS. 1-3, the opposite side being a mirror image thereof;
FIG. 5 is a top view of the chair of FIGS. 1-4; and,
FIG. 6 is a bottom view of the chair of FIGS. 1-5.
The broken lines shown in the Figures are for environmental purposes only and form no part of the claimed design.

1 Claim, 6 Drawing Sheets

(56) **References Cited**

U.S. PATENT DOCUMENTS

- D96,183 S * 7/1935 Hoffmann D6/380
- D102,915 S * 1/1937 Powell D6/380
- D177,269 S * 3/1956 McKinley et al. D6/375
- D180,996 S * 9/1957 Cramer 297/451.1
- D191,355 S * 9/1961 Sussman D6/380
- 3,041,110 A * 6/1962 King A47C 3/04
297/239
- 3,291,529 A * 12/1966 Straits A47C 3/04
297/183.7
- 3,316,016 A * 4/1967 Petersen A47C 3/04
297/239



(56)

References Cited

U.S. PATENT DOCUMENTS

D603,616	S	*	11/2009	Kubryk	D6/374
D607,221	S	*	1/2010	Shen	D6/367
D611,266	S	*	3/2010	Kubryk	D6/374
D624,327	S	*	9/2010	Swy	D6/374
D629,223	S	*	12/2010	Swy	D6/374
D629,629	S	*	12/2010	Swy	D6/374
D637,831	S	*	5/2011	Aubry	D6/375
D647,319	S	*	10/2011	Kubryk	D6/380
D647,719	S	*	11/2011	Kubryk	D6/374
D672,162	S	*	12/2012	Kubryk	D6/380
D677,484	S	*	3/2013	Kubryk	D6/380
D677,485	S	*	3/2013	Kubryk	D6/380
2015/0230615	A1	*	8/2015	Barile	A47C 7/443 297/239

* cited by examiner

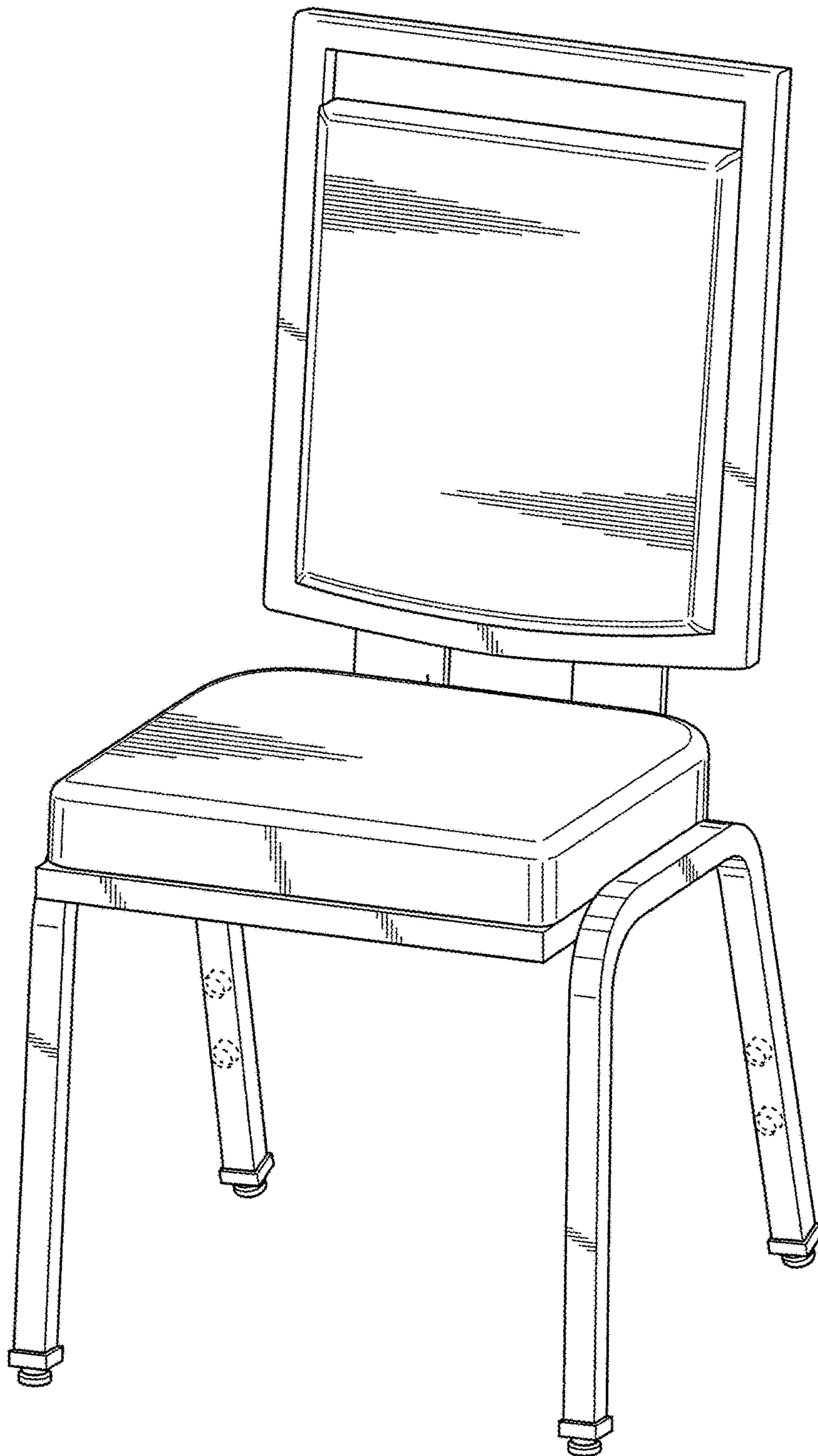


FIG. 1

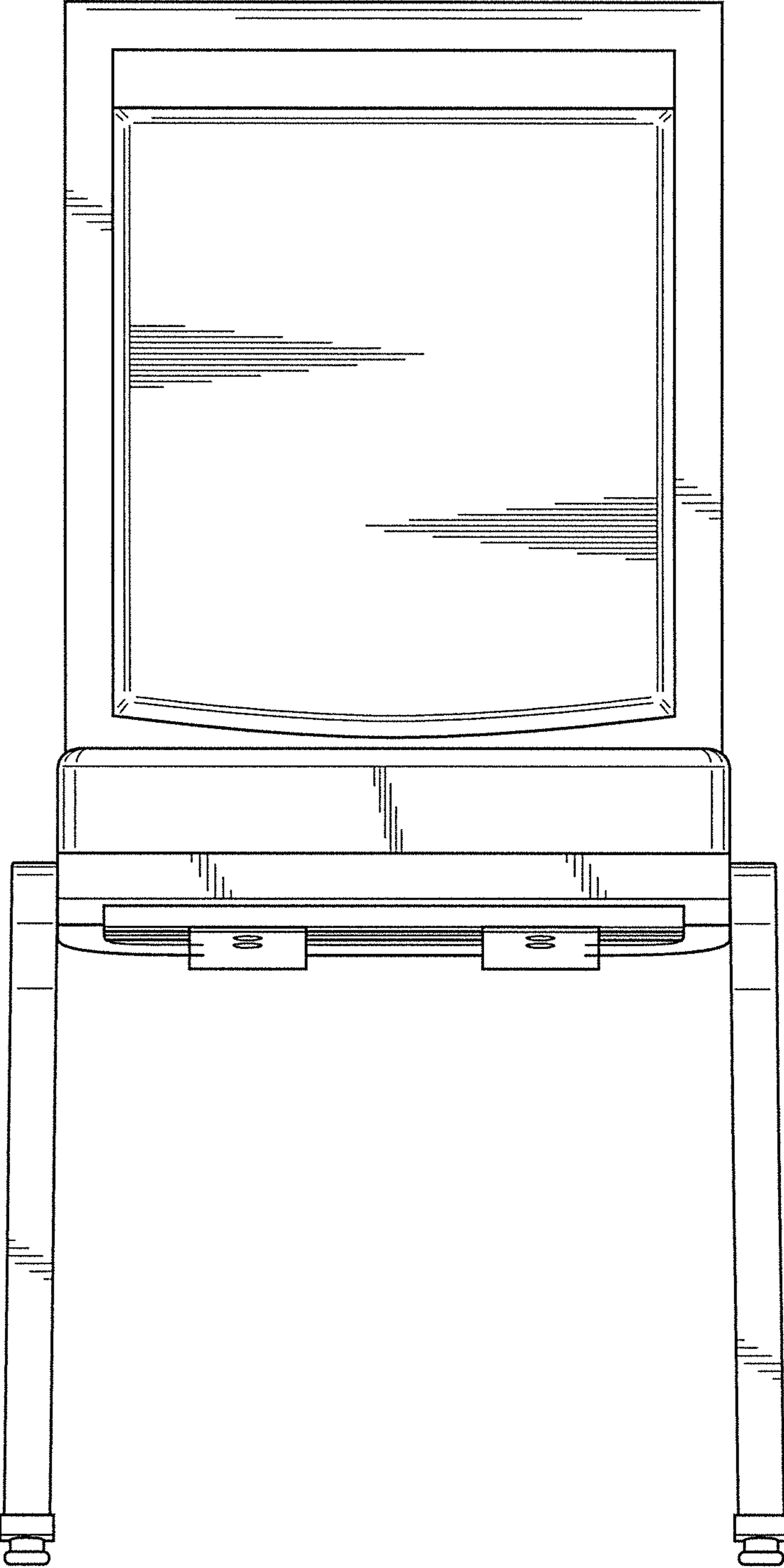


FIG. 2

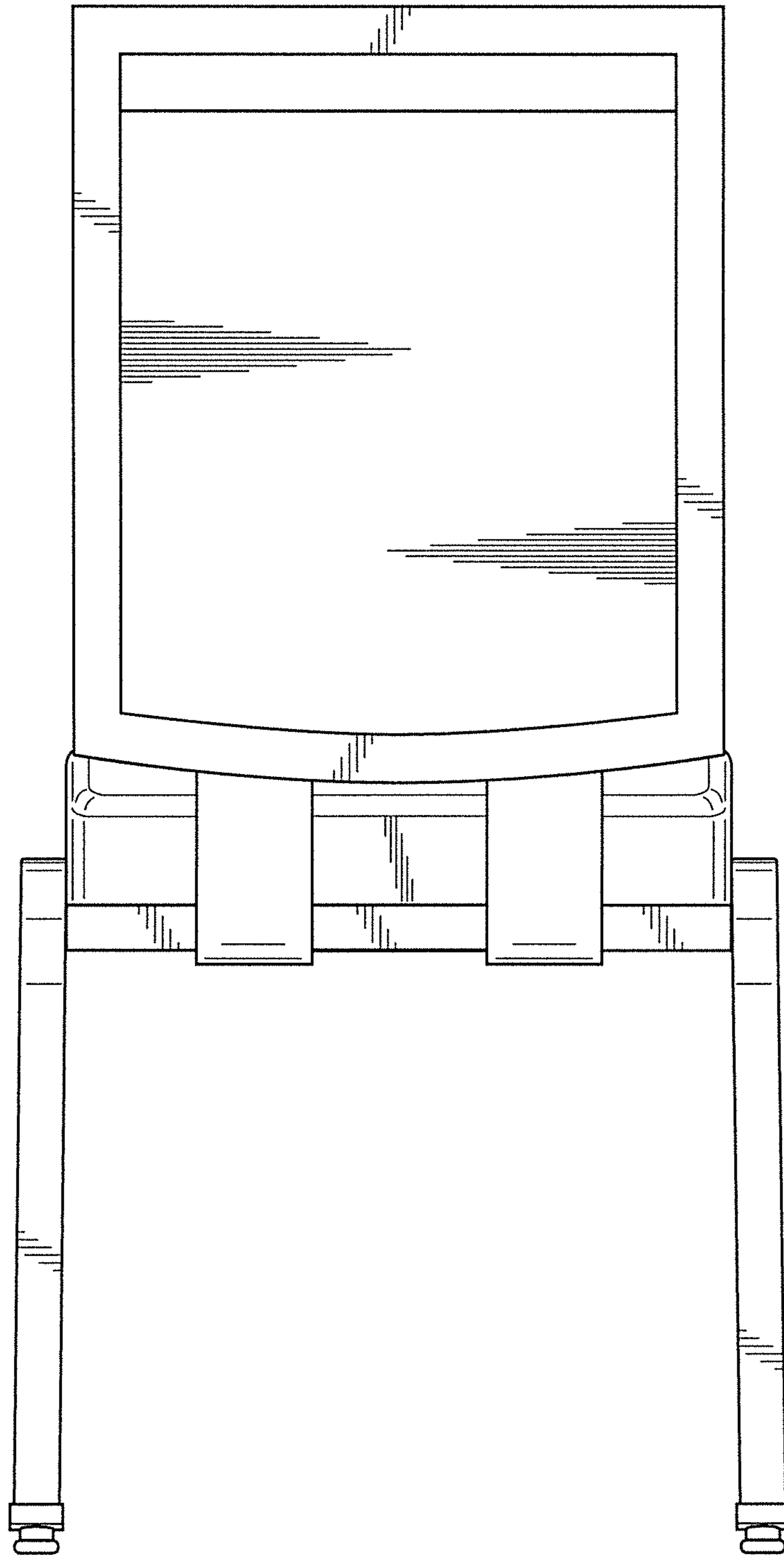


FIG. 3

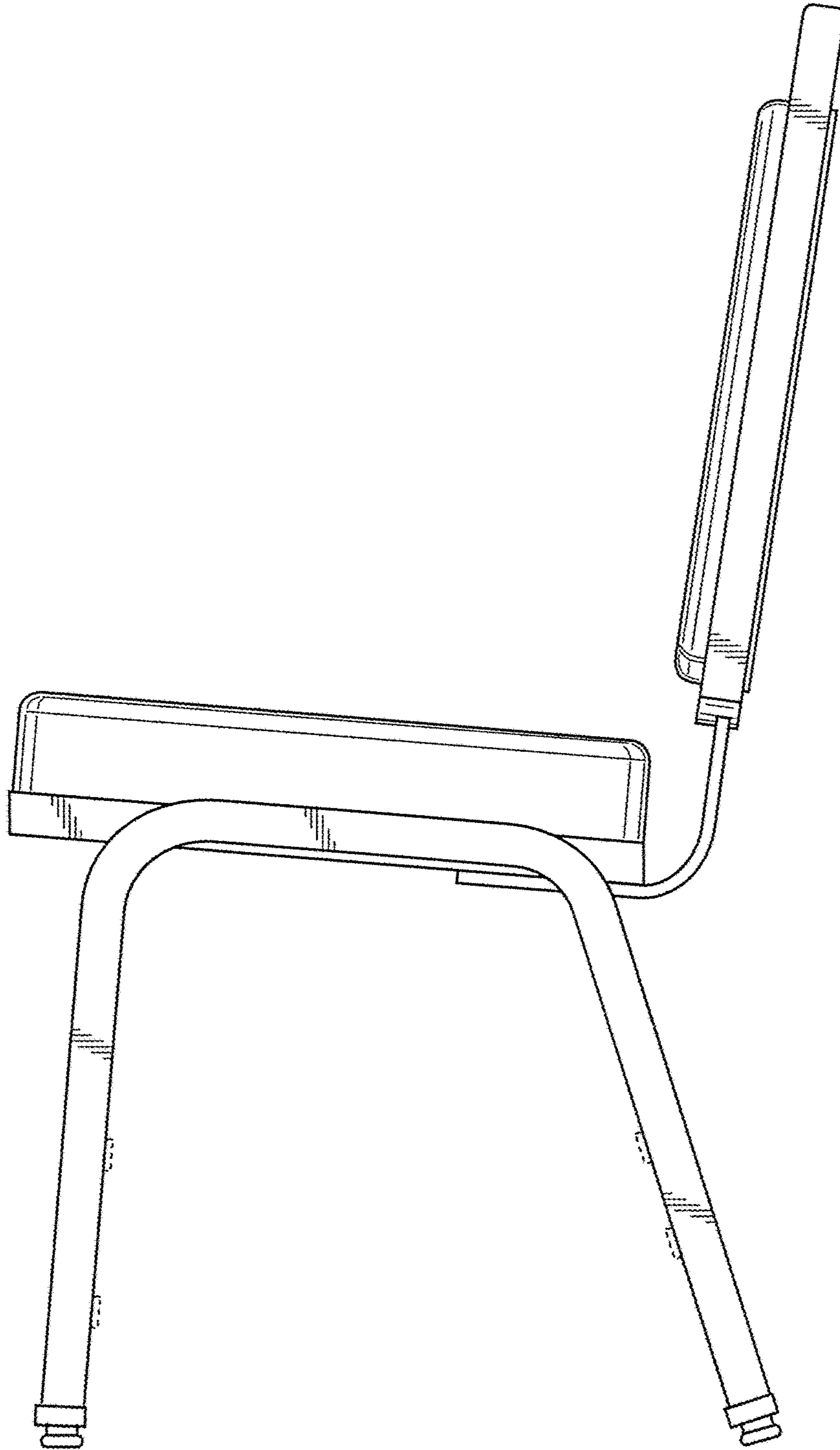


FIG. 4

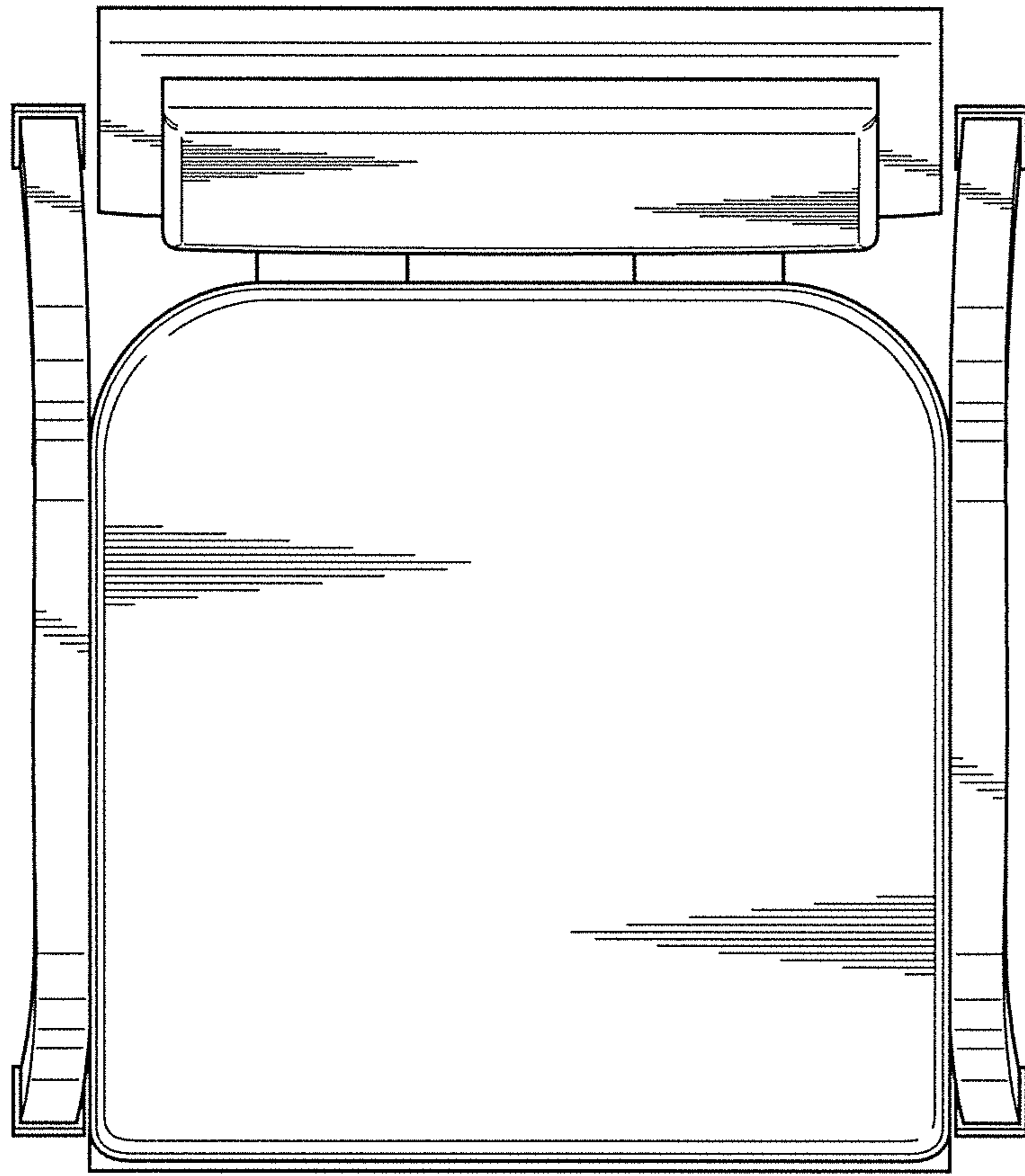


FIG. 5

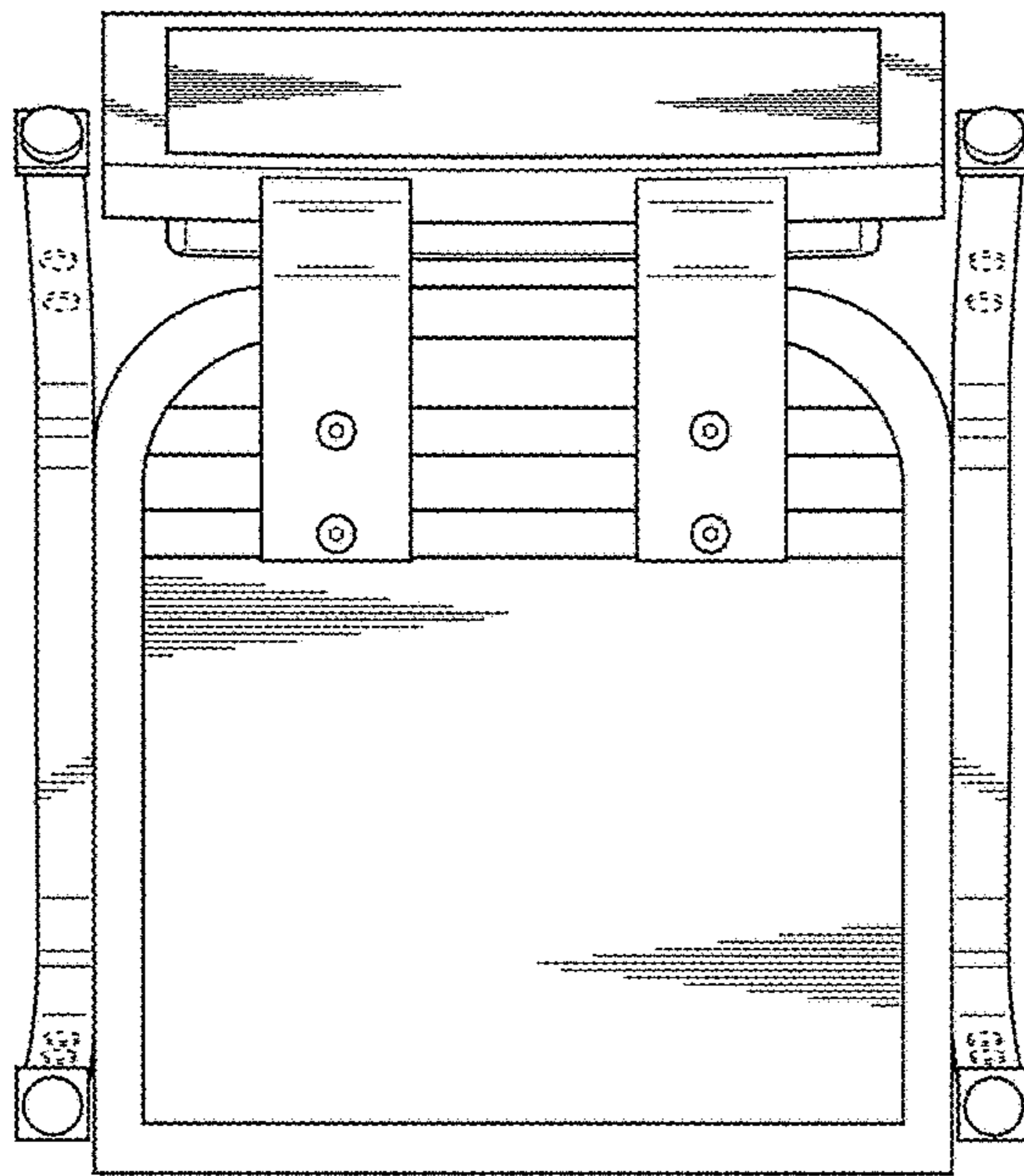


FIG. 6