



US00D787841S

(12) **United States Design Patent** (10) **Patent No.:** **US D787,841 S**  
**Dix** (45) **Date of Patent:** **\*\* May 30, 2017**

(54) **SEAT**

(71) Applicant: **SOUTHERN MOTION, INC.**,  
Pontotoc, MS (US)  
(72) Inventor: **George K Dix**, Pontotoc, MS (US)  
(73) Assignee: **Southern Motion, Inc.**, Pontotoc, MS  
(US)

(\*\*) Term: **15 Years**

(21) Appl. No.: **29/541,884**

(22) Filed: **Oct. 8, 2015**

(51) **LOC (10) Cl.** ..... **06-01**

(52) **U.S. Cl.**  
USPC ..... **D6/334**

(58) **Field of Classification Search**  
USPC ..... D6/334, 335, 336, 349, 353, 354, 355,  
D6/360, 367, 368, 369, 371, 373, 374,  
D6/375, 376, 377, 379, 380, 381, 403.4,  
D6/406.5, 650, 708.21, 716, 716.1, 716.2,  
D6/716.4; D12/128, 133; D21/483, 519,  
D21/521, 685, 687, 803, 828; D30/118;  
297/16.1, 42, 94, 135, 175, 232, 233,  
297/350, 351, 455.1, 448.1, 448.2, 451.9;  
5/12.1, 12.2  
CPC .. A47C 7/50; A47C 7/00; A47C 7/506; A47C  
1/0345; A47C 1/038; A47C 1/031; A47C  
1/0355; A47C 1/035; A47C 1/034; A47C  
1/0342; A47C 17/34; A47C 17/00; A47C  
1/124; A47C 1/00; A47C 1/0352; A47C  
3/027; A47C 4/02; A47C 4/024; A47C  
4/028; A47C 4/03; A47C 5/06; A47C  
(Continued)

(56) **References Cited**

**U.S. PATENT DOCUMENTS**

D307,524 S \* 5/1990 Owen ..... D6/334  
D409,852 S \* 5/1999 Christa ..... D6/381  
D474,911 S \* 5/2003 Ricci ..... D6/381  
(Continued)

**OTHER PUBLICATIONS**

Christopher Knight Home Hawthorne, posted at Overstock.com, posting date Nov. 24, 2015, [online], [site visited Sep. 27, 2016]. Available from Internet, <URL: https://www.overstock.com/Home-Garden/Christopher-Knight-Home-Hawthorne-PU-Leather-Glider-Recliner-Club-Chair/10673334/product.html?refccid=HUE4S7Q4TGJIWYKFR4I6VKXIQI&searchidx=10>.\*

(Continued)

*Primary Examiner* — Thomas Johannes

*Assistant Examiner* — Catherine Ho

(74) *Attorney, Agent, or Firm* — Thomas G. Peterson;  
Bradley Arant Boult Cummings LLP

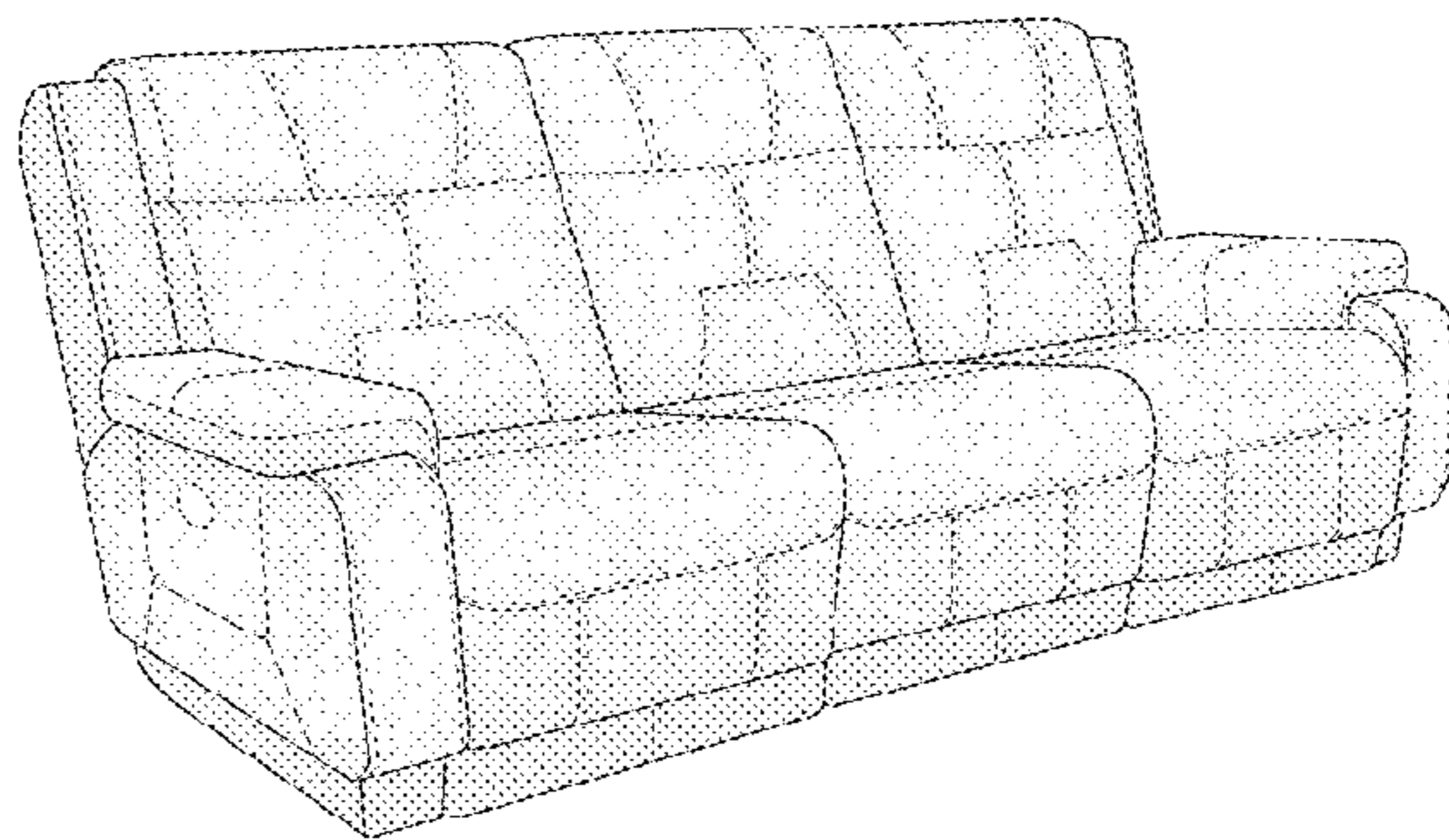
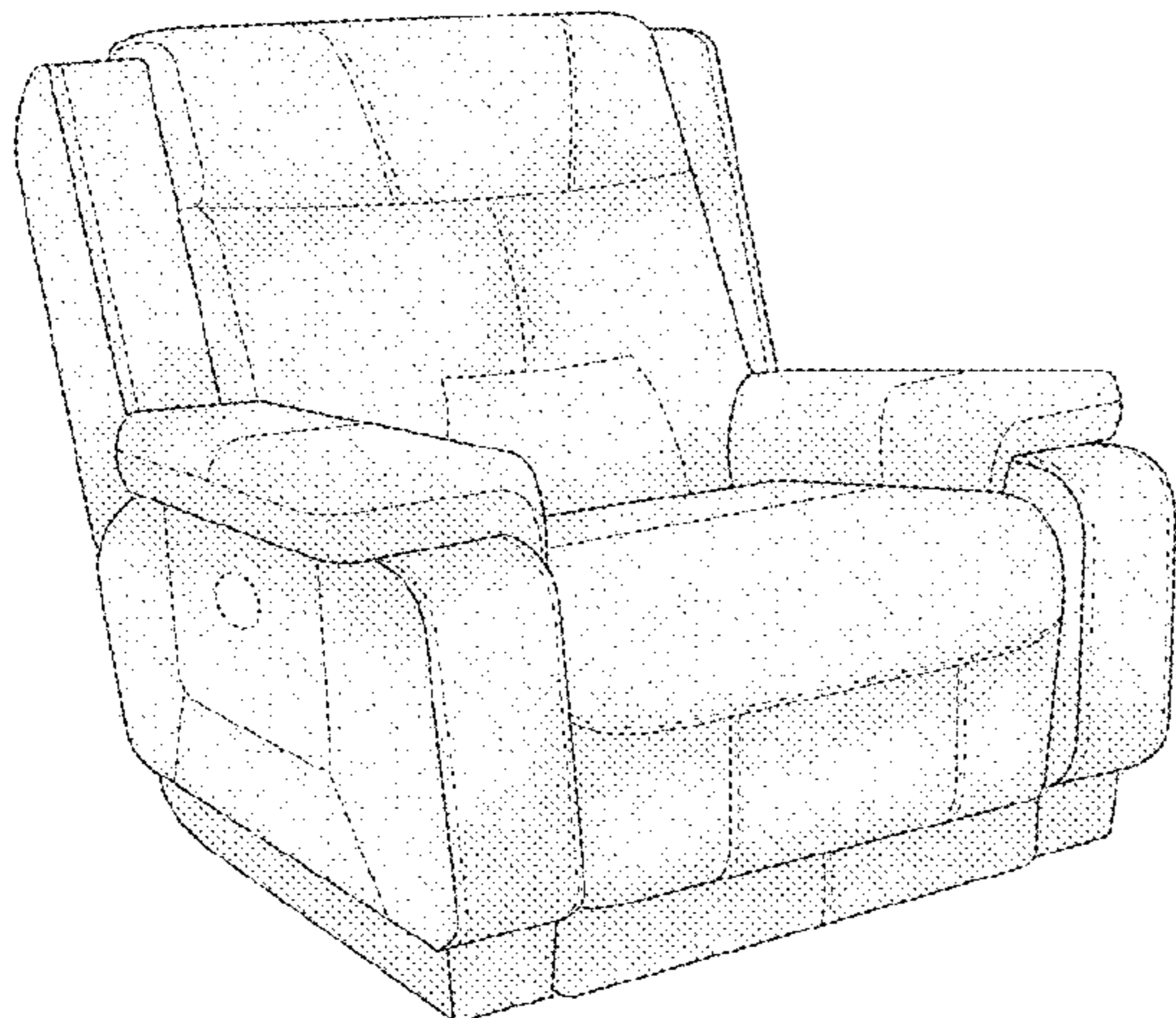
(57) **CLAIM**

The ornamental design for a seat, as shown and described.

**DESCRIPTION**

FIG. 1 shows a perspective view of a first embodiment of the seat in accordance with the new design.  
FIG. 2 shows a front elevation view of the embodiment of FIG. 1.  
FIG. 3 shows a rear view of the embodiment of FIG. 1.  
FIG. 4 shows a side view of the embodiment of FIG. 1.  
FIG. 5 shows a top view of the embodiment of FIG. 1.  
FIG. 6 shows a perspective view of a second embodiment of the seat in accordance with the new design.  
FIG. 7 shows a front elevation view of the embodiment of FIG. 6.  
FIG. 8 shows a rear view of the embodiment of FIG. 6.  
FIG. 9 shows a side view of the embodiment of FIG. 6; and, FIG. 10 shows a top view of the embodiment of FIG. 6.  
The long dashed broken lines shown within the body of the seat represent claimed stitching. The short heavy broken lines shown on the side of the article in FIGS. 1, 4, 6, and 9 represent portions of the article that form no part of the claimed design.

**1 Claim, 10 Drawing Sheets**



(58) **Field of Classification Search**

CPC ..... 7/16; A47C 7/18; A47C 3/00; A47C 4/00;  
A47C 3/04; A47B 83/02

See application file for complete search history.

(56) **References Cited**

U.S. PATENT DOCUMENTS

D475,216 S	*	6/2003	Ricci .....	D6/381
D613,959 S	*	4/2010	Crockett .....	D6/381
D630,028 S	*	1/2011	Delbridge .....	D6/334
D721,514 S	*	1/2015	Adair .....	D6/381
D760,504 S	*	7/2016	Dix .....	D6/334

OTHER PUBLICATIONS

Sting Rocker Recliner, posted at Wayfair.com, posting date Apr. 1, 2016, [online], [site visited Sep. 27, 2016]. Available from Internet, <URL: [http://www.wayfair.com/Sting-BOUT1085.html?ire\\_id=26699397&set\\_default\\_options=1](http://www.wayfair.com/Sting-BOUT1085.html?ire_id=26699397&set_default_options=1)>.\*

Max Recliner, posted at Wayfair.com, posting date Dec. 20, 2015, [online], [site visited Sep. 27, 2016]. Available from Internet, <URL: [http://www.wayfair.com/1127p-205-13-2127p-205-13-127p-205-13-BOUT1075.html?Pild\[\]=15427163,15693912&source=hotdeals](http://www.wayfair.com/1127p-205-13-2127p-205-13-127p-205-13-BOUT1075.html?Pild[]=15427163,15693912&source=hotdeals)>.\*

Holt Rocker Recliner, posted at Wayfair.com, posting date Sep. 14, 2014, [online], [site visited Sep. 27, 2016]. Available from Internet, <URL: [http://www.wayfair.com/Holt-Rocker-Recliner-2220025-GNT2968.html?ire\\_id=17452987&set\\_default\\_options=1](http://www.wayfair.com/Holt-Rocker-Recliner-2220025-GNT2968.html?ire_id=17452987&set_default_options=1)>.\*

\* cited by examiner

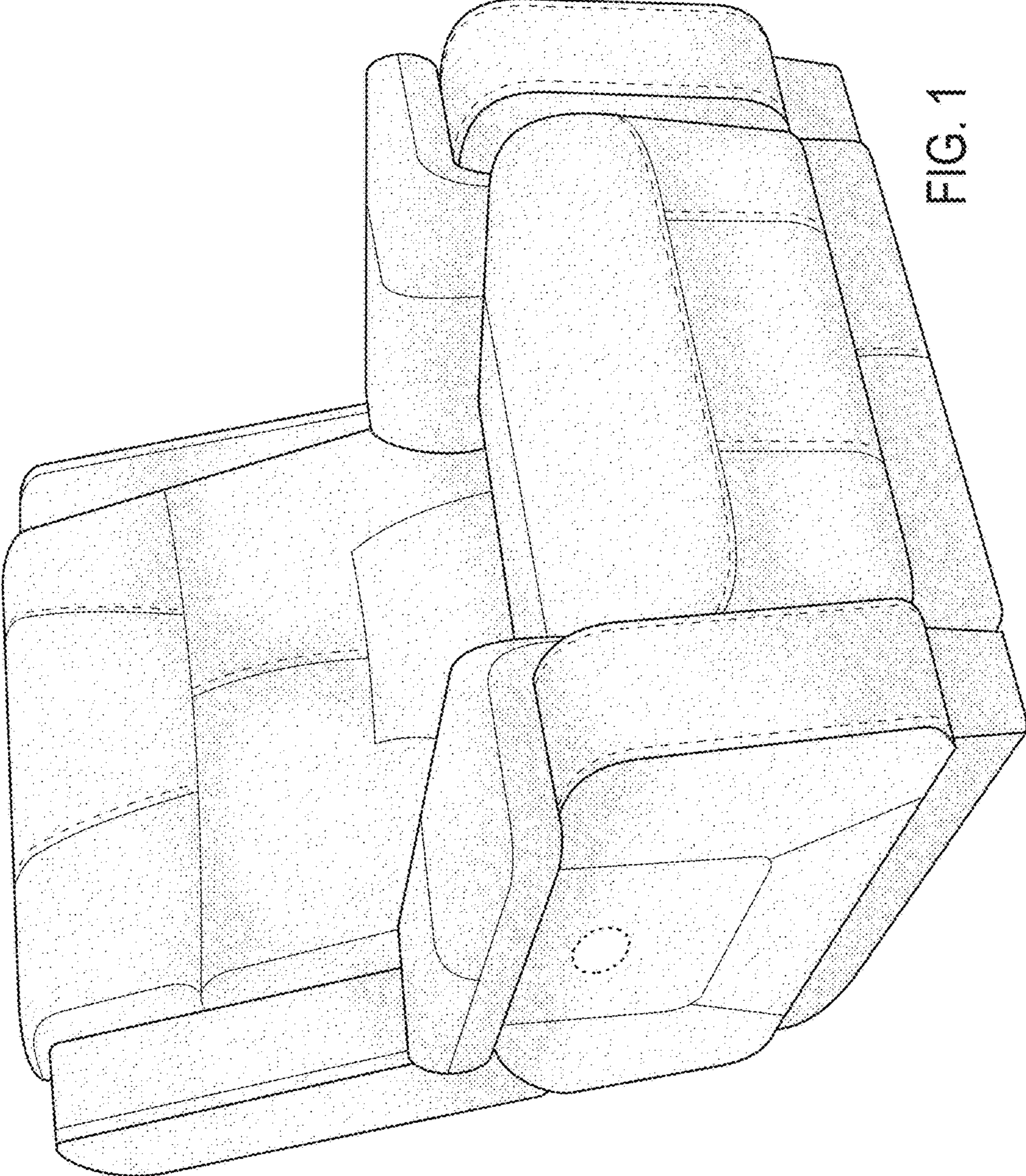


FIG. 1

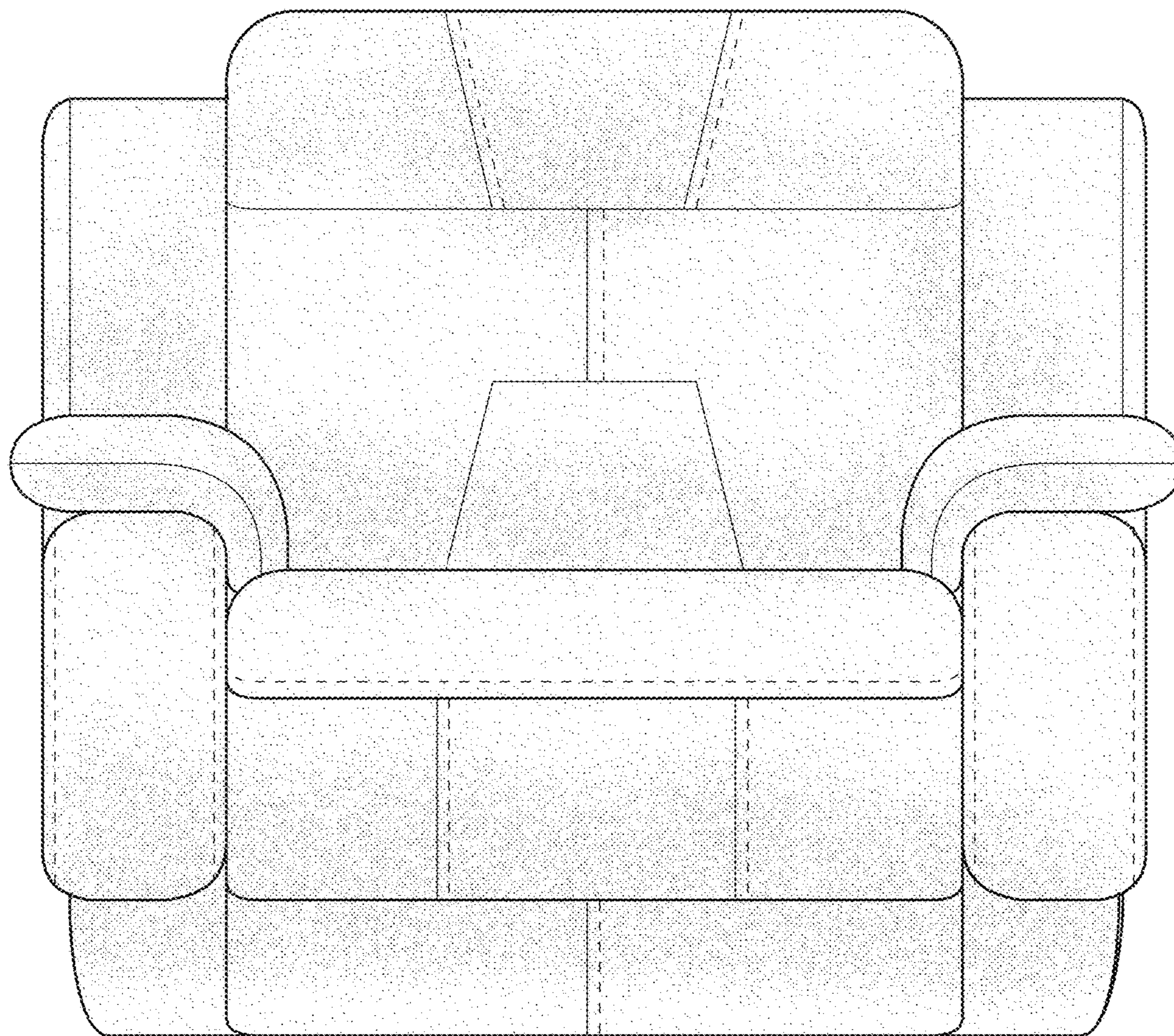


FIG. 2

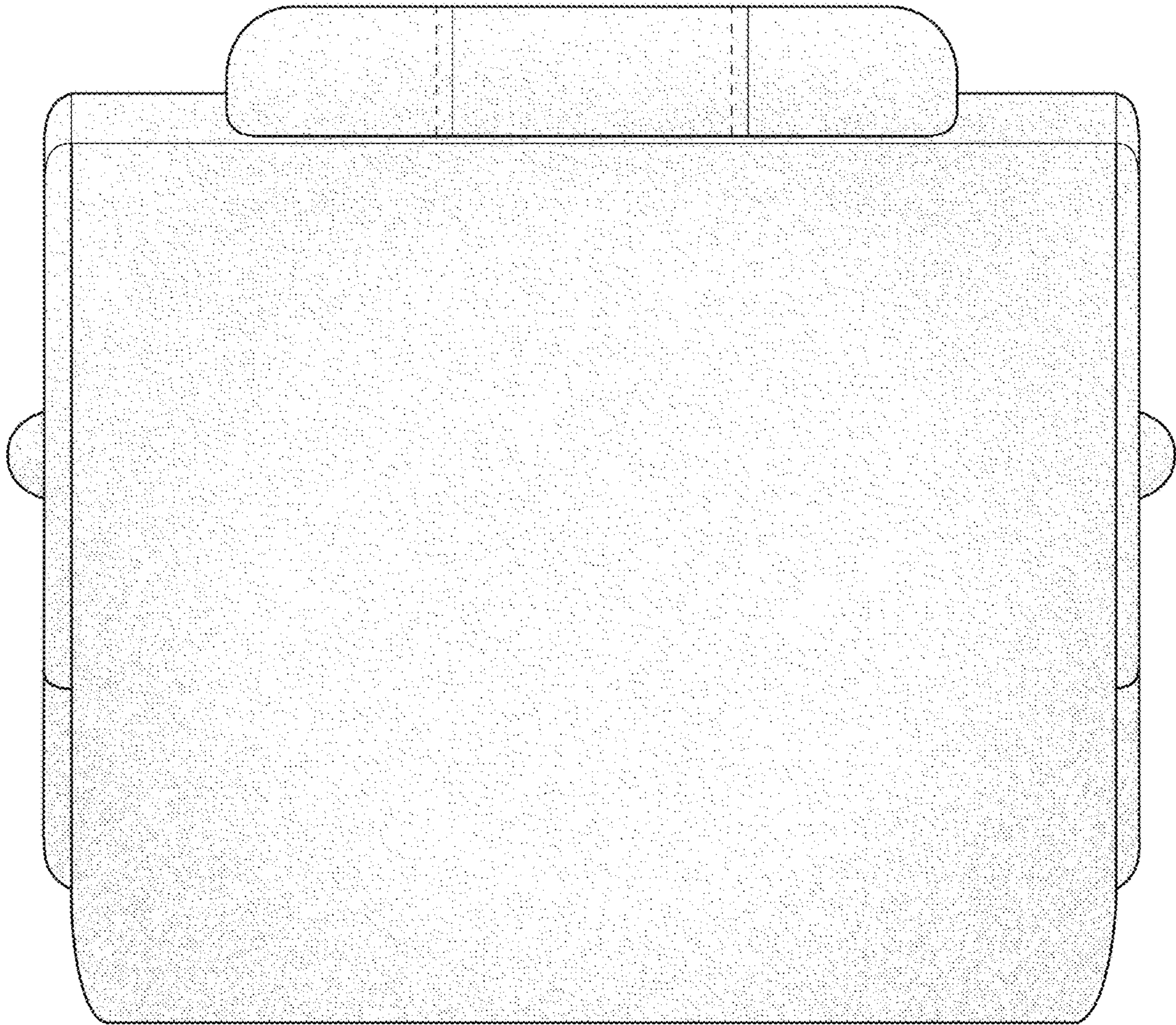


FIG. 3

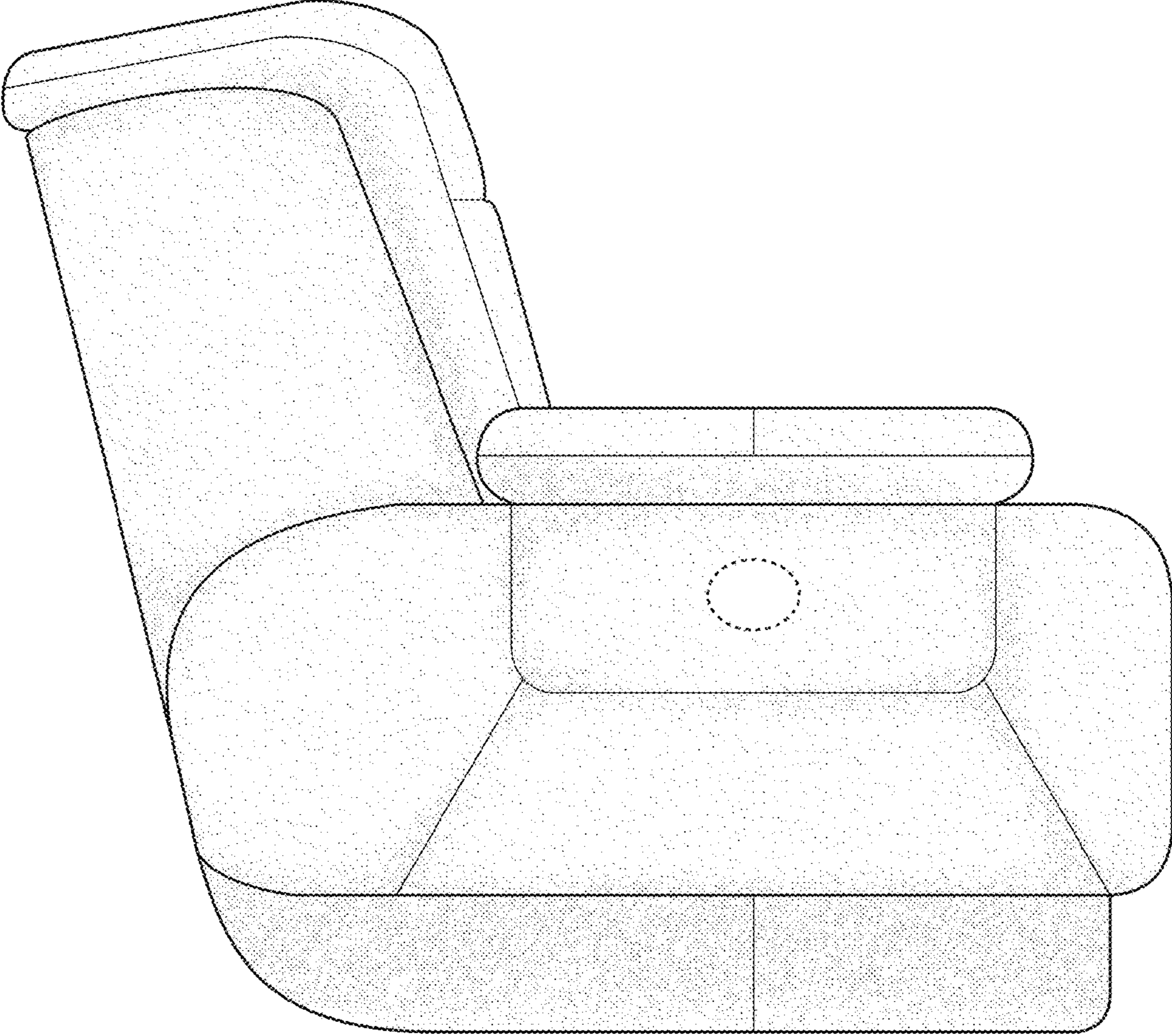


FIG. 4

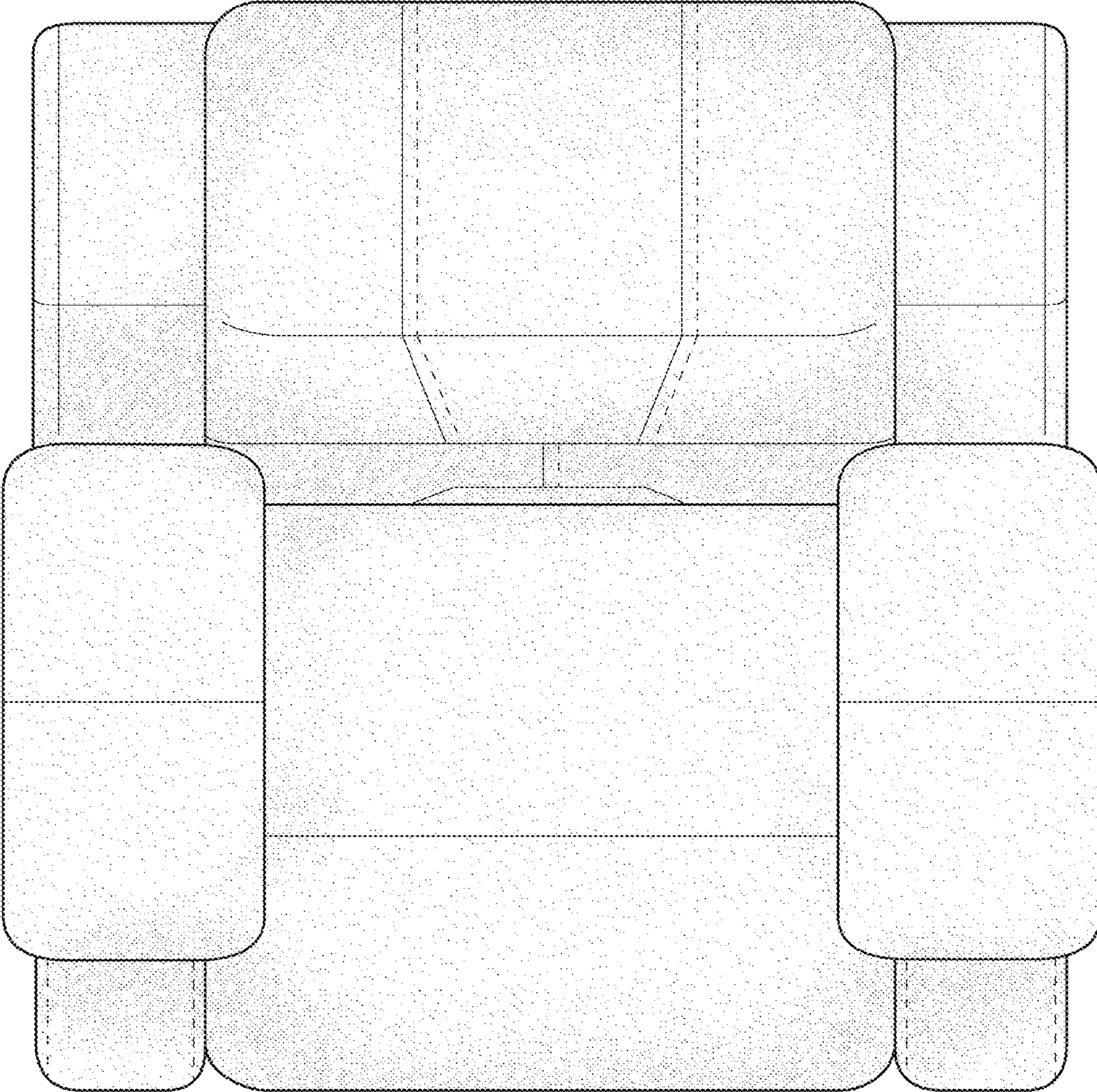


FIG. 5

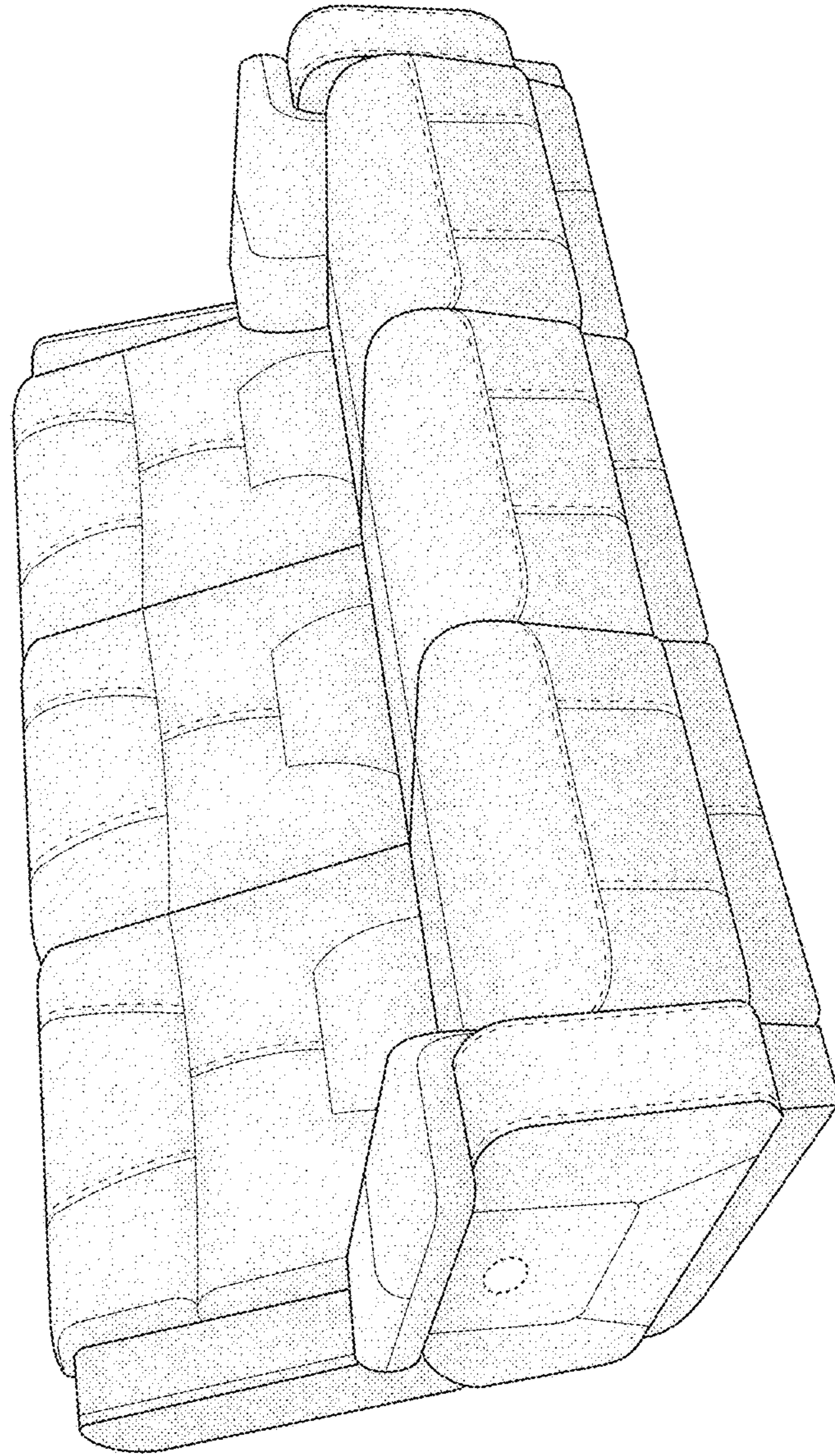


FIG. 6



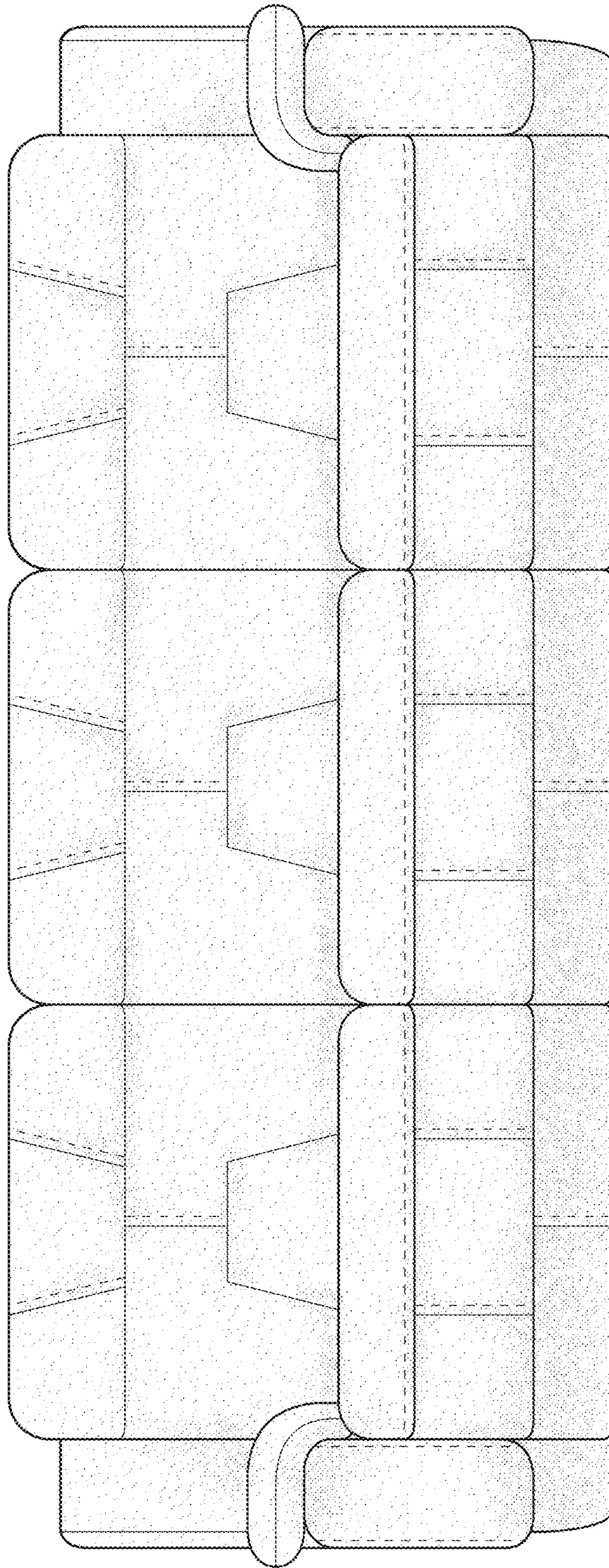


FIG. 7

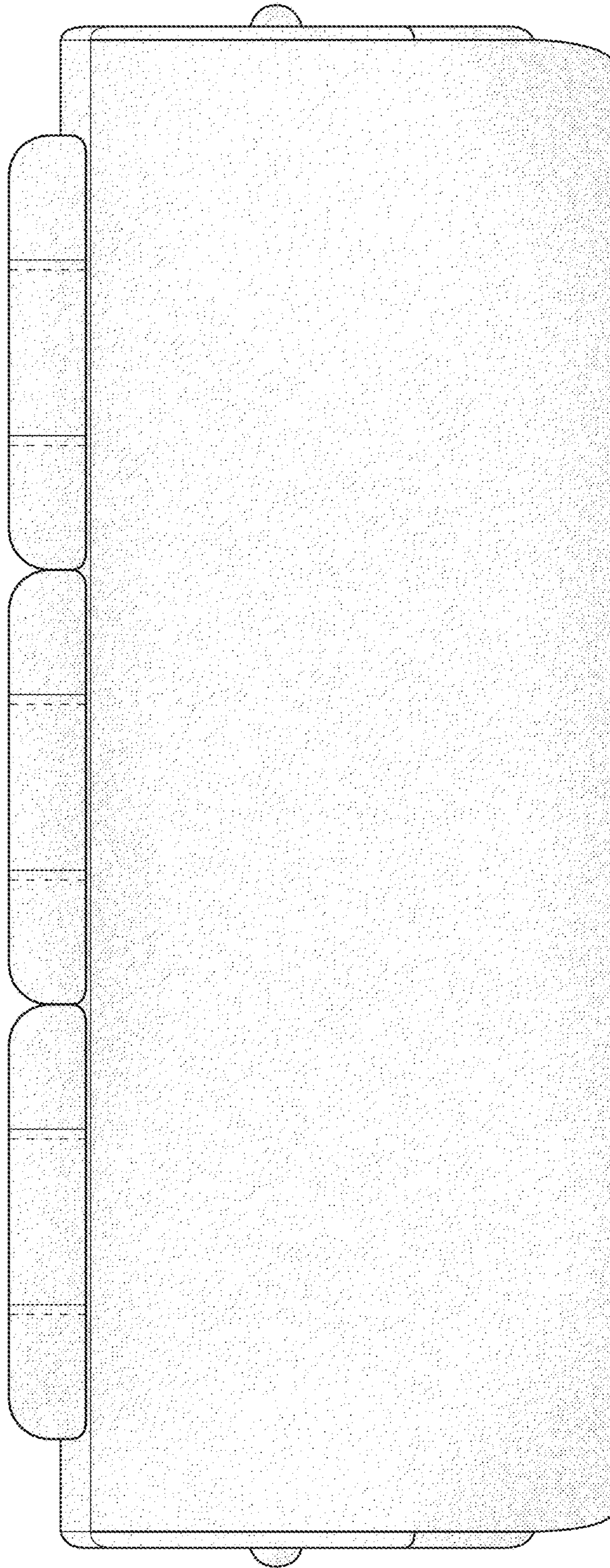


FIG. 8

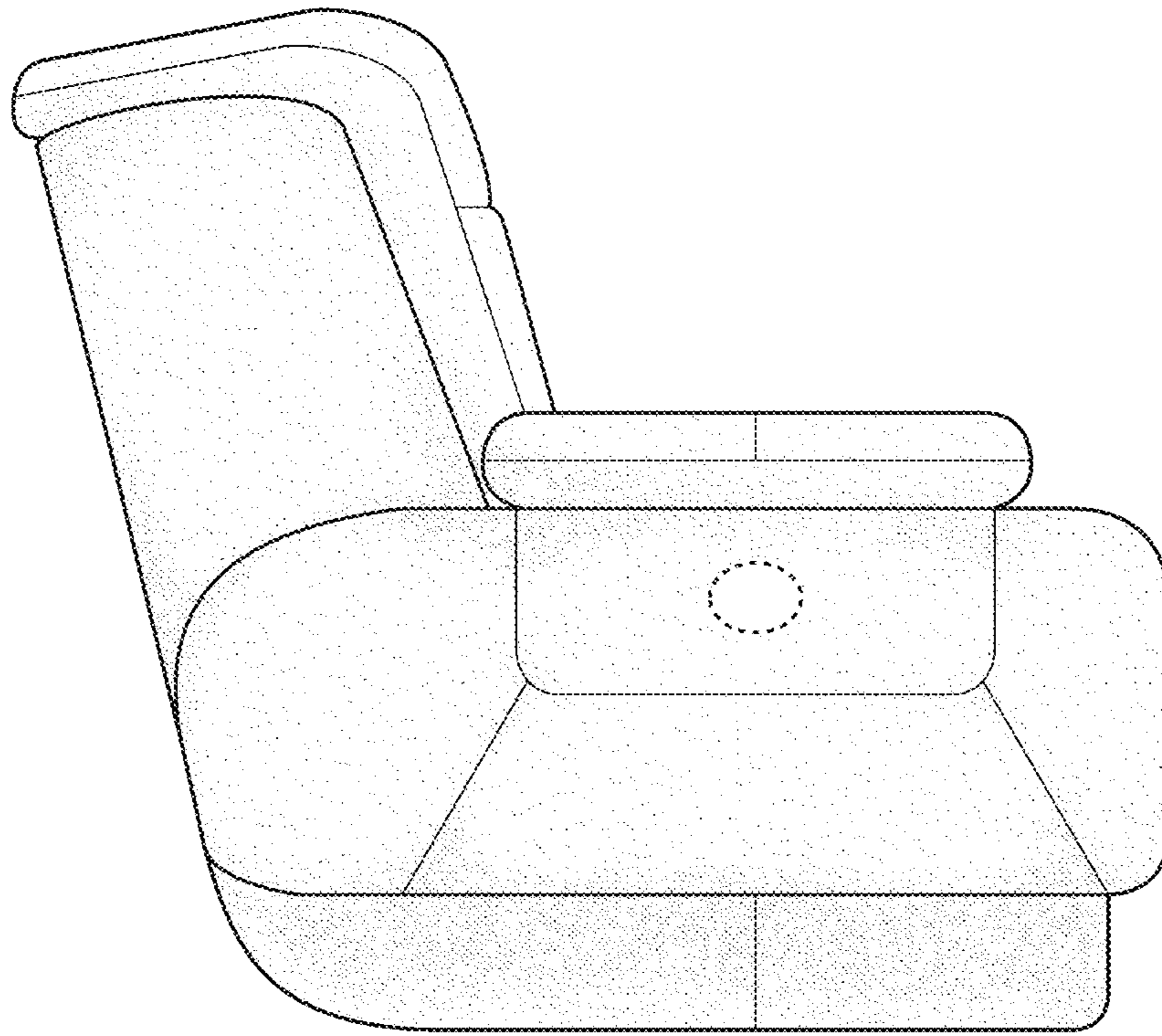


FIG. 9

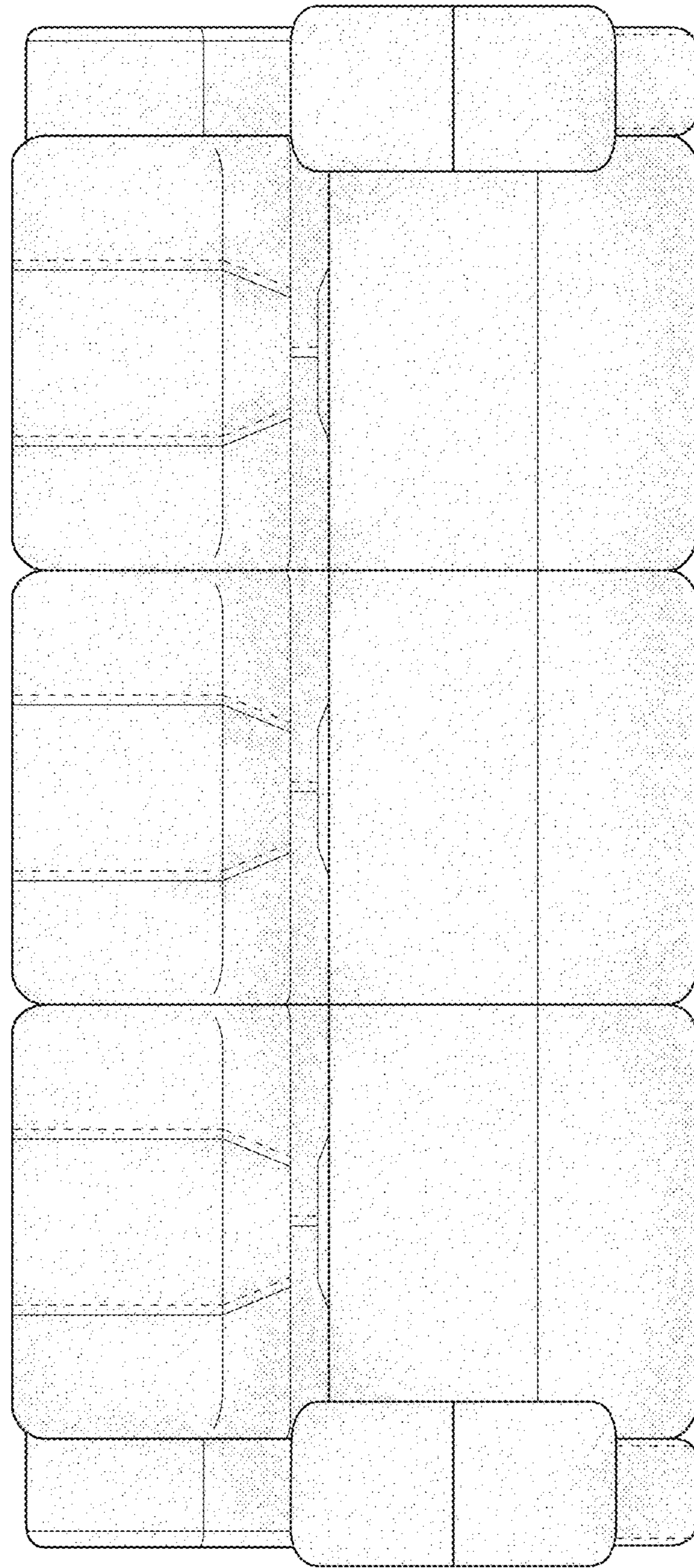


FIG. 10