



US00D787840S

(12) **United States Design Patent** (10) **Patent No.:** **US D787,840 S**
Spigler (45) **Date of Patent:** **** May 30, 2017**

- (54) **MIRROR FOR EYEGLASS FITTING**
- (71) Applicant: **Shamir Optical Industry Ltd.**, Upper Galilee (IL)
- (72) Inventor: **Ido Spigler**, Upper Galilee (IL)
- (73) Assignee: **Shamir Optical Industry Ltd.**, Upper Galilee (IL)
- (**) Term: **15 Years**
- (21) Appl. No.: **29/548,875**
- (22) Filed: **Dec. 17, 2015**
- (51) **LOC (10) Cl.** **06-07**
- (52) **U.S. Cl.**
USPC **D6/310**
- (58) **Field of Classification Search**
USPC D6/300-314, 321, 664.1, 568
CPC A45D 42/10; A47G 1/02; A47G 2200/08;
F21V 33/004
See application file for complete search history.

- D427,440 S * 7/2000 Rowan D6/300
- D531,822 S * 11/2006 Massaud D6/310
- D545,691 S * 7/2007 Bhavnani D10/15
- D608,547 S * 1/2010 Peng D6/310
- D683,141 S * 5/2013 Symons D14/447

* cited by examiner

Primary Examiner — Deanna L Pratt
(74) *Attorney, Agent, or Firm* — Cooley LLP

(57) **CLAIM**

The ornamental design for a mirror for eyeglass fitting, as shown and described.

DESCRIPTION

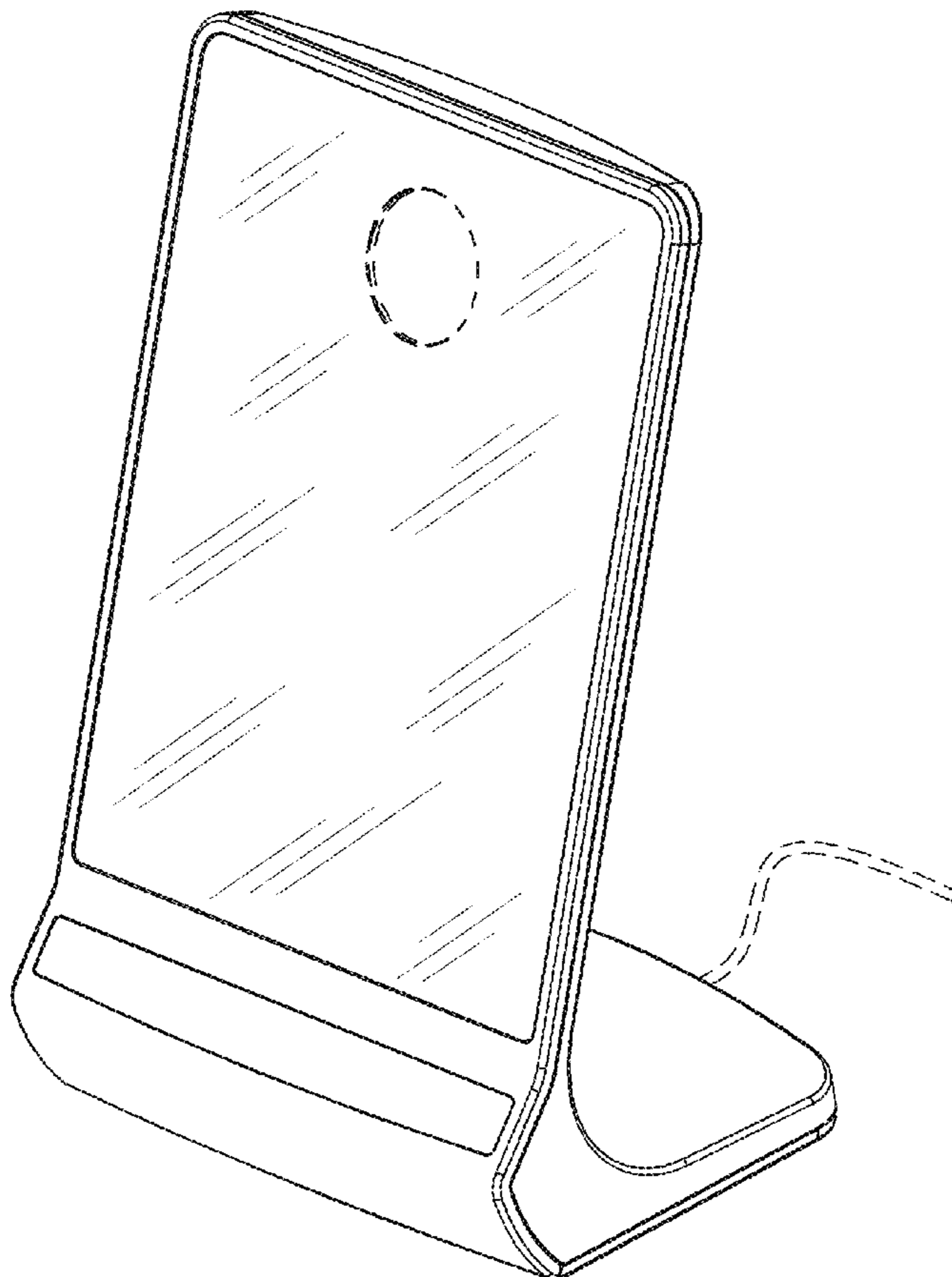
FIG. 1 is a first perspective view of the mirror for eyeglass fitting;
 FIG. 2 is a second perspective view thereof;
 FIG. 3 is a third perspective view thereof;
 FIG. 4 is a front view thereof;
 FIG. 5 is a first side view thereof;
 FIG. 6 is a second side view thereof;
 FIG. 7 is a top view thereof; and,
 FIG. 8 is a bottom view thereof.
 The broken lines immediately adjacent the shaded areas represent the bounds of the claimed design while all other broken lines are directed to environment and are for illustrative purposes only; the broken lines form no part of the claimed design.

1 Claim, 7 Drawing Sheets

(56) **References Cited**

U.S. PATENT DOCUMENTS

- D278,394 S * 4/1985 Goetz D6/310
- D370,355 S * 6/1996 Kenney D6/310



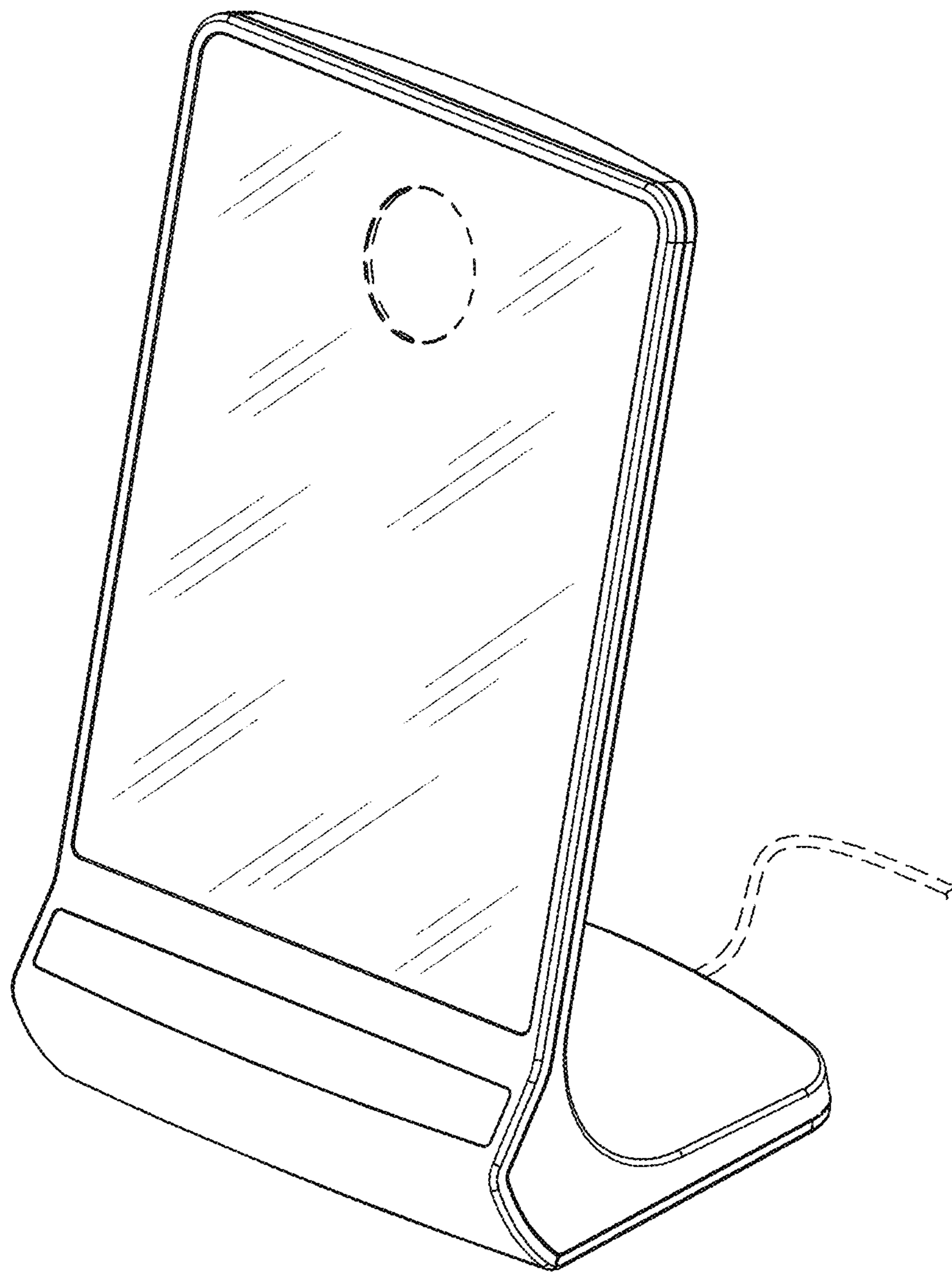


FIG. 1

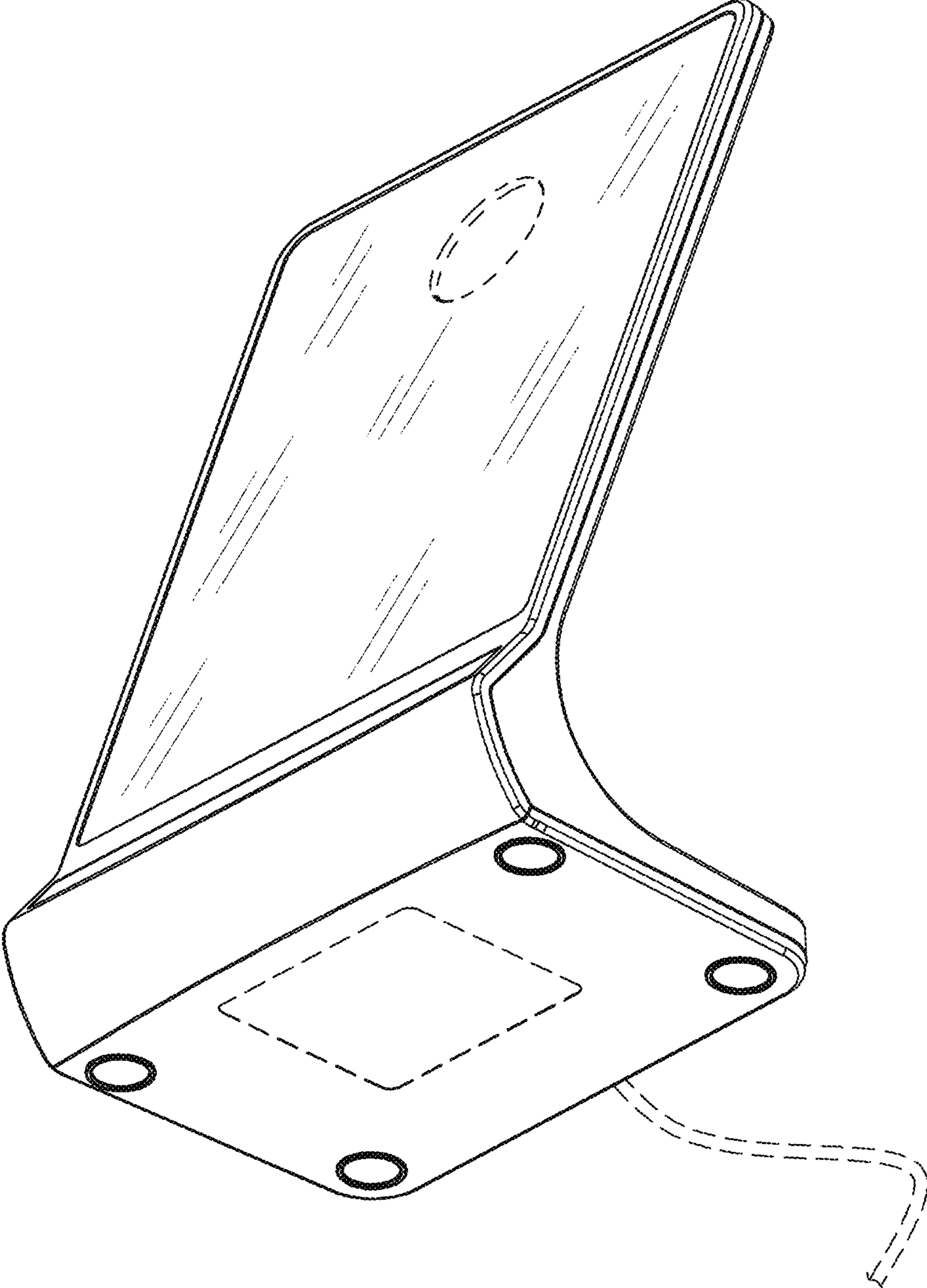


FIG. 2

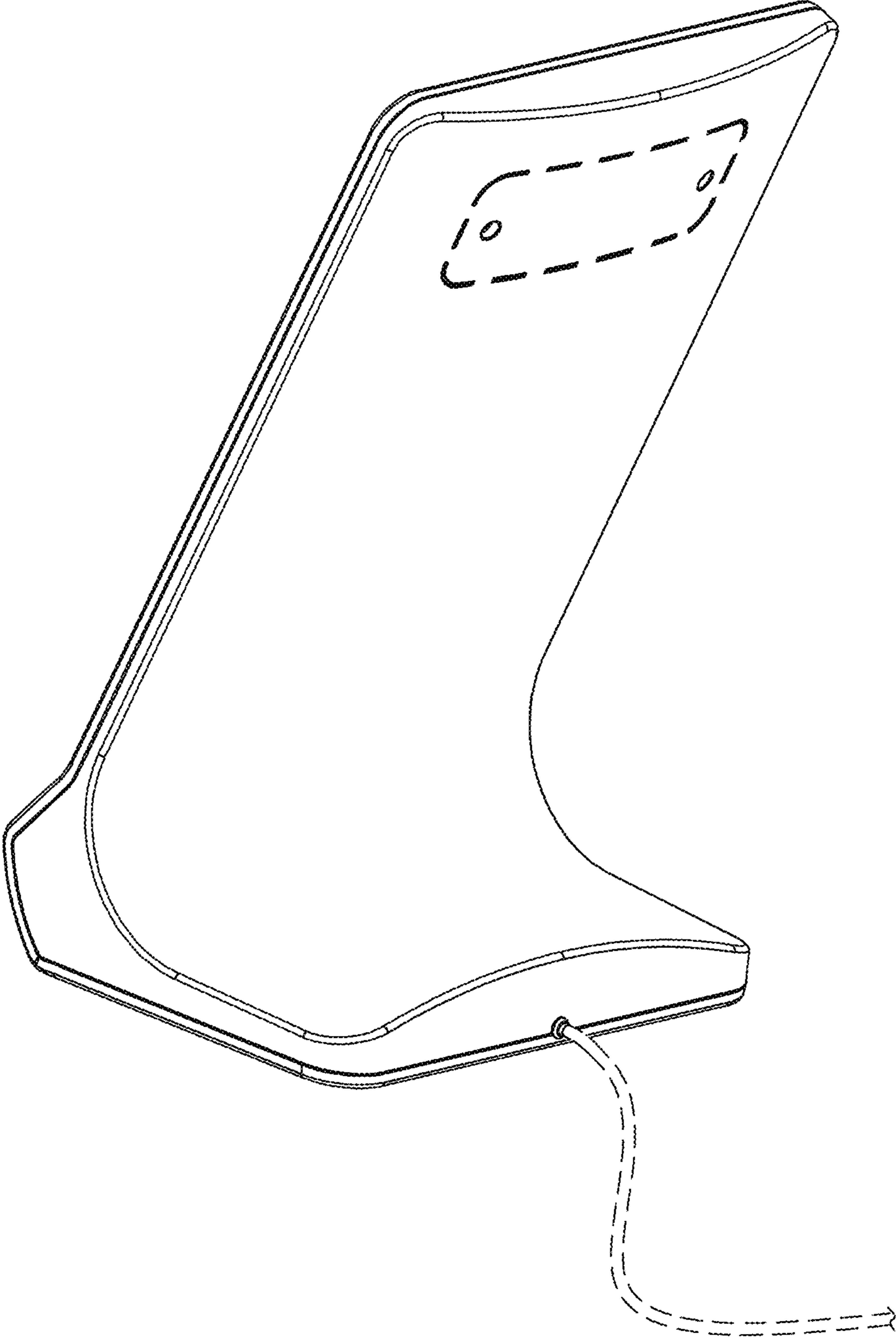


FIG. 3

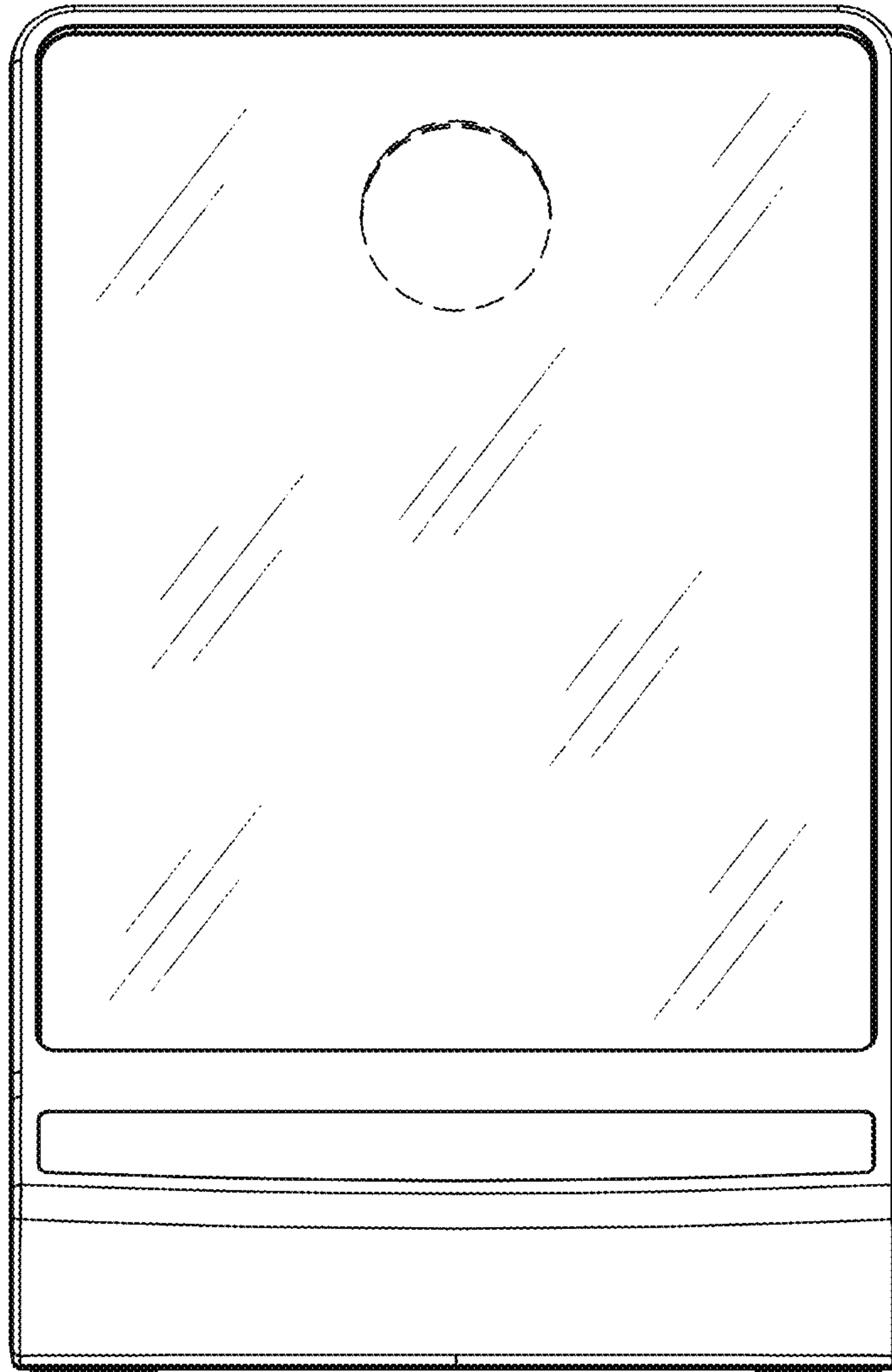


FIG. 4

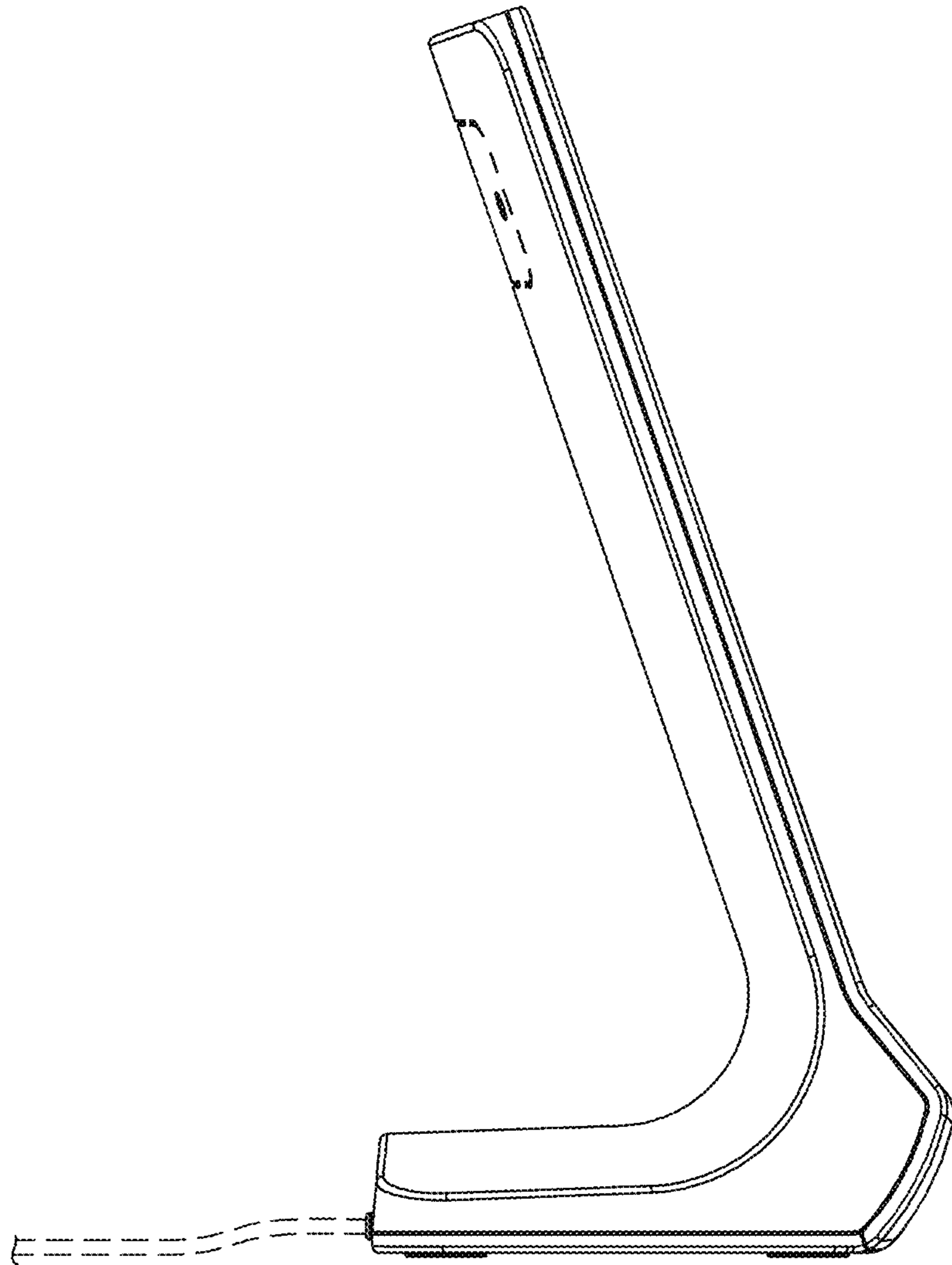


FIG. 5

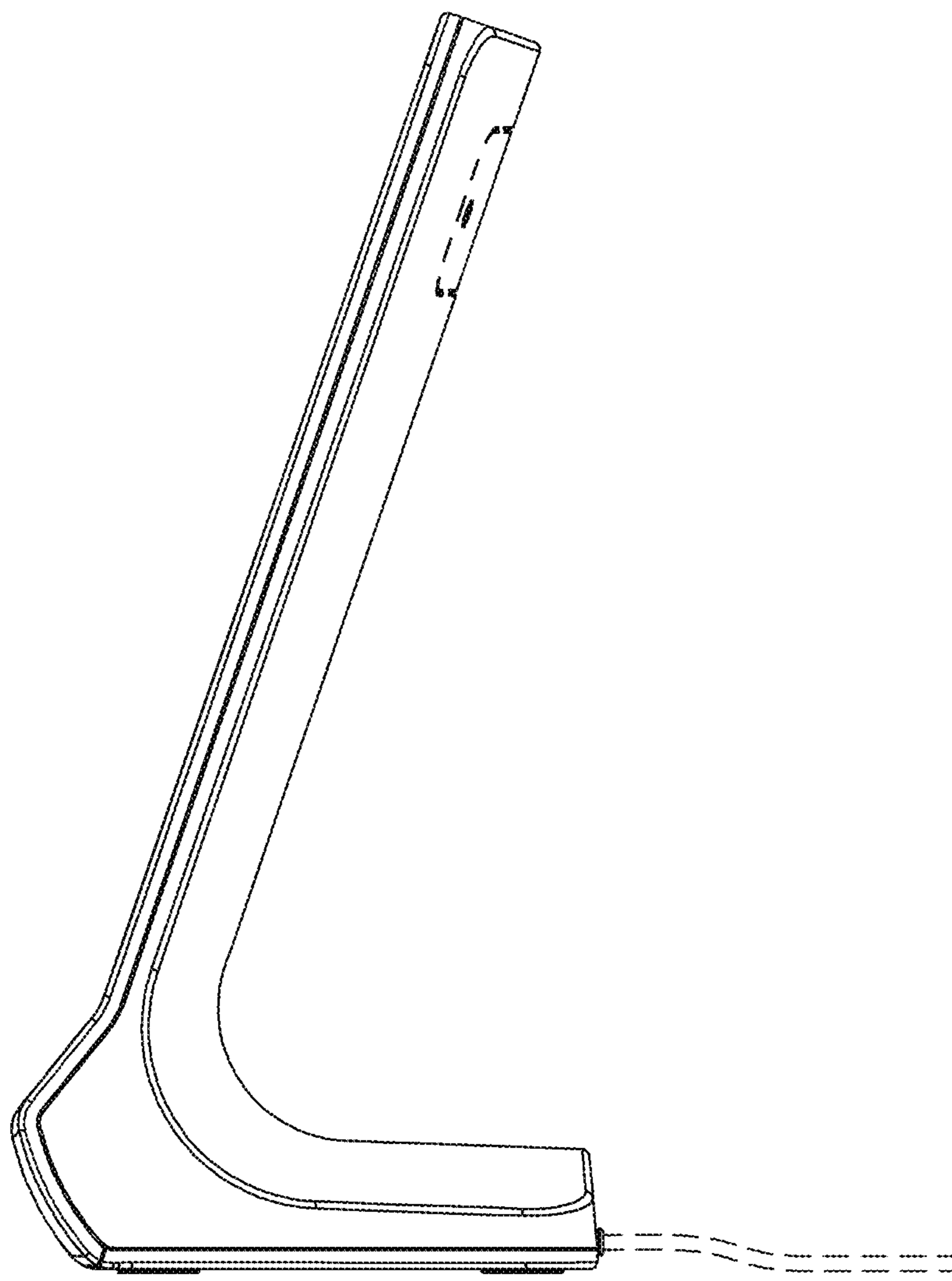


FIG. 6

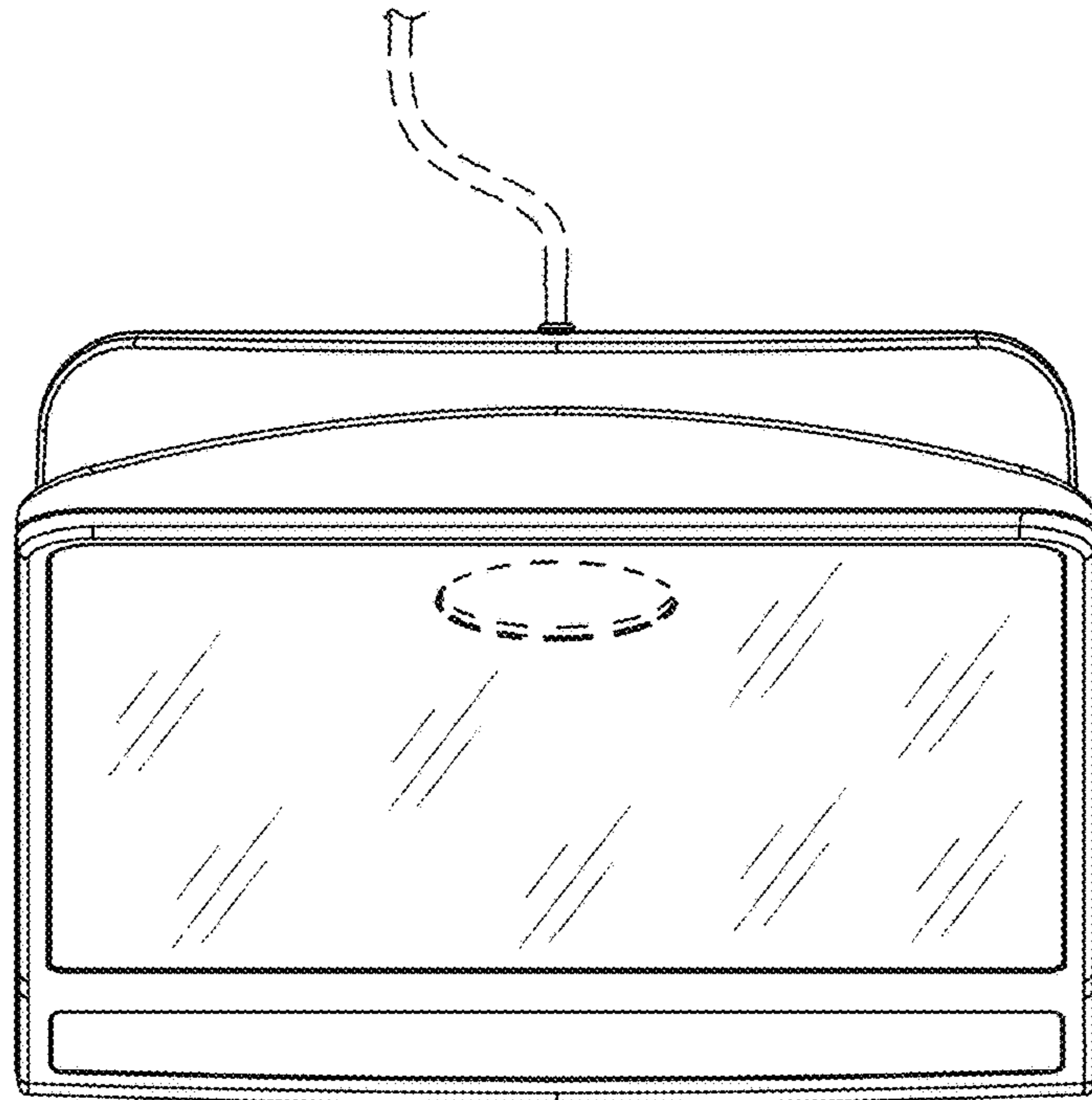


FIG. 7

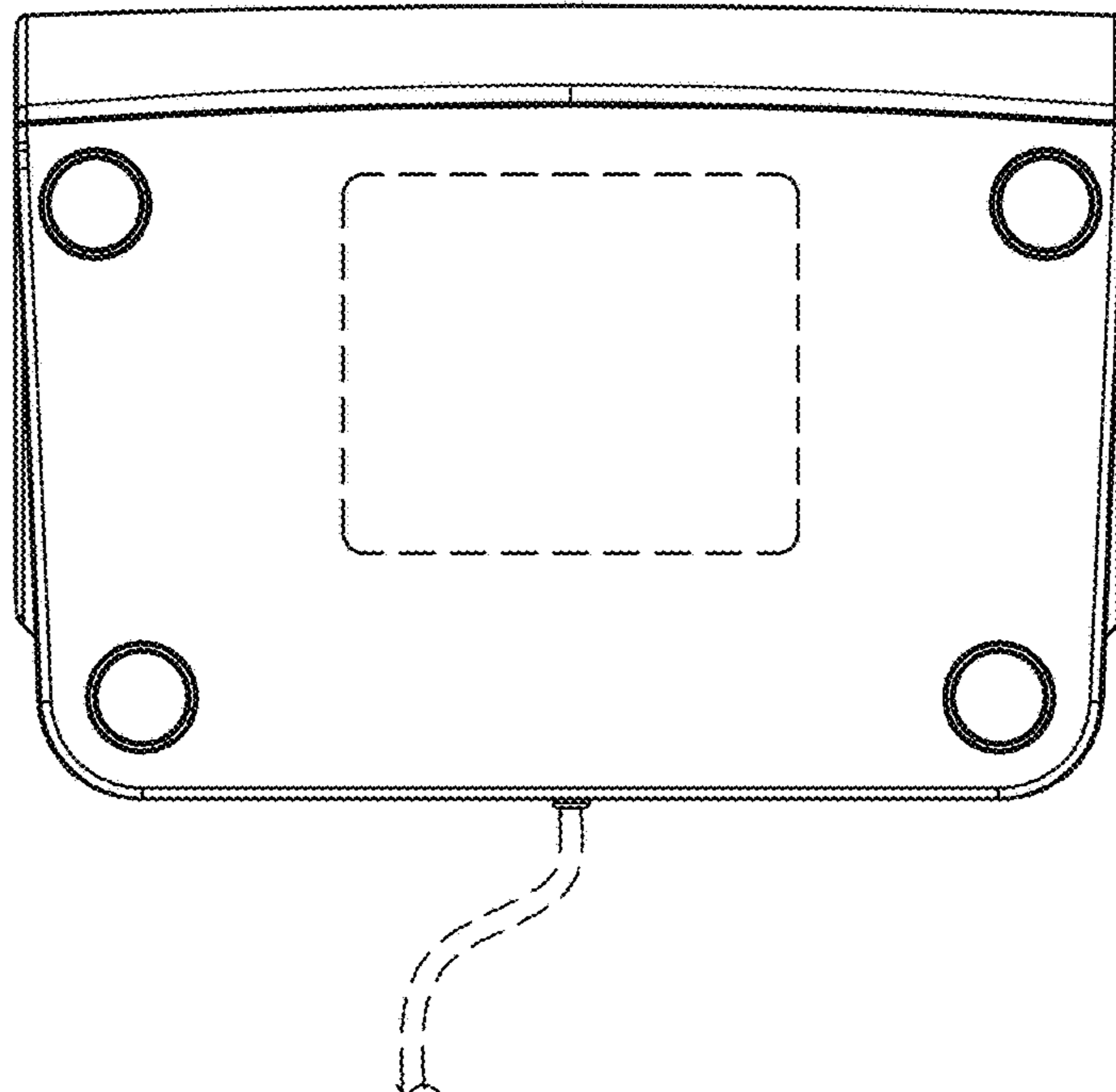


FIG. 8