



US00D787834S

(12) **United States Design Patent** (10) **Patent No.:** **US D787,834 S**  
**Cheung** (45) **Date of Patent:** **\*\* \*May 30, 2017**

- (54) **HAIR BRUSH**
- (71) Applicant: **Maggie Cheung**, Hong Kong (HK)
- (72) Inventor: **Maggie Cheung**, Hong Kong (HK)
- (\*) Notice: This patent is subject to a terminal disclaimer.
- (\*\*) Term: **14 Years**
- (21) Appl. No.: **29/508,760**
- (22) Filed: **Nov. 11, 2014**
- (51) **LOC (10) Cl.** ..... **04-02**
- (52) **U.S. Cl.**  
USPC ..... **D4/128**
- (58) **Field of Classification Search**  
USPC ..... D4/128, 129, 131, 136, 138, 108, 109,  
D4/119; D32/35, 51; 15/104.5, 104.16,  
15/104.2, 104.31, 104.32, 164, 165, 206;  
D28/65; D7/682; 452/298, 458  
CPC A46B 2200/10; A46B 2200/104; A45D 2/10;  
A45D 1/00; A46D 1/003; A46D 3/087  
See application file for complete search history.

(56) **References Cited**

**U.S. PATENT DOCUMENTS**

D456,144 S *	4/2002	Cheung	.....	D4/128
D469,257 S *	1/2003	Cheung	.....	D4/128
D472,715 S *	4/2003	Cheung	.....	D4/128
D652,219 S *	1/2012	Park	.....	D4/128
D653,038 S *	1/2012	Park	.....	D4/128
D658,892 S *	5/2012	Console	.....	D4/121
D668,054 S *	10/2012	Julemont	.....	D4/128
D679,910 S *	4/2013	Nimsgern	.....	D4/128
D696,026 S *	12/2013	Park	.....	D4/128
D696,028 S *	12/2013	Park	.....	D4/128
D720,138 S *	12/2014	Schuler	.....	D4/128
D721,505 S *	1/2015	Schuler	.....	D4/128

D724,268 S *	3/2015	Gardella	.....	D28/37
D730,060 S *	5/2015	Rennette	.....	D4/128
D730,061 S *	5/2015	Rennette	.....	D4/128

\* cited by examiner

*Primary Examiner* — Austin Murphy

(74) *Attorney, Agent, or Firm* — Jeffrey Sonnabend;  
SonnabendLaw

(57) **CLAIM**

What is claimed is the ornamental design of a hair brush, as shown and described.

**DESCRIPTION**

FIG. 1 is a front view of the brush portion of the claimed design. The handle shown removed for completeness of illustration.

FIG. 2 is a front view of the brush portion of the claimed design with the handle shown in broken in its operational position.

FIG. 3 is a top view of FIG. 1

FIG. 4 is a bottom view of FIG. 1

FIG. 5 is an elevation view of the handle portion of the claimed design. The brush is shown removed for completeness of illustration.

FIG. 6 is a top and front perspective view of FIG. 5

FIG. 7 is a top and rear perspective view of FIG. 5

FIG. 8 a bottom and front perspective view of FIG. 5.

FIG. 9 a bottom and rear perspective view of FIG. 5.

FIG. 10 is a top and front perspective view of the claimed design showing the handle attached to the brush in a position of use.

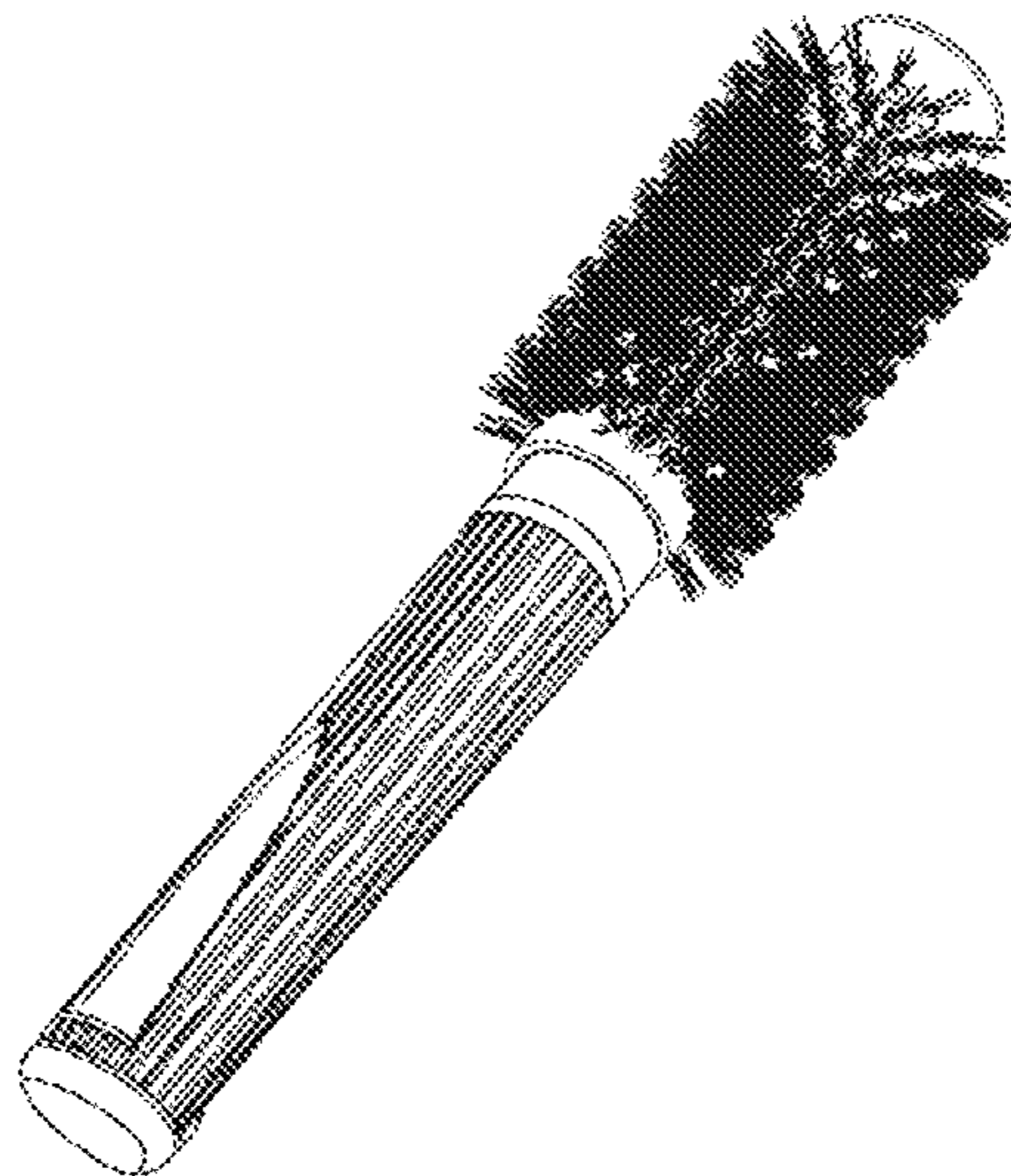
FIG. 11 is a top and rear perspective view of FIG. 10

FIG. 12 is a bottom and front perspective view of FIG. 10

FIG. 13 is a bottom and rear perspective view of FIG. 10; and,

FIG. 14 is a bottom view of FIG. 10.

**1 Claim, 14 Drawing Sheets**



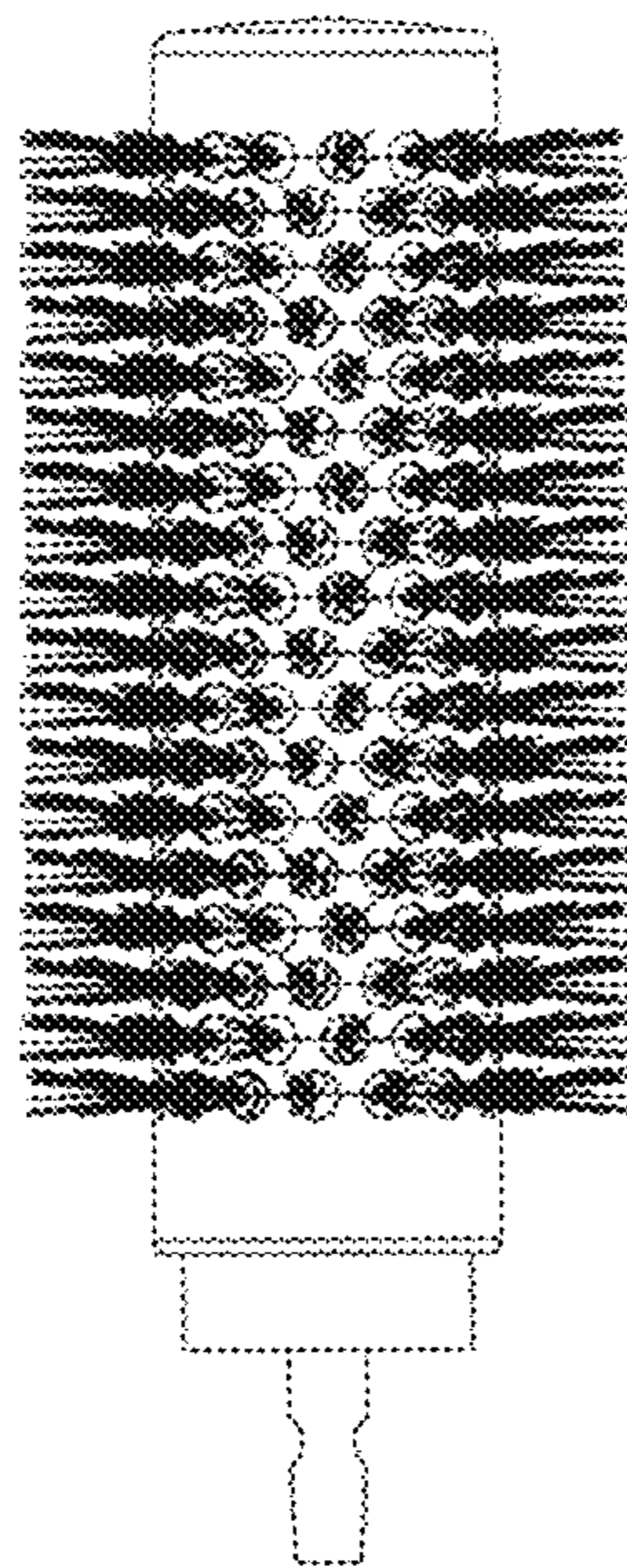


Figure 1

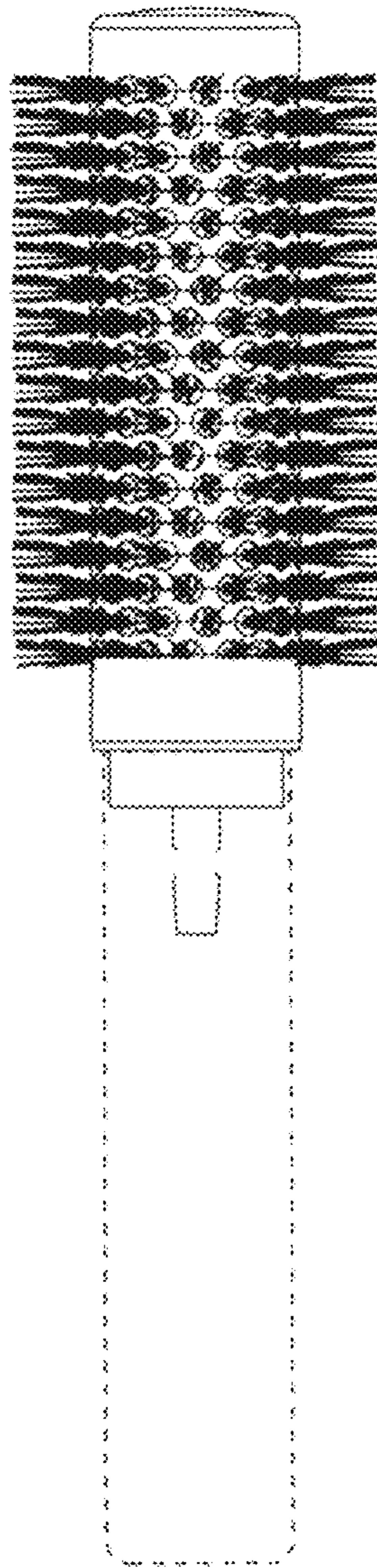


Figure 2

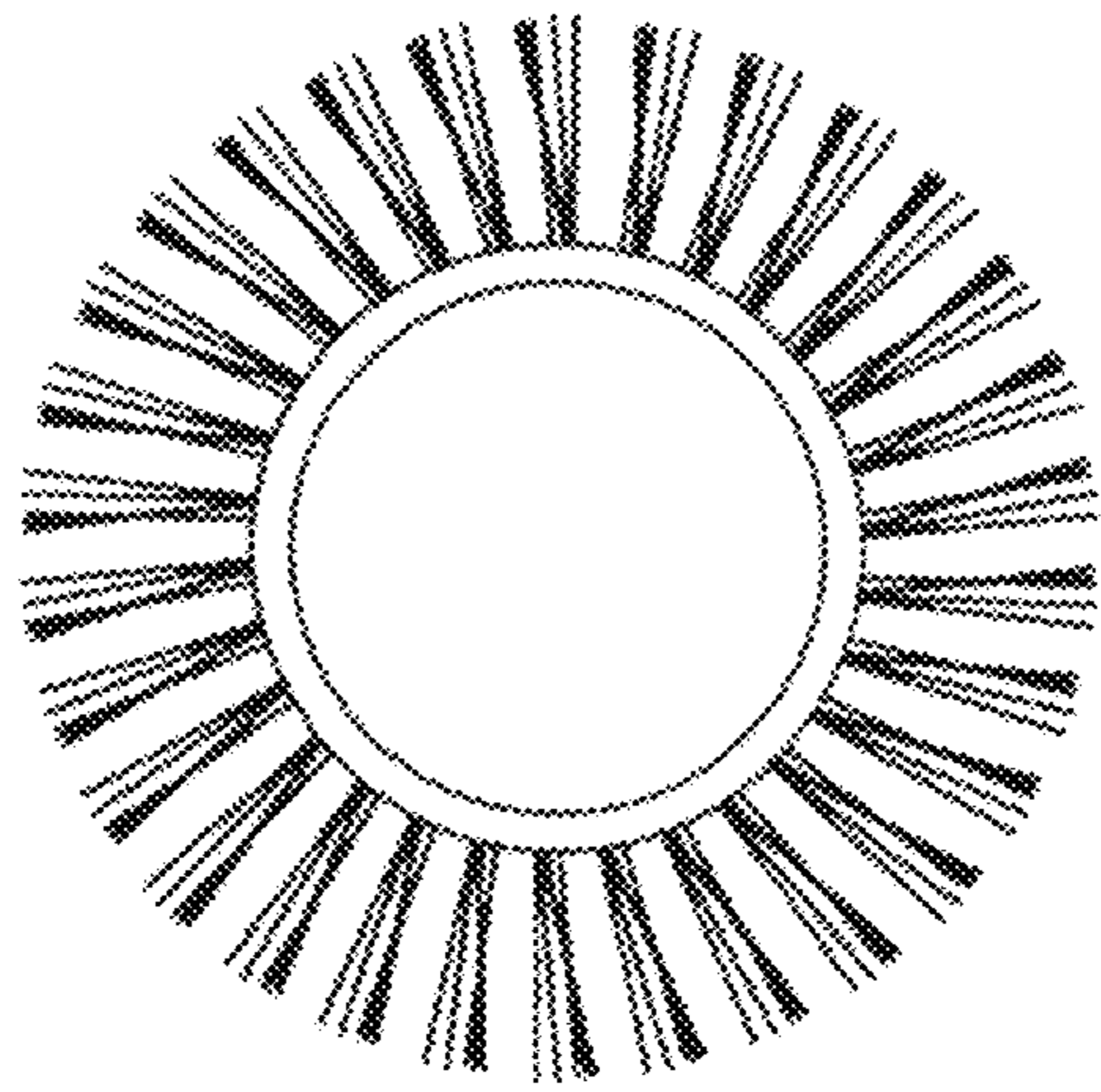


Figure 3

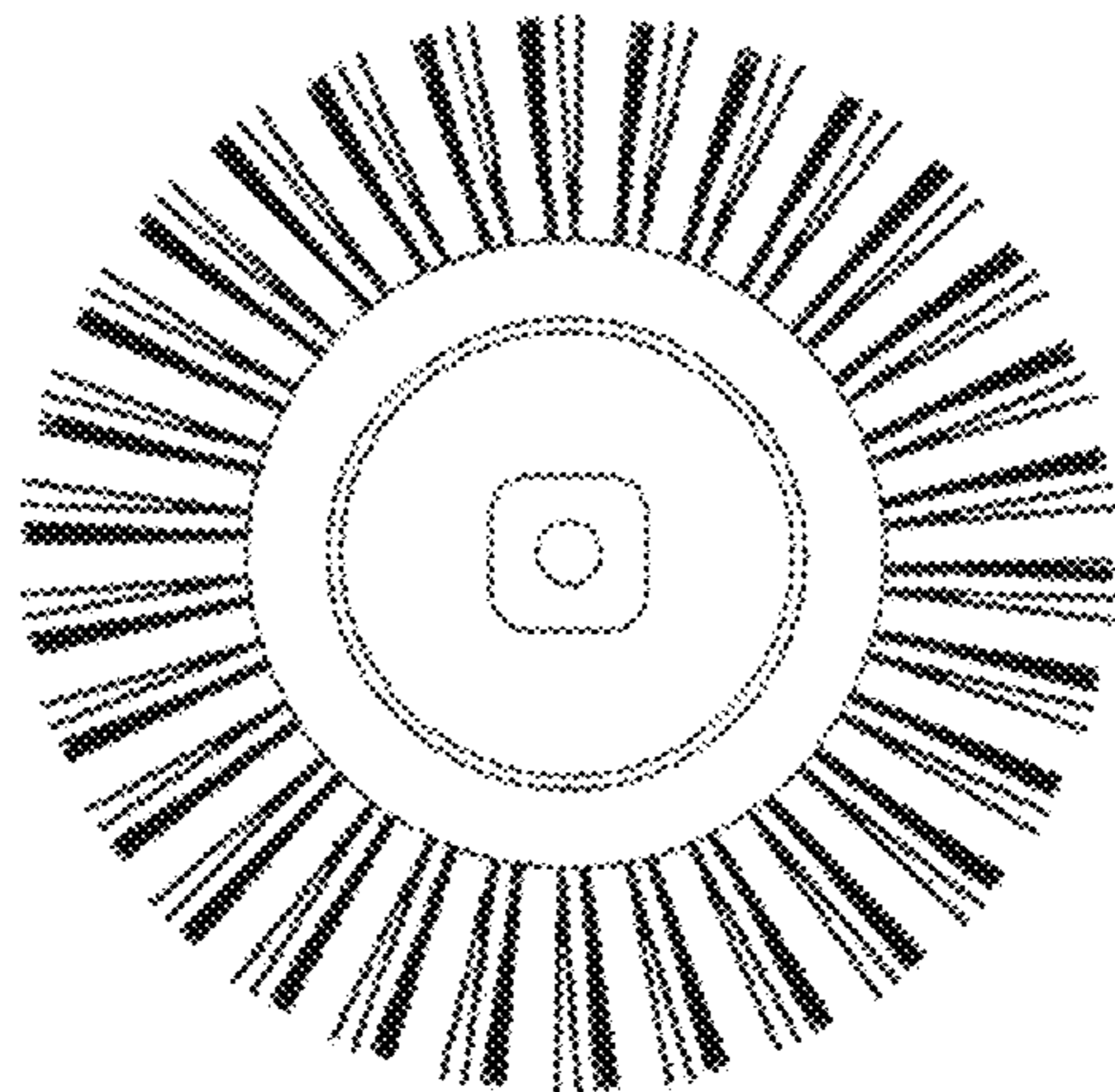


Figure 4

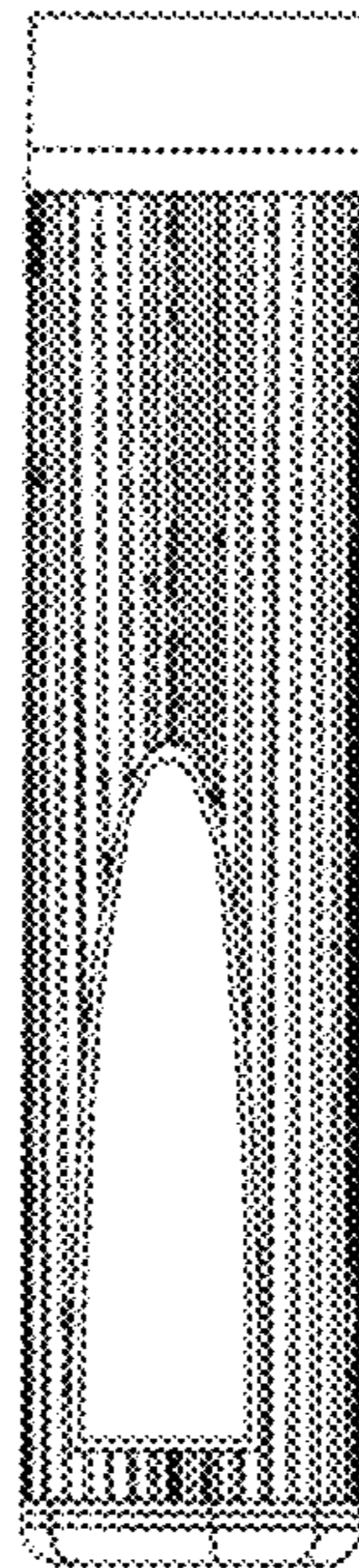


Figure 5

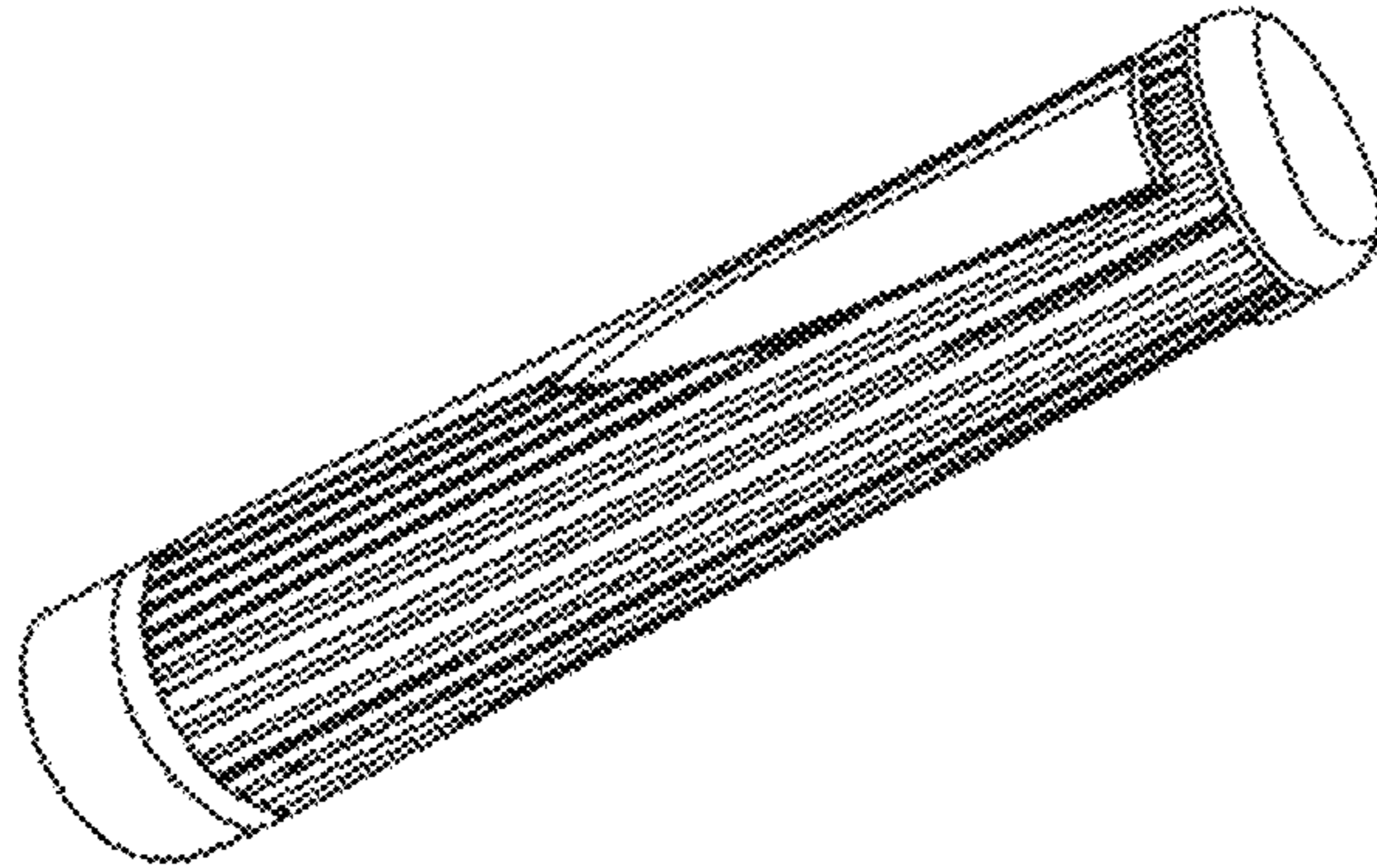


Figure 6

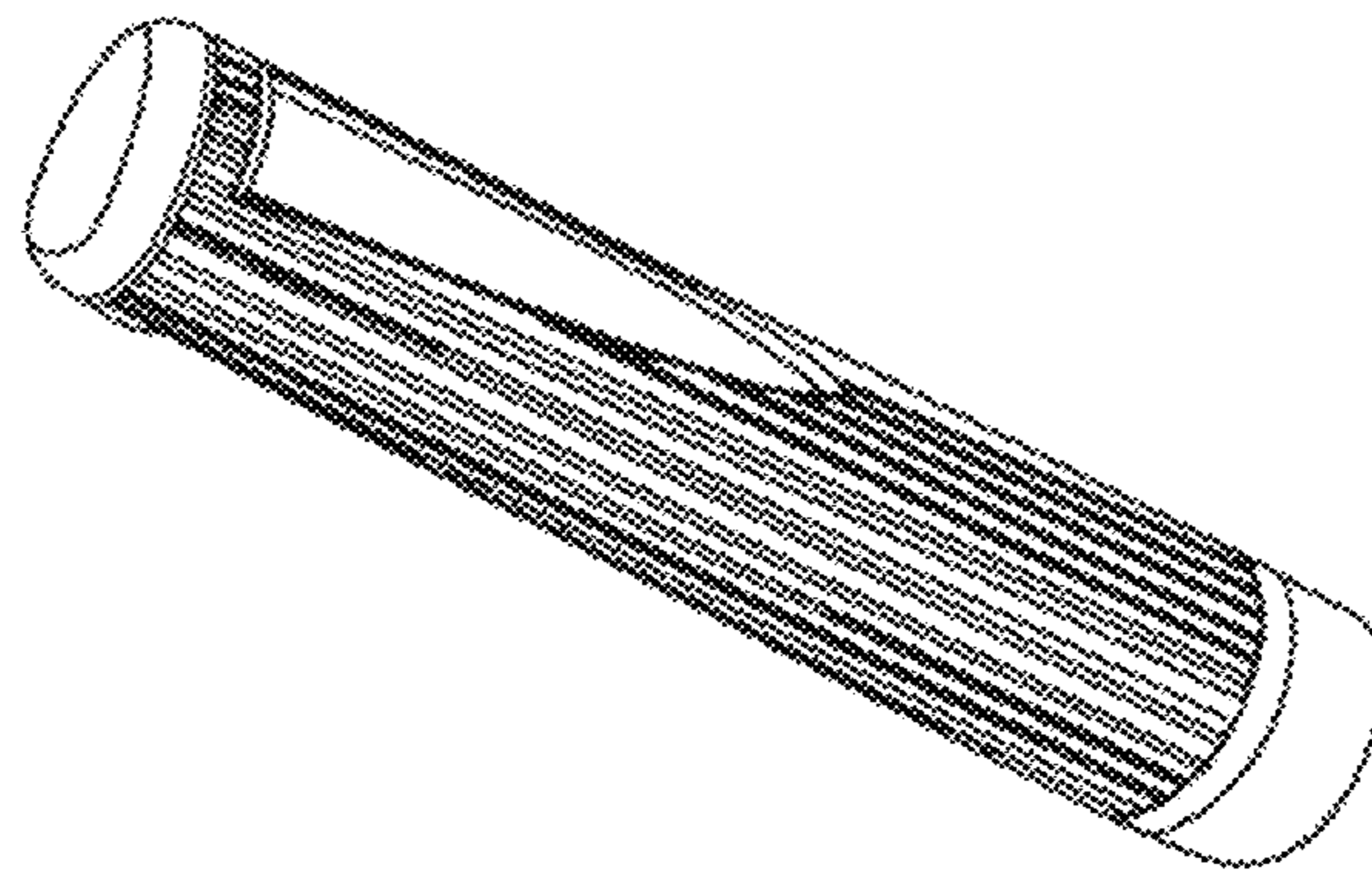


Figure 7



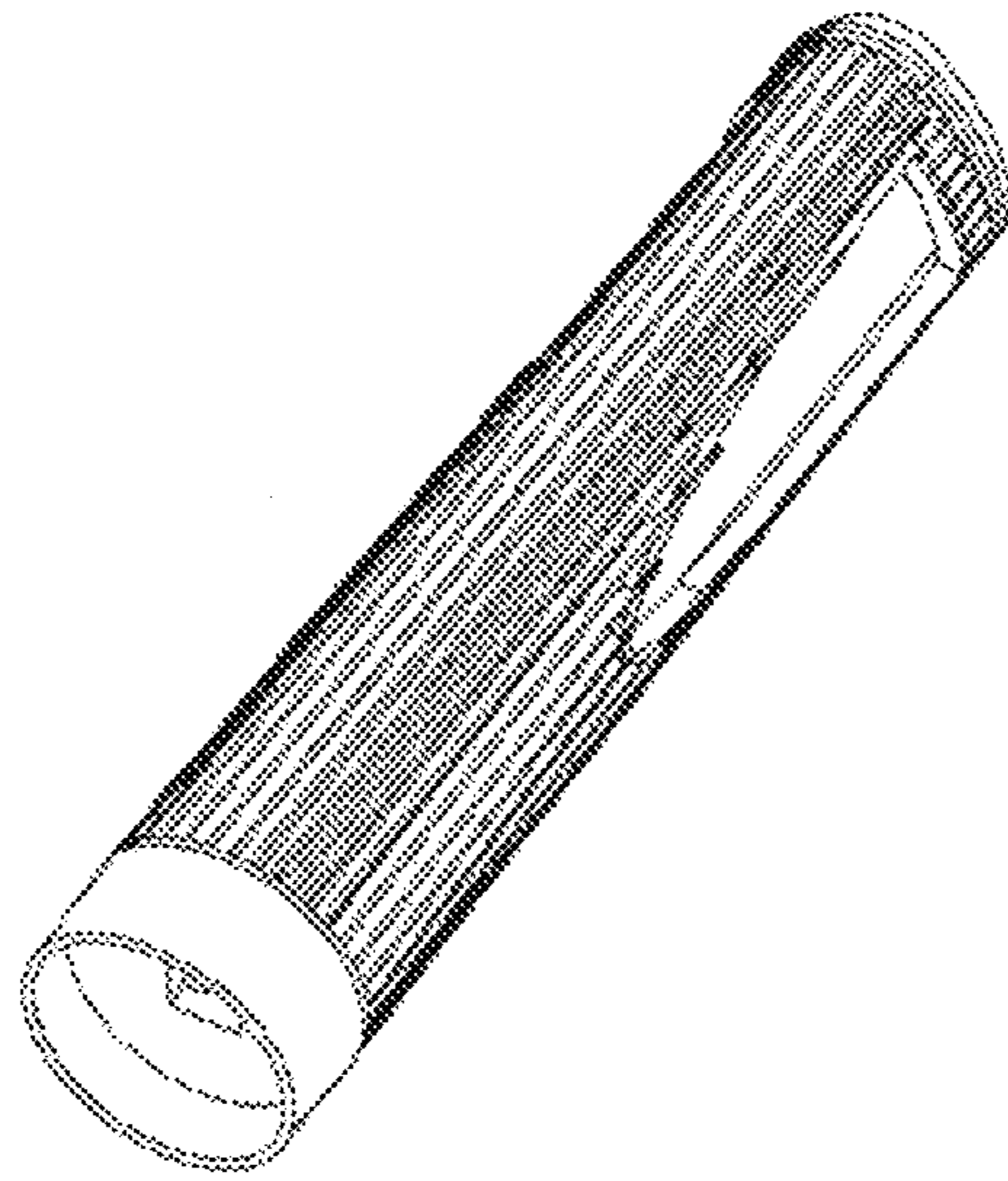


Figure 8

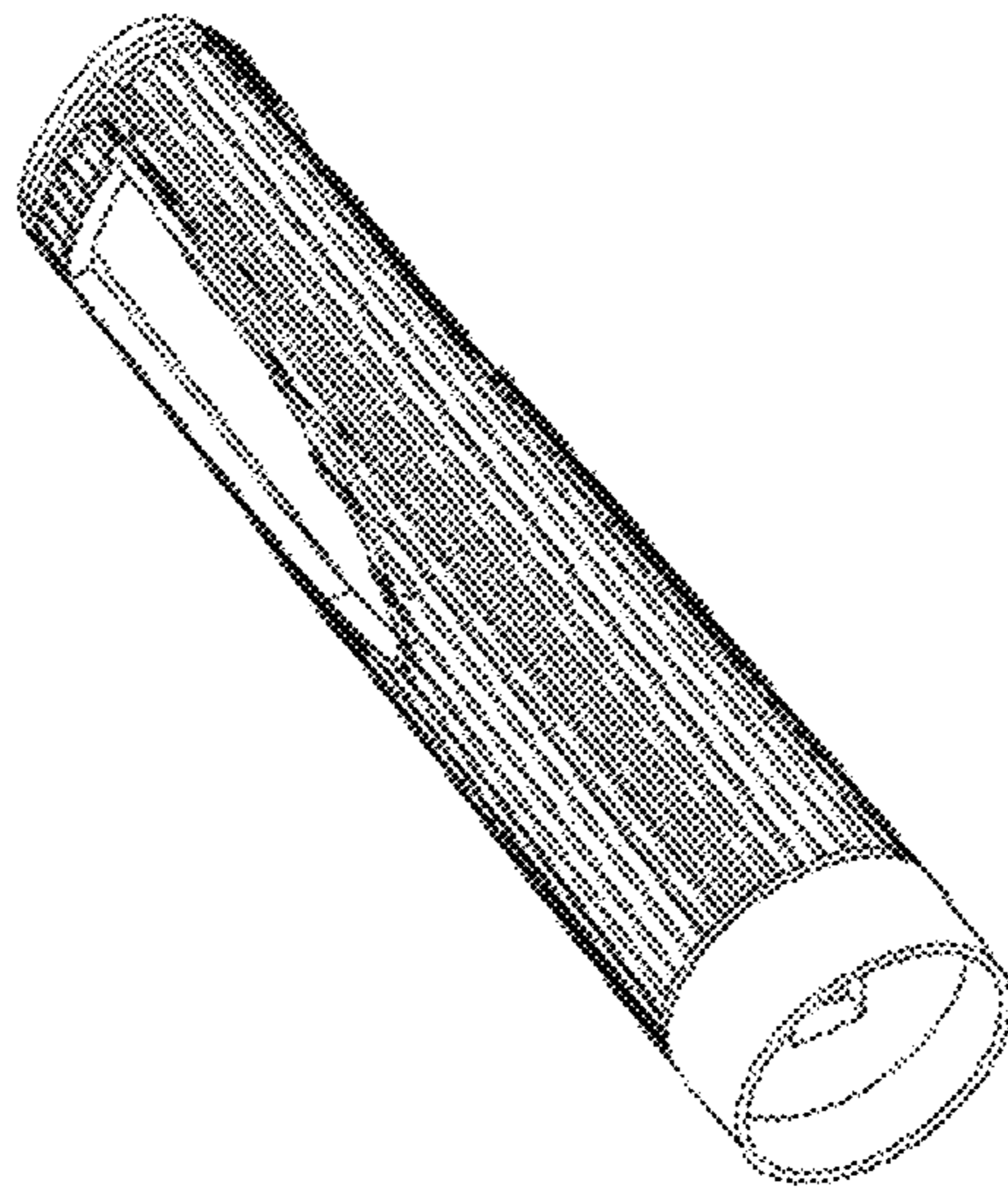


Figure 9



Figure 10

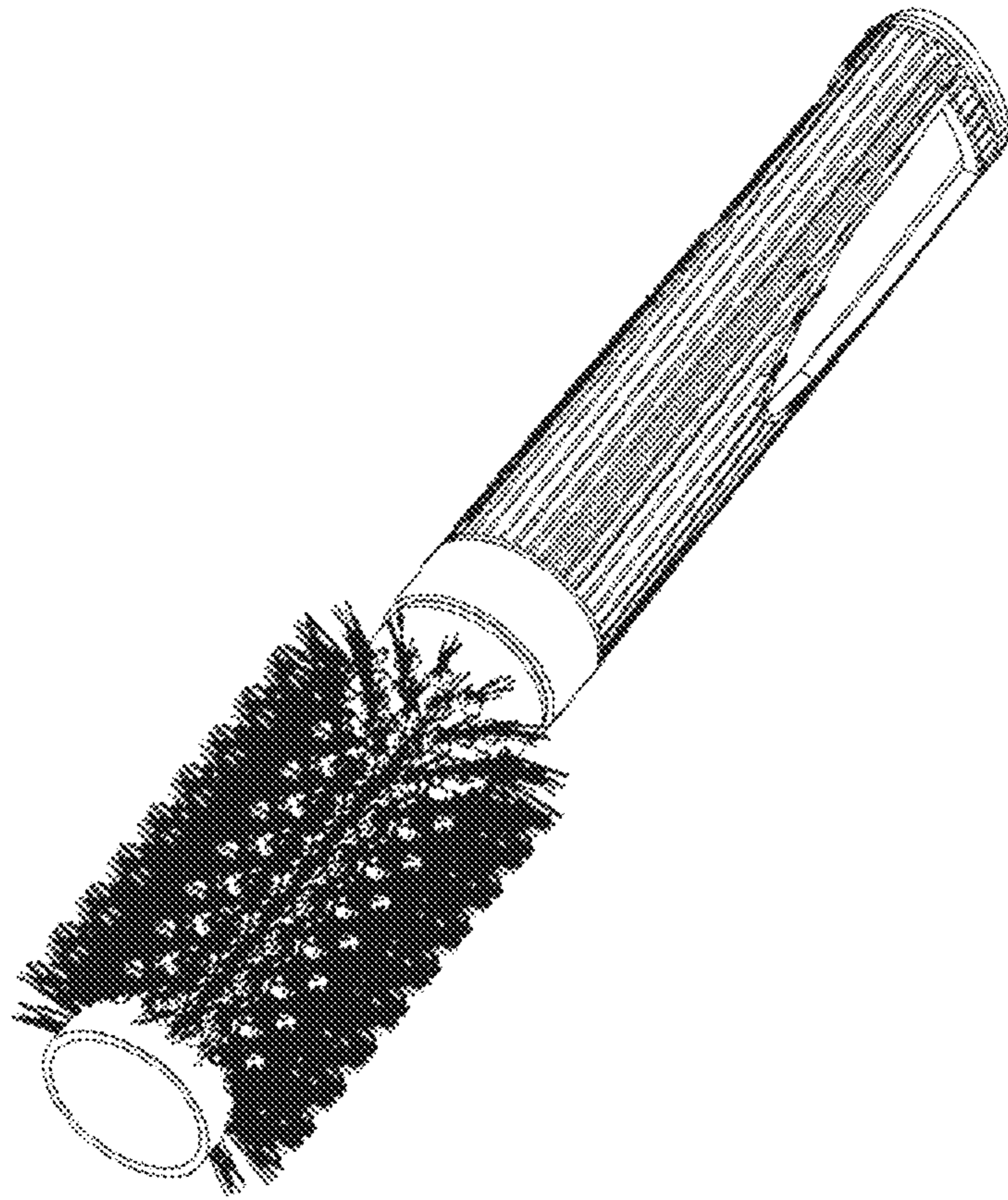


Figure 11

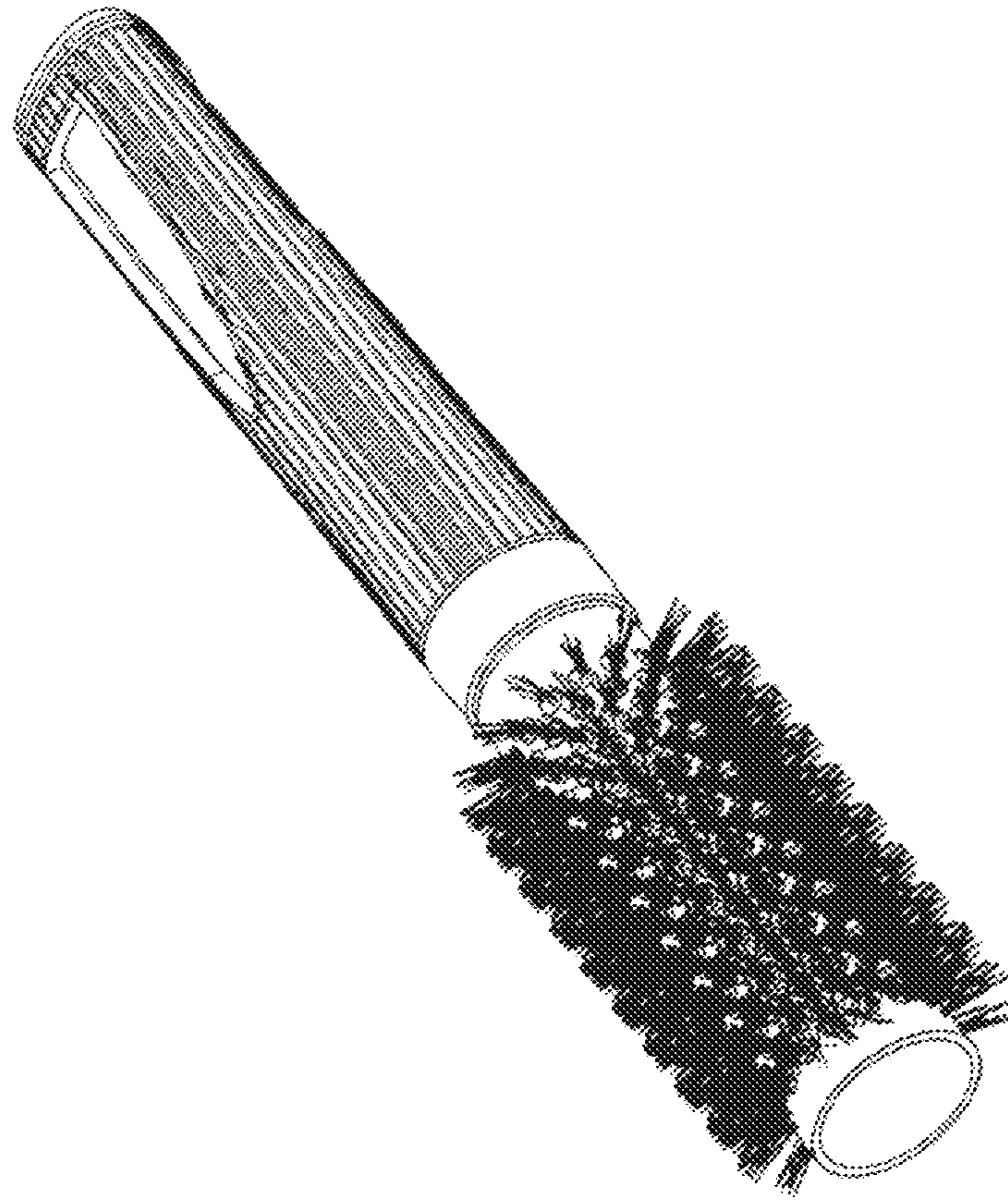


Figure 12



Figure 13

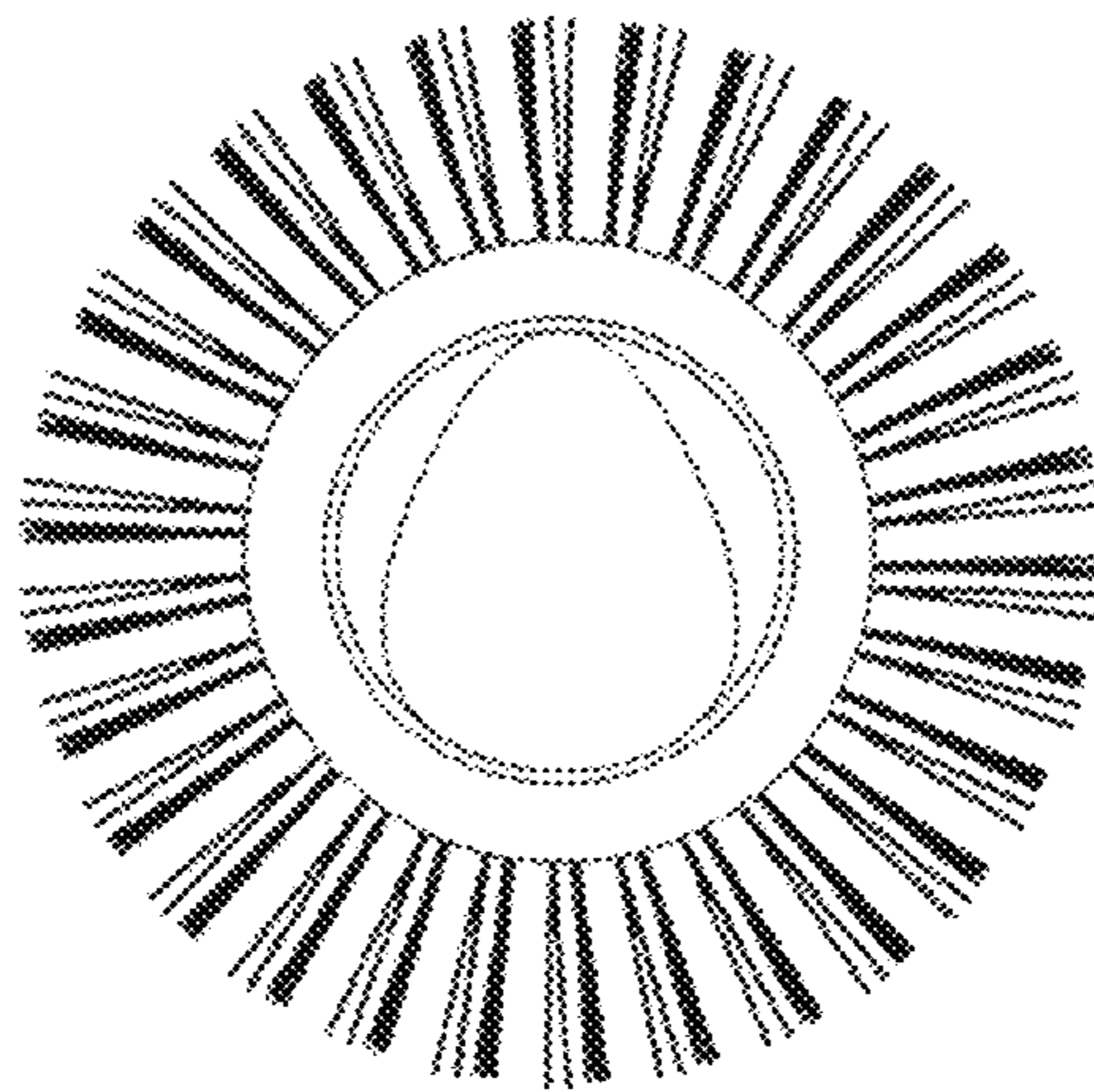


Figure 14