



US00D787832S

(12) **United States Design Patent**
Ferguson

(10) **Patent No.:** **US D787,832 S**

(45) **Date of Patent:** **** May 30, 2017**

(54) **SHOE ATTACHABLE BRUSH**

(71) Applicant: **Wes Ferguson**, Cartersville, GA (US)

(72) Inventor: **Wes Ferguson**, Cartersville, GA (US)

(**) Term: **15 Years**

(21) Appl. No.: **29/557,360**

(22) Filed: **Mar. 8, 2016**

(51) **LOC (10) Cl.** **04-01**

(52) **U.S. Cl.**

USPC **D4/116**; D2/946; D32/47

(58) **Field of Classification Search**

USPC D4/116, 130, 134; D2/946; D32/43, 47
CPC A45D 24/18; A45D 44/18; A46B 5/0095;
A46B 15/0055; A46B 15/0071; A46B
15/0081; A46B 15/0087; A46B 17/04;
A46B 2200/1066; A46B 2200/3073;
A46D 1/10; A61C 15/048; A61C 17/34;
A61C 17/222; A63B 21/00; A63B 57/60;
A43C 15/02; A43C 15/063; A47L 13/282

See application file for complete search history.

(56) **References Cited**

U.S. PATENT DOCUMENTS

2,547,812 A * 4/1951 Carabatsos A43C 15/02
36/7.7
3,460,182 A * 8/1969 Grande, Jr. A47L 13/282
15/227

3,699,672 A 10/1972 Sims
D274,854 S * 7/1984 Nishiyama D32/50
D405,572 S * 2/1999 Bouchez D32/40
6,393,648 B1 5/2002 Reynolds
D653,455 S * 2/2012 Cynewski D4/124
8,375,501 B1 * 2/2013 Courcy A63B 57/60
15/160
8,413,352 B2 4/2013 Watkins
D718,920 S * 12/2014 Jones D2/946

* cited by examiner

Primary Examiner — Keli L Hill

(74) *Attorney, Agent, or Firm* — Stevenson IP, LLC

(57) **CLAIM**

The ornamental design for a shoe attachable brush, as shown and described.

DESCRIPTION

FIG. 1 is a right side elevation view of a shoe attachable brush showing my new design, the opposite side being a mirror image of the shown;

FIG. 2 is a rear elevation view thereof;

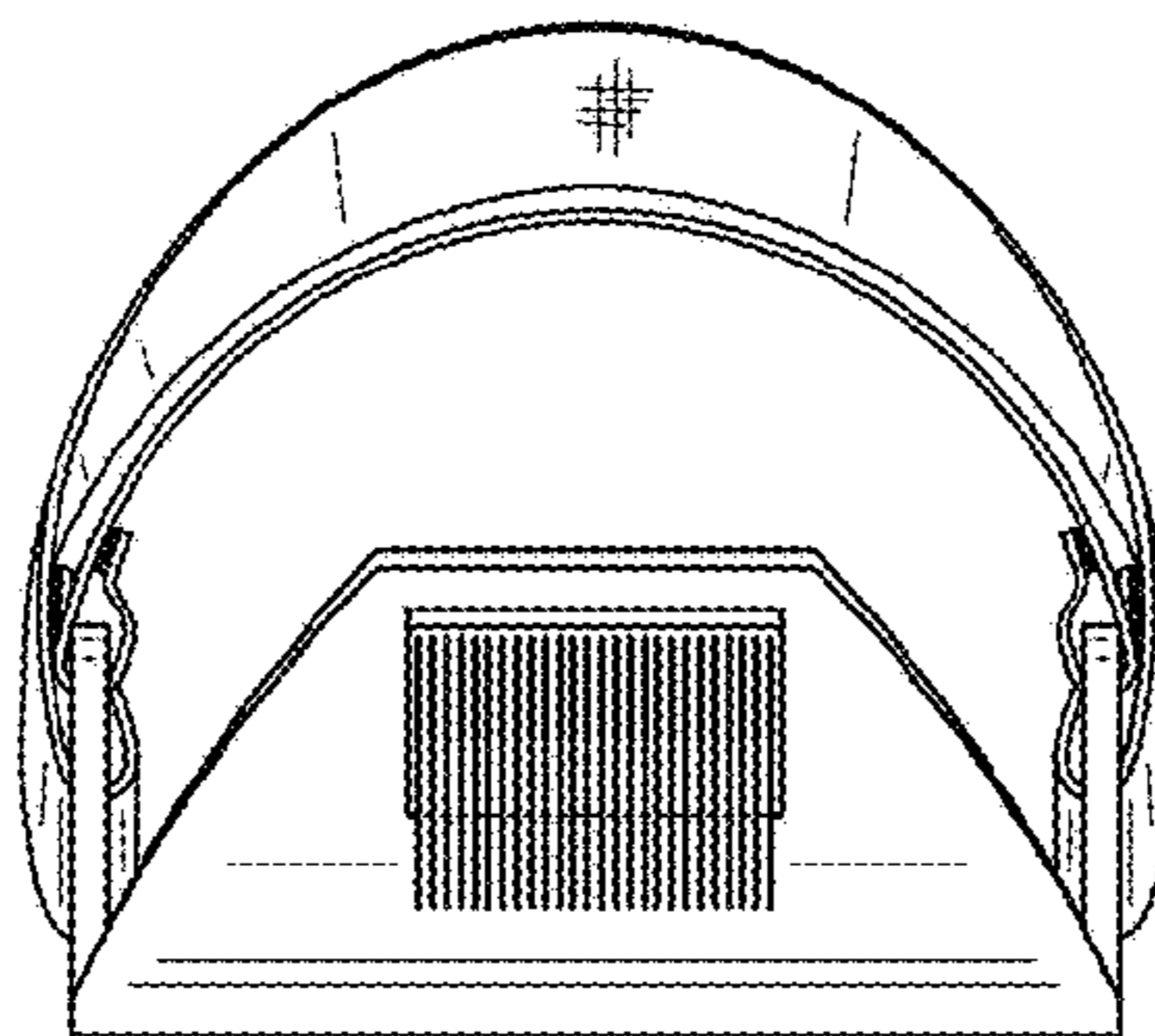
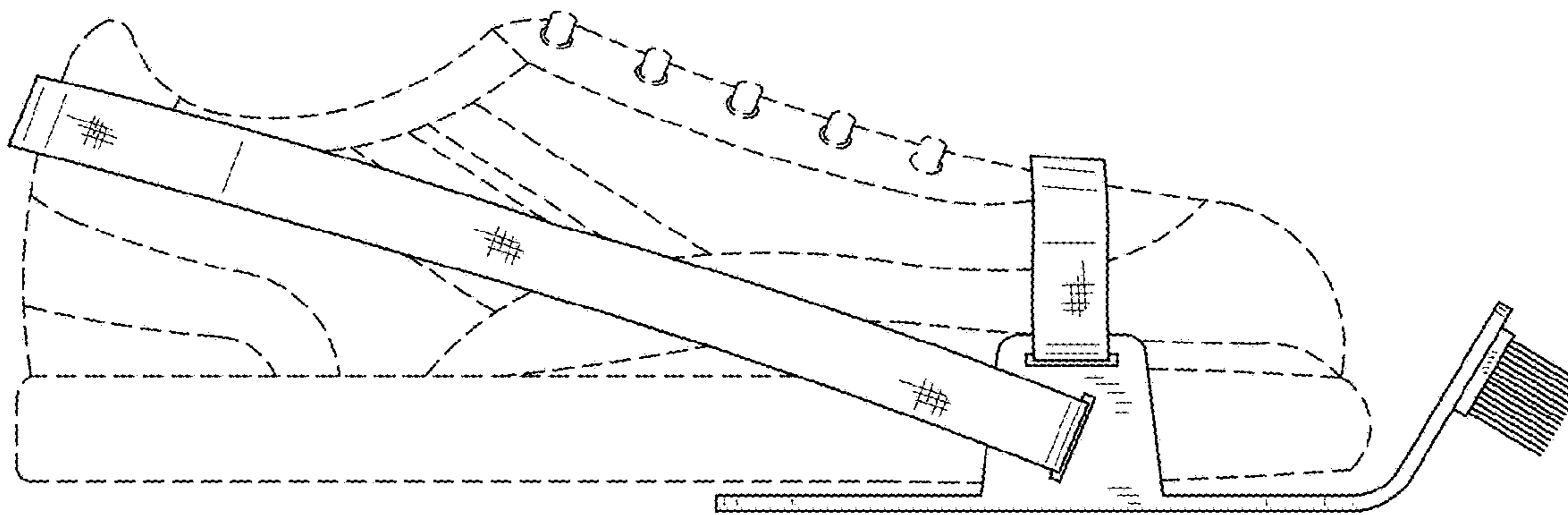
FIG. 3 is front elevation view thereof;

FIG. 4 is a top plan view thereof; and,

FIG. 5 is a bottom plan view thereof.

The broken lines in FIG. 1 of the drawings depict a shoe as environmental subject matter only and form no part of the claimed design.

1 Claim, 3 Drawing Sheets



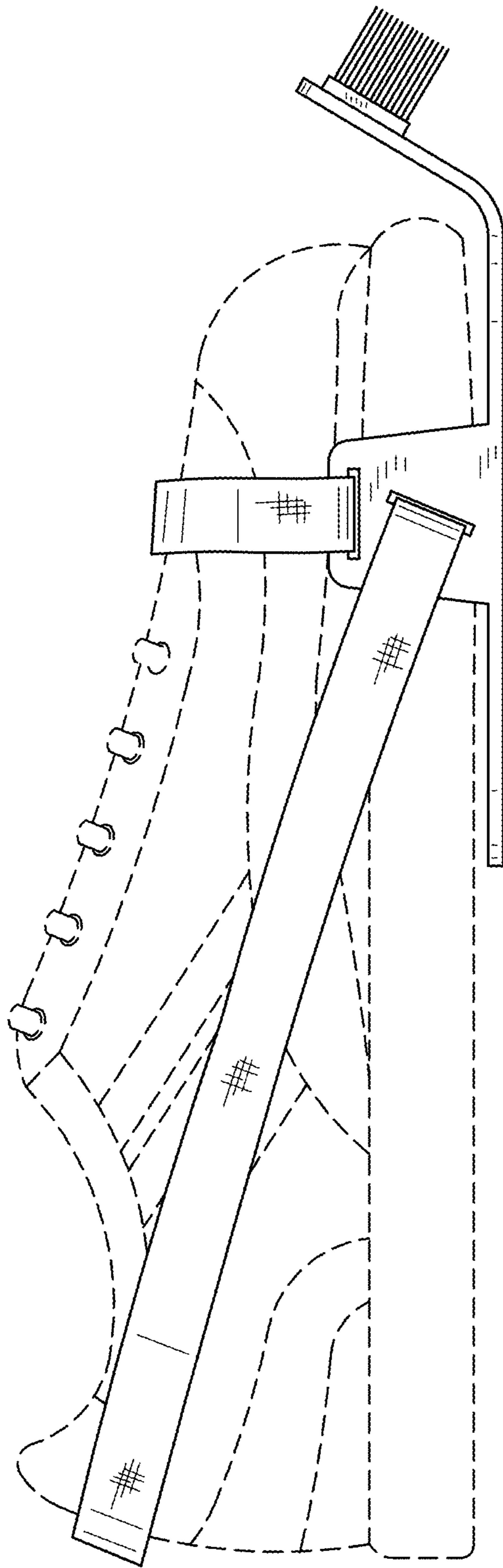


FIG. 1

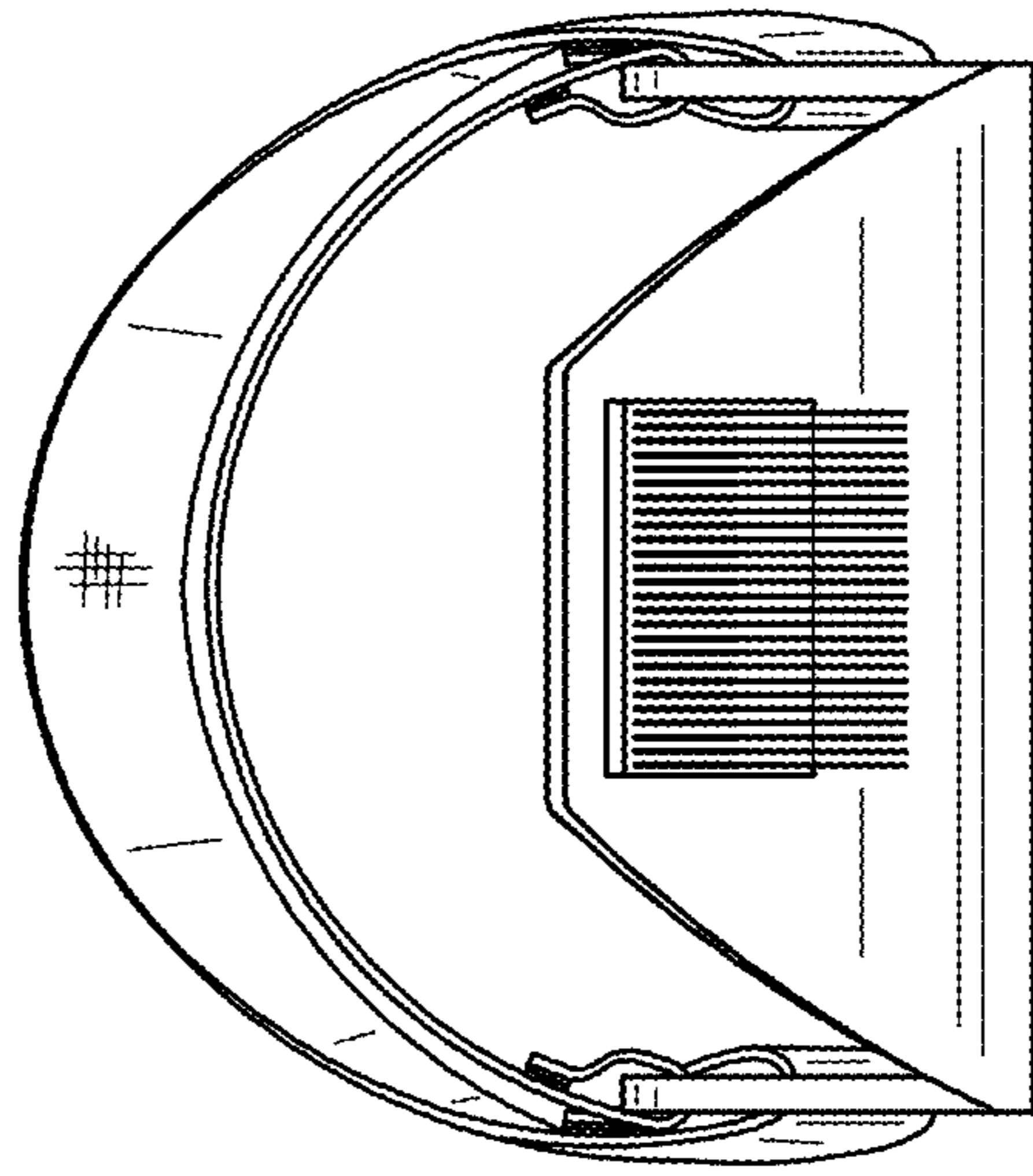


FIG. 2

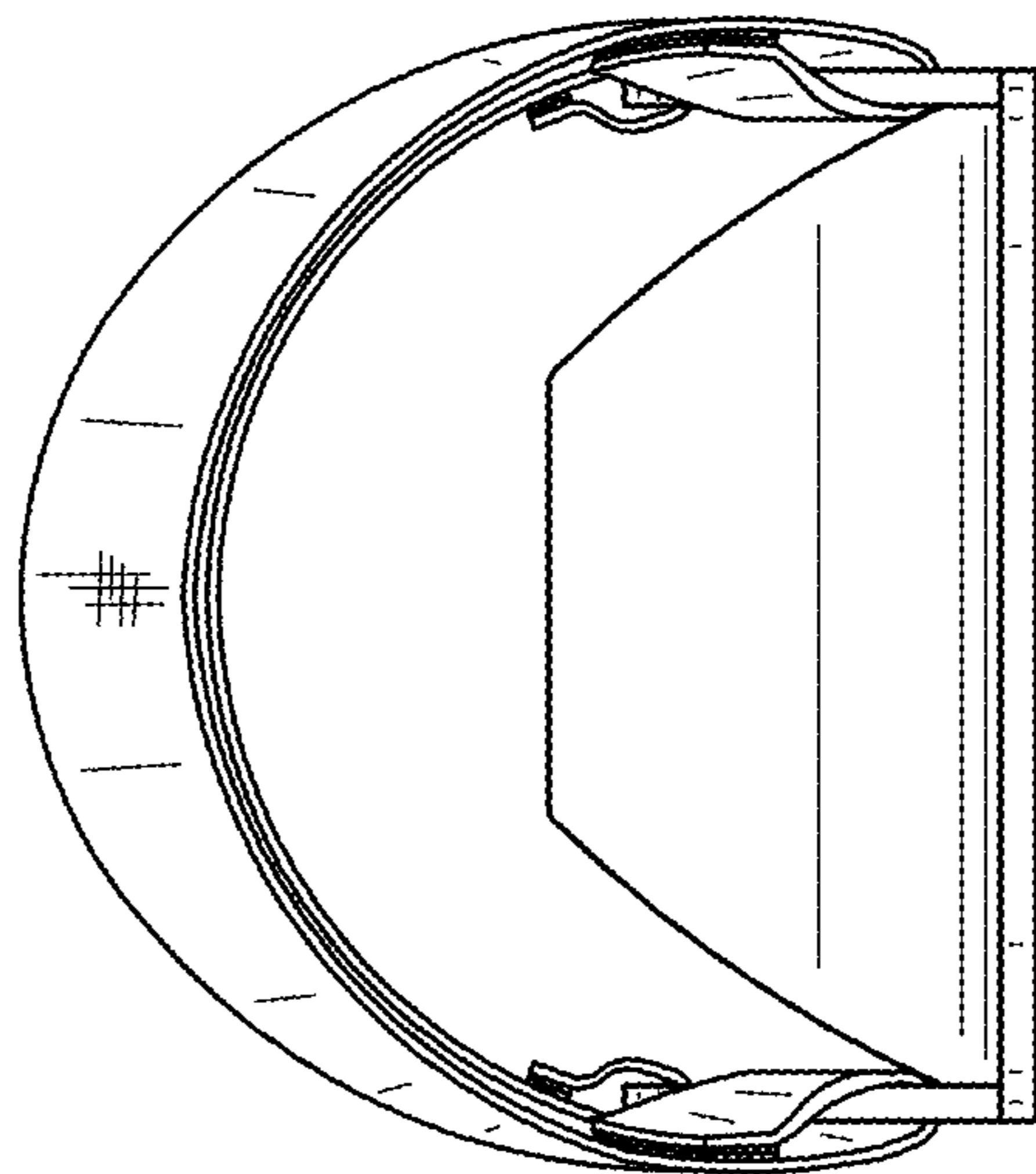


FIG. 3

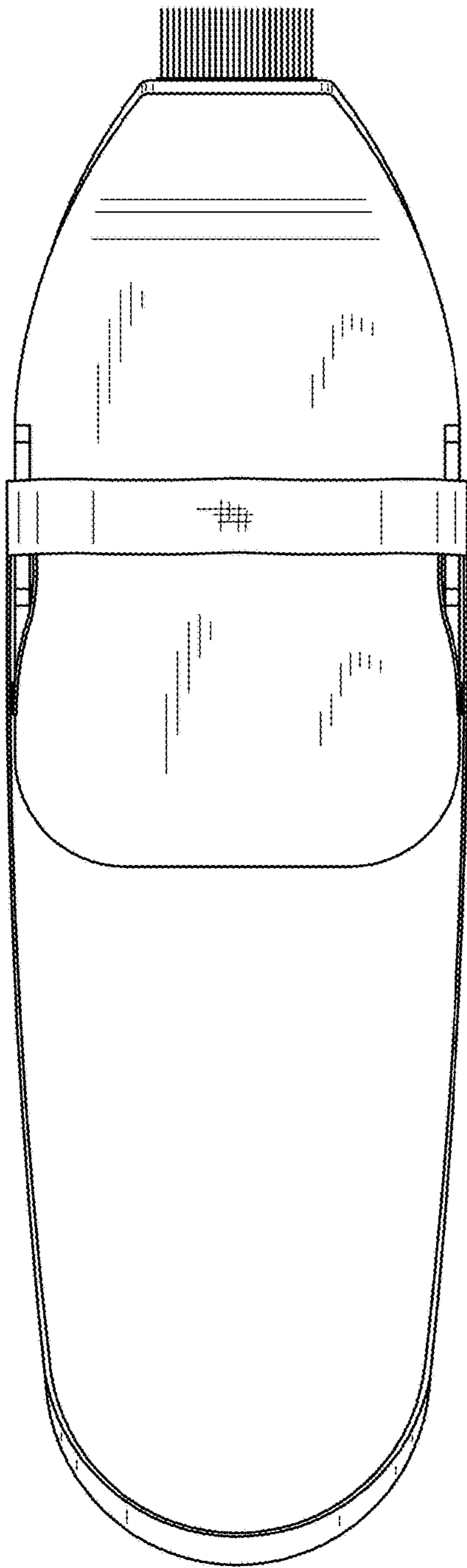


FIG. 4

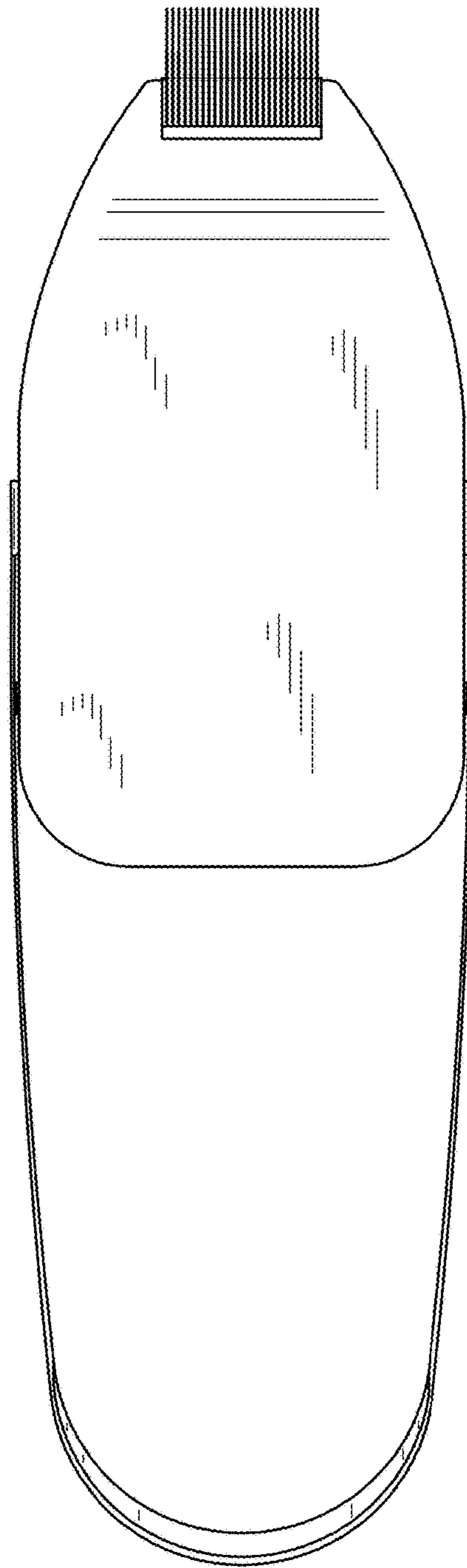


FIG. 5