



US00D787830S

(12) **United States Design Patent**
Jack et al.

(10) **Patent No.:** **US D787,830 S**
(45) **Date of Patent:** **** May 30, 2017**

- (54) **CAP AND HOLDER ASSEMBLY**
- (71) Applicant: **Turtle Wax, Inc.**, Willowbrook, IL (US)
- (72) Inventors: **Robert C. Jack**, Schaumburg, IL (US);
Gary Cosentino, Addison, IL (US);
Michael A. Schultz, Homer Glen, IL (US)
- (73) Assignee: **TURTLE WAX, INC.**, Addison, IL (US)

3,981,597 A	9/1976	Cohn et al.	
4,533,273 A *	8/1985	Obata	A46B 3/005 401/190
4,557,619 A	12/1985	DeVincentis	
D288,502 S *	3/1987	Barkley	401/190
D289,109 S *	4/1987	Buecheler	D4/114
D369,976 S *	5/1996	Koptis	D9/436
D385,789 S *	11/1997	Koptis	D4/114
D386,853 S *	11/1997	Koptis	D32/45
D386,854 S *	11/1997	Koptis	D32/45
D386,855 S *	11/1997	Koptis	D32/45
5,772,077 A	6/1998	Tafur	
D398,235 S *	9/1998	Koptis	D32/45

(Continued)

(**) Term: **15 Years**

(21) Appl. No.: **29/555,921**

(22) Filed: **Feb. 25, 2016**

(51) **LOC (10) Cl.** **04-01**

(52) **U.S. Cl.**
USPC **D4/116; D4/114; D9/448; D32/45**

(58) **Field of Classification Search**
USPC D4/114, 116, 118, 130, 132, 136, 137;
D9/434, 436, 448, 686, 688; D32/45
CPC A45D 24/18; A45D 44/18; A46B 5/0095;
A46B 7/042; A46B 11/0017; A46B
11/0065; A46B 15/0055; A46B 15/0071;
A46B 15/0081; A46B 15/0087; A46B
17/04; A46B 17/08; A46B 2200/30; A46B
2200/1066; A46D 1/10; A61C 15/048;
A61C 17/34; A61C 17/222

See application file for complete search history.

(56) **References Cited**

U.S. PATENT DOCUMENTS

D196,707 S *	10/1963	Anderson	D4/114
3,137,885 A *	6/1964	Hulsh	A46B 11/0017 222/402.13
3,184,781 A *	5/1965	Hoxie	A47L 11/325 401/190
D208,224 S *	8/1967	Crowell	D9/448
3,979,163 A	9/1976	Beard	

OTHER PUBLICATIONS

International Search Report and Written Opinion mailed Jan. 17, 2017 for PCT Application No. PCT/US2016/061169 (17 pages).

Primary Examiner — Keli L Hill

(74) *Attorney, Agent, or Firm* — Neal, Gerber & Eisenberg LLP

(57) **CLAIM**

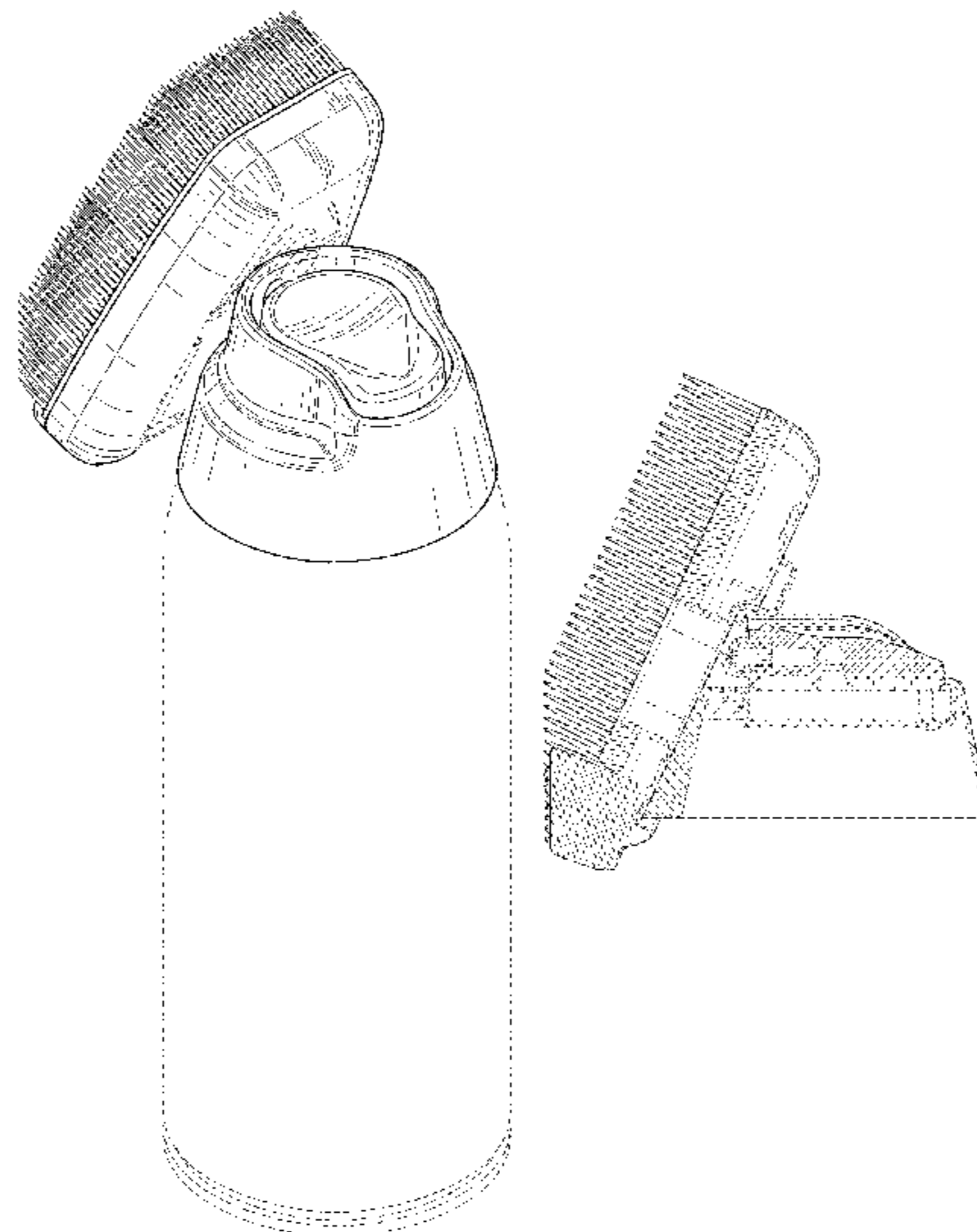
The ornamental design for a cap and holder assembly, as shown and described.

DESCRIPTION

FIG. 1 is a rear perspective view of a cap and holder assembly, embodying our new design; FIG. 2 is a front elevation view thereof; FIG. 3 is a rear elevation view thereof; FIG. 4 is a side elevation view thereof; FIG. 5 is a top plan view thereof; FIG. 6 is a bottom plan view thereof; and, FIG. 7 is a cross-sectional view thereof, taken in the direction of line 7-7 as seen in FIG. 2.

The broken lines are included for the purposes of illustrating the environment of the cap and holder assembly and forms no part of the claimed design.

1 Claim, 7 Drawing Sheets



(56)

References Cited

U.S. PATENT DOCUMENTS

D416,388	S	*	11/1999	Koptis	D32/45
D418,303	S	*	1/2000	Koptis	D32/45
D433,235	S	*	11/2000	Koptis	D4/114
D466,305	S	*	12/2002	Seo	D28/20
D533,721	S	*	12/2006	Urta	D4/114
D609,014	S	*	2/2010	Hill	D4/114
D660,005	S	*	5/2012	Prague	D4/114
8,475,070	B1	*	7/2013	Miner	A46B 7/042 401/190
D750,492	S	*	3/2016	Campbell	D9/448
D763,081	S	*	8/2016	Cardinal	D4/127
D766,084	S	*	9/2016	Jiang	D9/448
2007/0127977	A1		6/2007	Aiken		

* cited by examiner

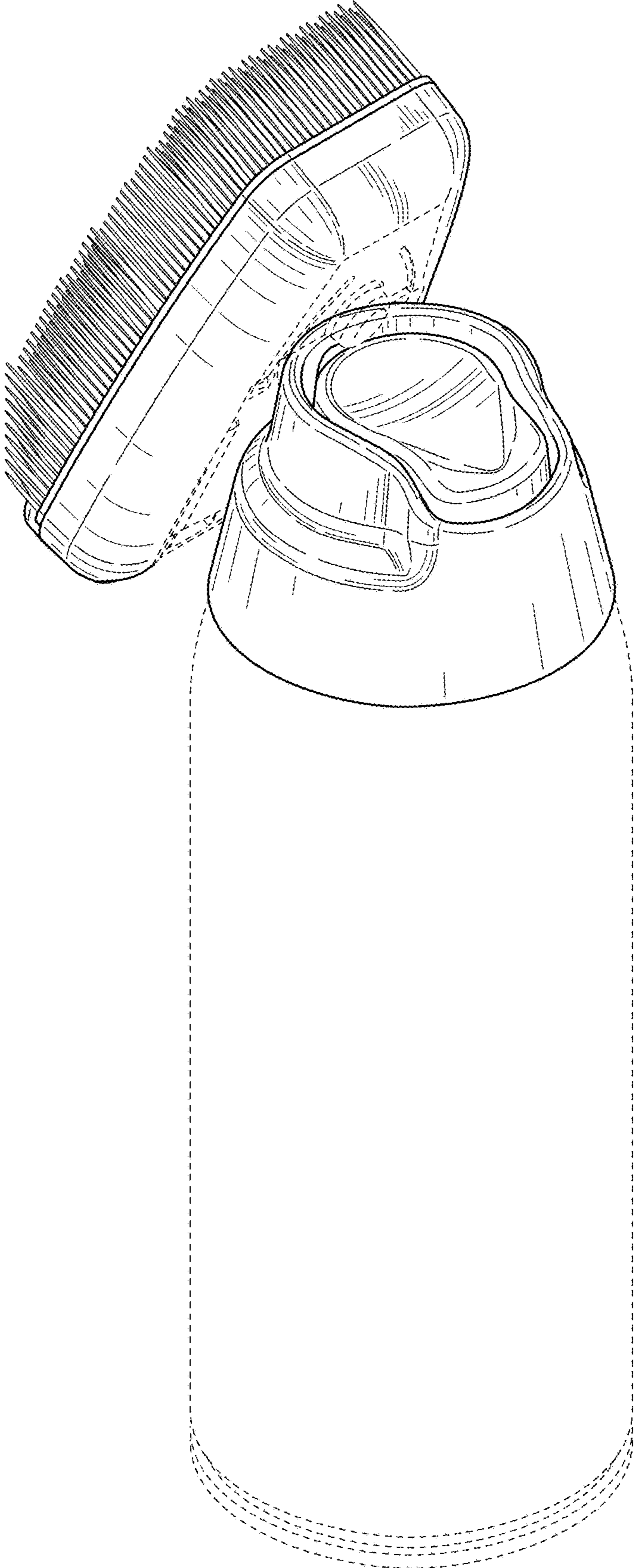


FIG. 1

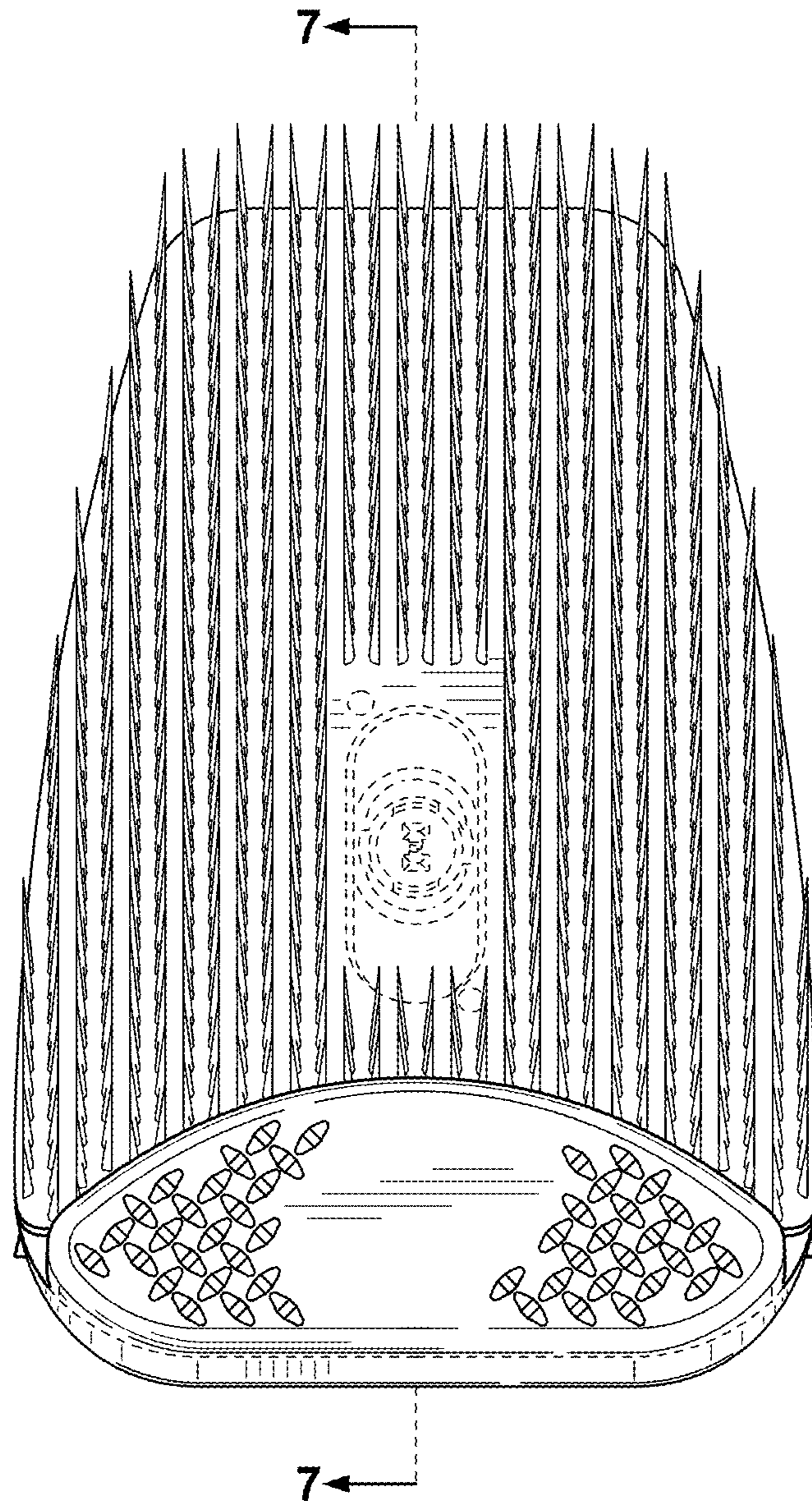


FIG. 2

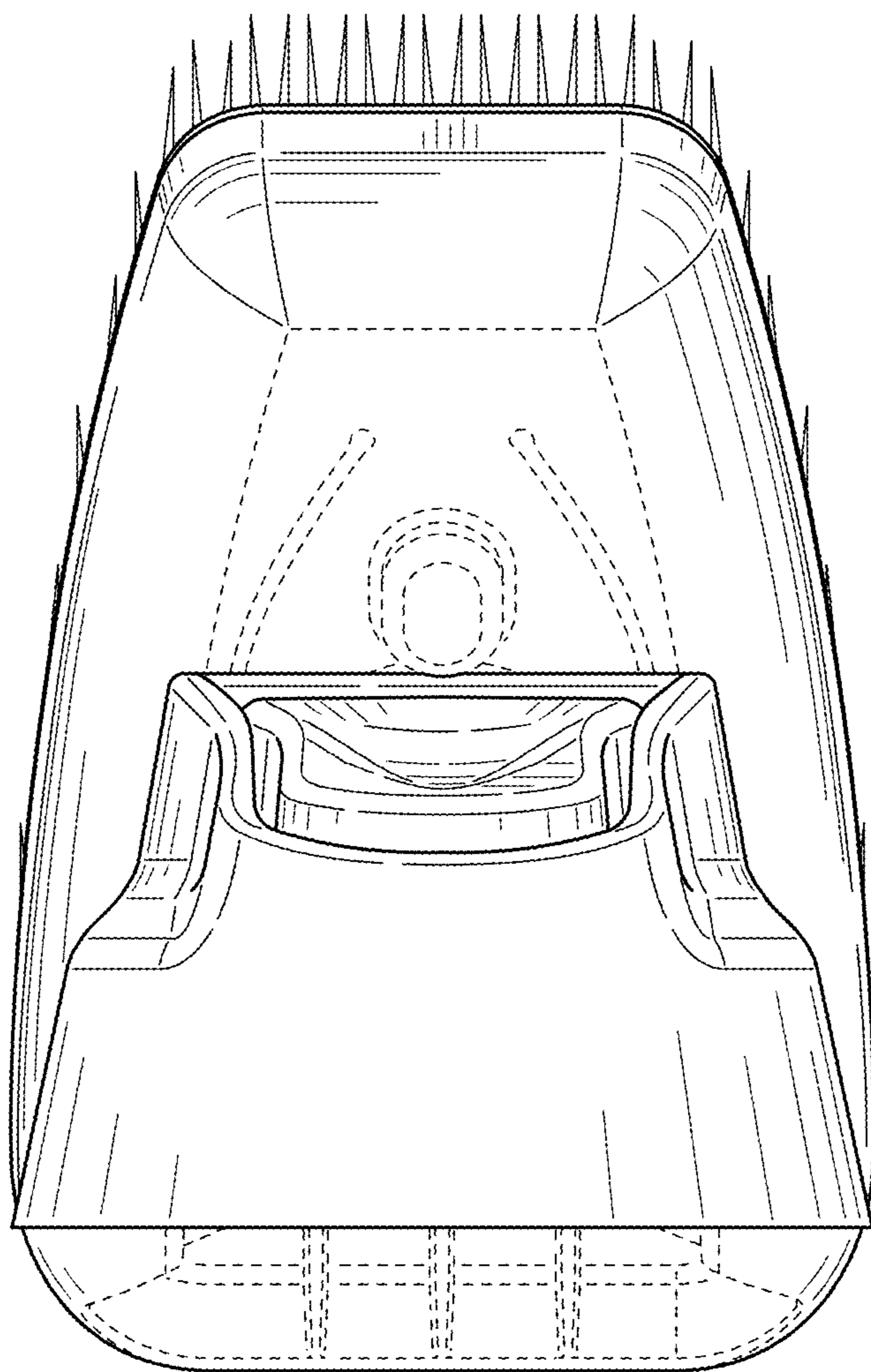


FIG. 3

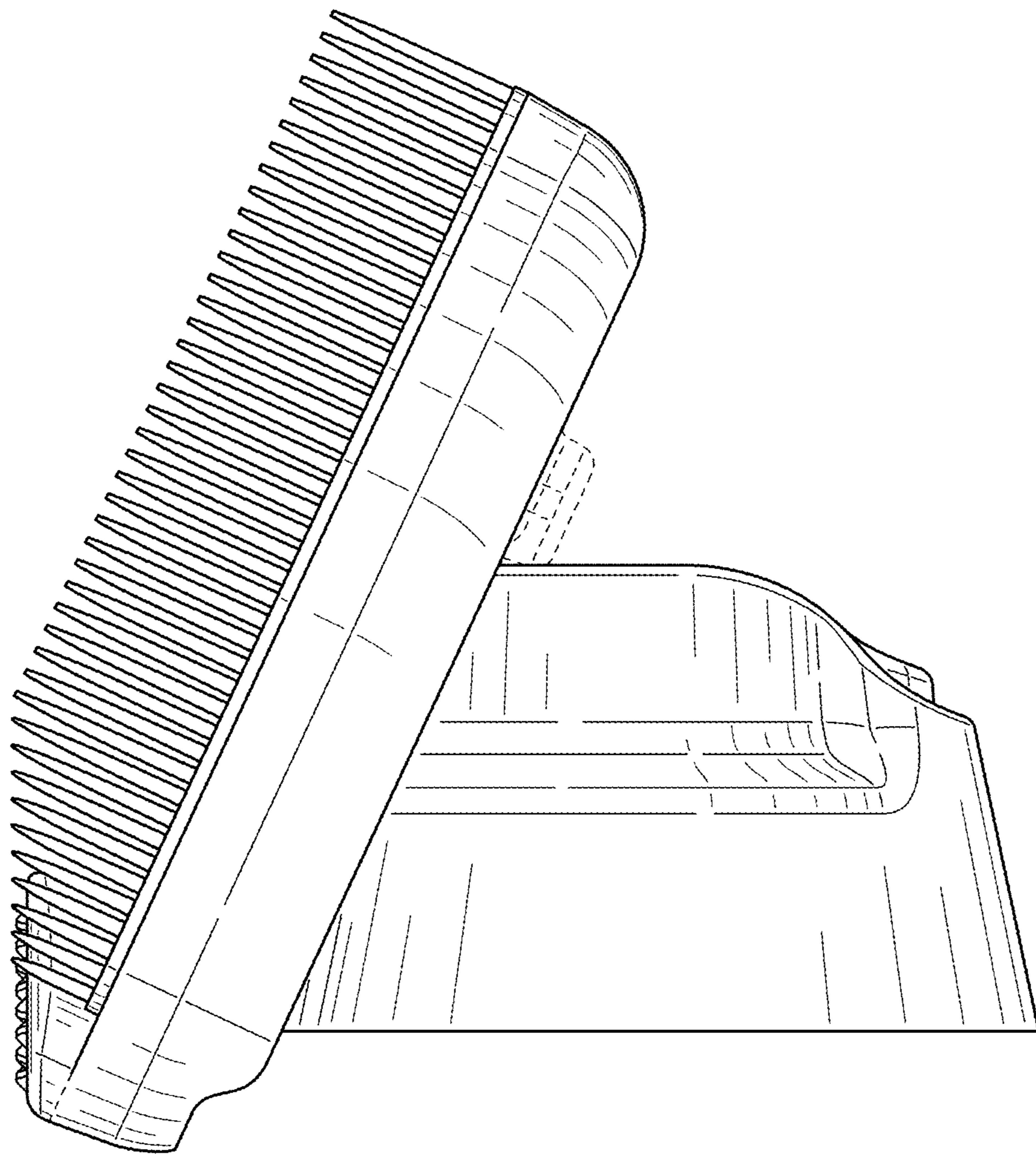


FIG. 4

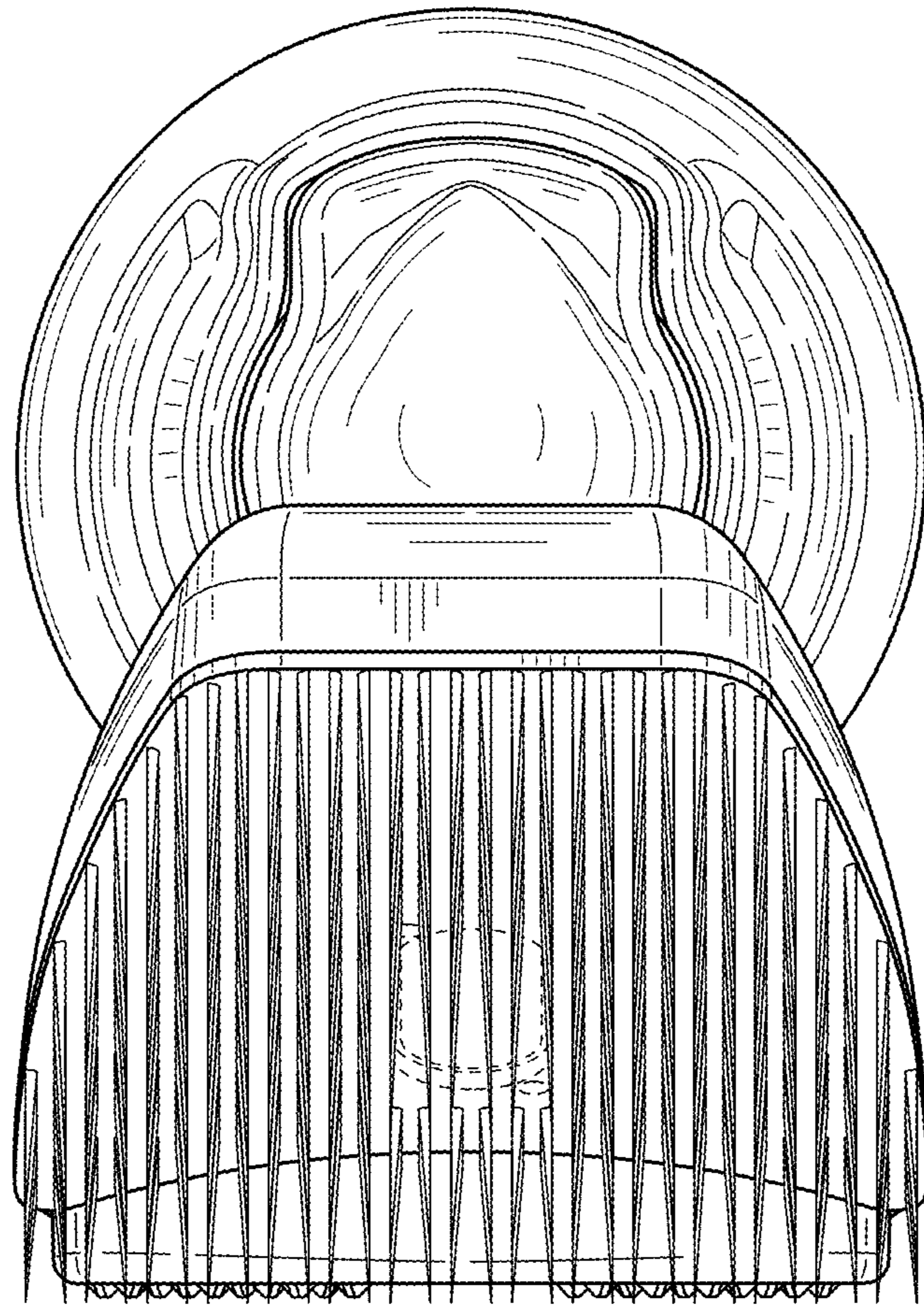


FIG. 5

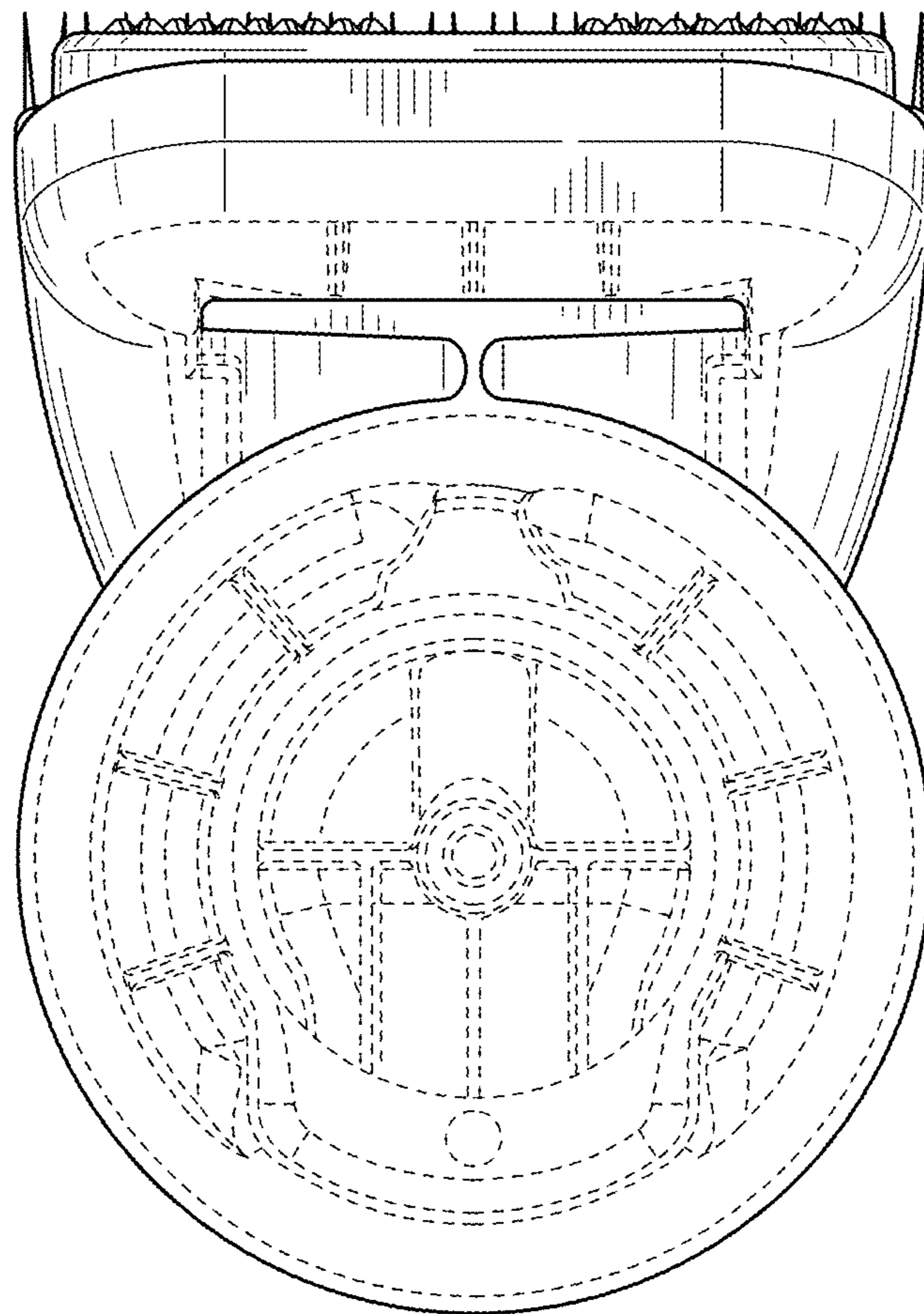


FIG. 6

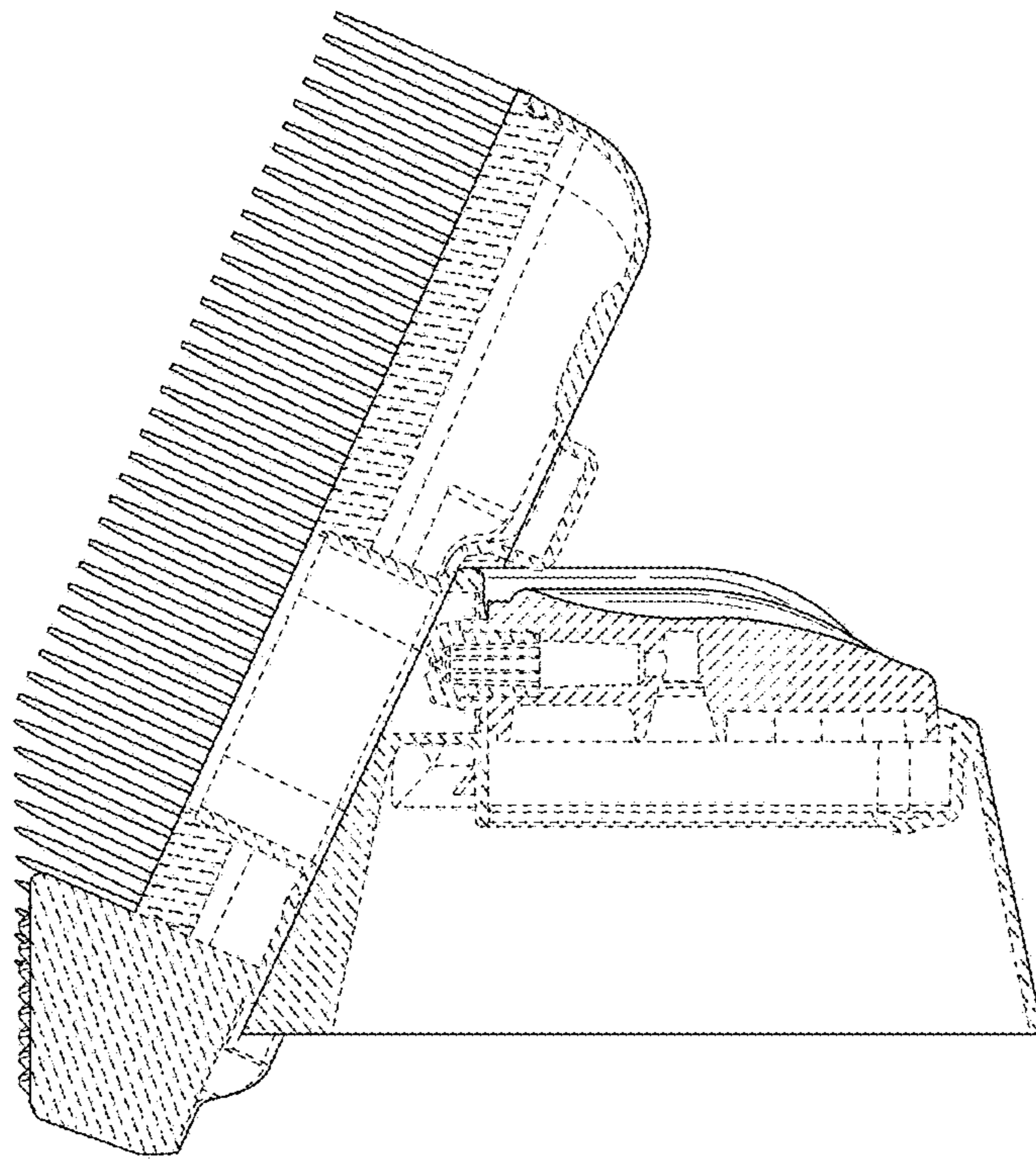


FIG. 7