



US00D787829S

(12) **United States Design Patent** (10) **Patent No.:** **US D787,829 S**
Kohn (45) **Date of Patent:** **** May 30, 2017**

(54) **STRAP FOR CARRYING A BOX OR THE LIKE**

internet:<http://www.wrigging.com/Products/Endless_webbing_sling/2016/0316/Endless-webbing-slings.html>.*

(Continued)

(71) Applicant: **Albert Kohn**, Woodsburgh, NY (US)

Primary Examiner — Holly Baynham

(72) Inventor: **Albert Kohn**, Woodsburgh, NY (US)

(74) *Attorney, Agent, or Firm* — Cowan, Liebowitz & Latman, P.C.

(73) Assignee: **Broadway Holdings IV, LLC**, Monroe, NJ (US)

(57) **CLAIM**

(**) Term: **14 Years**

The ornamental design for a strap for carrying a box or the like, as shown and described.

(21) Appl. No.: **29/499,503**

DESCRIPTION

(22) Filed: **Aug. 15, 2014**

(51) **LOC (10) Cl.** **03-01**

(52) **U.S. Cl.**
USPC **D3/327**

(58) **Field of Classification Search**
USPC D2/703, 707, 708, 714, 723, 762, 767, D2/787, 792, 793, 813, 835, 838, 843, D2/626, 639, 640; D3/10, 11, 12, 29, D3/214, 215, 216, 226, 231, 232, 243, D3/246, 251, 268, 271.1, 276, 287, 324, D3/327, 328; D9/702, 706, 704
CPC A45C 1/10; A45C 3/00; A45C 3/02; A45C 3/04; A45C 3/06; A45C 3/08; A45C 3/10; A45C 5/02; A45C 9/00; A45C 13/08; A45C

FIG. 1 is a perspective view of a first embodiment of the strap for carrying a box or the like used with a box or similar object, showing my design thereof;
FIG. 2 is a front view thereof;
FIG. 3 is a left side view thereof;
FIG. 4 is a rear view thereof;
FIG. 5 is a right side view thereof;
FIG. 6 is a top view thereof;
FIG. 7 is a bottom view thereof;
FIG. 8 is a perspective view of the first embodiment of the strap for carrying a box or the like without the box and in an unwound state;
FIG. 9 is a perspective view of the strap for carrying a box or the like of FIG. 8 arranged for placement of a box or similar object;
FIG. 10 is a perspective view of a second embodiment of the strap for carrying a box or the like used with a box or similar object, showing my design thereof, wherein strap portions forming a crisscross area are secured to one another using a rivet or similar coupling device;
FIG. 11 is a bottom view thereof, wherein the front, rear, left side, right side and top views are the same as in the first embodiment; and,
FIG. 12 is a perspective view of the second embodiment of the strap for carrying a box or the like without the box.
The broken lines showing a box are for the purposes of illustrating environment and form no part of the claimed design.

(Continued)

(56) **References Cited**

U.S. PATENT DOCUMENTS

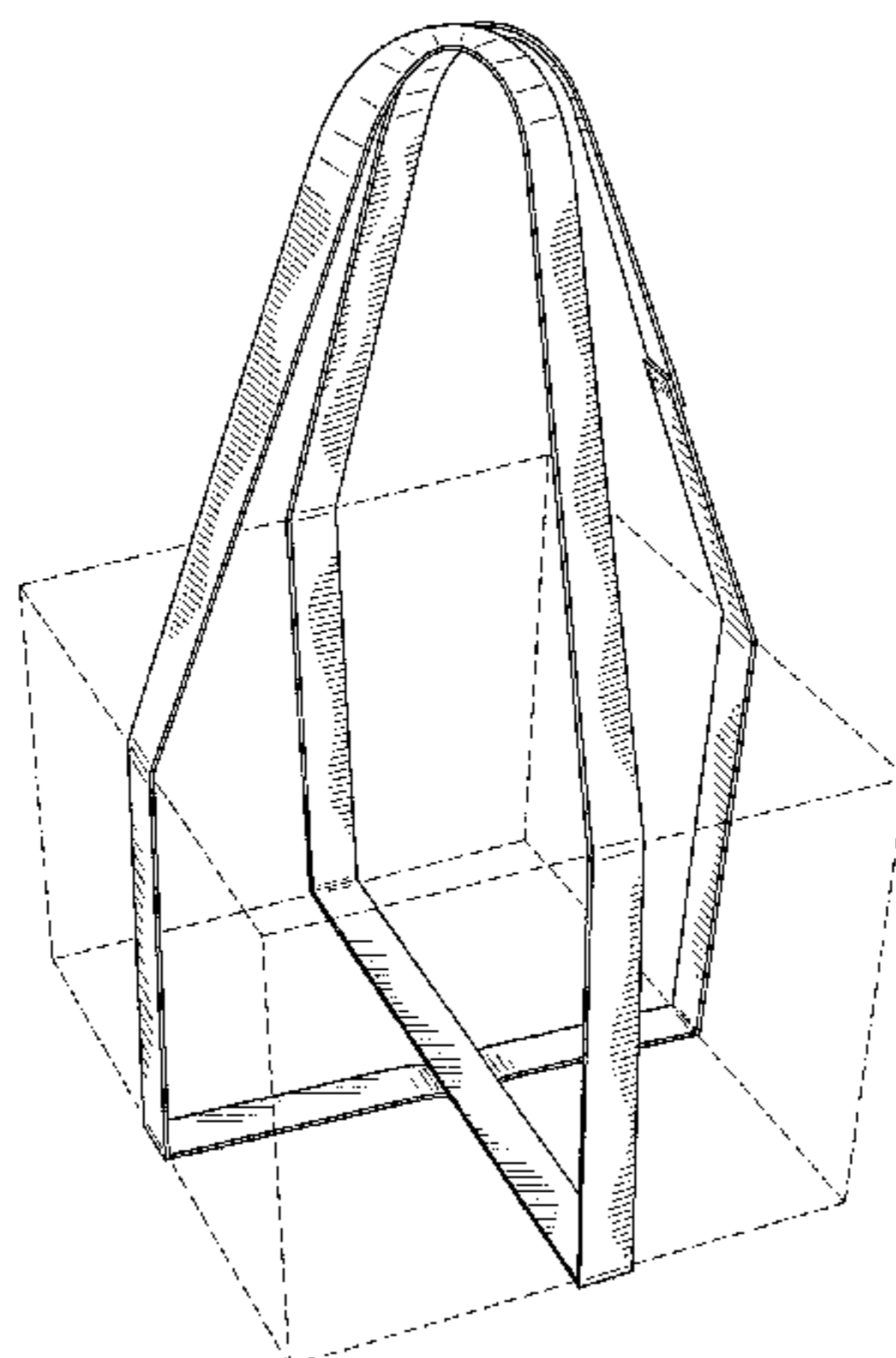
370,055 A * 9/1887 Haley A61F 5/026
2/45
D251,083 S * 2/1979 Rabinowitz D3/289

(Continued)

OTHER PUBLICATIONS

Endless Webbing Sling Lifting Straps, posted at wrigging.com, posting date not posted, [site visited Jul. 21, 2016]. Available from

1 Claim, 9 Drawing Sheets



(58) **Field of Classification Search**

CPC 13/12; A45C 13/30; A45C 15/00; A45C
2003/005; A45C 2003/007; A45C
2003/008; B65G 7/12

See application file for complete search history.

(56) **References Cited**

U.S. PATENT DOCUMENTS

4,812,054 A * 3/1989 Kirkendall A45C 3/04
383/110
5,154,332 A * 10/1992 Williams A45F 3/04
190/26
D336,153 S * 6/1993 Dulka D3/268
5,503,448 A * 4/1996 Dewey B65G 7/12
294/152
5,505,356 A * 4/1996 Noriega A41D 13/0012
2/338
D374,977 S * 10/1996 Cook D3/215
5,816,460 A * 10/1998 Cook A45C 1/04
224/260
D449,441 S * 10/2001 Jackson D3/276

D529,286 S * 10/2006 Limber D3/269
D617,561 S * 6/2010 Salerno-Tortora D3/318
D673,772 S * 1/2013 Munson D3/246
D734,591 S * 7/2015 Jirsa D2/700
9,181,022 B2 * 11/2015 Armstrong B65D 85/00
D750,343 S * 3/2016 Biesel D2/627
9,326,619 B2 * 5/2016 Krass A47D 13/02
2007/0274613 A1 * 11/2007 Pruchnicki A45C 7/0077
383/110
2008/0283350 A1 * 11/2008 Vorderkunz A45C 13/03
190/115
2013/0119097 A1 * 5/2013 Nielsen A45F 3/14
224/157

OTHER PUBLICATIONS

Spud INC Stump Straps, posted at rogueapo.com, posting date not posted, © 2010-2016 Rogue Fitness, [site visited Jul. 21, 2016]. Available from internet: <<http://www.rogueapo.com/stump-straps>>.*

* cited by examiner

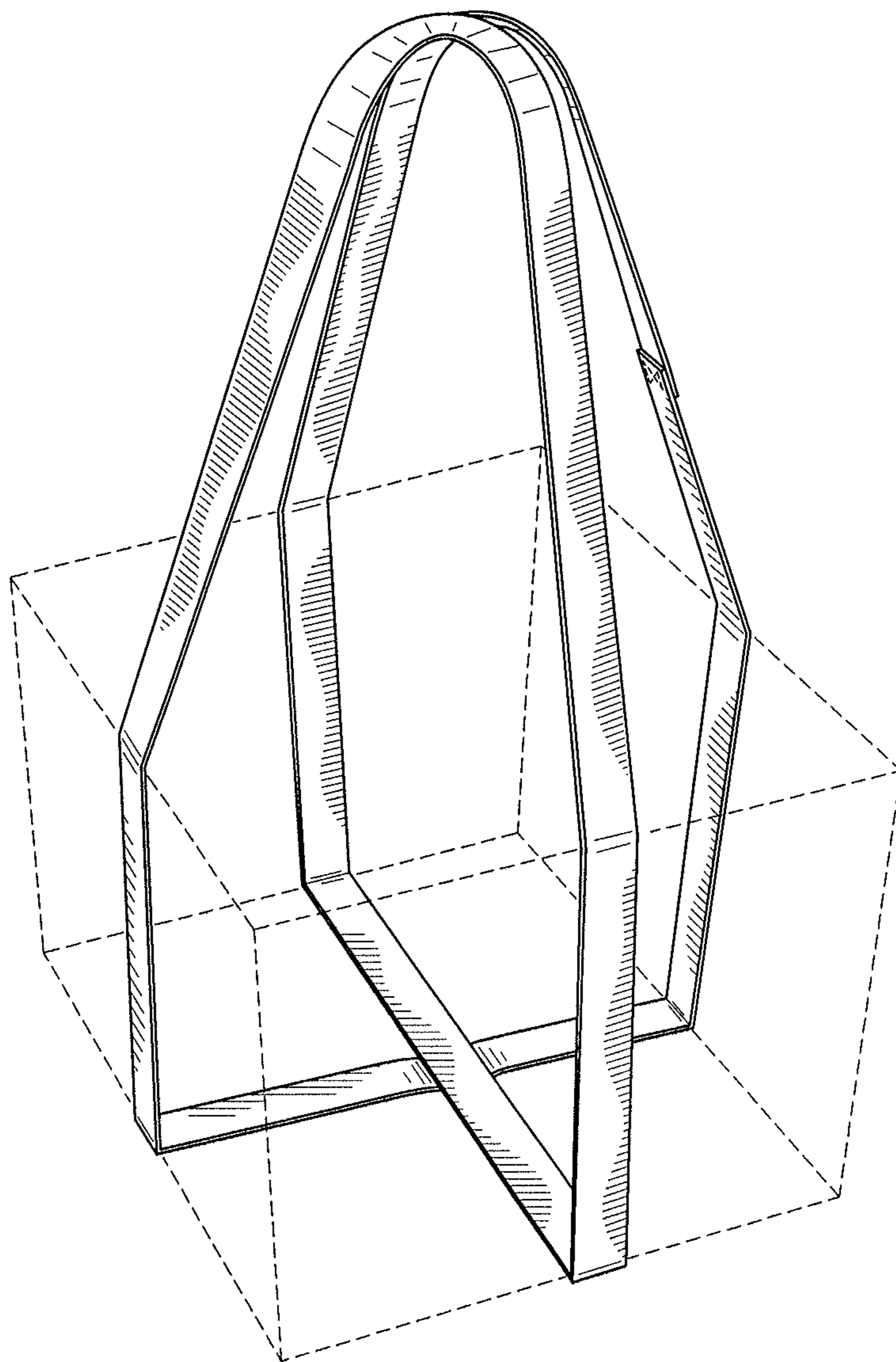


FIG. 1

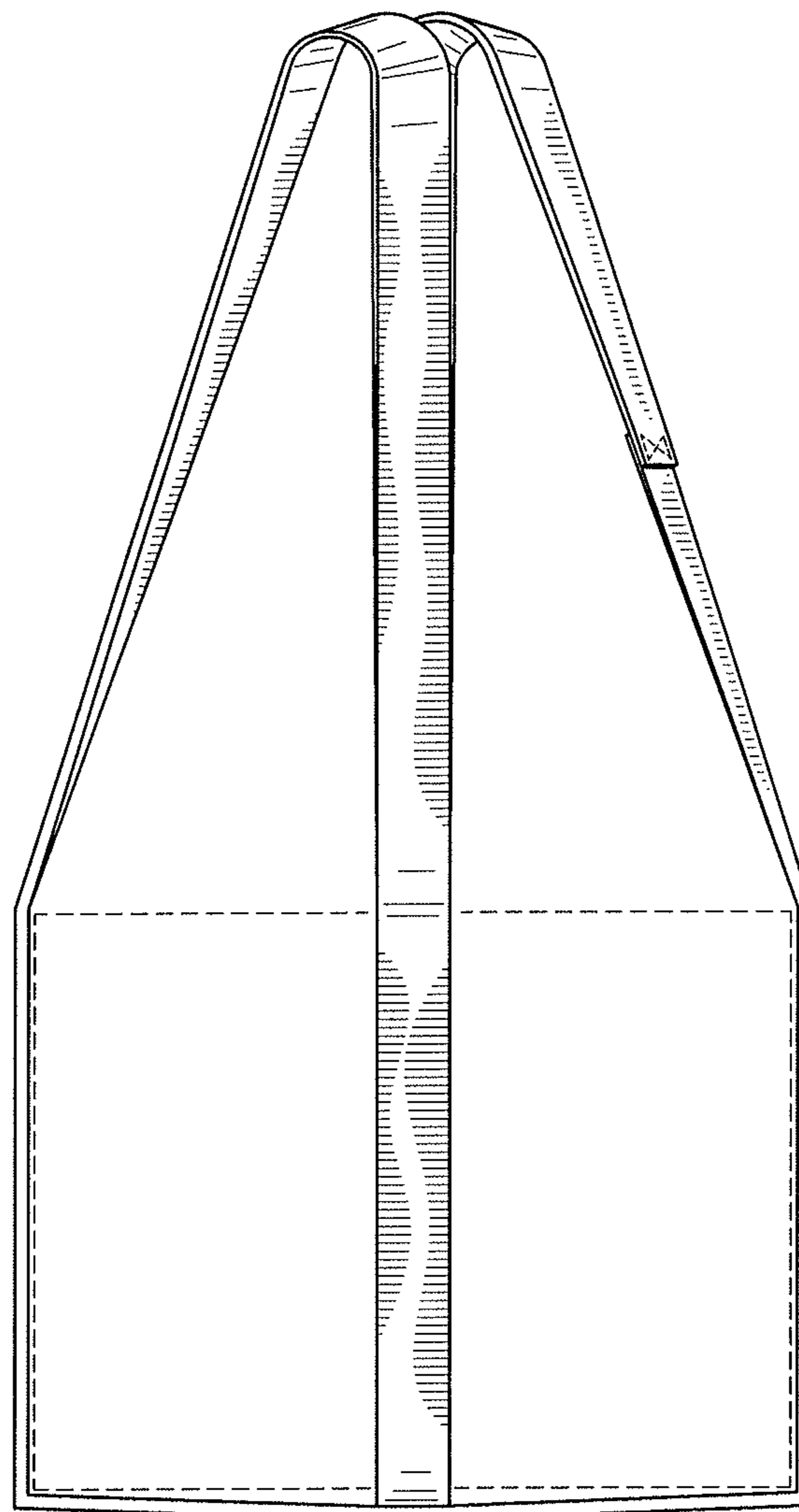


FIG. 2

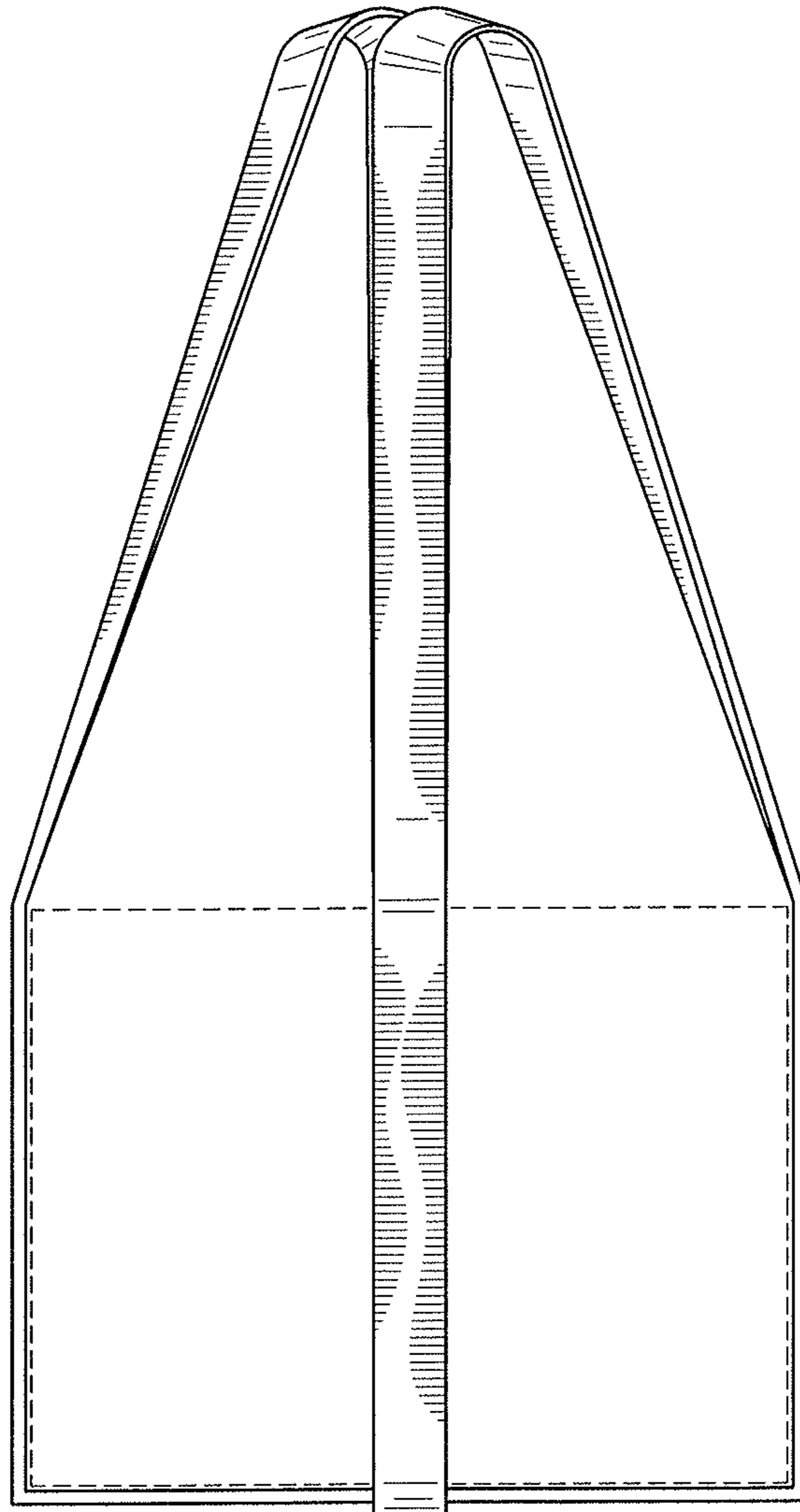


FIG. 3

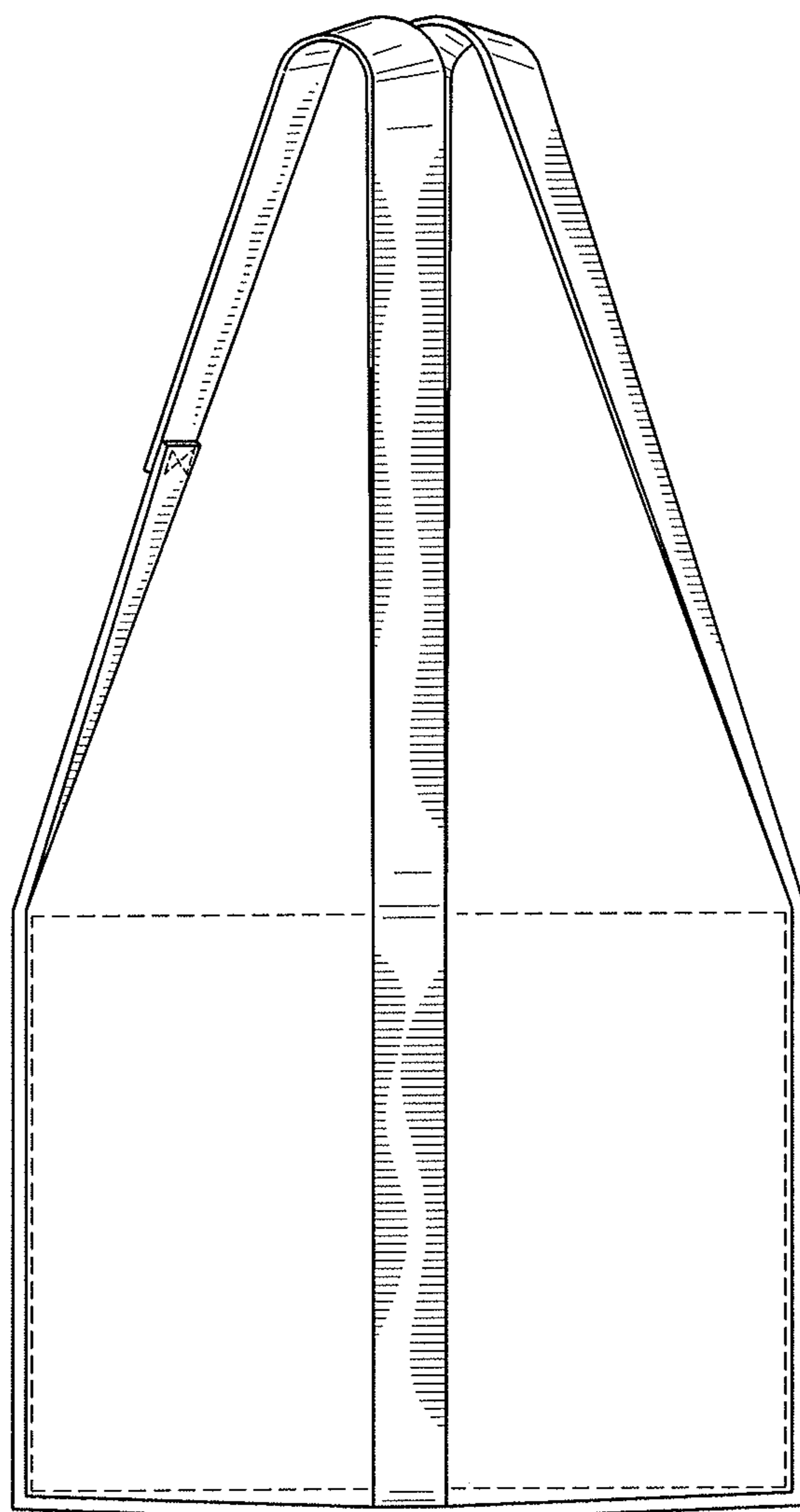


FIG. 4

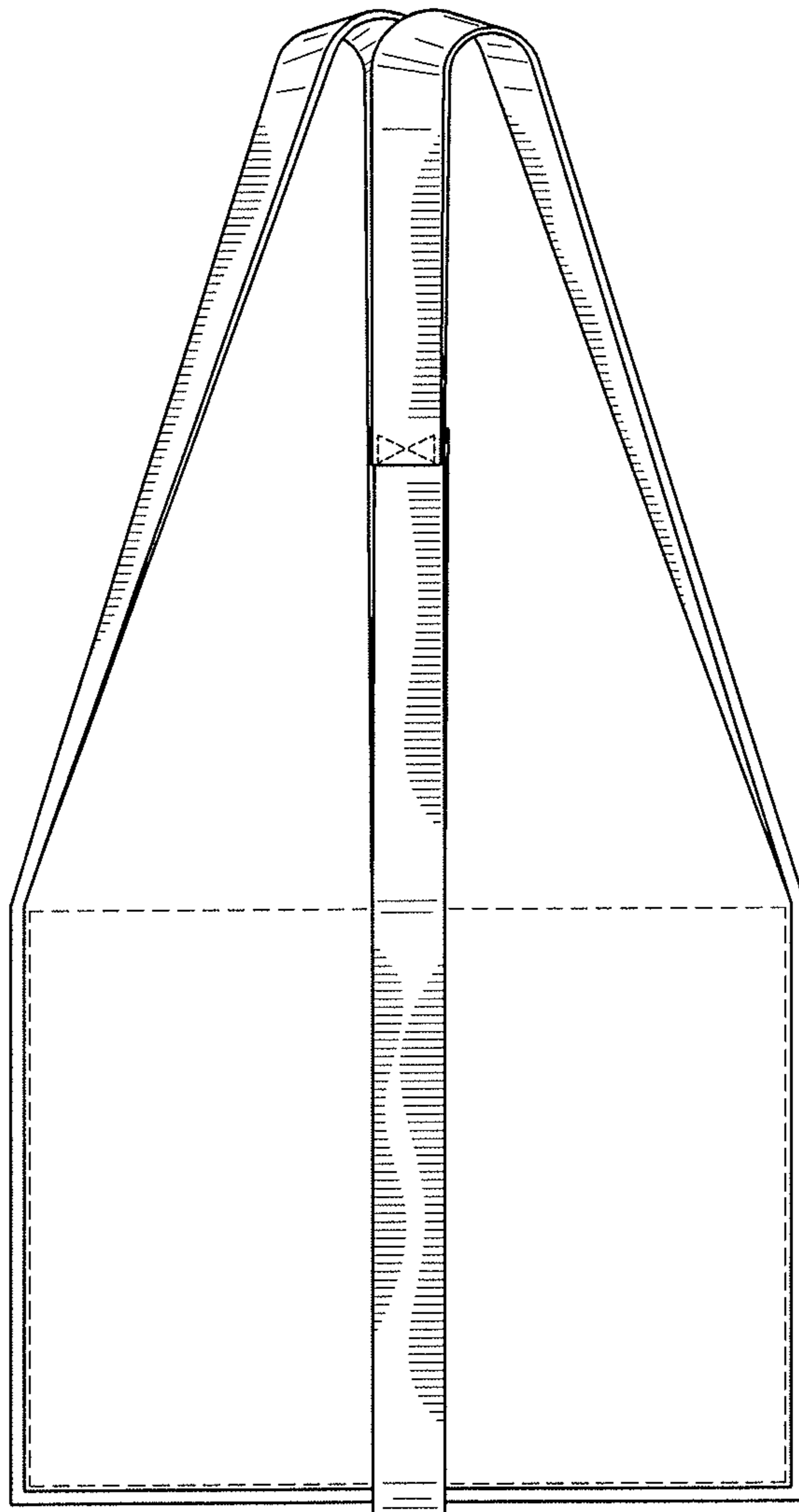


FIG. 5

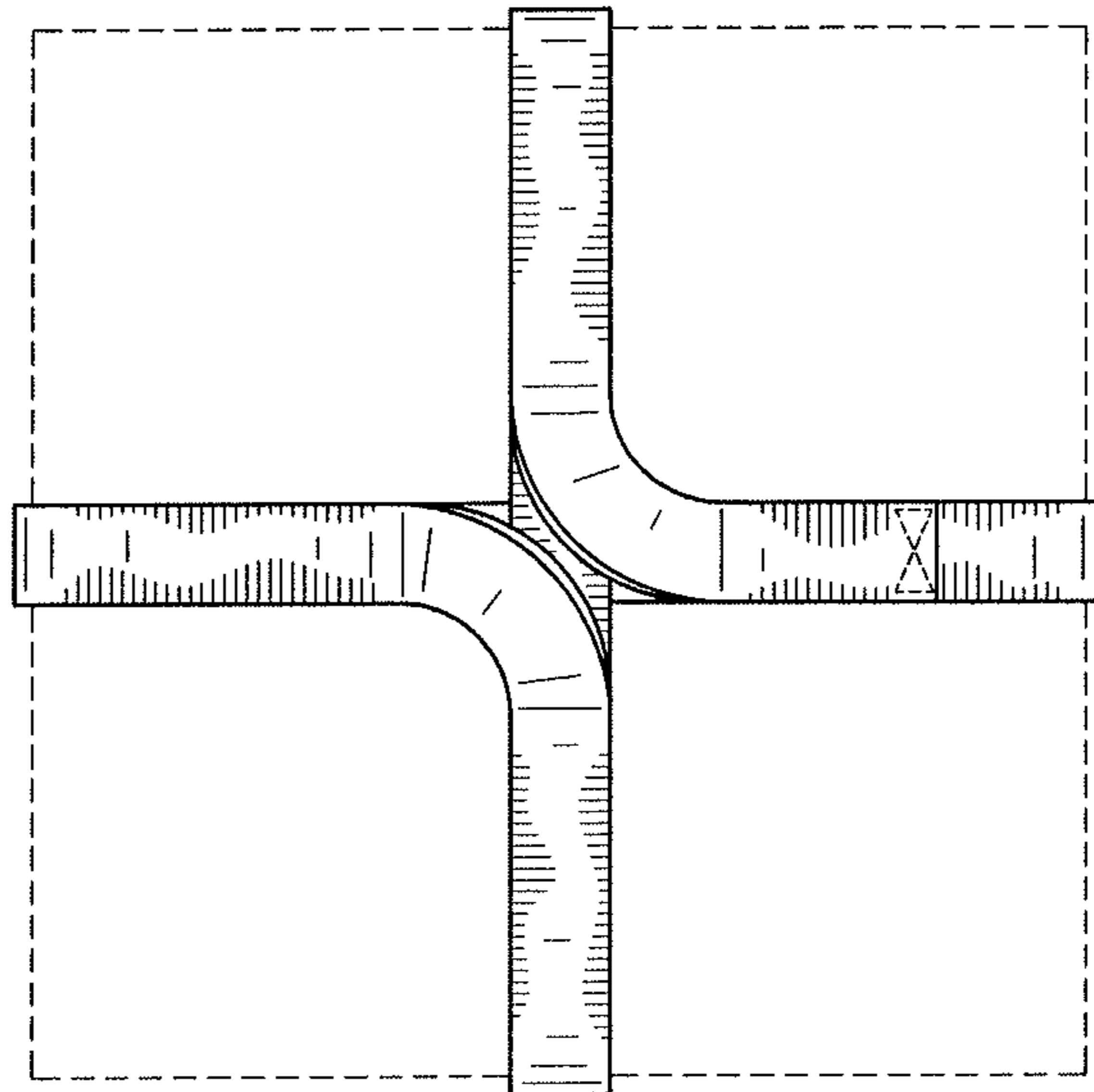


FIG. 6

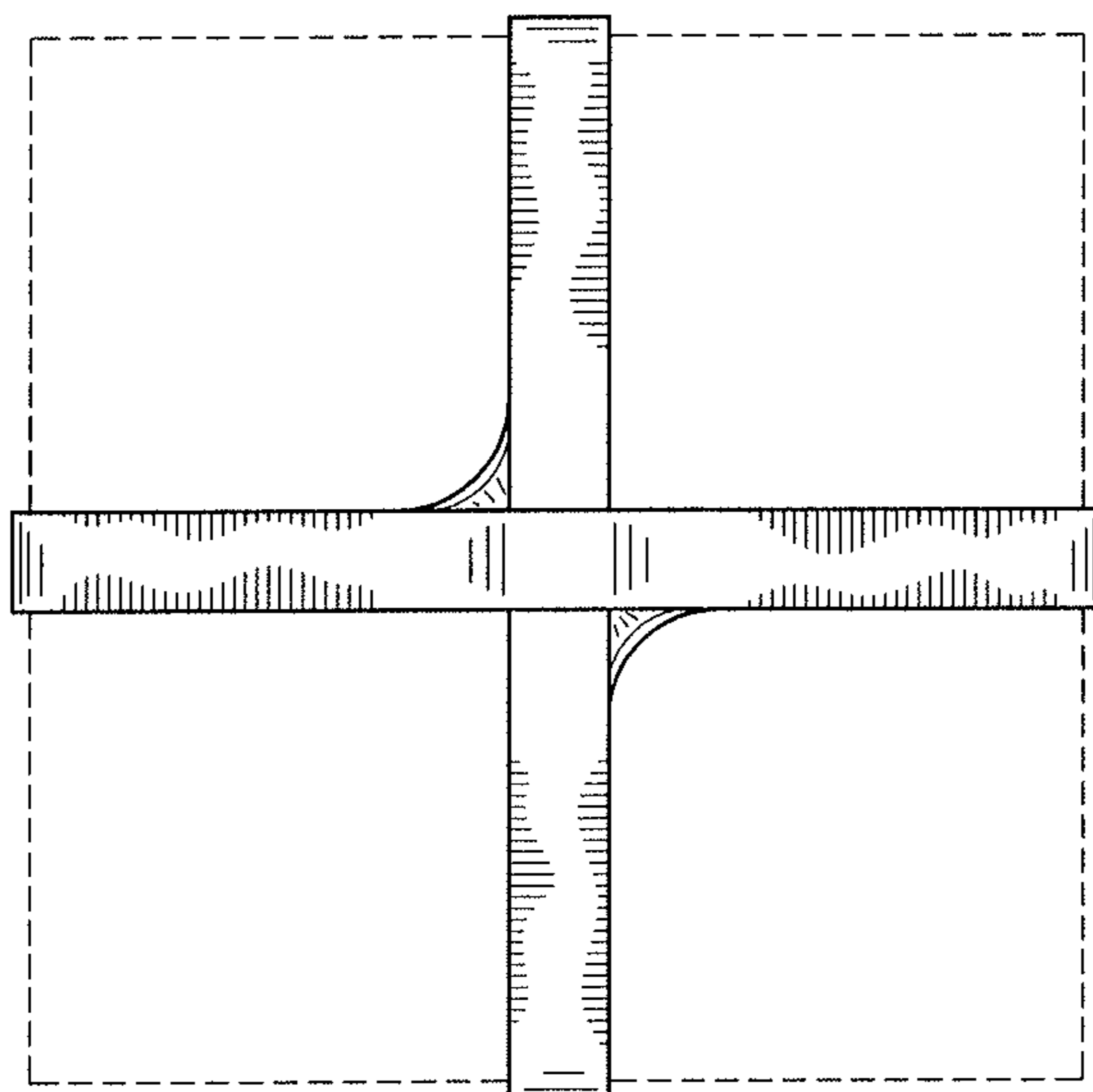


FIG. 7

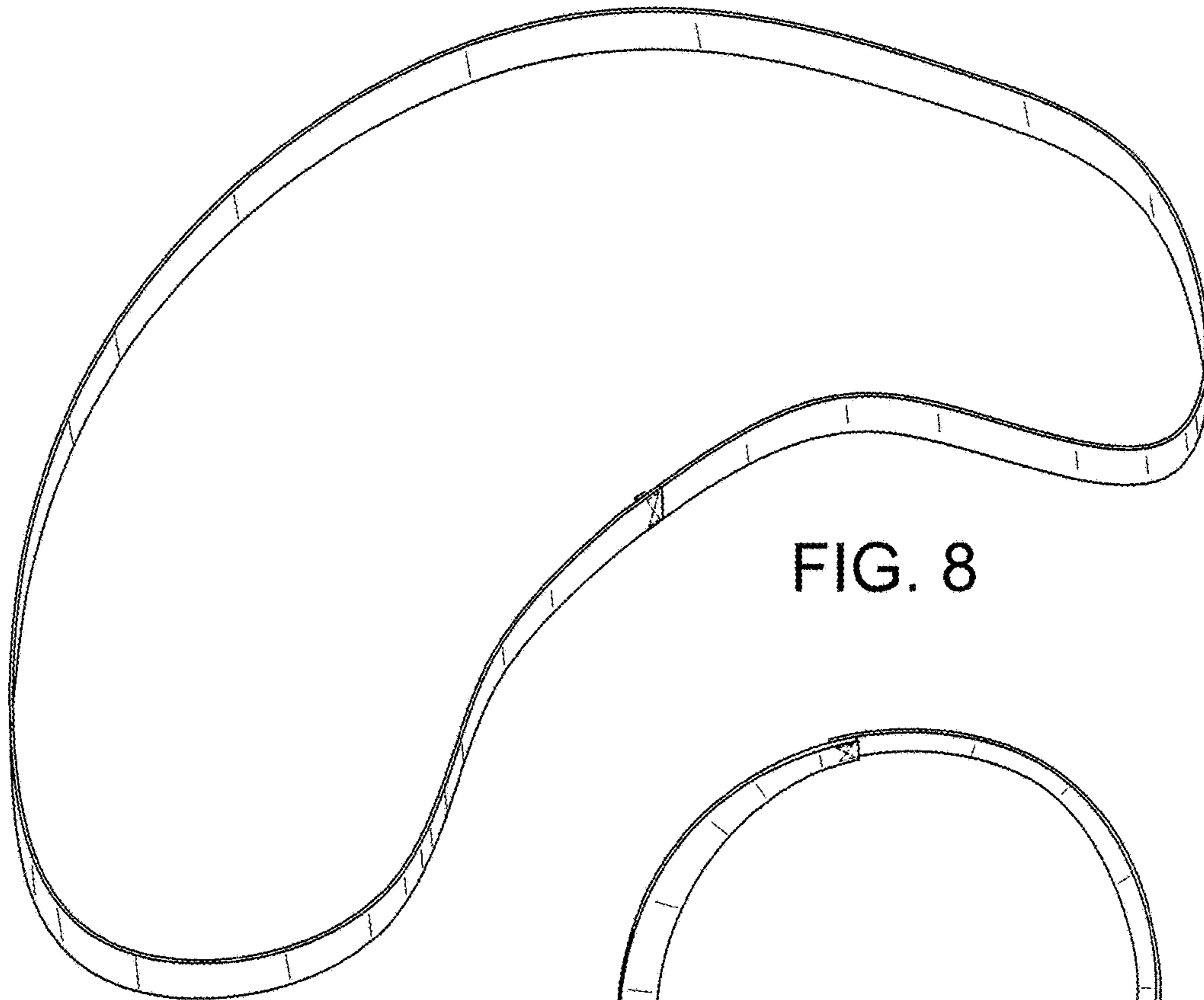


FIG. 8

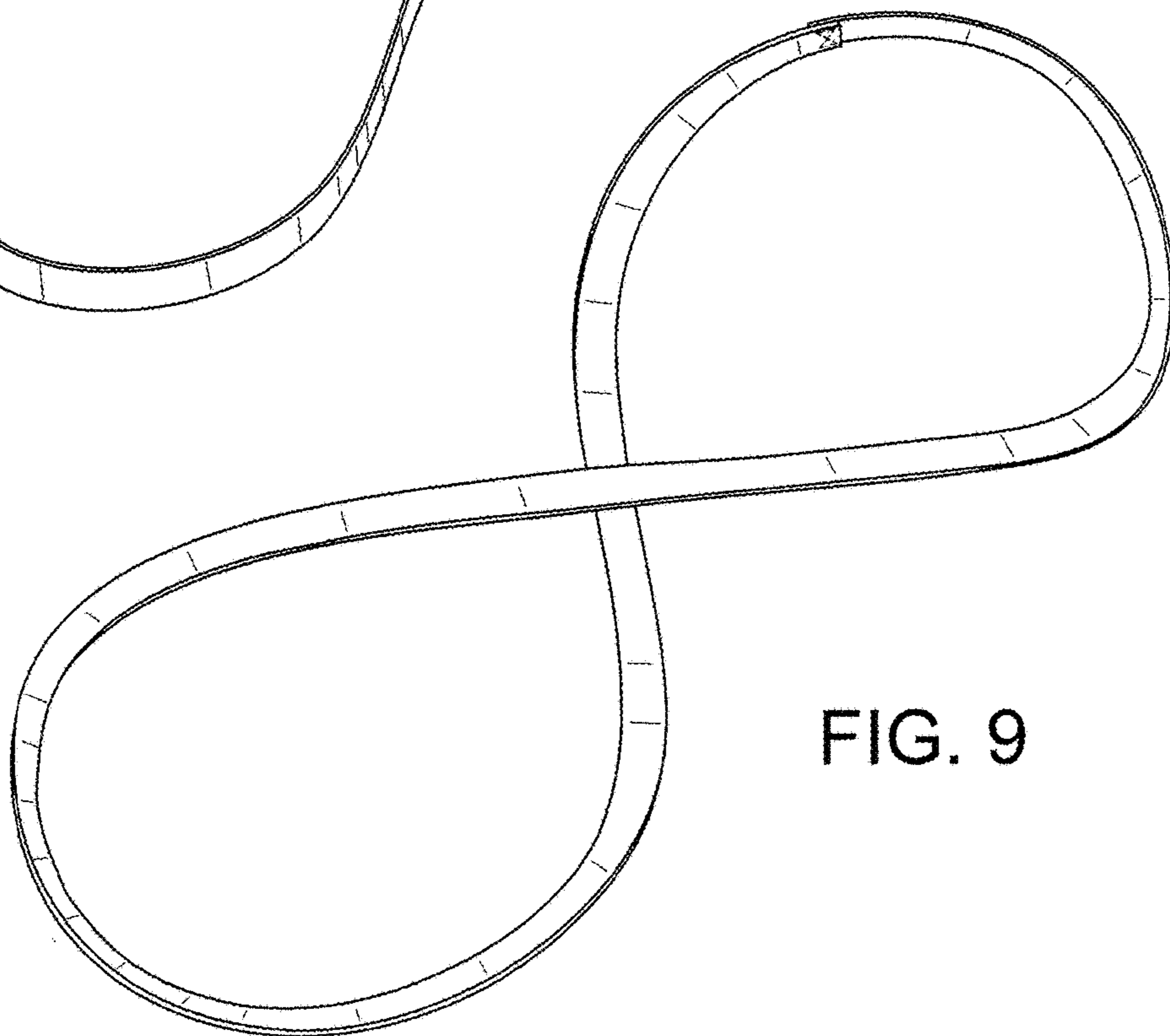


FIG. 9

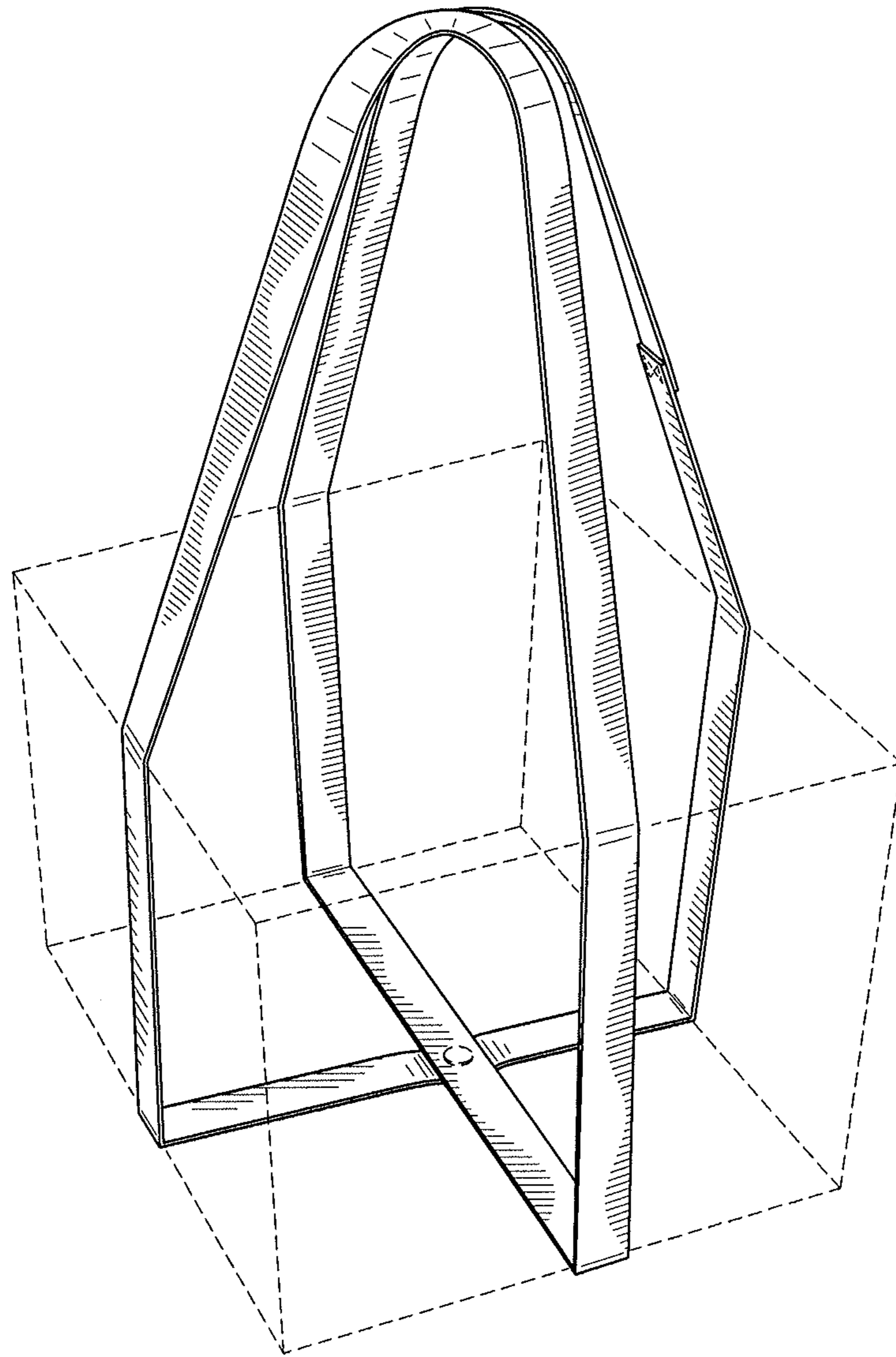


FIG. 10

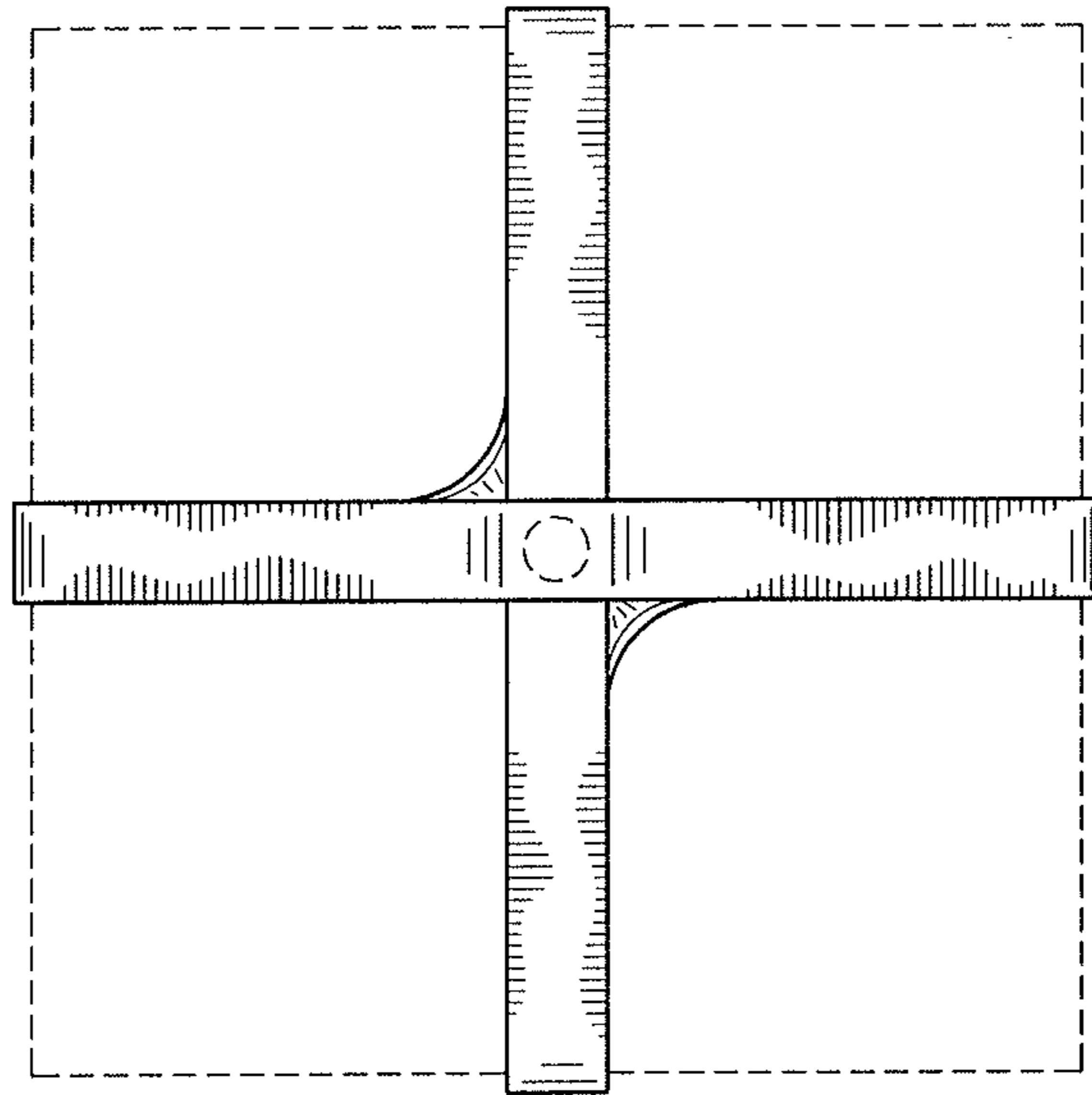


FIG. 11

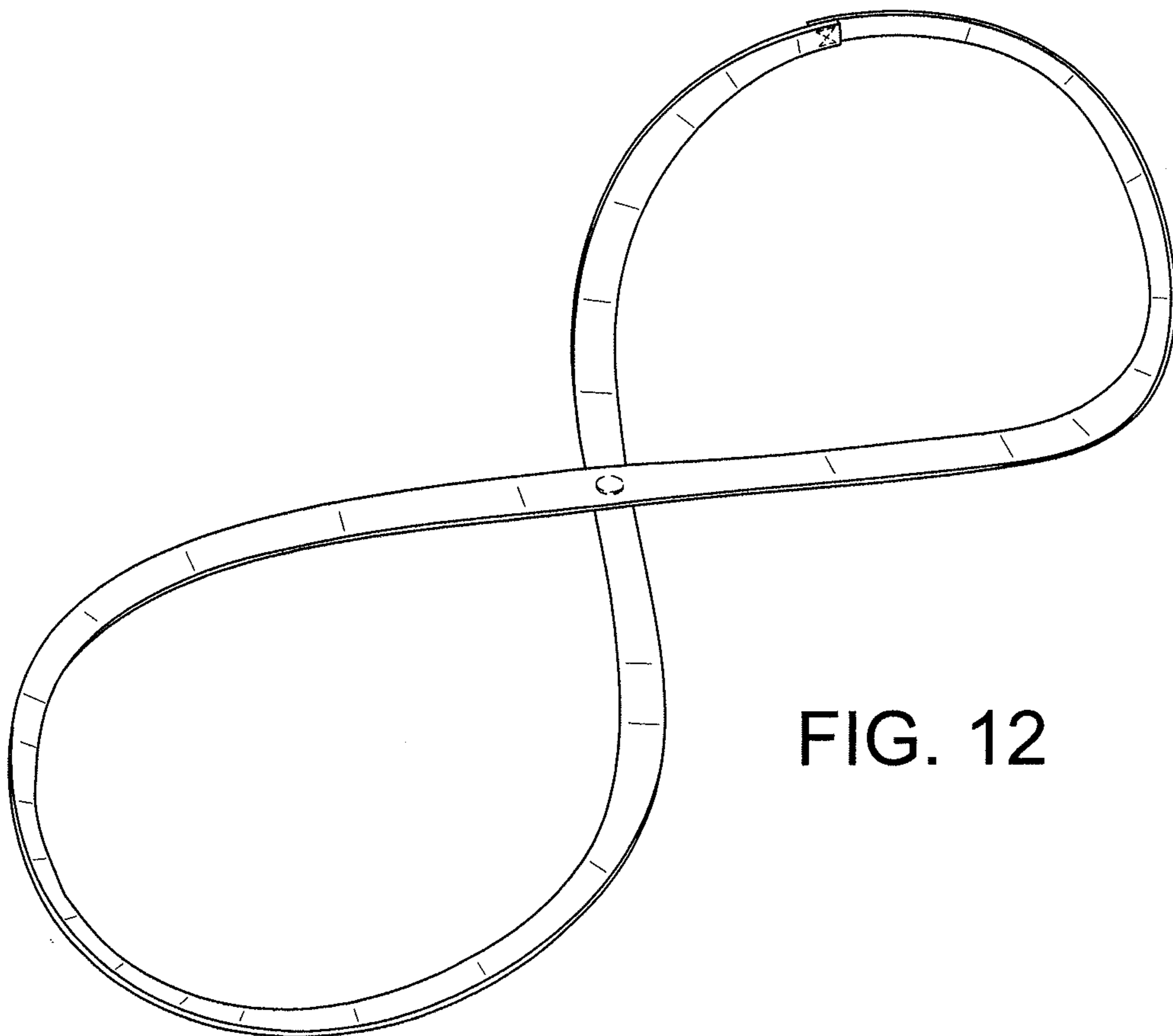


FIG. 12