



US00D787820S

(12) **United States Design Patent** (10) **Patent No.:** **US D787,820 S**
Nair (45) **Date of Patent:** **** May 30, 2017**

- (54) **HANDBAG**
- (71) Applicant: **MOYNAT PARIS SAS**, Paris (FR)
- (72) Inventor: **Ramesh Nair**, Paris (FR)
- (73) Assignee: **MOYNAT PARIS SAS**, Paris (FR)
- (**) Term: **15 Years**
- (21) Appl. No.: **29/562,278**
- (22) Filed: **Apr. 25, 2016**
- (30) **Foreign Application Priority Data**

- Nov. 17, 2015 (EM) 002863423-0003
- (51) **LOC (10) Cl.** **03-01**
- (52) **U.S. Cl.**
USPC **D3/243**
- (58) **Field of Classification Search**
USPC D3/232-233, 240-243, 245-246
CPC A45C 1/024; A45C 3/08
See application file for complete search history.

(56) **References Cited**
U.S. PATENT DOCUMENTS

- D263,649 S * 4/1982 Schimmel D3/243
- D679,494 S * 4/2013 Dolce D3/243

- D688,450 S * 8/2013 Philo D3/243
- D726,410 S * 4/2015 Fusi D3/243
- D728,225 S * 5/2015 McNamara D3/243
- D761,015 S * 7/2016 Nair D3/243

* cited by examiner

Primary Examiner — Holly Baynham
(74) *Attorney, Agent, or Firm* — Avery N. Goldstein;
Blue Filament Law PLLC

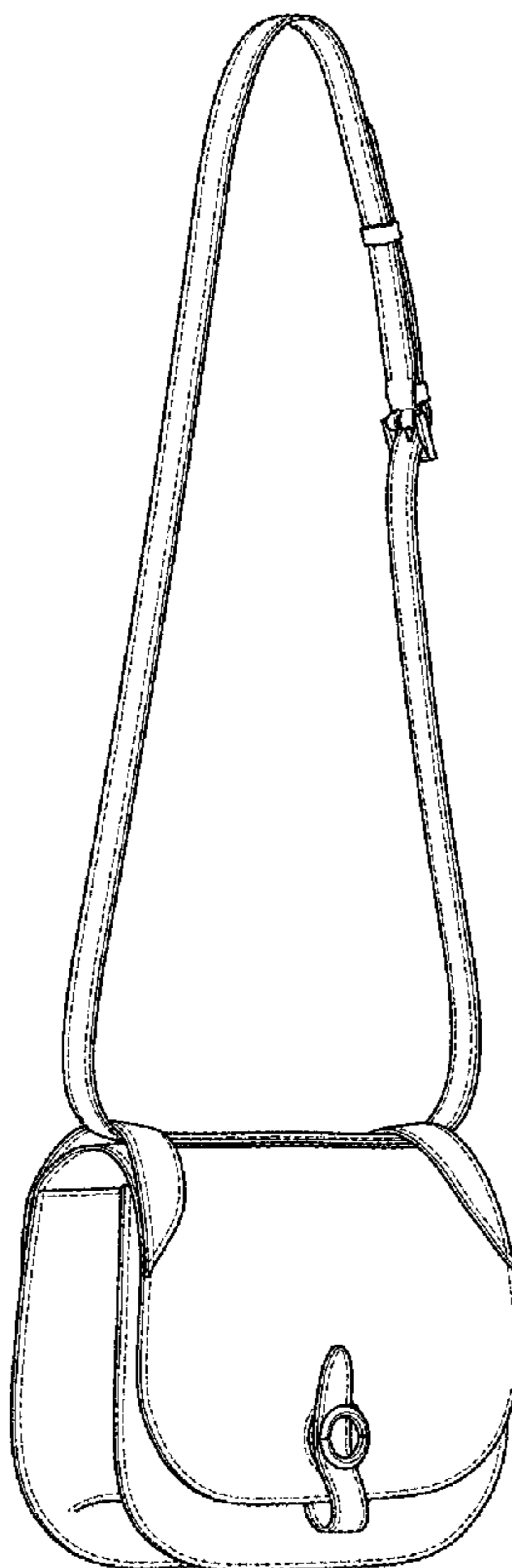
(57) **CLAIM**

The ornamental design for a handbag, as shown and described.

DESCRIPTION

FIG. 1 is a perspective view of a handbag showing my new design;
FIG. 2 is a front view thereof;
FIG. 3 is a right side view thereof;
FIG. 4 is a left side view thereof;
FIG. 5 is a top view thereof;
FIG. 6 is a bottom view thereof; and,
FIG. 7 is a back view thereof.
The dashed lines in the figures denote stitching on the handbag and is part of the claimed design.

1 Claim, 3 Drawing Sheets



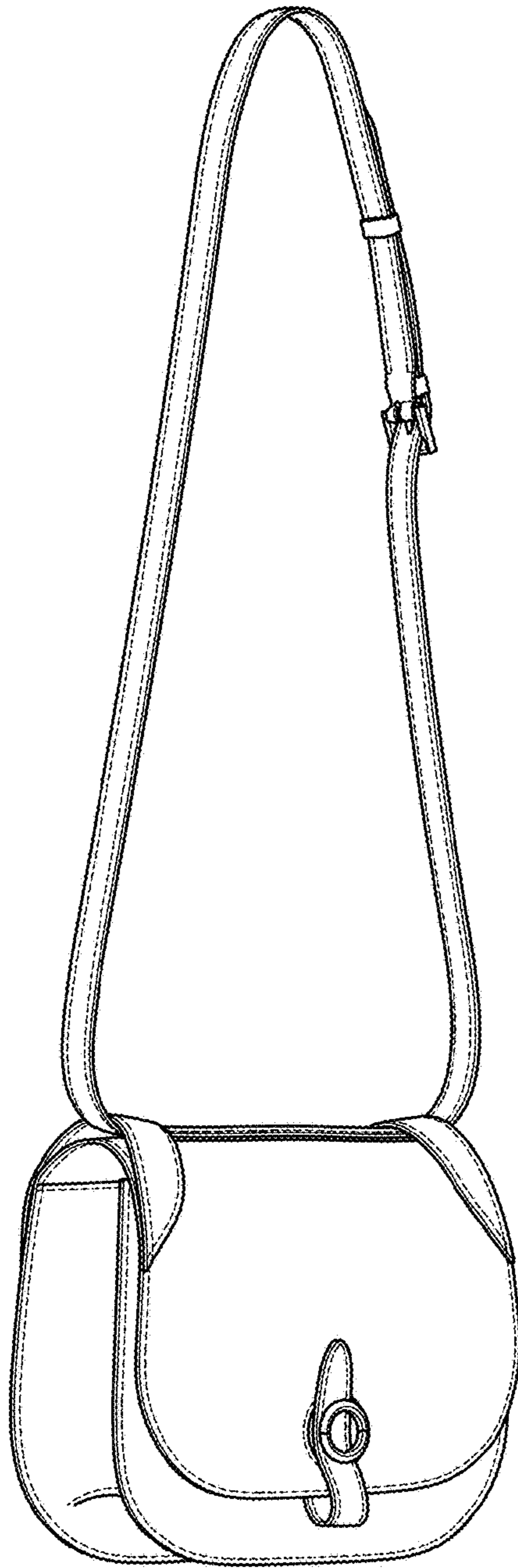


FIG. 1

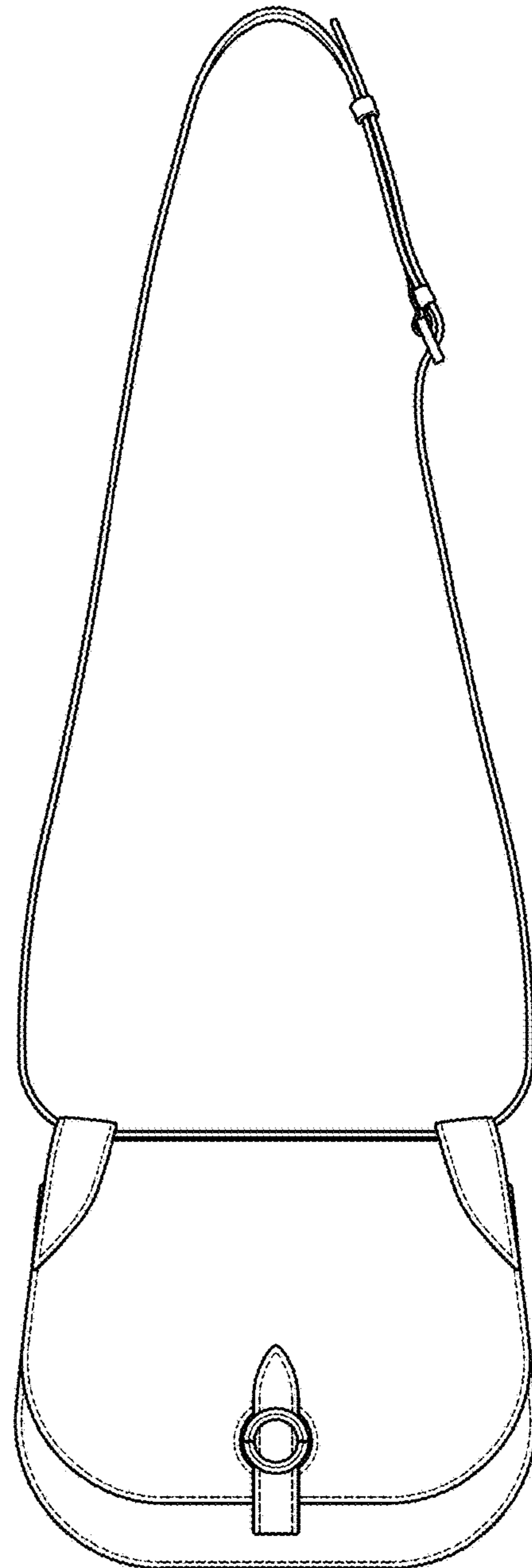


FIG. 2

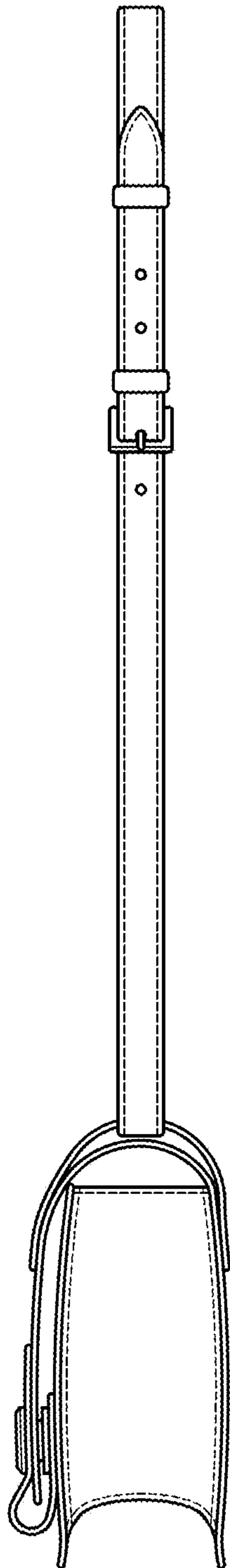


FIG. 3

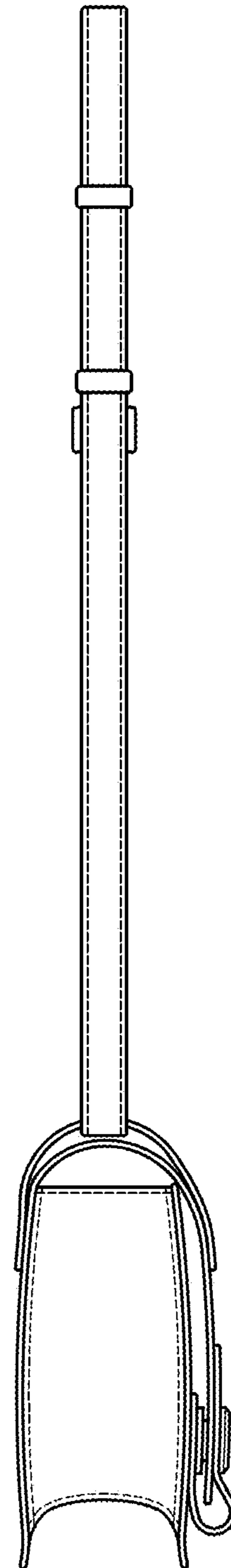


FIG. 4

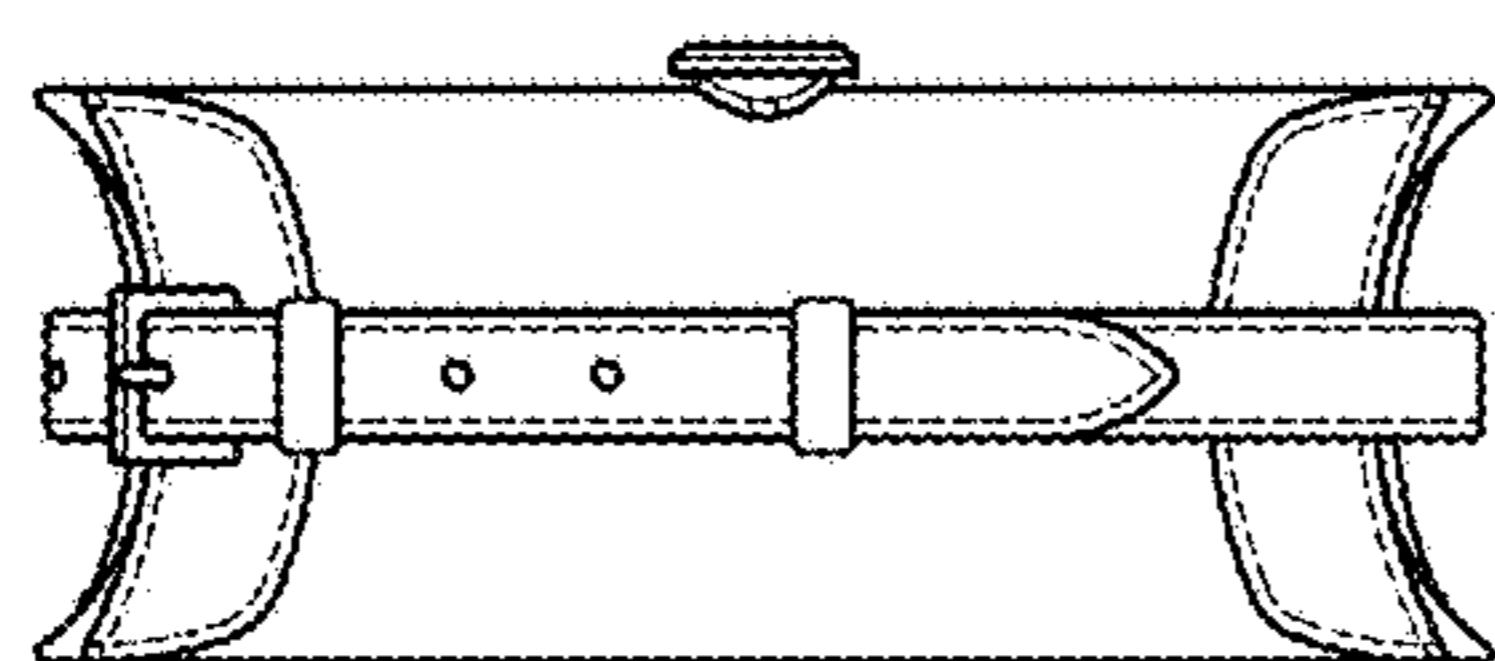


FIG. 5

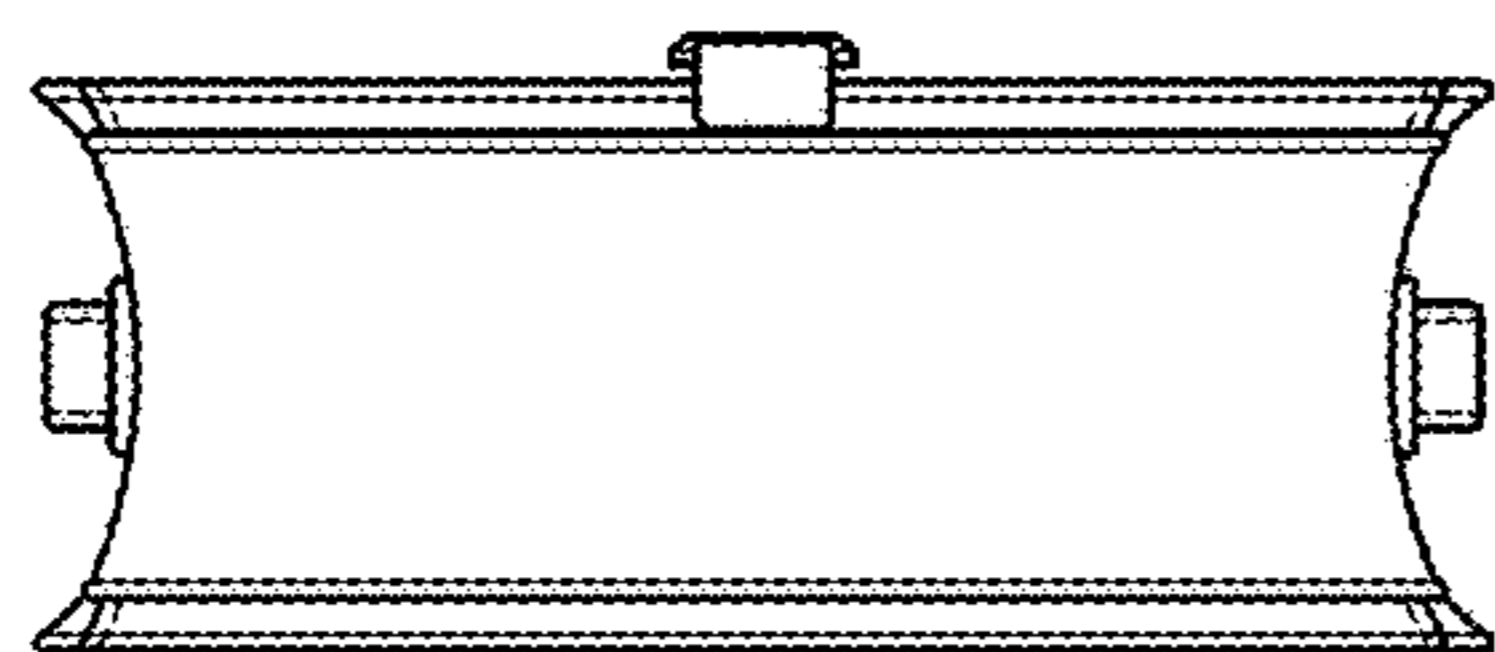


FIG. 6

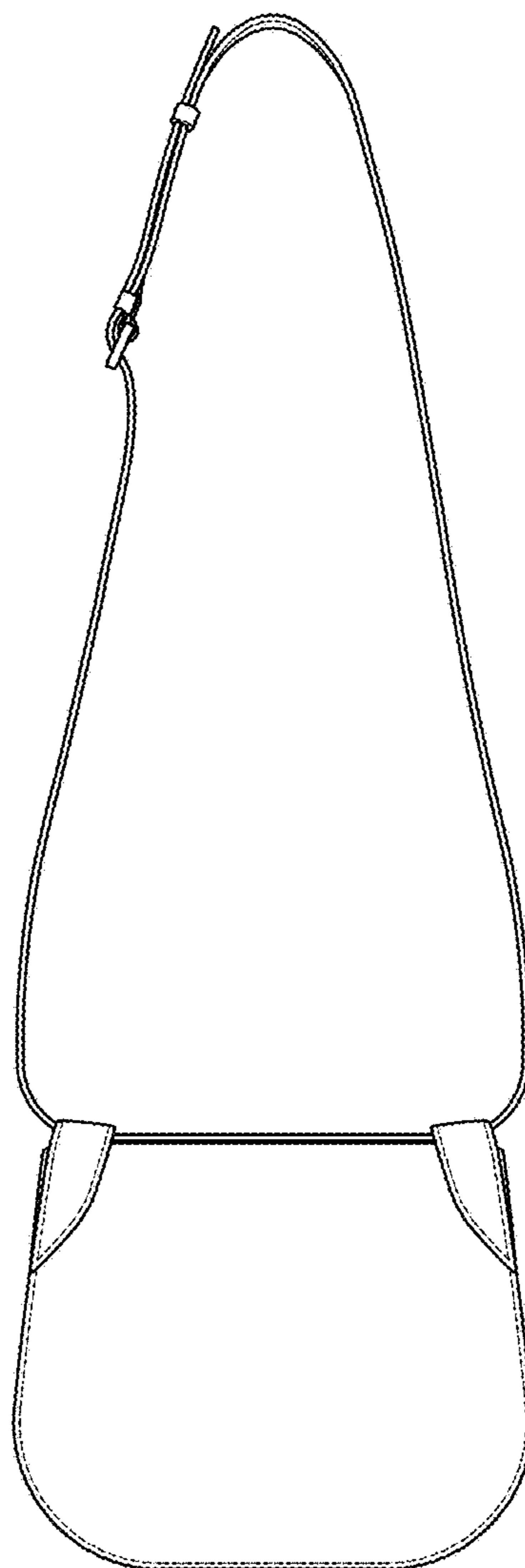


FIG. 7