

US00D787817S

(12) **United States Design Patent** (10) **Patent No.:** **US D787,817 S**
Lee (45) **Date of Patent:** **** May 30, 2017**

(54) **BAG**
(71) Applicant: **Pil Hee Lee**, Seoul (KR)
(72) Inventor: **Pil Hee Lee**, Seoul (KR)
(**) Term: **15 Years**
(21) Appl. No.: **29/582,277**
(22) Filed: **Oct. 26, 2016**
(51) **LOC (10) Cl.** **03-01**
(52) **U.S. Cl.**
USPC **D3/232**
(58) **Field of Classification Search**
USPC D3/232-233, 240-243, 245-246
CPC A45C 3/06; A45C 1/024; A45C 3/04
See application file for complete search history.

(56) **References Cited**
U.S. PATENT DOCUMENTS
D331,837 S 12/1992 Bentsen
D631,247 S * 1/2011 Sabbah D3/232
D637,809 S * 5/2011 Meldeau D3/232
D641,157 S * 7/2011 Steele D3/232

D641,549 S * 7/2011 Caldwell D3/232
D724,839 S 3/2015 Holden
D725,900 S * 4/2015 McCue D3/232
D753,914 S 4/2016 Van Migem et al.
D761,955 S 7/2016 Marshall
D763,570 S * 8/2016 Potts D3/232
D764,791 S * 8/2016 Patel D3/232
* cited by examiner

Primary Examiner — Holly Baynham
(74) *Attorney, Agent, or Firm* — IPLA P.A.; James E. Bame

(57) **CLAIM**
The ornamental design for a bag, as shown and described.

DESCRIPTION
FIG. 1 is a perspective view of my new design;
FIG. 2 is another perspective view of my new design;
FIG. 3 is a front elevational view of FIG. 1;
FIG. 4 is a side elevational view of FIG. 1, the opposite side being a mirror image; and,
FIG. 5 is a rear elevational view of FIG. 1.
The broken lines representing stitching are part of the claimed design.

1 Claim, 4 Drawing Sheets

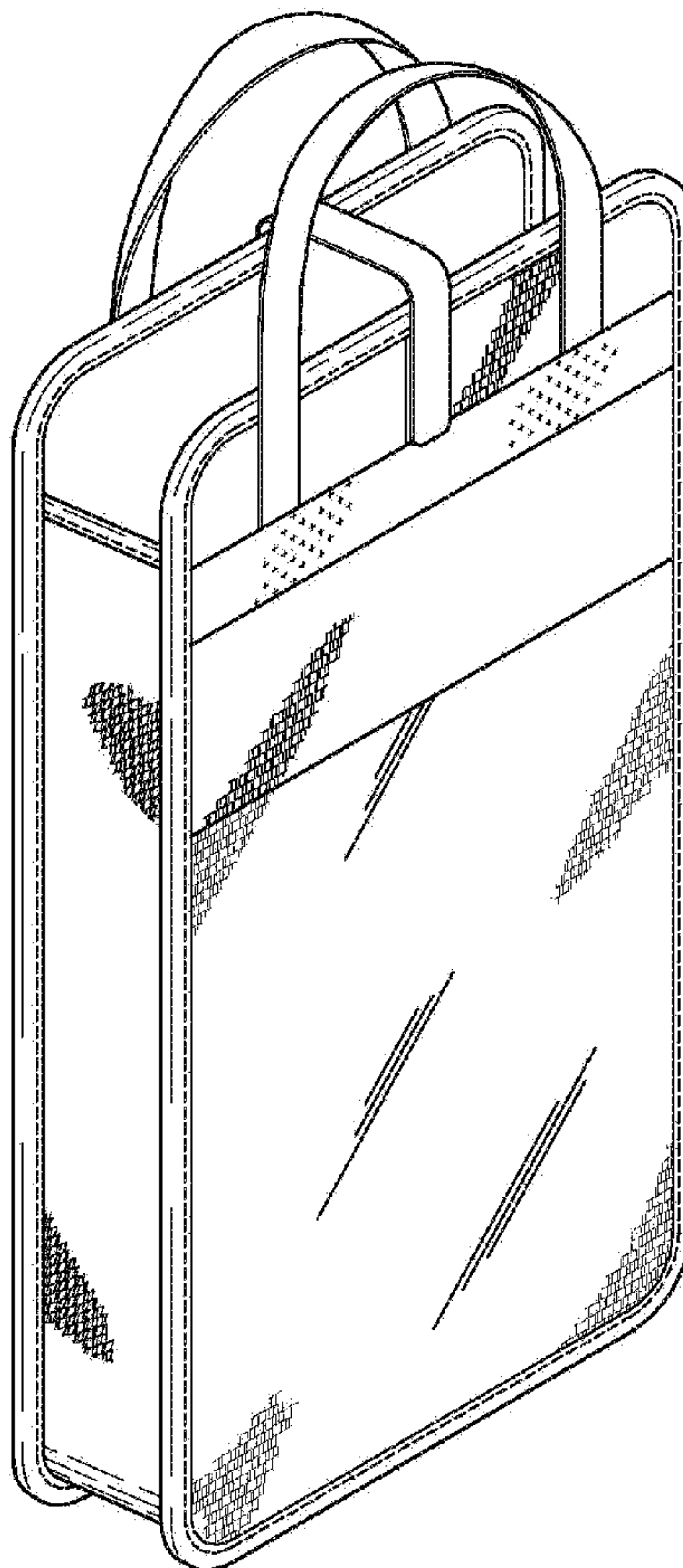


FIG. 1

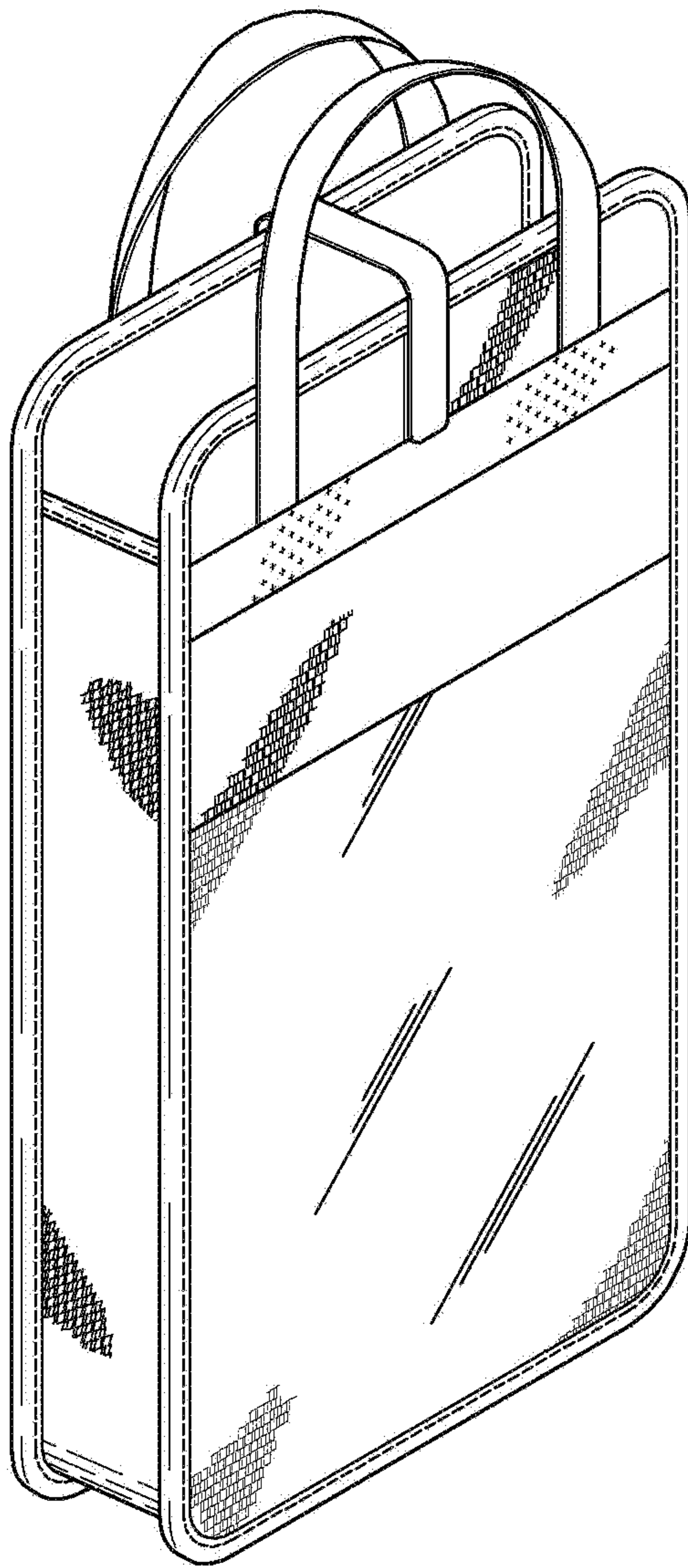


FIG. 2

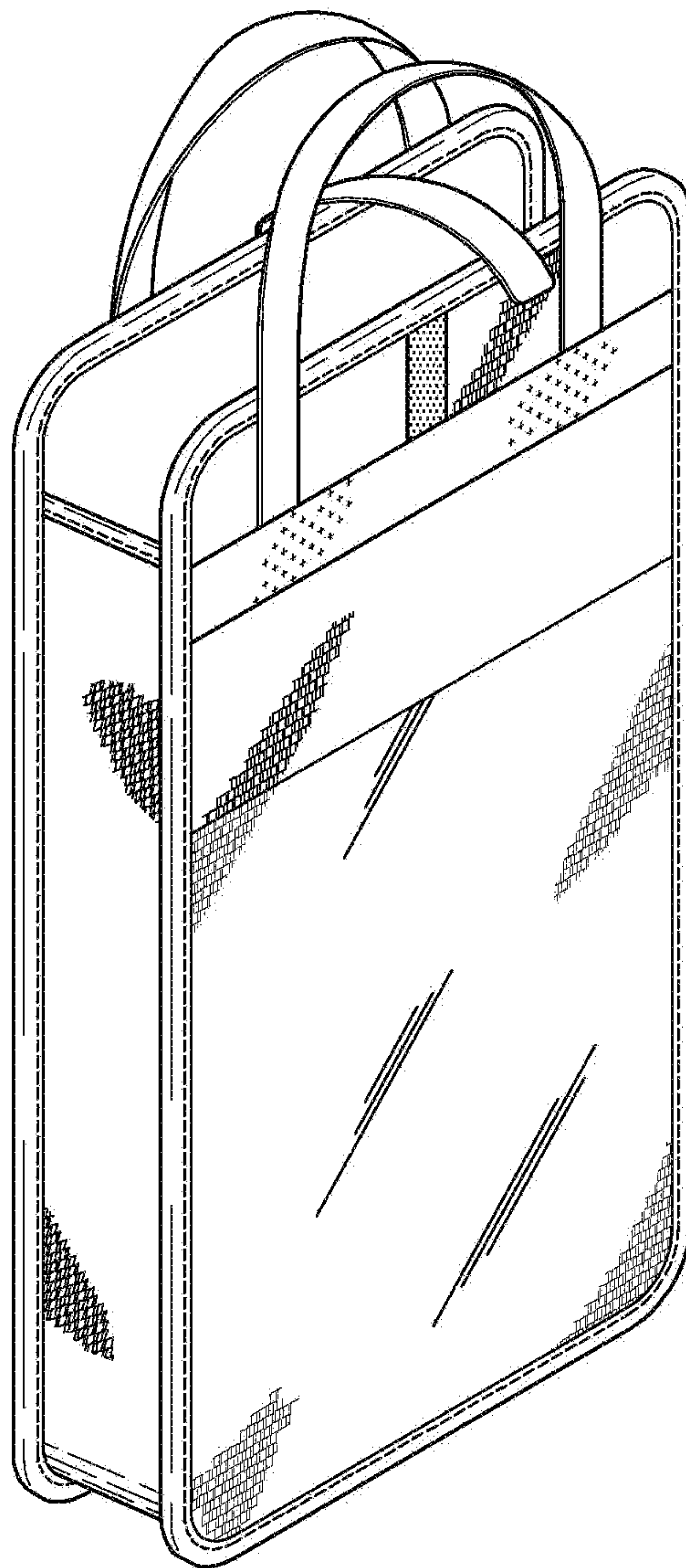


FIG. 3

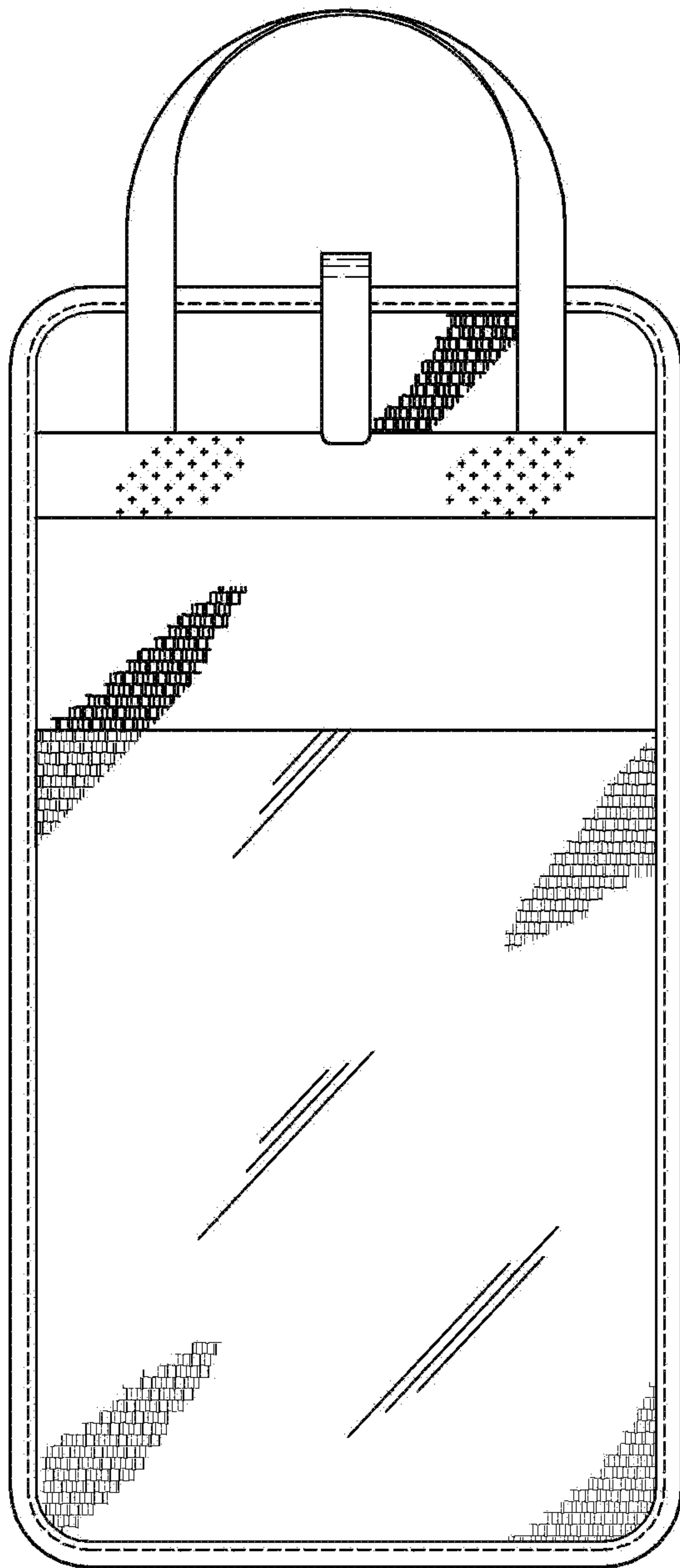


FIG. 4

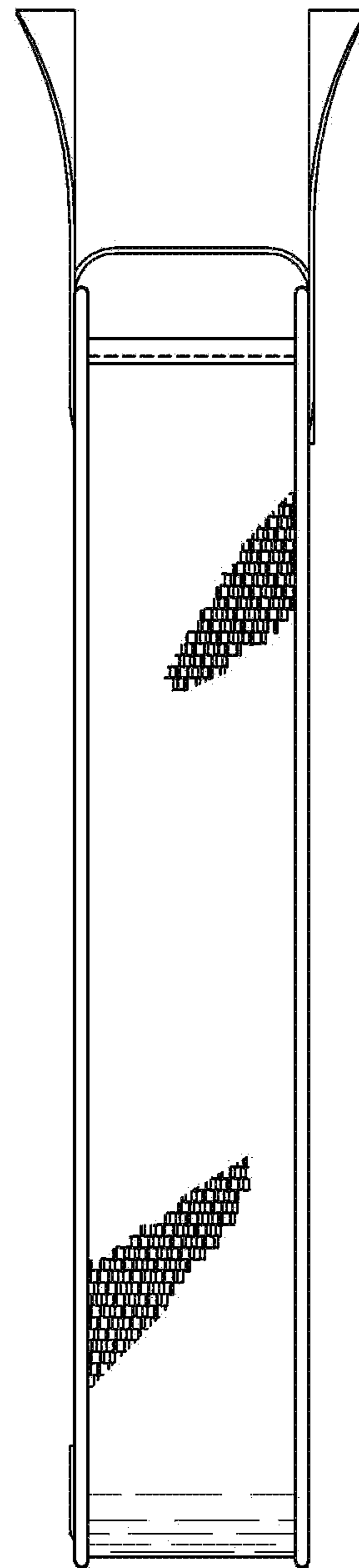


FIG. 5

