



US00D787816S

(12) **United States Design Patent**
Slimane

(10) **Patent No.:** **US D787,816 S**

(45) **Date of Patent:** **** May 30, 2017**

(54) **BACKPACK**

(71) Applicant: **YVES SAINT LAURENT**, Paris (FR)

(72) Inventor: **Hedi Slimane**, West Hollywood, CA (US)

(73) Assignee: **YVES SAINT LAURENT**, Paris (FR)

(**) Term: **15 Years**

(21) Appl. No.: **29/553,608**

(22) Filed: **Feb. 3, 2016**

(51) **LOC (10) Cl.** **03-01**

(52) **U.S. Cl.**
USPC **D3/217**

(58) **Field of Classification Search**
USPC D3/201, 213-219, 221, 224, 225, 229,
D3/230, 232, 243-246, 254, 318
CPC .. A45C 3/08; A45C 3/06; A45C 13/08; A45C
13/02; A45C 7/0086; A45C 3/00; A45C
13/26; A45F 3/04; A45F 3/02

See application file for complete search history.

(56) **References Cited**

U.S. PATENT DOCUMENTS

D249,188 S *	8/1978	Stewart	D3/217
D388,248 S *	12/1997	Rohrbach	D3/217
D396,952 S *	8/1998	Liu	D3/216
D407,214 S *	3/1999	Chapman	D3/217
D427,768 S *	7/2000	Bogert	D3/279
6,179,186 B1 *	1/2001	Blanking	A45F 3/04 224/153
D446,008 S *	8/2001	Schulze	D3/216
D448,161 S *	9/2001	Holodnicki	D3/216

D487,189 S *	3/2004	Ukitsu	D3/215
D500,590 S *	1/2005	Sachen	D3/216
D694,002 S *	11/2013	Bland	D29/101.3
D702,434 S *	4/2014	Chalk	D3/216
D710,086 S *	8/2014	Szewczyk	D3/217
D714,541 S *	10/2014	Anderson	D3/217
D734,942 S *	7/2015	Robinson	D3/217
D758,715 S *	6/2016	Daniel	D3/217
D775,816 S *	1/2017	Slimane	D3/217
2002/0139820 A1 *	10/2002	Godshaw	A45F 4/02 224/153

* cited by examiner

Primary Examiner — George D Kirschbaum

Assistant Examiner — Jennifer Watkins

(74) *Attorney, Agent, or Firm* — Donald J. Ranft; Collen IP

(57) **CLAIM**

The ornamental design for a backpack, as shown and described.

DESCRIPTION

FIG. 1 is a front left perspective view of a backpack showing my new design;

FIG. 2 is a front view thereof;

FIG. 3 is a rear view thereof;

FIG. 4 is a left side view thereof;

FIG. 5 is a right side view thereof;

FIG. 6 is a top view thereof; and,

FIG. 7 is a bottom view thereof.

The portions of the backpack shown in broken lines represent claimed thread stitching.

1 Claim, 7 Drawing Sheets

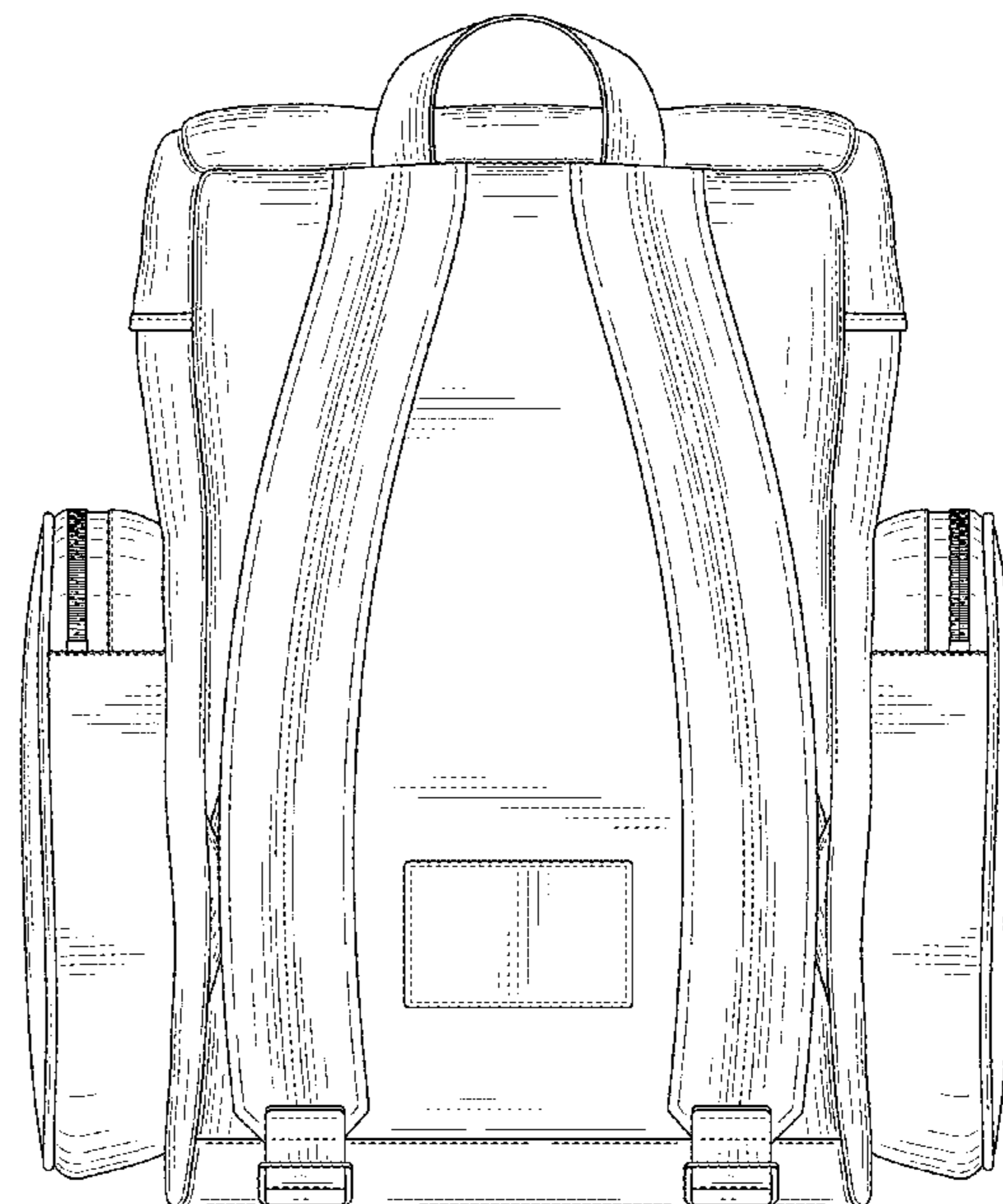




FIG. 1

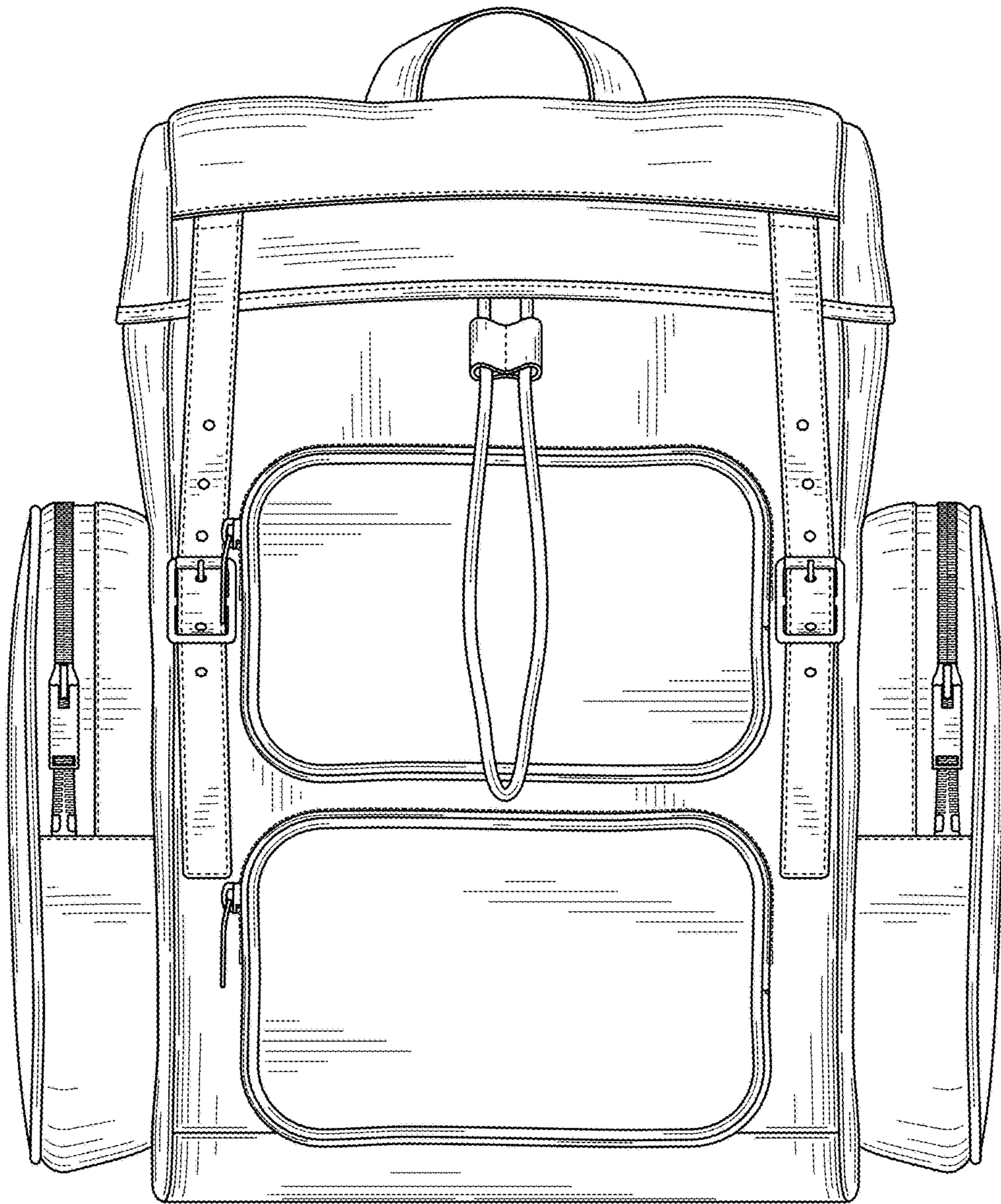


FIG. 2

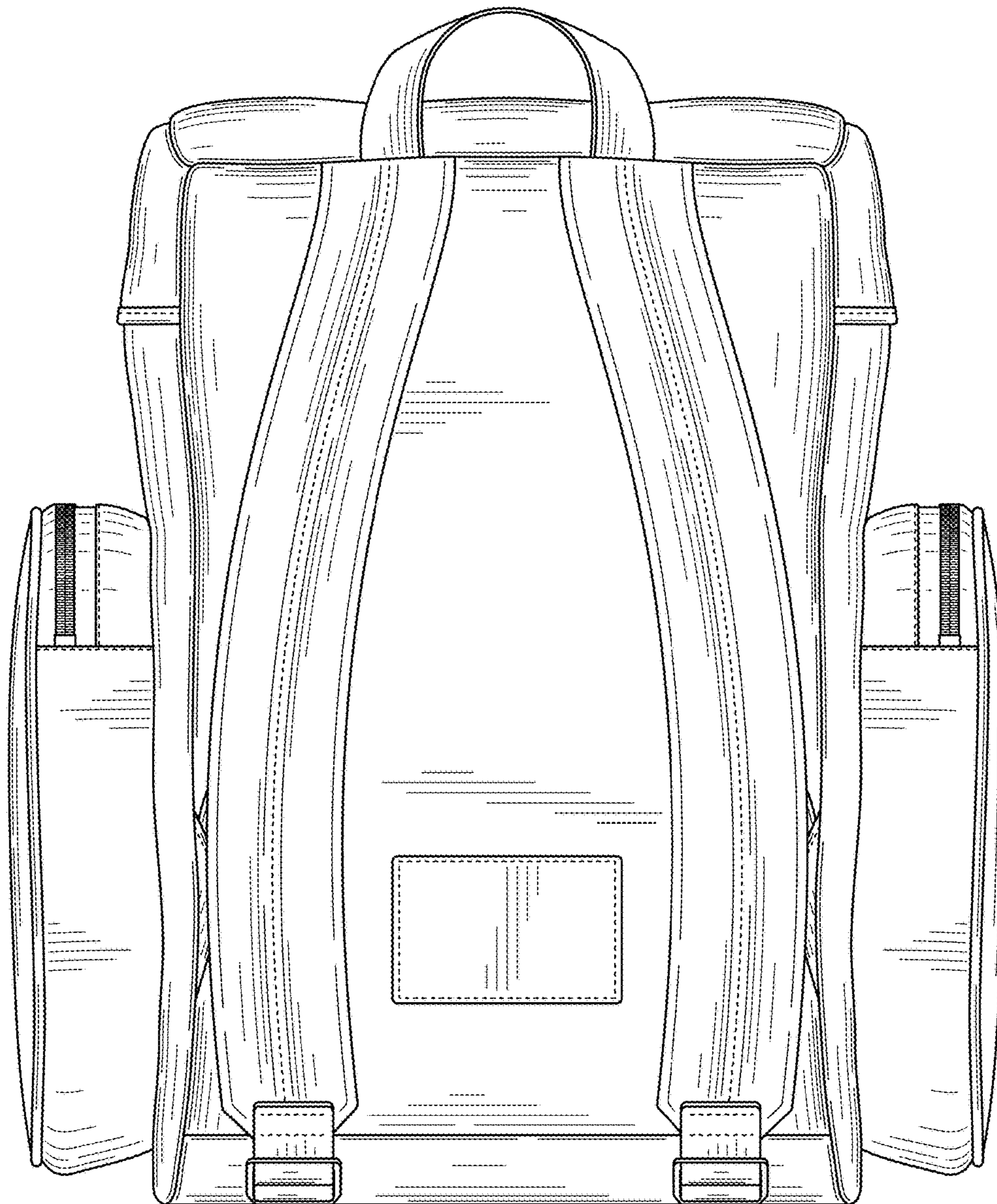


FIG. 3

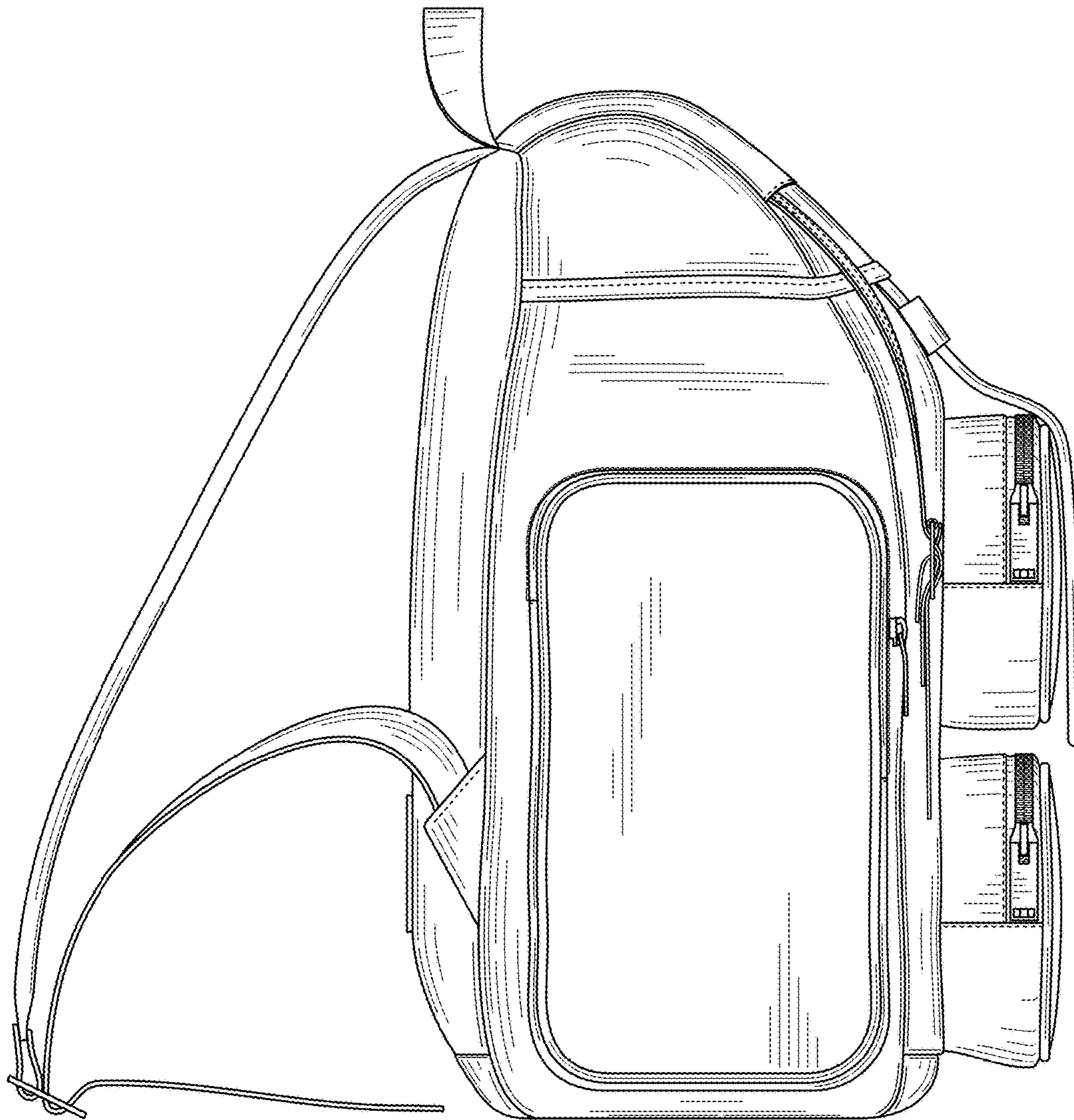


FIG. 4

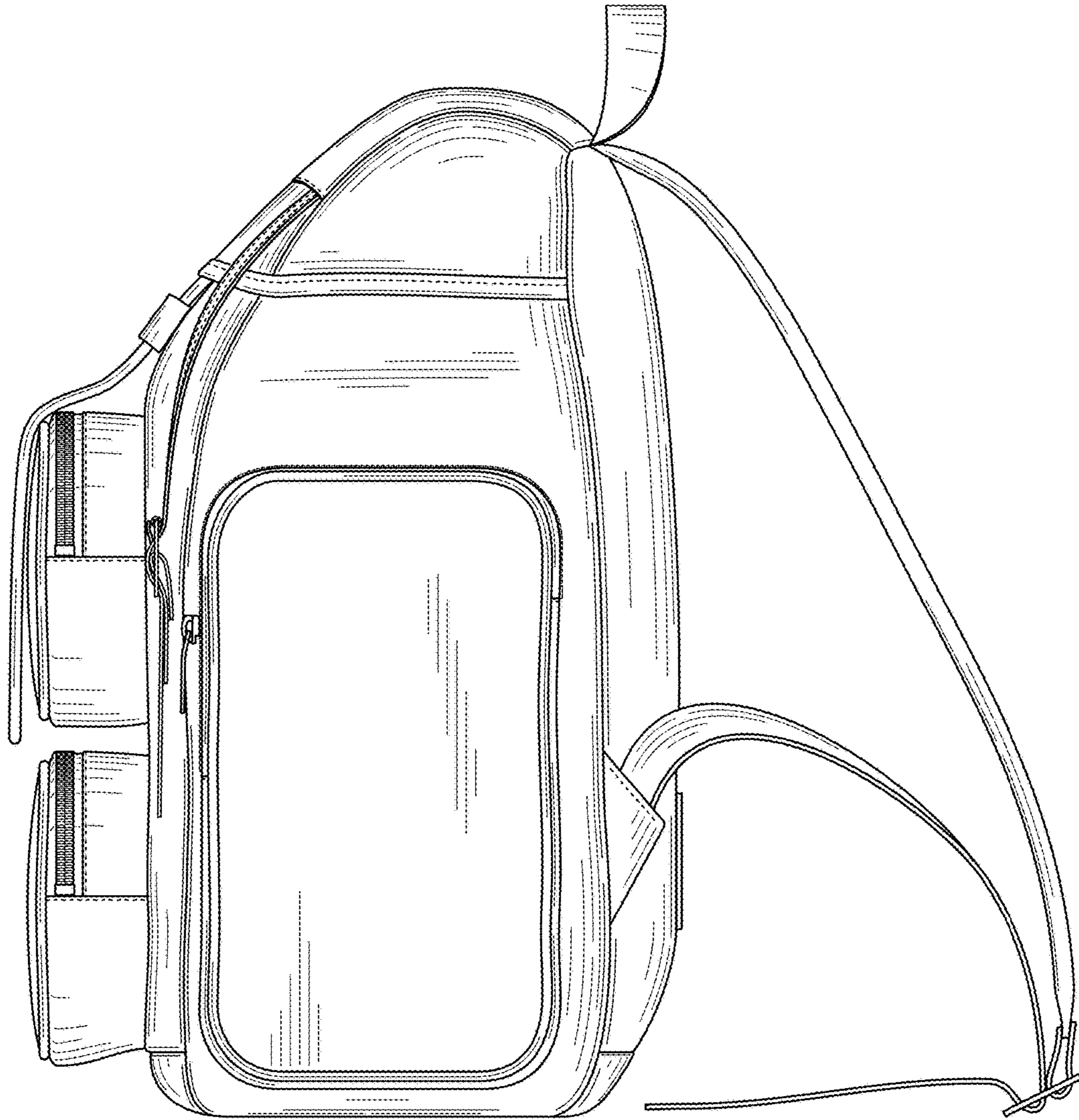


FIG. 5

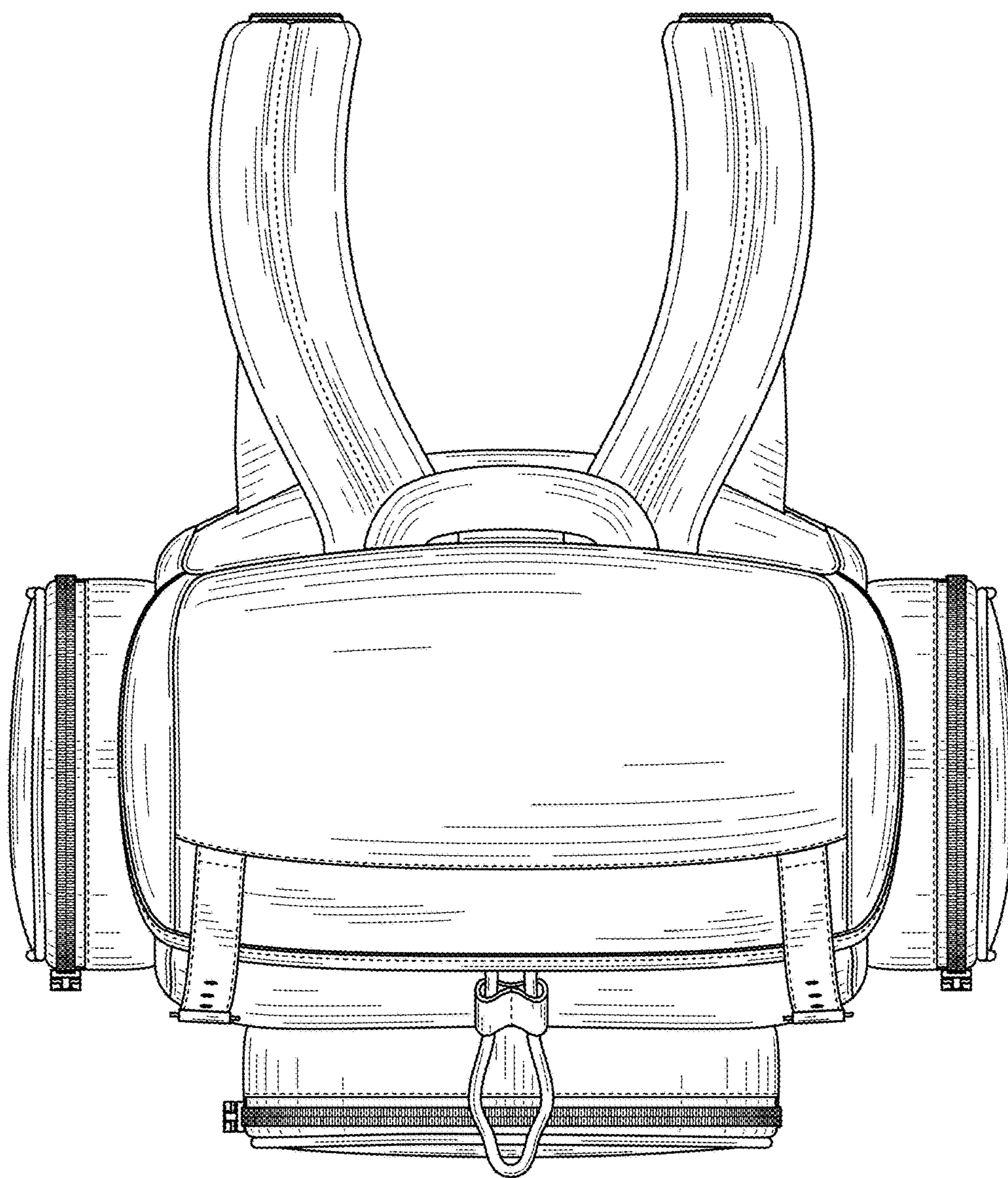


FIG. 6

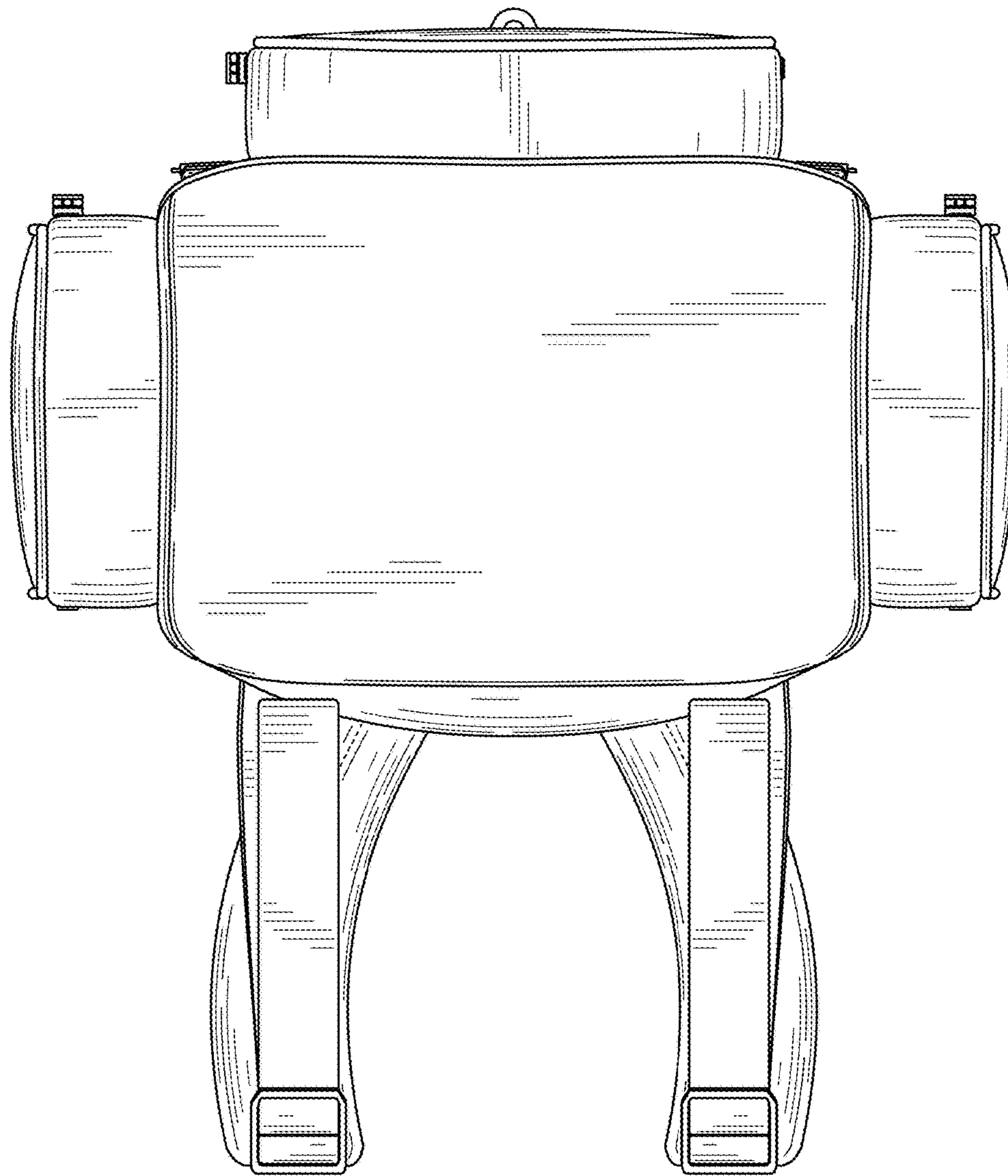


FIG. 7