



US00D787809S

(12) **United States Design Patent** (10) **Patent No.:** **US D787,809 S**
Vessel-Hills (45) **Date of Patent:** **** May 30, 2017**

- (54) **CRUTCH CADDY**
- (71) Applicant: **Fannie Vessel-Hills**, Baton Rouge, LA (US)
- (72) Inventor: **Fannie Vessel-Hills**, Baton Rouge, LA (US)
- (**) Term: **15 Years**
- (21) Appl. No.: **29/551,503**
- (22) Filed: **Jan. 14, 2016**
- (51) **LOC (10) Cl.** **03-03**
- (52) **U.S. Cl.**
USPC **D3/10**
- (58) **Field of Classification Search**
USPC D3/5, 6, 7, 8, 10, 11, 13
CPC A45B 3/10; A45B 2009/002; A61H 3/02;
A61H 2003/025; A45C 2200/05
See application file for complete search history.

5,642,749 A *	7/1997	Perryman	A61H 3/02
				135/66
D382,393 S *	8/1997	Tyler	D3/10
D411,654 S *	6/1999	Olkey	D3/10
6,026,833 A *	2/2000	Conte	A61H 3/02
				135/66
6,634,531 B2 *	10/2003	Conte	A61H 3/02
				135/66
7,243,667 B2 *	7/2007	Floriani	A61H 3/02
				135/68
D632,070 S *	2/2011	Clark	D3/10
D646,478 S *	10/2011	Eckels	D3/203.1
D689,284 S *	9/2013	Weitzel	D3/315
D698,143 S *	1/2014	Myers	D3/10
D768,546 S *	10/2016	Ingallinera	D12/133
D780,476 S *	3/2017	Panico	D6/534
2005/0178939 A1 *	8/2005	Krieg	A61H 3/02
				248/311.2

* cited by examiner

Primary Examiner — John Windmuller
Assistant Examiner — Steven Czyz
(74) *Attorney, Agent, or Firm* — Robert C. Montgomery;
Montgomery Patent & Design, LP.

(56) **References Cited**
U.S. PATENT DOCUMENTS

4,146,045 A *	3/1979	Grant	A61H 3/02
				135/66
4,289,156 A *	9/1981	Ulics	A61H 3/00
				135/66
4,295,483 A *	10/1981	Smith	A61H 3/02
				135/66
D293,841 S *	1/1988	Strobel	D3/201
4,850,383 A *	7/1989	McBride	A61H 3/02
				135/66
D316,326 S *	4/1991	Kaldenbach	D3/10
D324,297 S *	3/1992	Cline, III	D3/10
D324,450 S *	3/1992	Pugh	D3/10
5,101,845 A *	4/1992	Kravetz	A45B 3/00
				135/66
D328,519 S *	8/1992	Tom	D3/10
D340,012 S *	10/1993	Azzarelli	D12/130
D343,055 S *	1/1994	Child	D12/133
D357,798 S *	5/1995	Dietrich	D3/10

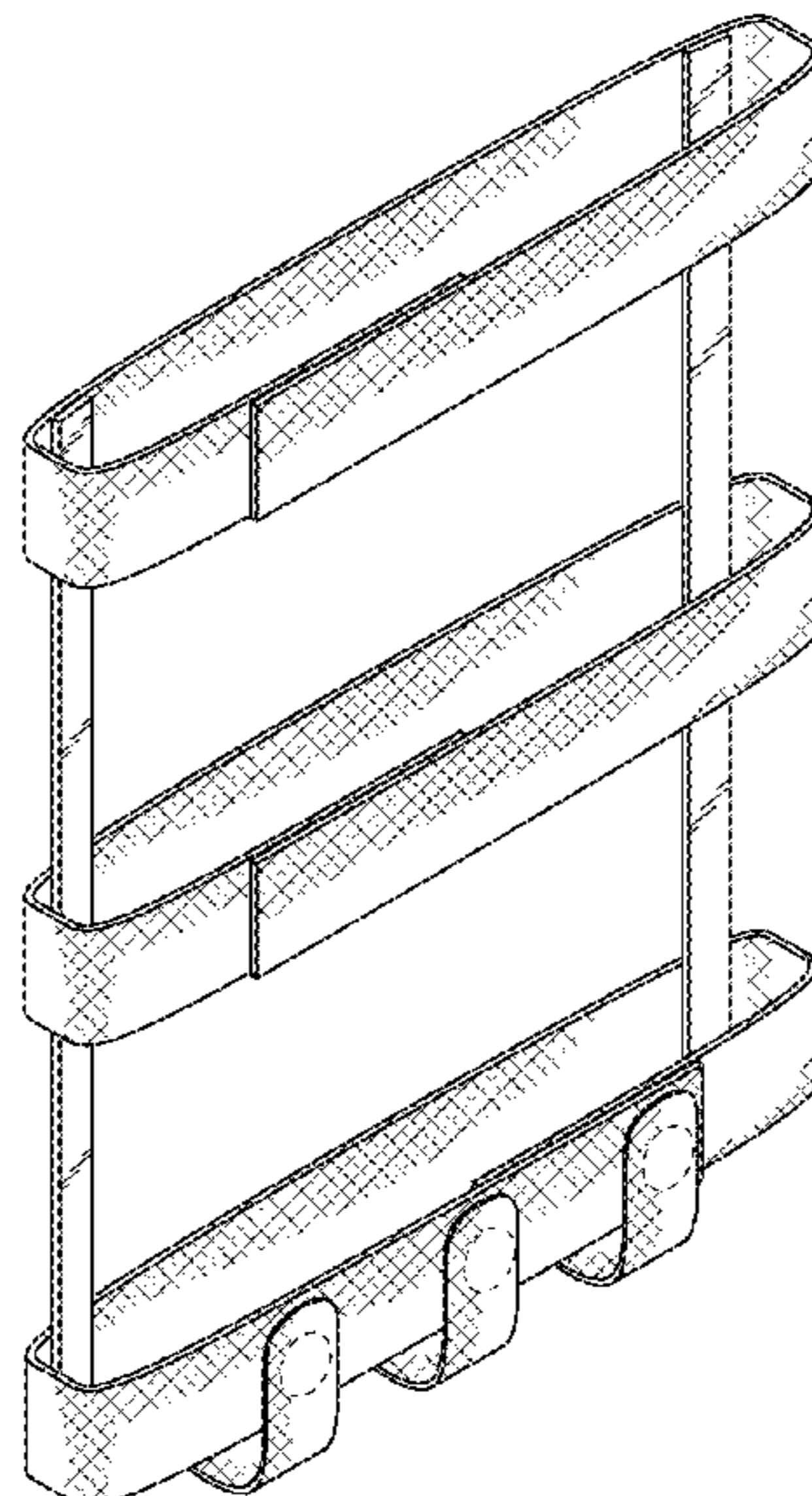
(57) **CLAIM**

The ornamental design for a crutch caddy, as shown and described.

DESCRIPTION

FIG. 1 is a front side perspective view of a crutch caddy showing my new design;
FIG. 2 is a front side elevation view thereof;
FIG. 3 is a rear side elevation view thereof;
FIG. 4 is a right side elevation view thereof, the left side elevation view being a mirror image thereof;
FIG. 5 is a top plan view thereof; and,
FIG. 6 is a bottom plan view thereof.
The broken lines in the figures depict portions of the crutch caddy that form no part of the claimed design.

1 Claim, 6 Drawing Sheets



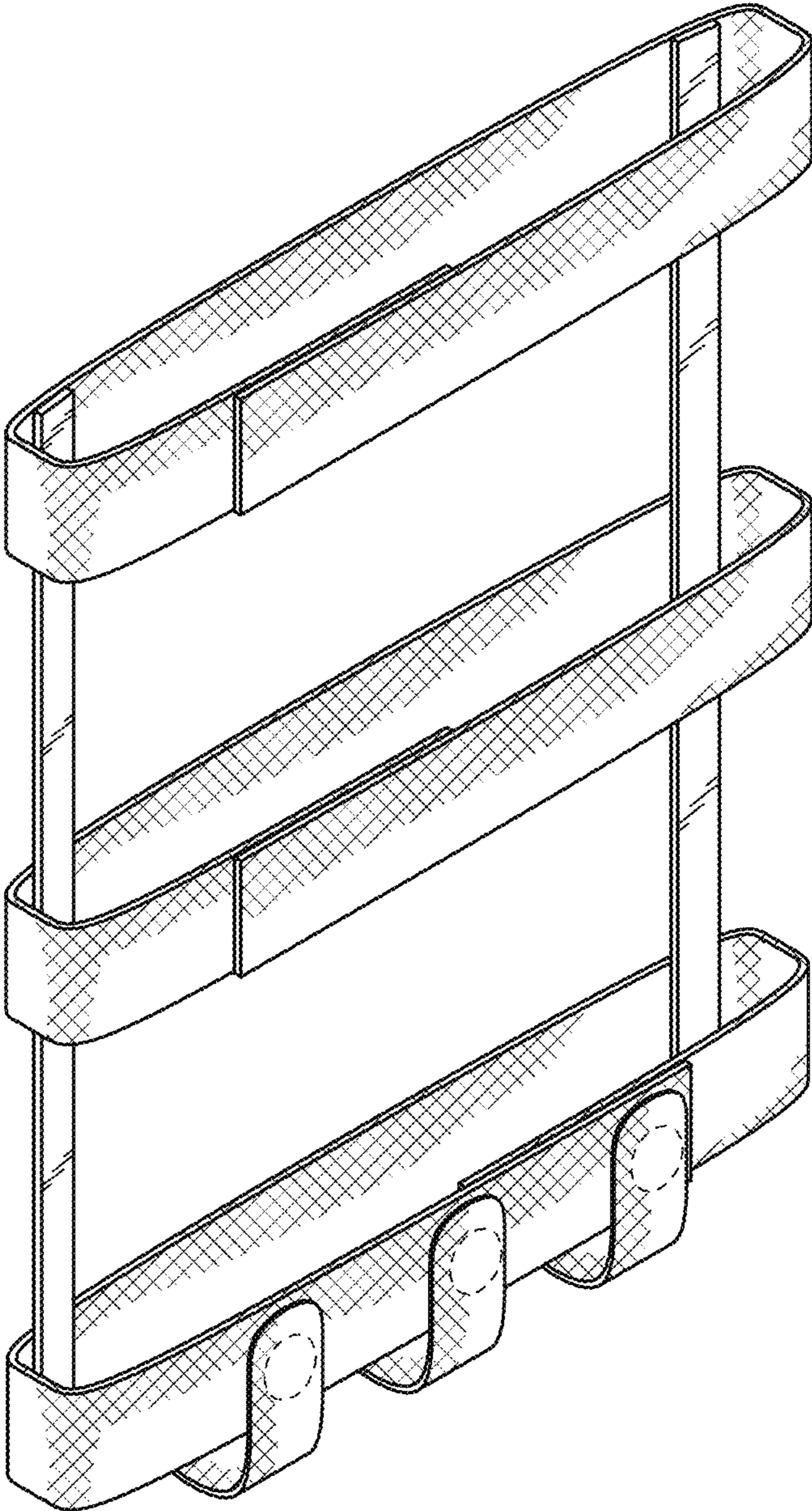


FIG. 1

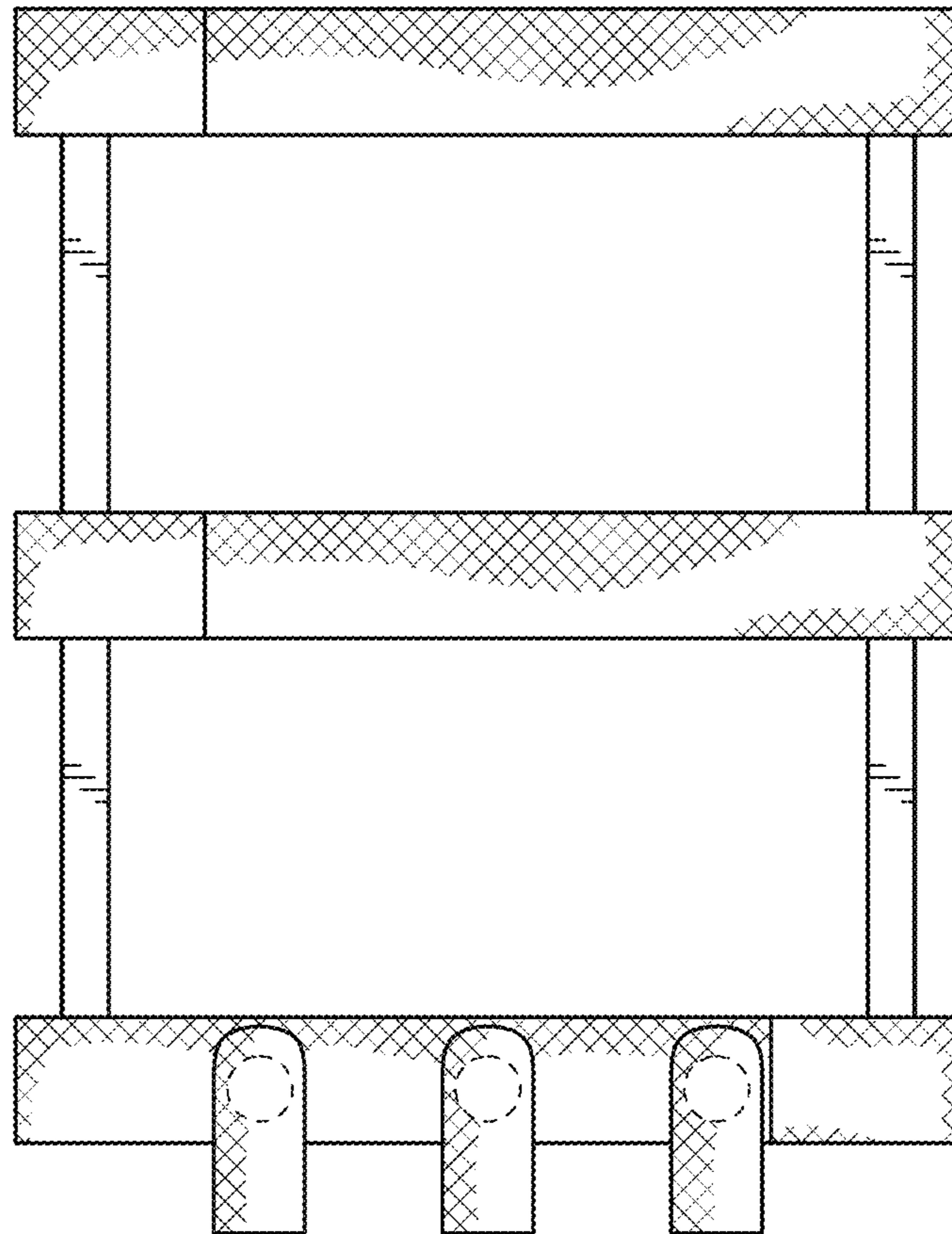


FIG. 2

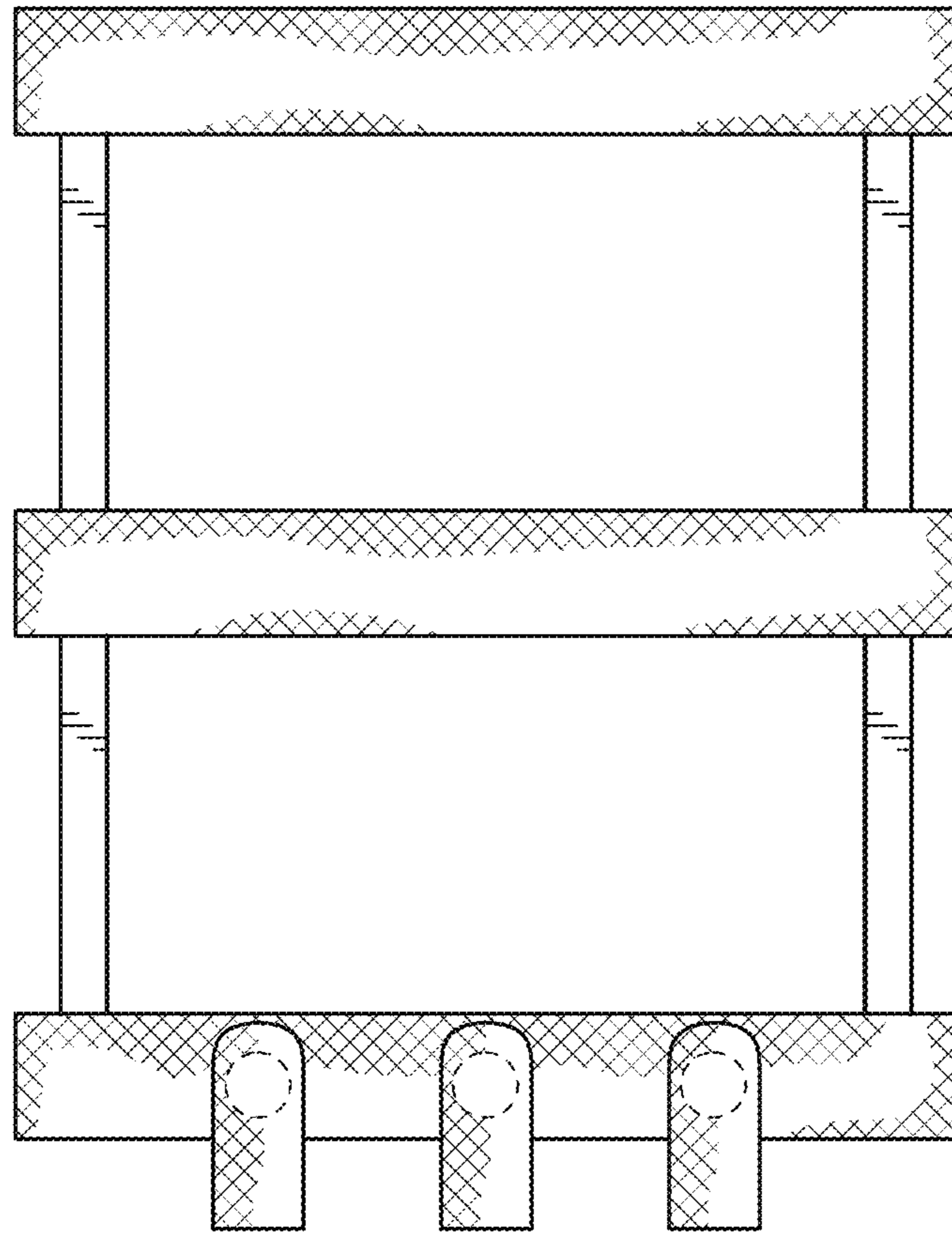


FIG. 3

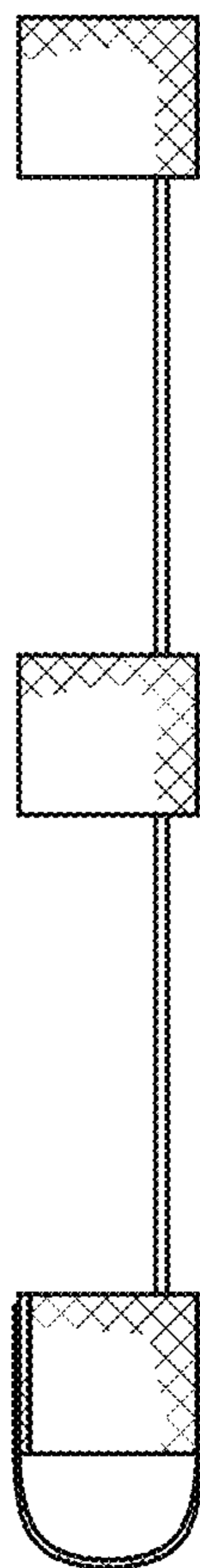


FIG. 4

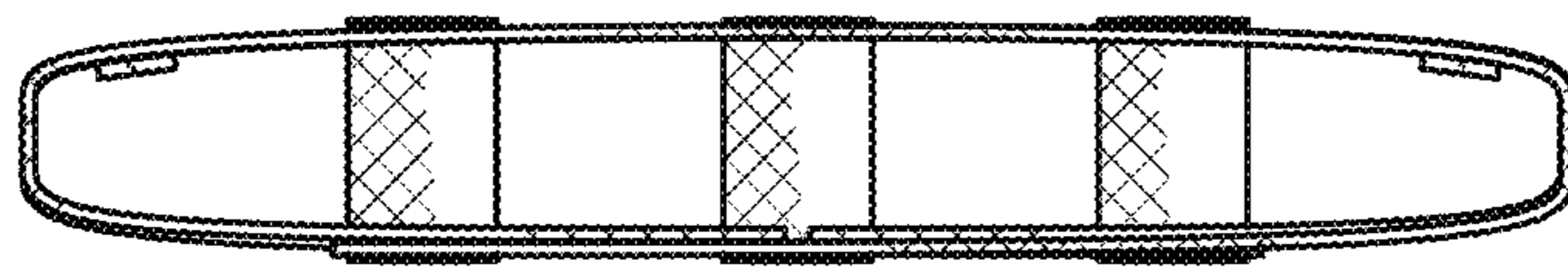


FIG. 5

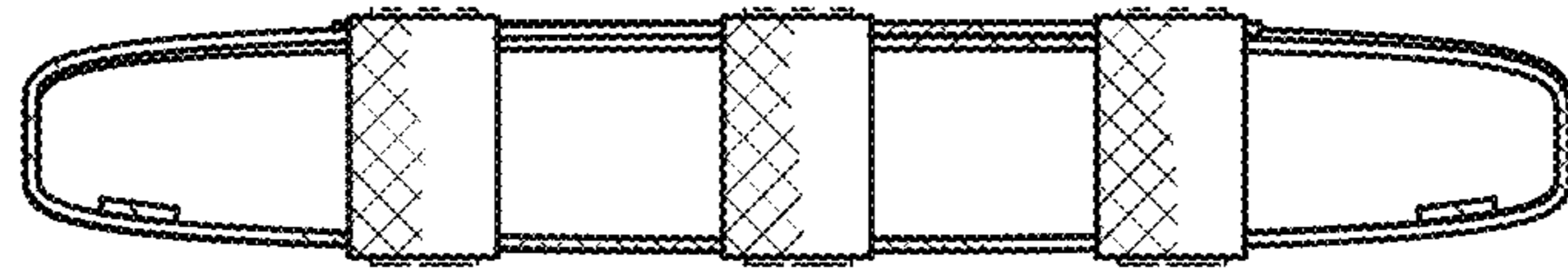


FIG. 6