



US00D787789S

(12) **United States Design Patent** (10) **Patent No.:** **US D787,789 S**
Del Biondi et al. (45) **Date of Patent:** **** May 30, 2017**

(54) **FOOTWEAR**
(71) Applicant: **CROCS, INC.**, Niwot, CO (US)
(72) Inventors: **Stefano Del Biondi**, Noventa Padovana (IT); **Federico Fongher**, Villatora di Saonara (IT)

6,993,858 B2 2/2006 Seamans
D517,788 S 3/2006 Seamans
D517,789 S 3/2006 Seamans
D517,790 S 3/2006 Seamans
D525,419 S 7/2006 Seamans
D529,263 S 10/2006 Wolf

(Continued)

(73) Assignee: **Crocs, Inc.**, Niwot, CO (US)
(**) Term: **15 Years**

FOREIGN PATENT DOCUMENTS

CN ZL200830004737 4/2009
CN ZL201130336894 7/2012

(Continued)

(21) Appl. No.: **29/569,604**

(22) Filed: **Jun. 29, 2016**

OTHER PUBLICATIONS

Buddy by Calzuro: A New Born in the Calzuro's Family, <http://www.calzuro.it/news.php?lang=en&id=20> (May 13, 2009) (6 pages).

(Continued)

Related U.S. Application Data

(63) Continuation of application No. 29/502,839, filed on Sep. 19, 2014, now Pat. No. Des. 762,953.

(51) **LOC (10) Cl.** **02-04**

(52) **U.S. Cl.**
USPC **D2/923**

(58) **Field of Classification Search**
USPC D2/896, 900, 916, 917, 923, 943,
D2/946-96, 969, 972, 976; 36/45, 8,
36/100, 88, 102, 112, 113, 3 A, 3 R, 7.4,
36/11.5, 4, 87, 7.5, 25 R
CPC A43B 1/0081; A43B 1/14; A43B 3/0042;
A43B 7/06; A43B 7/08

See application file for complete search history.

Primary Examiner — Holly Baynham
Assistant Examiner — Rashida C Walshon
(74) *Attorney, Agent, or Firm* — Wilmer Cutler Pickering Hale and Dorr LLP

(57) **CLAIM**

The ornamental design for footwear, as shown and described.

DESCRIPTION

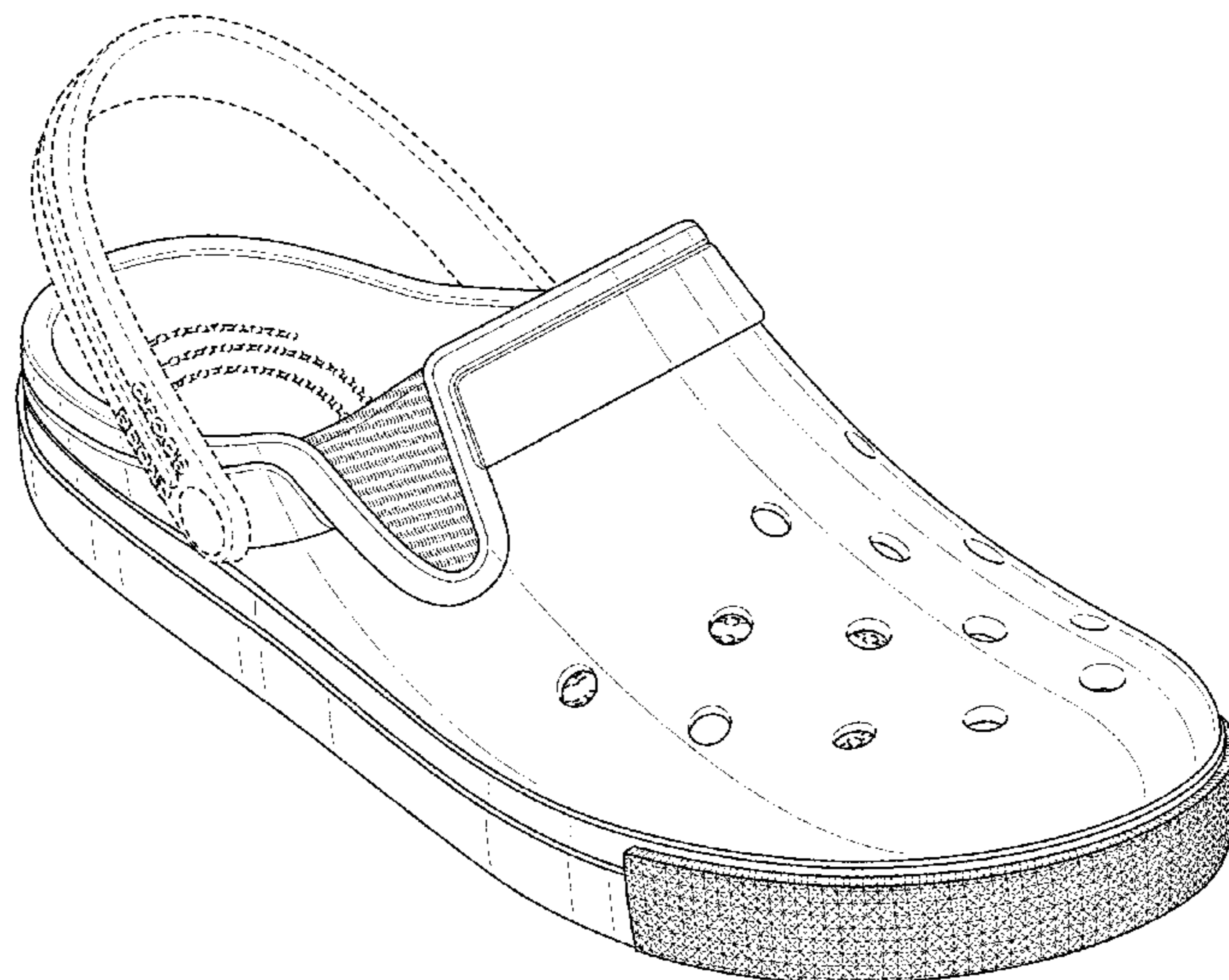
FIG. 1 is a front perspective view of footwear;
FIG. 2 is a front view thereof;
FIG. 3 is a back view thereof;
FIG. 4 is an outer side view thereof;
FIG. 5 is an inner side view thereof;
FIG. 6 is a top view thereof; and,
FIG. 7 is a bottom view thereof.
The broken lines in the drawings represent portions of the footwear that form no part of the claimed design.

(56) **References Cited**

U.S. PATENT DOCUMENTS

D310,289 S 9/1990 Farina
D416,667 S 11/1999 Lamstein
D428,240 S 7/2000 Hoyt et al.
D473,040 S 4/2003 Hawker et al.
D476,797 S 7/2003 Schenone
D479,034 S 9/2003 Tzenos
D479,906 S 9/2003 Hawker et al.
D498,901 S 11/2004 Hawker et al.

1 Claim, 7 Drawing Sheets



(56)

References Cited

U.S. PATENT DOCUMENTS

7,146,751 B2 12/2006 Seamans
 D535,088 S 1/2007 Seamans
 D543,341 S 5/2007 Seamans
 D543,681 S 6/2007 McCarthy
 D545,032 S 6/2007 Wolf
 D545,033 S 6/2007 Wolf
 D561,982 S 2/2008 Hoyt
 D563,082 S 3/2008 Seamans
 D564,204 S 3/2008 Seamans
 D564,205 S 3/2008 Seamans
 D564,207 S 3/2008 Seamans
 D564,208 S 3/2008 Seamans
 D564,749 S 3/2008 Seamans
 D567,482 S 4/2008 Hoyt
 D567,483 S 4/2008 Liow
 D573,778 S 7/2008 Hawker
 D575,480 S 8/2008 Zimmerman
 D575,937 S 9/2008 Klavano
 D578,743 S 10/2008 Liow
 D579,182 S 10/2008 Klavano
 D579,651 S 11/2008 Hearn
 D584,032 S 1/2009 Jarosik
 D584,037 S 1/2009 del Biondi et al.
 D590,588 S 4/2009 del Biondi et al.
 D593,287 S 6/2009 Del Biondi et al.
 D599,538 S 9/2009 del Biondi et al.
 D600,907 S 9/2009 Boyd et al.
 D610,784 S 3/2010 Del Biondi
 D621,596 S * 8/2010 Seilles D2/969
 D624,733 S 10/2010 O'Boyle et al.
 D632,465 S 2/2011 del Biondi et al.
 D637,382 S 5/2011 Bathum
 D642,773 S 8/2011 Liow
 D648,105 S 11/2011 Schlageter et al.
 D648,512 S 11/2011 Schlageter et al.
 D650,157 S * 12/2011 Liow D2/923
 D667,612 S 9/2012 Del Biondi et al.
 D691,351 S 10/2013 Pugazhenth
 D698,131 S 1/2014 Del Biondi et al.
 D698,133 S 1/2014 Callegarini et al.
 D698,531 S 2/2014 Lock et al.

D708,827 S 7/2014 Kue
 D709,677 S * 7/2014 del Biondi D2/923
 D718,518 S 12/2014 Del Biondi et al.
 D722,747 S 2/2015 Kue
 D726,397 S 4/2015 Del Biondi et al.
 D728,204 S 5/2015 Fongher
 D732,808 S 6/2015 Del Biondi et al.
 D739,125 S 9/2015 Chanthavong
 D747,079 S * 1/2016 Carroll D2/923
 D751,798 S 3/2016 Laska
 2004/0231189 A1 11/2004 Seamans
 2004/0231190 A1 * 11/2004 Seamans A43B 1/0081
 36/11.5
 2004/0231191 A1 11/2004 Seamans
 2006/0048407 A1 3/2006 Seamans
 2007/0130797 A1 6/2007 Seamans

FOREIGN PATENT DOCUMENTS

CN ZL201330192247 11/2013
 CN ZL201430021510 6/2014
 EM 0000611220001 8/2003
 GB 2322286 A 8/1998
 WO WO-2004105531 A1 12/2004
 WO WO-2004105534 A2 12/2004

OTHER PUBLICATIONS

Croes: Cayman, <http://www.crocs.com/crocs-cayman/10001,default,pd.html?q=cayman> (Nov. 3, 2009) (6 pages) (depicting Cayman shoe on sale in the US more than one year before Feb. 23, 2009).
 Design U.S. Appl. No. 29/502,892, entitled Footwear, filed Sep. 19, 2014.
 Design U.S. Appl. No. 29/502,893, entitled Footwear, filed Sep. 19, 2014.
 Design U.S. Appl. No. 29/502,896, entitled Footwear, filed Sep. 19, 2014.
 Design U.S. Appl. No. 29/502,897, entitled Footwear, filed Sep. 19, 2014.

* cited by examiner

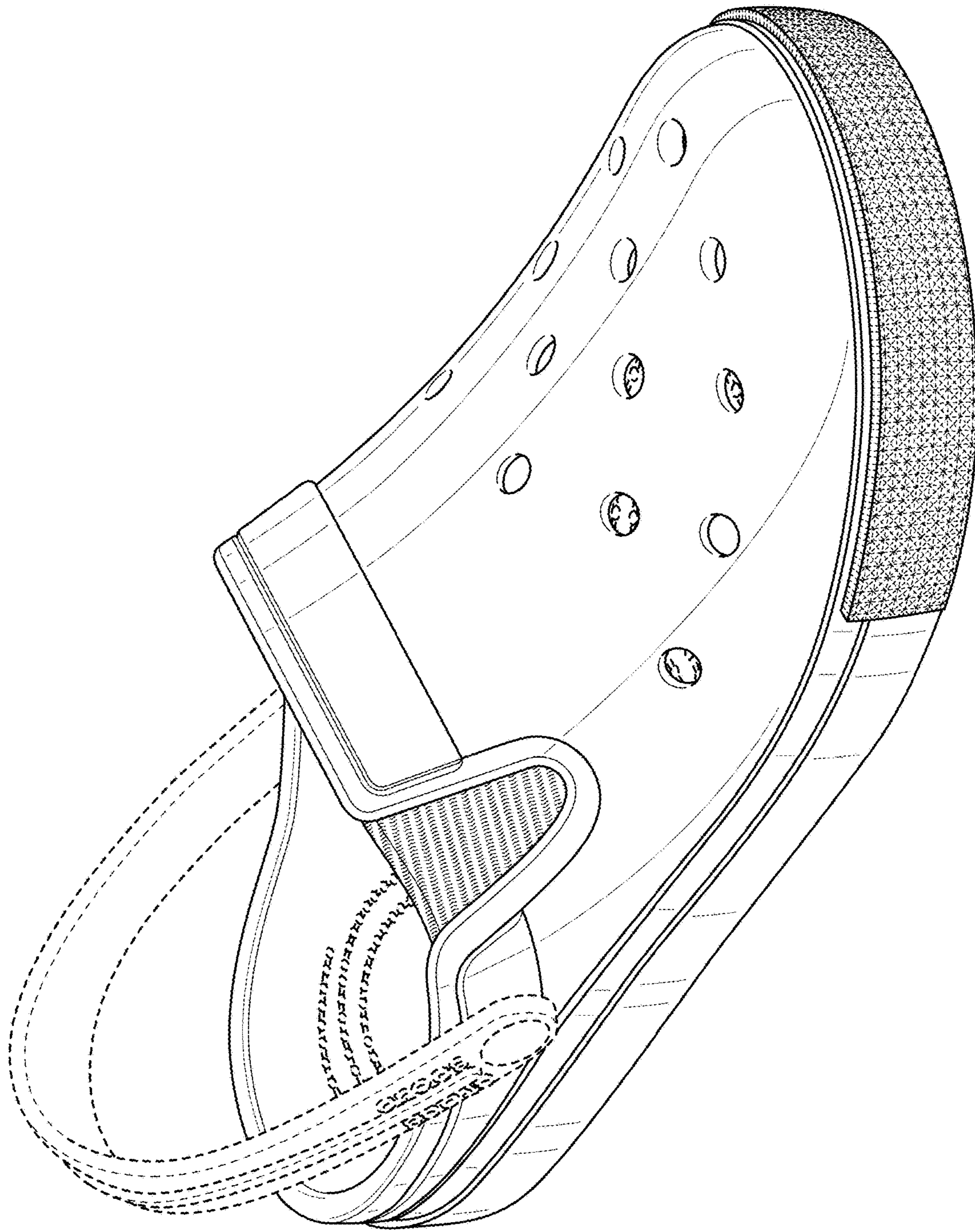


FIG. 1

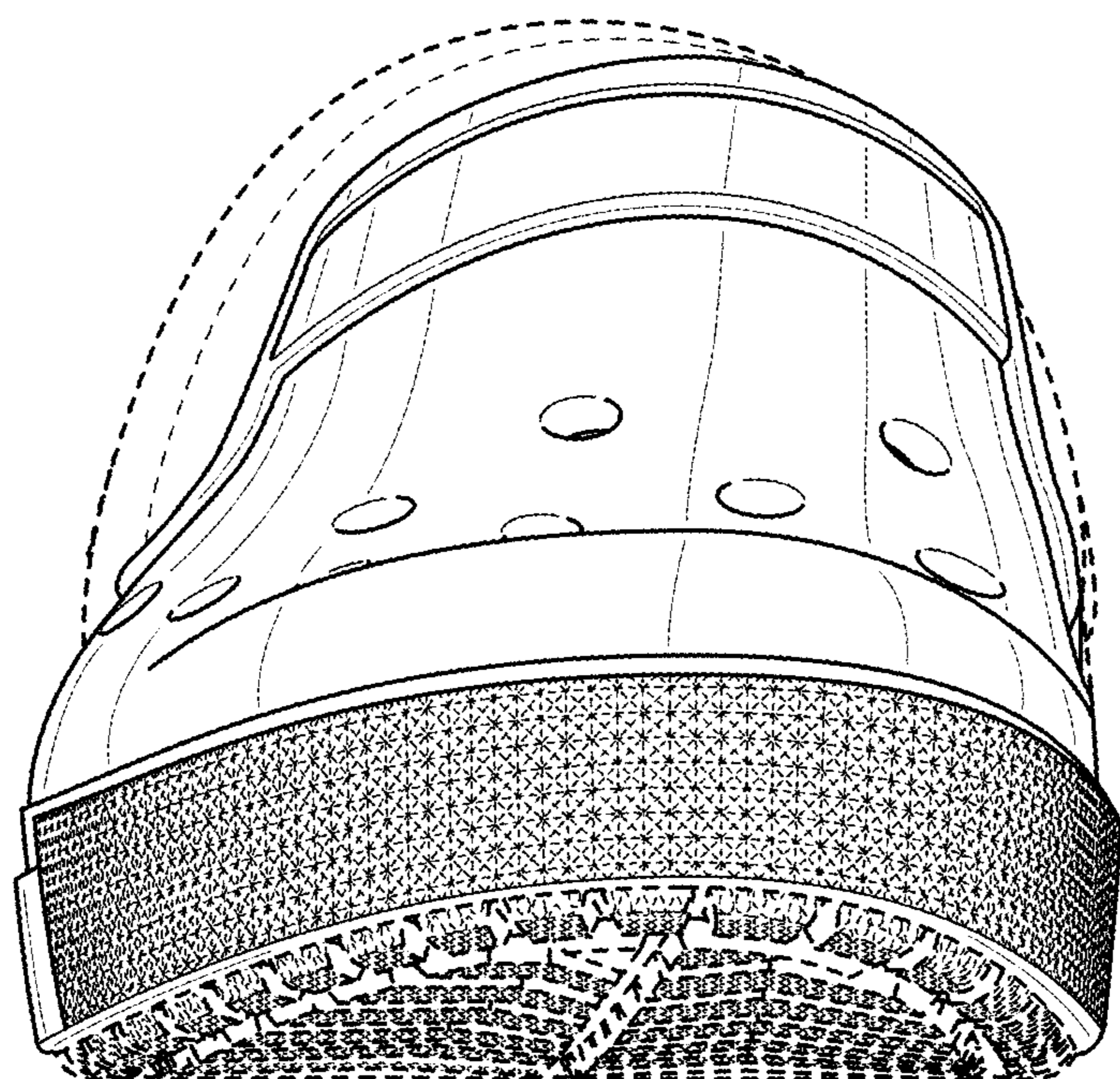


FIG. 2

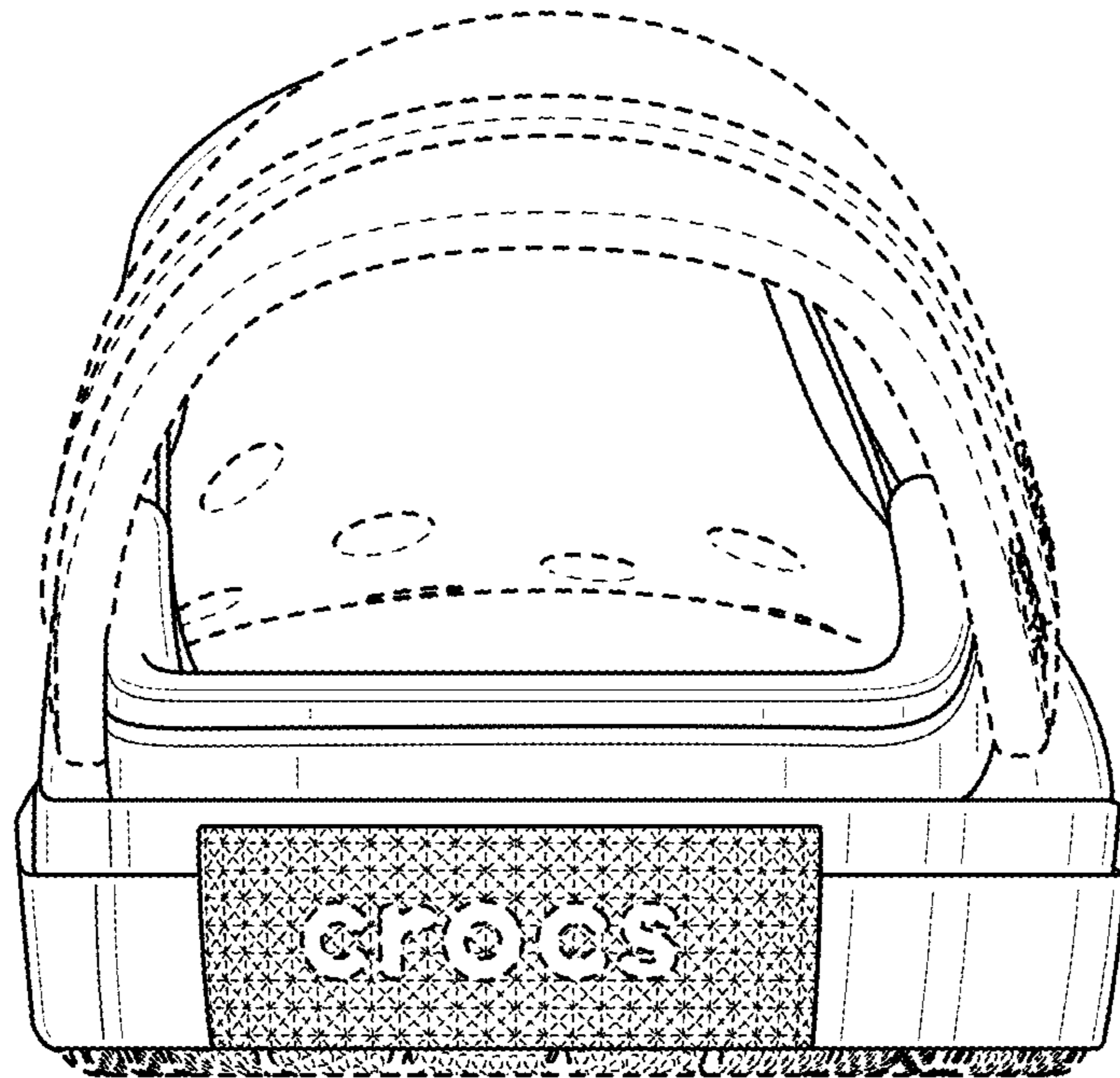


FIG. 3

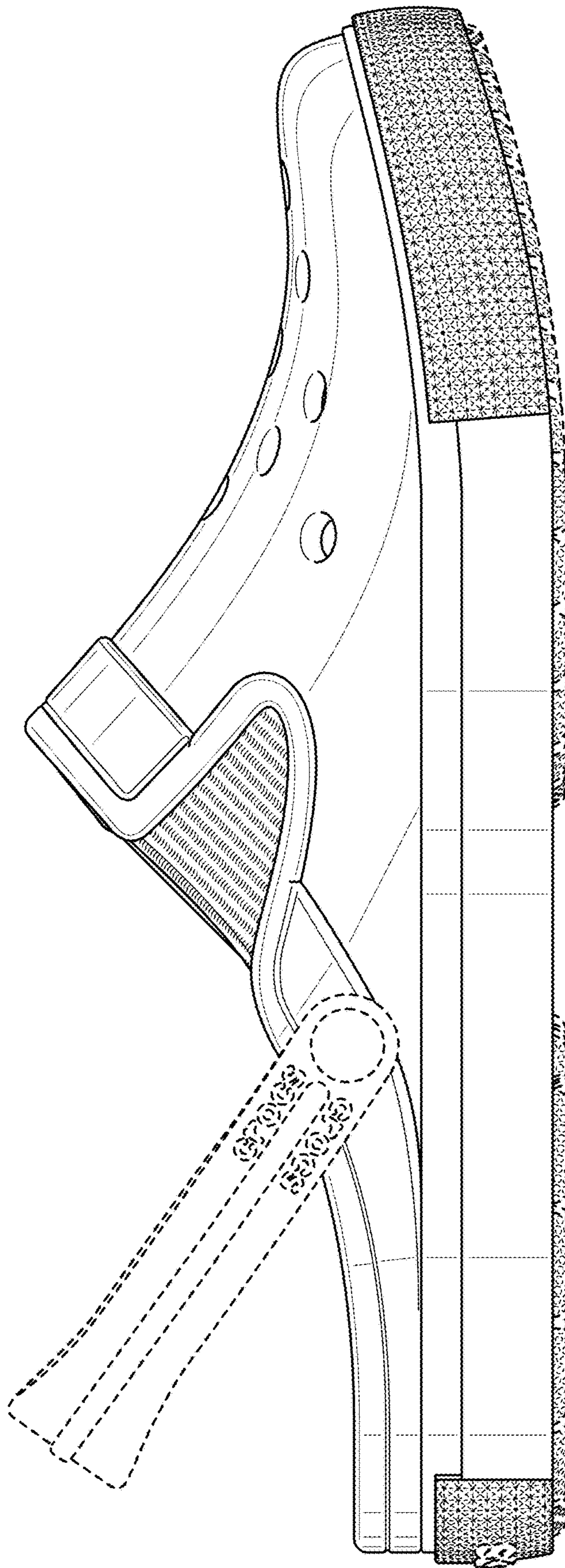


FIG. 4

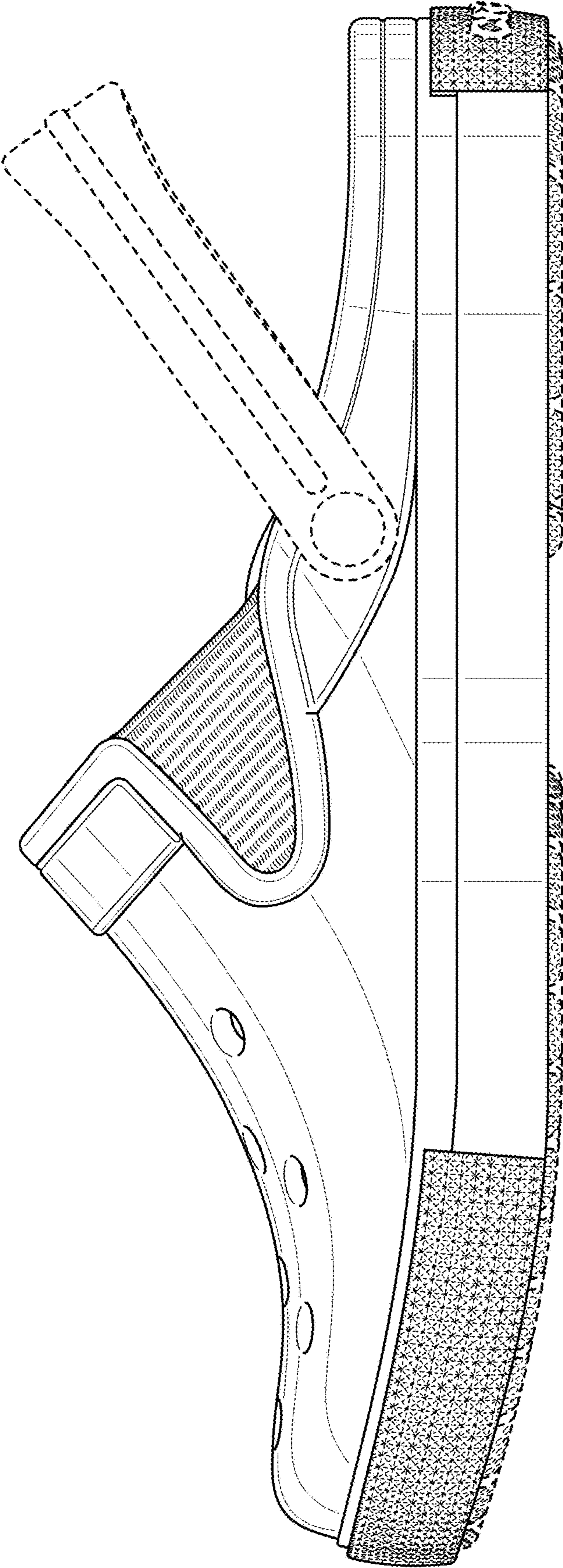


FIG. 5

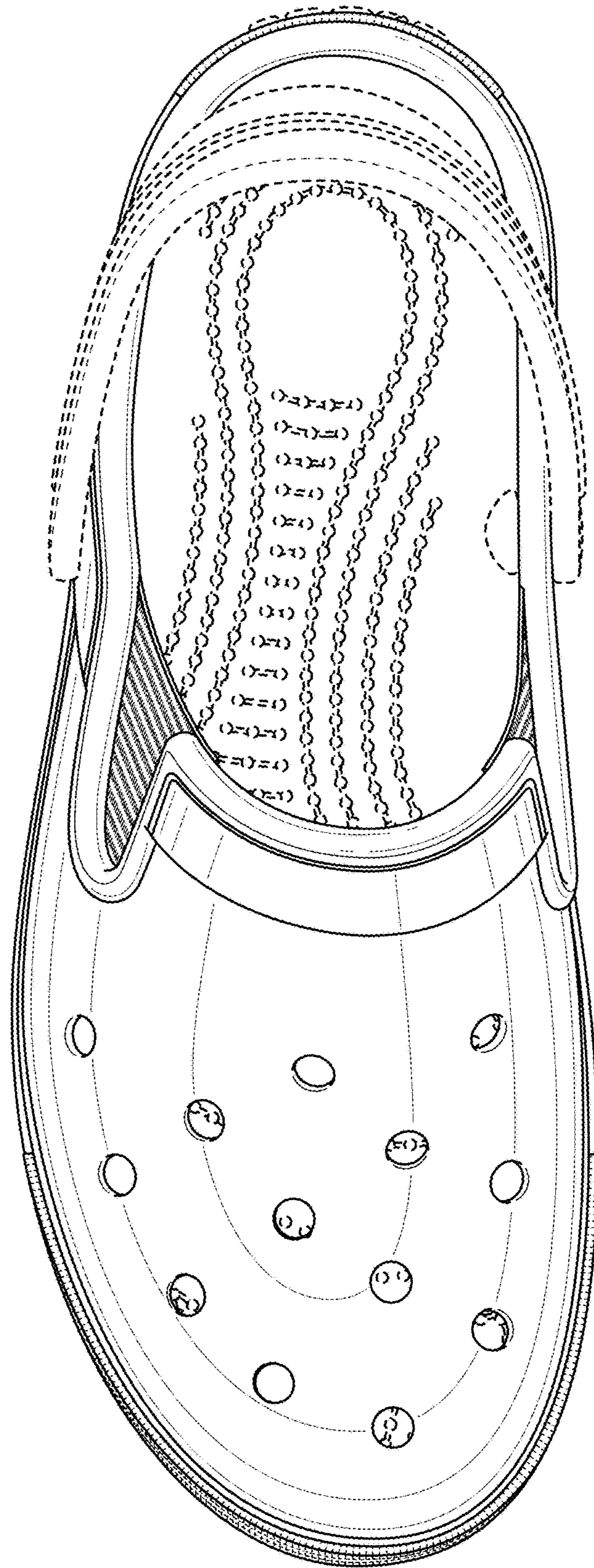


FIG. 6

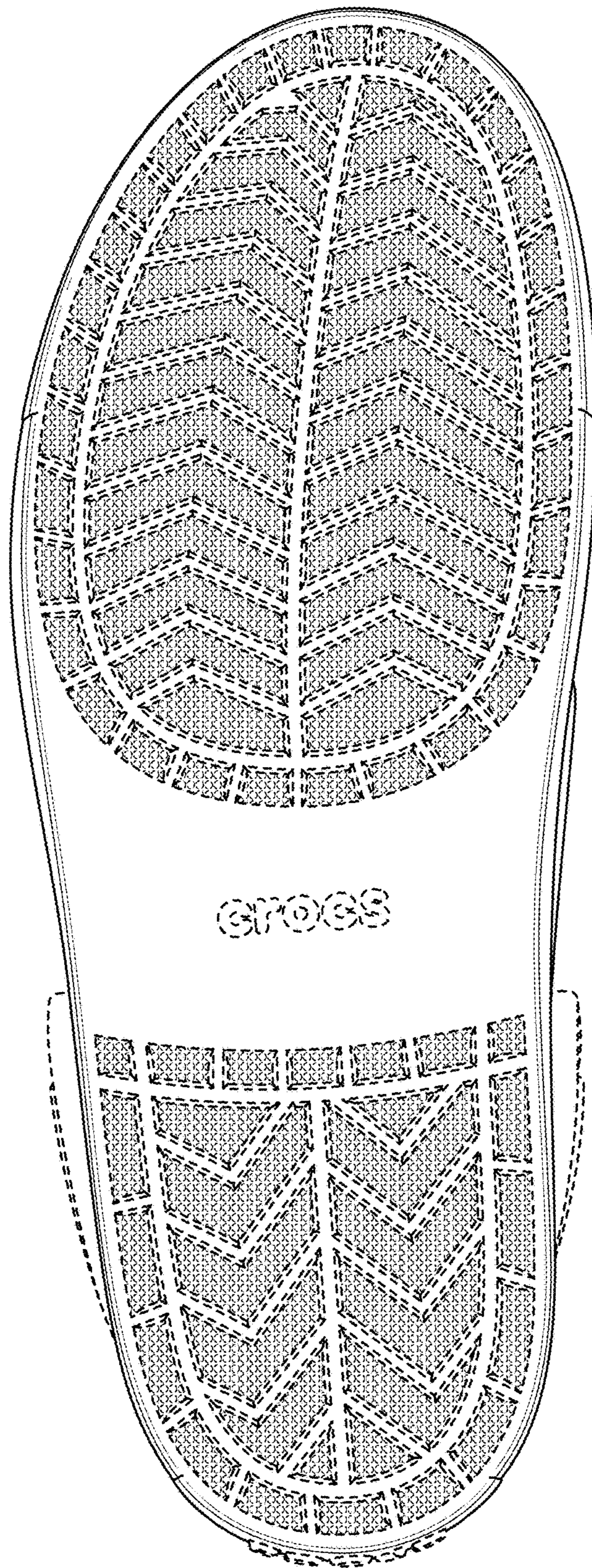


FIG. 7